

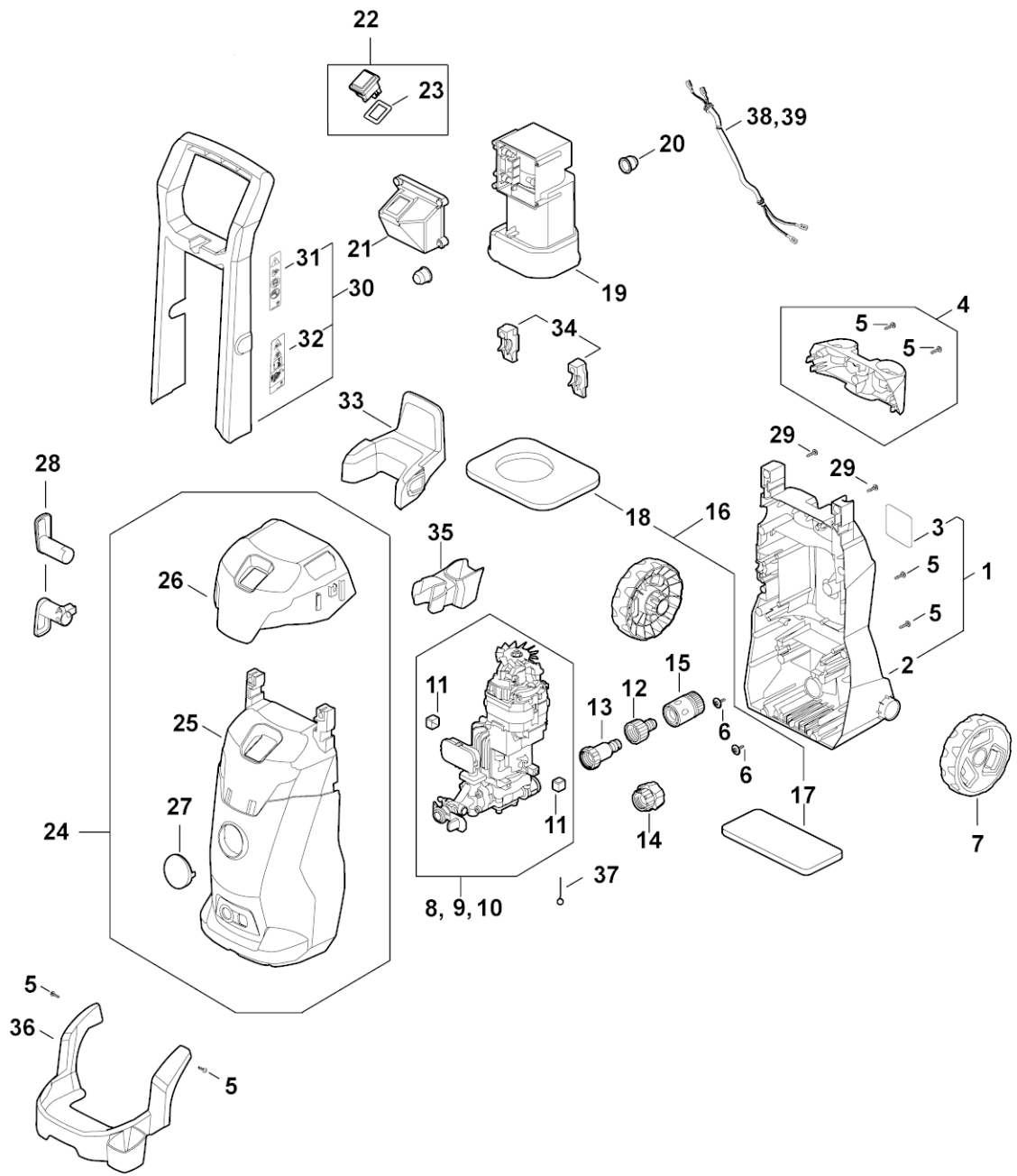
RE 90.0

Spare Parts List**02/08/2023****Indonesia, English**

Contents

Chassis, Air baffle, Shroud, Switch housing	2
Electric motor, Connecting cable, Valve block, Pump	5
Spray gun, Spray lance/wand	7
Accessories RE 80 - 170 PLUS	9
Accessories RE 80 - 170 PLUS	12
Serial number	14
Cleaning products	16
Cleaning products	18
Cleaning products	20
Screwdriver	22
Socket, T20x125	24
Press sleeve	26
Socket, 6 mm	28
Torque wrench with optical/acoustic signal	30
Screwdriver, T20	32
Screwdriver, T10	34
Screwdriver, Q-5x150	36
Assembly hook	38
Punchdown tool	40

Chassis, Air baffle, Shroud, Switch housing



RE02-GET-0006-A1

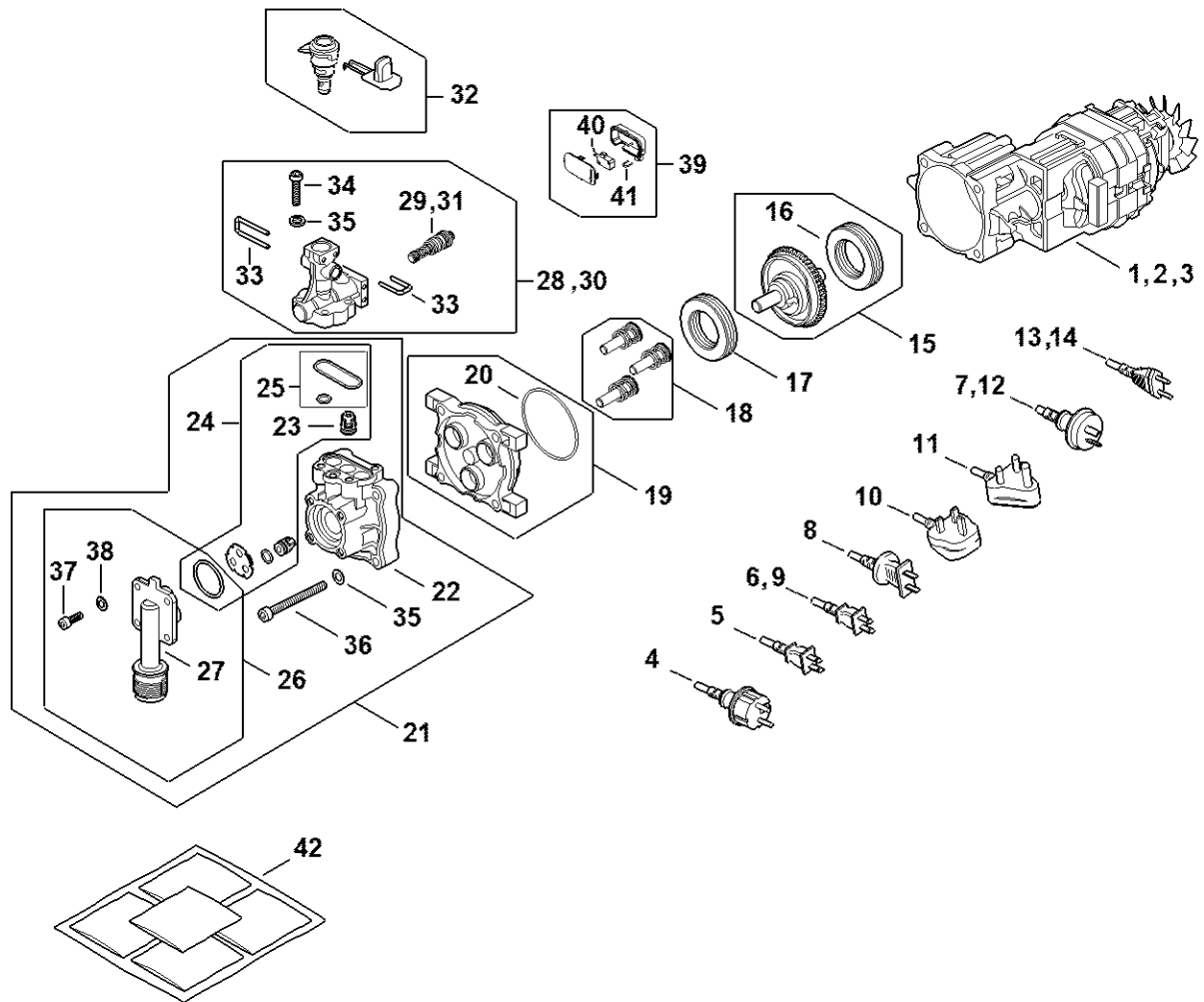
Chassis, Air baffle, Shroud, Switch housing

#	Part Number	Description	Quantity	Contains Item(s)	Remarks
2	RE02 791 7503	Rear cover	1		
4	RE02 500 7510	Nozzle holder	1	5	
5	RE02 951 3509	Screw IS-P4x16	22		10 pieces
6	RE02 951 3508	Screw ST4 x 12	2		10 pieces
7	RE02 790 5711	Wheel	1		
8	RE02 600 0625	Motor pump unit	1	11	
11	RE02 602 4301	Buffer	2		
12	RE02 513 1100	Hose connector	1		
16	RE02 519 0110	Gasket	1	17, 18	
17	RE02 609 0207	Gasket	1		
18	RE02 609 0200	Gasket	1		
19	RE02 602 2200	Air baffle	1		
20	RE02 602 4300	Buffer	2		
21	RE02 432 1004	Switchbox	1		
22	RE02 430 0503	Switch	1	23	
23	RE02 432 1300	Gasket	1		
24	RE02 790 5112	Cover	1	25 - 27	
25	RE02 791 7504	Front cover	1		
26	RE02 791 7505	Cover top	1		
27	RE02 967 1502	Model plate HPC 90	1		
28	RE02 440 3510	Lead retainer	1		
29	RE02 951 3507	Screw ST4 x 16	2		10 pieces
30	RE02 790 5610	Handle frame	1	31, 32	
31	RE02 967 7202	Warning pictogram RE 91/101	1		
32	RE02 967 7203	Warning pictogram RE 91/101	1		
33	RE02 791 4903	Handle frame	1		
34	RE02 700 8910	Cover	1		

Chassis, Air baffle, Shroud, Switch housing

#	Part Number	Description	Quantity	Contains Item(s)	Remarks
35	RE02 791 5402	Support	1		
36	RE02 798 1701	Foot	1		
37	RE02 502 0800	Cleaning pin	1		
38	RE02 440 1900	Lead	1		

Electric motor, Connecting cable, Valve block, Pump

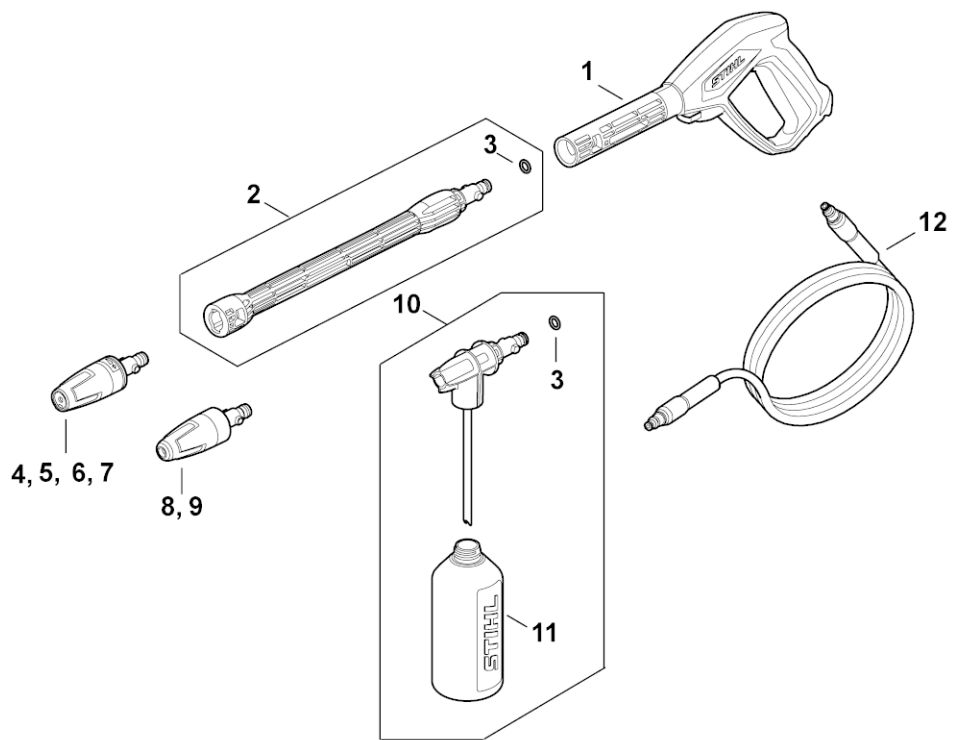


RE02-GET-0019-40

Electric motor, Connecting cable, Valve block, Pump

#	Part Number	Description	Quantity	Contains Item(s)	Remarks
1	RE02 600 0215	Electric motor 220-240 V/50/60 Hz	1		
4	RE02 440 2020	Connecting cable	1		
15	RE02 760 8700	Swash plate 11,8°	1	16	
18	RE02 760 7010	Set of pistons	1		
19	RE02 640 3010	Pump housing	1	20	
20	RE02 502 6100	O-ring 68.5x2.2	1		10 pieces
21	RE02 700 4610	Valve block	1	22 - 27, 35 - 38	
23	RE02 700 6210	Valve	1		6 pieces
24	RE02 700 6220	Set of valves	1	23, 25	
25	RE02 007 0810	Set O-ring	1		
26	RE02 790 7110	Connector	1	27, 37, 38	
27	RE02 701 6500	Connector	1		
28	RE02 670 3614	Water connection	1	29, 33 - 35	
29	RE02 510 0913	Pressure relief valve	1		
32	RE02 670 3620	Water connection	1		
33	RE02 710 6610	Bow	1		
34	RE02 951 3505	Screw M6x25	4		
35	RE02 518 0602	Washer	1		10 pieces
36	RE02 951 3506	Screw M6x60	4		
37	RE02 951 3504	Screw M5x15	4		
38	RE02 518 0601	Washer	1		10 pieces
39	RE02 430 0510	Switch	1	40, 41	
40	RE02 430 0501	Switch	2		
41	RE02 701 4600	Bow	1		10 pieces
42	4950 007 1012	Kit grease bag (5x2g)	1		5 pieces

Spray gun, Spray lance/wand

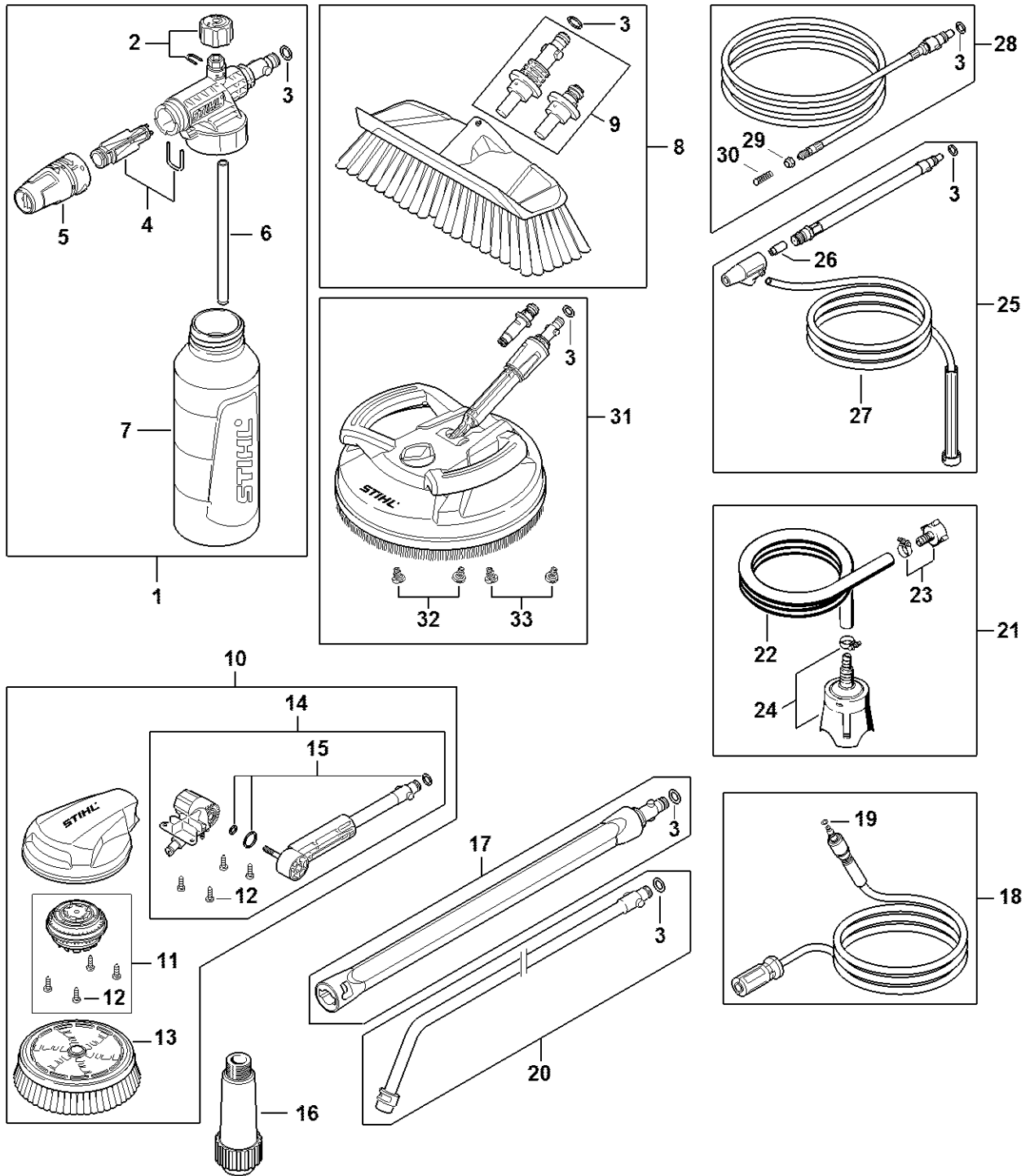


RE02-GET-0008-A1

Spray gun, Spray lance/wand

#	Part Number	Description	Quantity	Contains Item(s)	Remarks
1	RE02 500 1300	Spray gun	1		
2	RE02 500 0900	Spray lance/wand	1	3	
3	RE02 609 0201	Sealing ring	2		
4	RE02 530 0004	Fan jet nozzle	1		
9	RE02 500 1606	Rotary nozzle	1		
10	RE02 500 5600	Spray set	1	3, 11	
11	RE02 507 0100	Detergent bottle	1		
12	RE02 500 0801	High-pressure hose 6m	1		

Accessories RE 80 - 170 PLUS



4910-GET-0018-AG

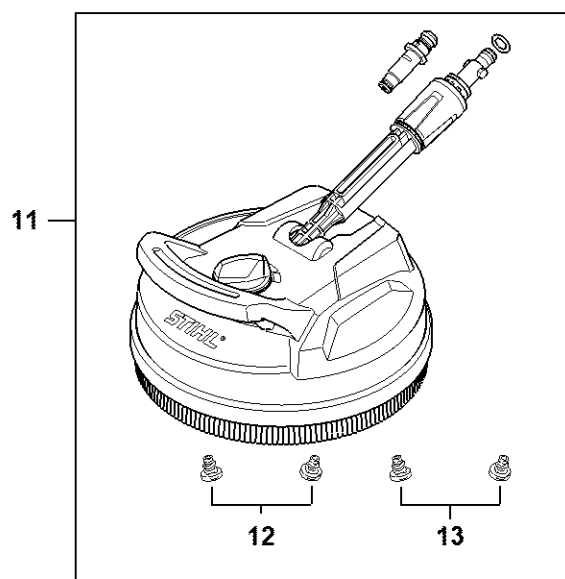
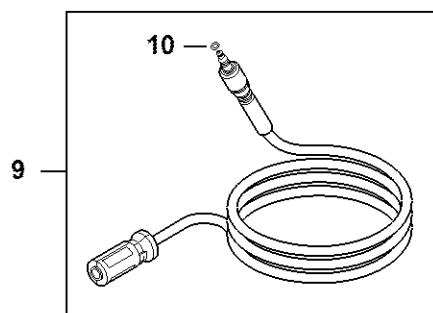
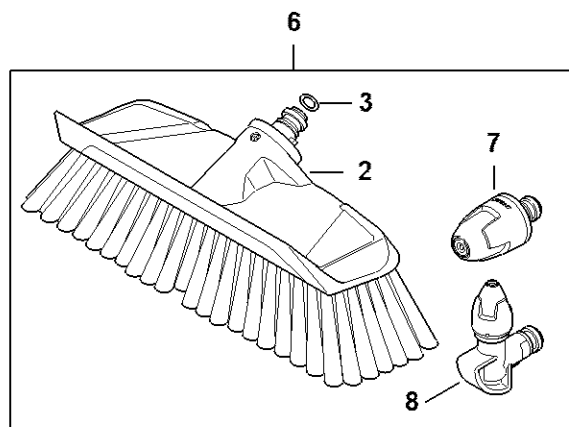
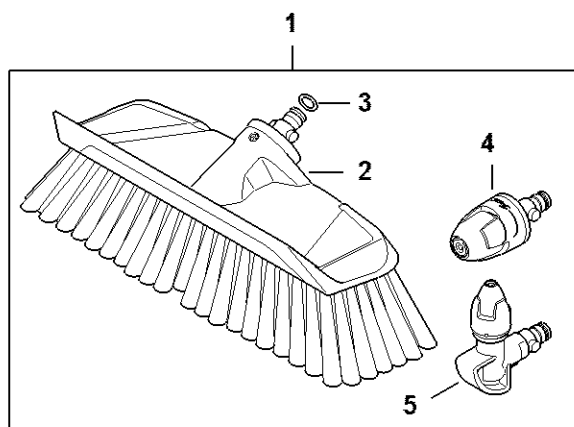
Accessories RE 80 - 170 PLUS

#	Part Number	Description	Quantity	Contains Item(s)	Remarks
1	4910 500 9600	Foam nozzle	1	2 - 7	
2	4910 530 0500	Adjusting screw	1		
3	9645 953 0762	O-ring N9,19x2,62-FKM90	1		
4	4910 500 6305	Nozzle	1		
5	4910 530 0400	Protective cap	1		
6	4910 530 0600	Hose	1		
7	4910 507 0100	Detergent bottle	1		
8	4910 500 6000	Washing brush	1	3, 9	
9	4910 500 4800	Connector	1		
10	4910 500 5900	Rotary washing brush	1	11 - 15	
11	4910 500 2000	Gear head	1	12	
12	4910 951 3505	Screw P5x15 - T20	4		
13	4910 504 2700	Brush strip	1		
14	4910 500 0701	Joint	1	12, 15	
15	4910 007 0800	Set O-ring	1		
16	4910 500 5400	Water filter	1		
17	4910 500 0900	Spray lance/wand straight 0,43 m	1	3	
18	4910 500 0802	High-pressure hose DN06 9 m	1	19	
19	9645 948 3076	O-ring N5,1x1,6-TPE-U95	1		
20	4910 500 1900	Spray lance/wand, angle 1,08 m	1	3	
21	4910 500 0500	Suction hose 3 m	1	22 - 24	
22	4910 501 0500	Hose Ø20,5-Ø13 - 3m	1		
23	4910 500 0100	Hose connector	1		
24	4910 500 2401	Pickup body	1		
25	4910 500 1800	Wet sand jet-stream appliance	1	3, 26, 27	
26	4910 502 1007	Nozzle	1		
27	4910 500 5200	Hose	1		

Accessories RE 80 - 170 PLUS

#	Part Number	Description	Quantity	Contains Item(s)	Remarks
28	4910 500 8000	Pipe cleaning kit 15 m	1	3, 29, 30	
29	4910 503 0200	Union nut	1		
30	4910 500 6800	Guide	1		
31	4910 500 3901	Surface cleaner RA 110	1	3, 32, 33	
32	4910 500 6303	Nozzle	1		(Black)
33	4910 500 6302	Nozzle	1		white

Accessories RE 80 - 170 PLUS

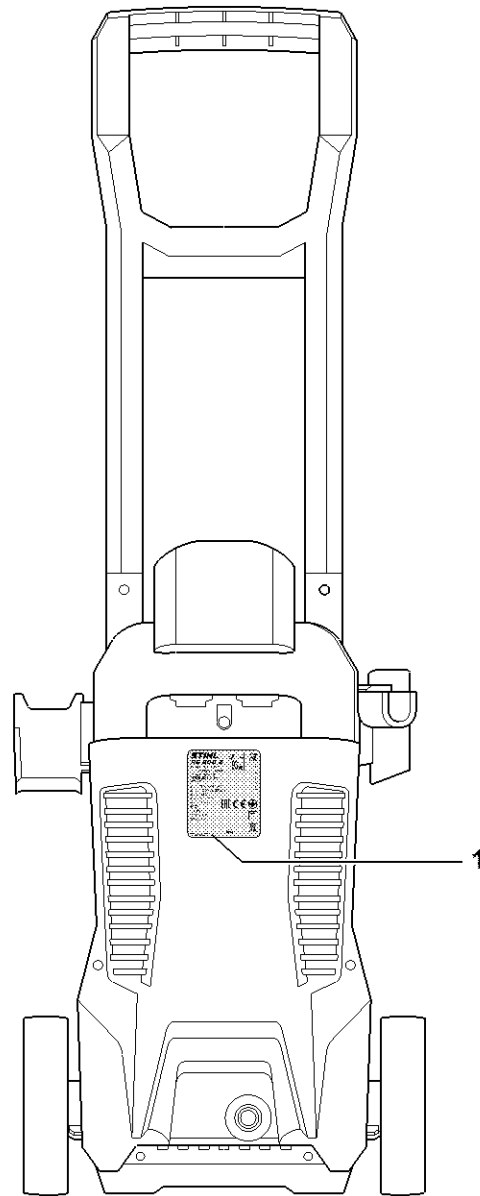


4910-GET-0019-A1

Accessories RE 80 - 170 PLUS

#	Part Number	Description	Quantity	Contains Item(s)	Remarks
1	4910 500 6101	Vehicle cleaning kit	1	2 - 5	
2	4910 500 6000	Washing brush	1		
3	9645 953 0762	O-ring N9,19x2,62-FKM90	1		
4	4910 500 6306	Nozzle	1		
5	4910 500 6307	Nozzle curved	1		
6	4910 500 6100	Vehicle cleaning kit	1	2, 3, 7, 8	
7	4910 500 6300	Nozzle	1		
8	4910 500 6301	Nozzle curved	1		
9	4950 500 0800	High-pressure hose DN 6, 7 m, textile braided	1	10	
10	9645 951 3076	O-ring 5,1x1,6-FKM90	1		
11	4910 500 3902	Surface cleaner RA 90	1	12, 13	
12	4910 500 6302	Nozzle	1		
13	4910 500 6303	Nozzle	1		

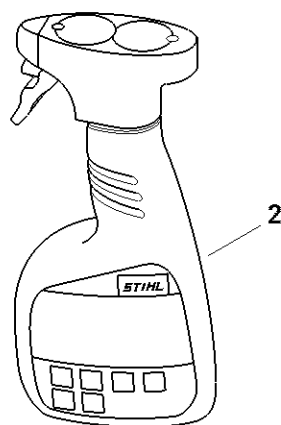
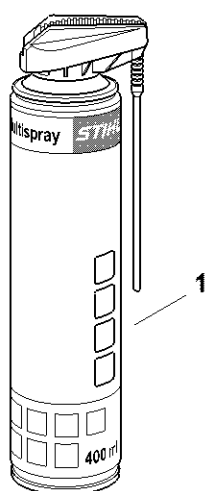
Serial number



Serial number

#	Part Number	Description	Quantity	Contains Item(s)	Remarks
1		Position of serial number	1		

Cleaning products

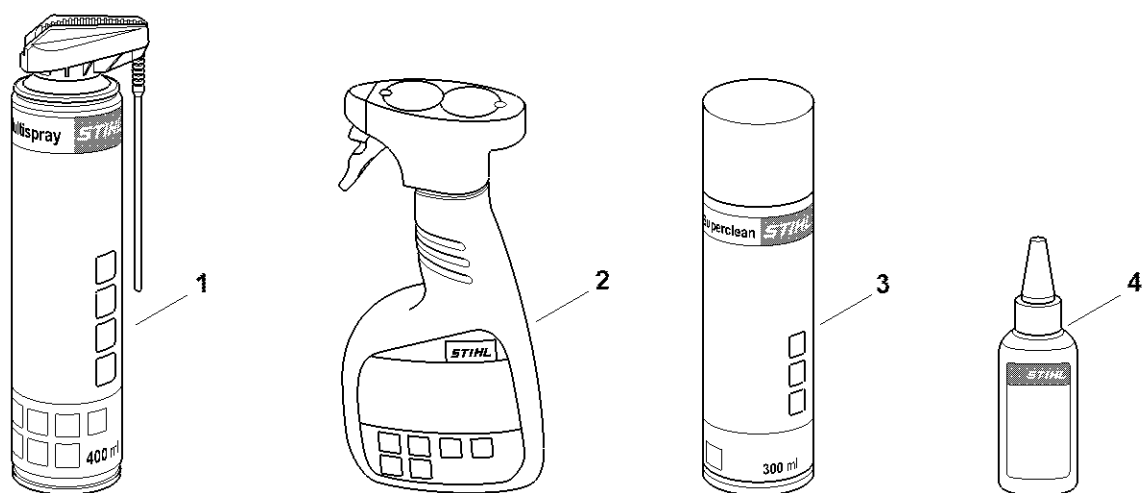


0000-GET-0172-A0

Cleaning products

#	Part Number	Description	Quantity	Contains Item(s)	Remarks
1	0730 411 7002	Multispray 50 ml	1		
1	0730 411 7000	Multispray	1		
2	0000 881 9400	VarioClean 500 ml	1		
2	0000 881 9409	Special cleaner 5 l	1		
3	0782 516 8500	Multioil Bio 50 ml	1		

Cleaning products

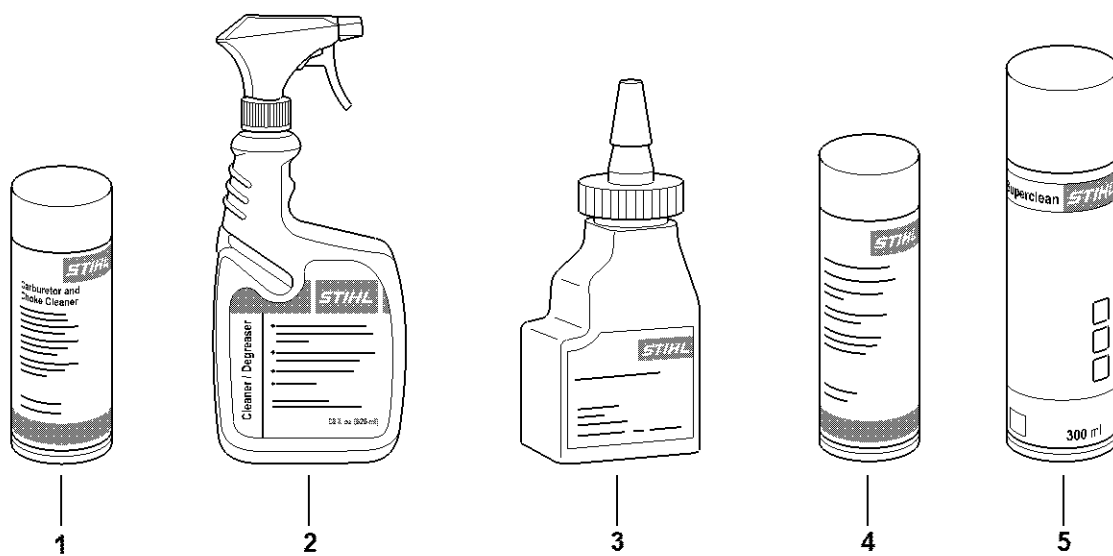


0000-GET-0171-A0

Cleaning products

#	Part Number	Description	Quantity	Contains Item(s)	Remarks
1	0730 411 7002	Multispray 50 ml	1		
1	0730 411 7000	Multispray	1		
2	0000 881 9400	VarioClean 500 ml	1		
2	0000 881 9409	Special cleaner 5 l	1		
3	0782 420 1001	SuperClean 50 ml	1		
3	0782 420 1002	SuperClean 300 ml	1		
4	0782 516 8500	Multioil Bio 50 ml	1		

Cleaning products

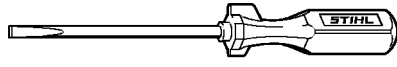


0000-GET-0173-A0

Cleaning products

#	Part Number	Description	Quantity	Contains Item(s)	Remarks
1	7010 881 9400	Carb & Choke Cleaner (11oz) - 6P	1		
2	7010 881 9401	Heavy Duty Degreaser (28 oz) - 6P	1		
2	7010 871 0214	Heavy Duty Degreaser - 1 gal.	1		
3	7010 871 0198	General purpose oil 4 oz.	1		
4	7010 881 9402	Multi Purpose Penetrating Oil (10oz) 6P	1		
5	0782 420 1002	SuperClean 300 ml	1		
5	7010 871 0157	HEDGE TRIMMER BLADE CLEANER 6 PACK	1		

Screwdriver

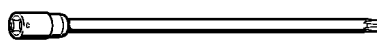


901 SW/558 CM

Screwdriver

#	Part Number	Description	Quantity	Contains Item(s)	Remarks
	0000 890 2300	Screwdriver	1		

Socket, T20x125



901SW090 GM

Socket, T20x125

#	Part Number	Description	Quantity	Contains Item(s)	Remarks
	0812 542 2041	Driver bit, 1/4" square drive, T20x125	1		

Press sleeve

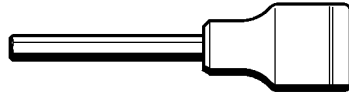


901SW230 KN

Press sleeve

#	Part Number	Description	Quantity	Contains Item(s)	Remarks
	1122 893 2405	Press sleeve	1		

Socket, 6 mm

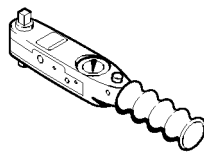


901SW421 KN

Socket, 6 mm

#	Part Number	Description	Quantity	Contains Item(s)	Remarks
	5910 890 0107	Socket, 6 mm	1		

Torque wrench with optical/acoustic signal

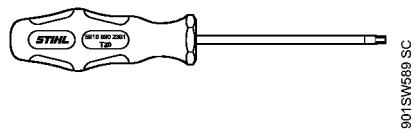


901SW292 KN

Torque wrench with optical/acoustic signal

#	Part Number	Description	Quantity	Contains Item(s)	Remarks
		Torque wrench	1		

Screwdriver, T20



Screwdriver, T20

#	Part Number	Description	Quantity	Contains Item(s)	Remarks
	5910 890 2301	Screwdriver, T20	1		

Screwdriver, T10

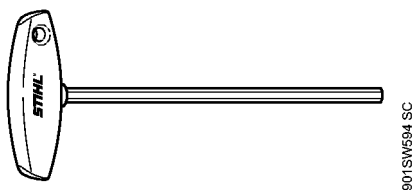


901SW687 SC

Screwdriver, T10

#	Part Number	Description	Quantity	Contains Item(s)	Remarks
	5910 890 2308	Screwdriver, T10	1		

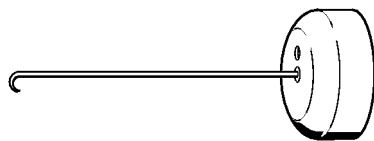
Screwdriver, Q-5x150



Screwdriver, Q-5x150

#	Part Number	Description	Quantity	Contains Item(s)	Remarks
	5910 890 2410	Screwdriver, Q-5x150	1		

Assembly hook

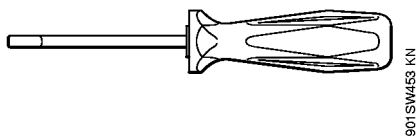


901SW205 GM

Assembly hook

#	Part Number	Description	Quantity	Contains Item(s)	Remarks
	5910 890 2800	Assembly hook	1		

Punchdown tool



Punchdown tool

#	Part Number	Description	Quantity	Contains Item(s)	Remarks
	5910 890 4000	Punchdown tool	1		