

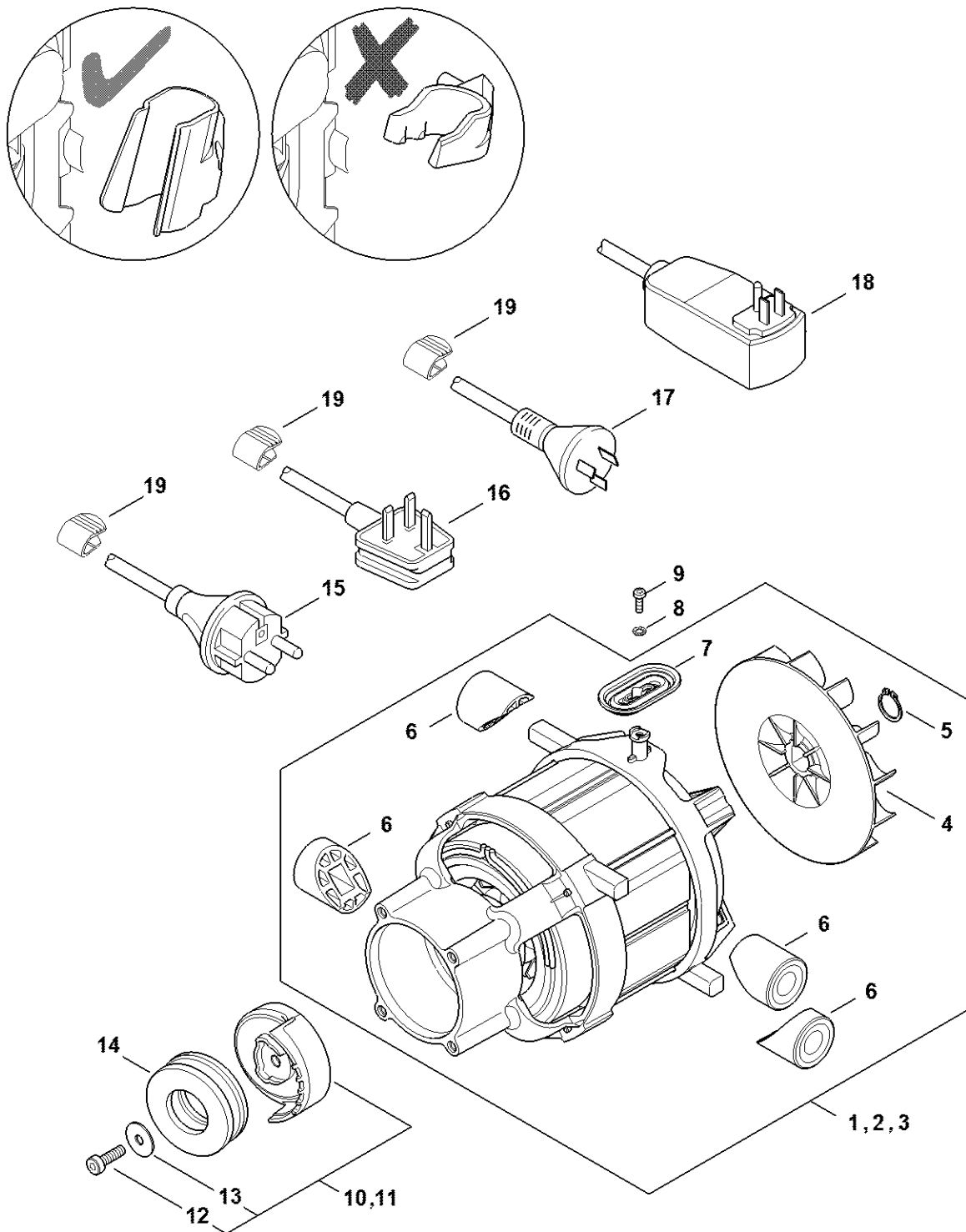
RE 110 PLUS

Spare Parts List**02/08/2023****Indonesia, English**

Contents

Electric motor, Connecting cable	2
Pump, valve block	4
Chassis	6
Air baffle, Machine cover, Switch housing	8
Hose reel	10
Spray gun, Spray lance/wand	12
Accessories RE 80 - 170 PLUS	14
Accessories RE 105.0 X - 145.0	17
Accessories RE 80 - 170 PLUS	19
Serial number	21
Socket, T20x125	23
Installing sleeve	25
Torque wrench with optical/acoustic signal	27
Removing tool M6	29
Socket, 6 mm	31
Screwdriver, T20	33
Screwdriver	35
Pliers A10	37
Socket, T27x125	39
Assembly drift	41
Screwdriver, T10	43
Screwdriver, T27x200	45
Assembly hook	47
Punchdown tool	49

Electric motor, Connecting cable

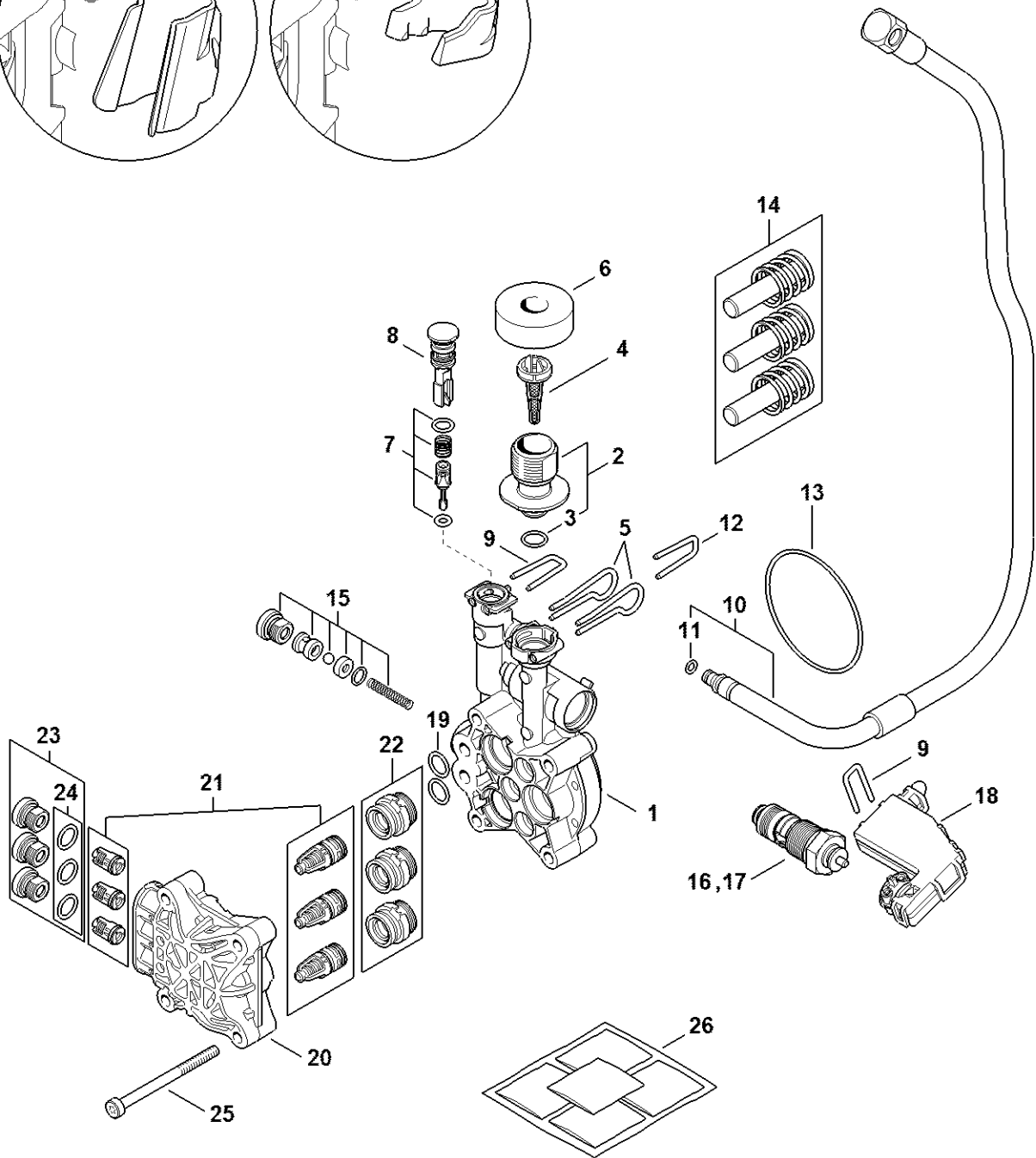
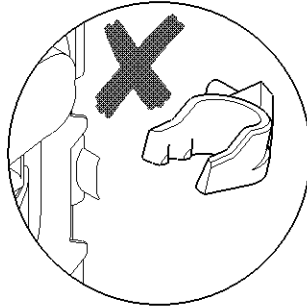
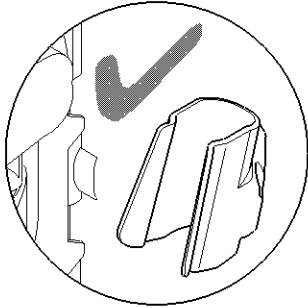


4950-GET-0076-A0

Electric motor, Connecting cable

#	Part Number	Description	Quantity	Contains Item(s)	Remarks
1	4950 600 0200	Electric motor 220-240V/50, 60 Hz, 1.7 kW	1	4 - 7	
4	4950 607 3000	Fan wheel	1		
5	9455 621 1800	Circlip 17x1	1		
6	4950 602 4300	Buffer	4		
7	4950 505 0200	Grommet	1		
8	9330 421 0100	Shakeproof washer DIN6798-A4,3	1		
9	9022 313 0658	Spline screw IS-M4x12	1		
10	4950 760 8708	Swash plate 8,9°	1	12, 13	
12	9022 341 1300	Spline screw IS-M6x20	1		
13	9291 021 3865	Washer 6.1x22x2	1		
14	9507 003 0633	Grooved ball bearing DIN711-30x60x21	1		
15	4950 440 2000	Connecting cable EU, RU	1		
19	4950 703 3100	Cable clip	1		

Pump, valve block

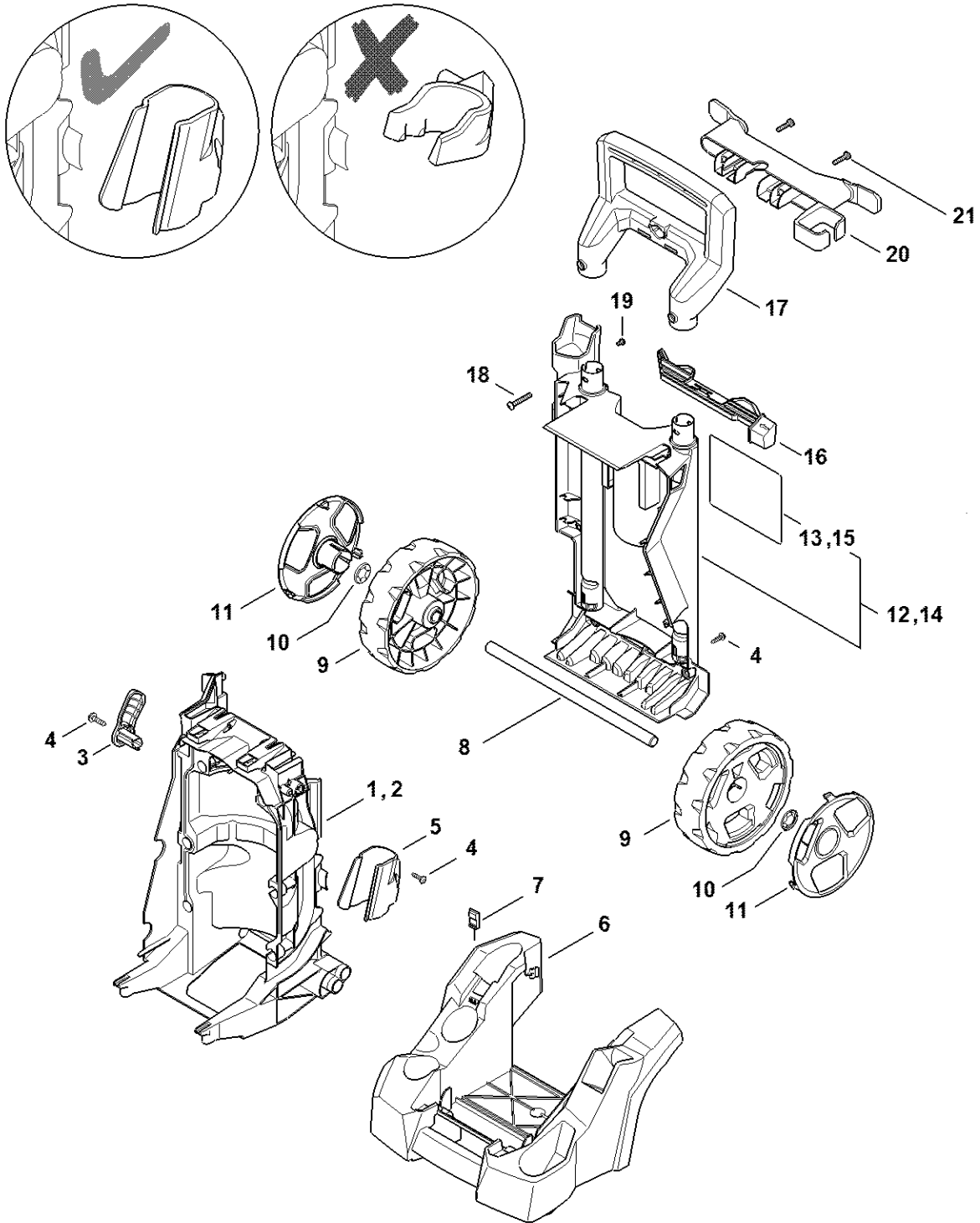


4950-GET-0124-A0

Pump, valve block

#	Part Number	Description	Quantity	Contains Item(s)	Remarks
1	4950 647 0404	Pump housing	1		
2	4950 790 7100	Connector	1	3	
3	9645 948 1075	O-ring N11,5x1,78-NBR90	1		
4	4950 502 2100	Strainer	1		
5	4950 701 4602	Retainer	2		
6	4950 609 0202	Sealing ring	1		
7	4950 510 0204	Non-return valve	1		
8	4950 770 0501	Cup plug	1		
9	4950 701 4600	Retainer	2		
10	4950 670 0800	High-pressure hose DN 6	1		
11	4950 007 0800	Set O-ring N5,1x1,6-FKM90	1		10 pieces
12	4950 701 4600	Retainer	1		
13	9645 948 8525	O-ring N74x2-NBR90	1		
14	4950 760 7001	Set of pistons	1		
15	4950 510 3500	Valve insert	1		
16	4950 510 0305	Control piston	1		
18	4950 430 0503	Switch	1		
19	4950 007 0801	Set O-ring N12x2-NBR70	2		10 pieces
20	4950 701 1200	Valve block	1		
21	4950 700 6200	Valve	1		6 pieces
22	4950 007 1008	Set of gaskets piston	1		
23	4950 700 2300	Screw plug	1	24	3 pieces
24	4950 007 0803	Set O-ring N11,5x2 NBR90	1		3 pieces
25	9022 346 1475	Spline screw IS-M6x80-12.9	4		
26	4950 007 1012	Kit grease bag (5x2g)	1		5 pieces

Chassis

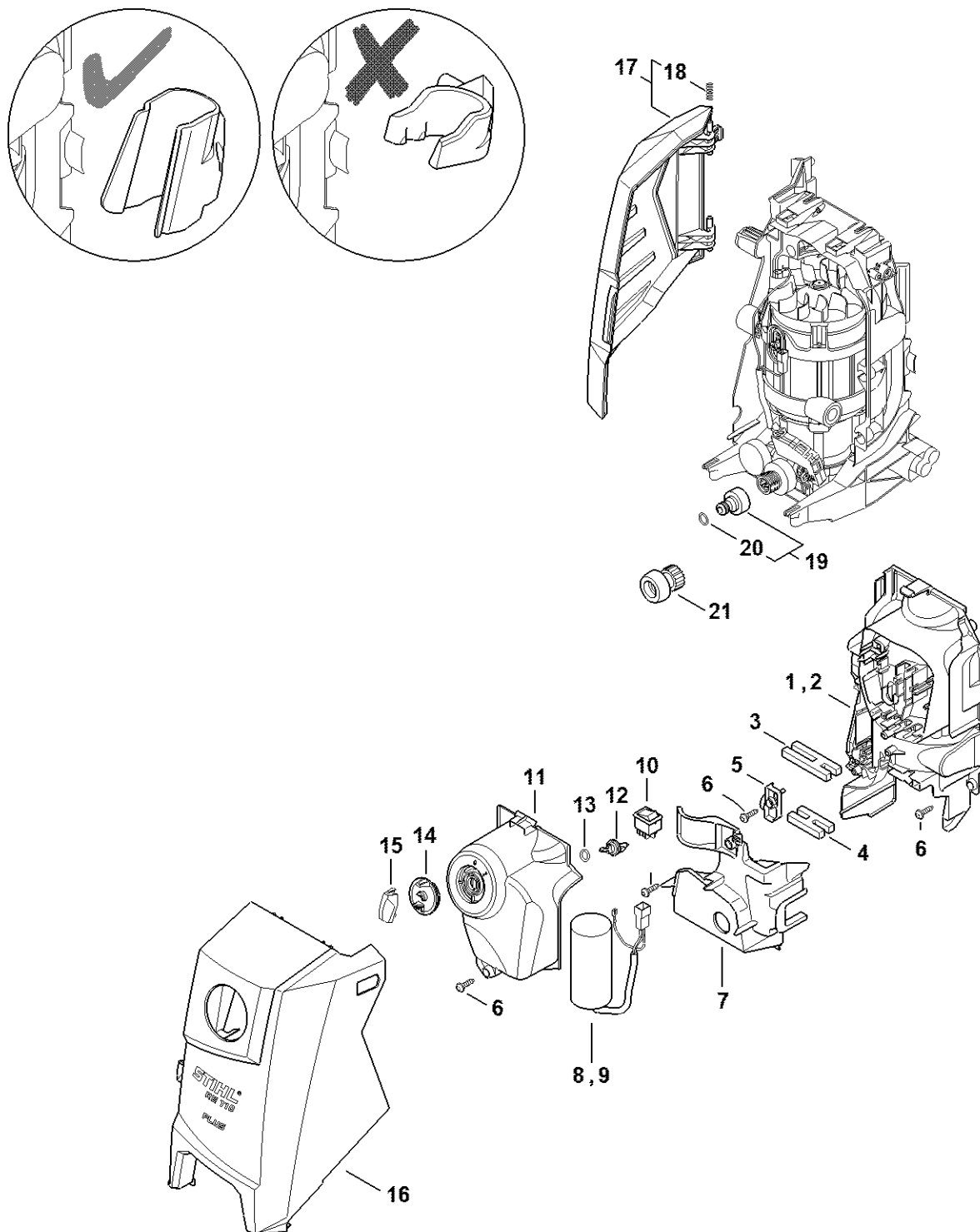


4950-GET-0050-A0

Chassis

#	Part Number	Description	Quantity	Contains Item(s)	Remarks
1	4950 791 3500	Frame	1		
2	4950 791 3502	Frame	1		
3	4950 792 2400	Lead retainer	1		
4	9074 478 4129	Pan head self-tapping screw IS P5x18	9		
5	4950 791 5407	Support	1		
6	4950 798 1705	Foot RE 110	1		
7	4950 502 0801	Cleaning pin	1		
8	4950 791 7002	Axle	1		
9	4950 791 3600	Wheel Ø 150 mm	2		
10	9991 003 1146	Quick-action fastener Ø 15x28.2x2.3	2		
11	4950 704 0302	Wheel cap Ø 150 mm	2		
12	4950 790 5104	Rear Cover RE 110-140 PLUS RoW	1	13	
13	RE02 967 3400	Instruction label	1		
16	4950 760 8901	Adjuster	1		
17	4950 791 4904	Handle frame	1		
18	4950 791 8300	Nut	2		
19	9110 318 0630	Flat head screw ISO7045-M4-10-8-H	2		
21	9074 478 4127	Pan head self-tapping screw P5x22-H	2		

Air baffle, Machine cover, Switch housing

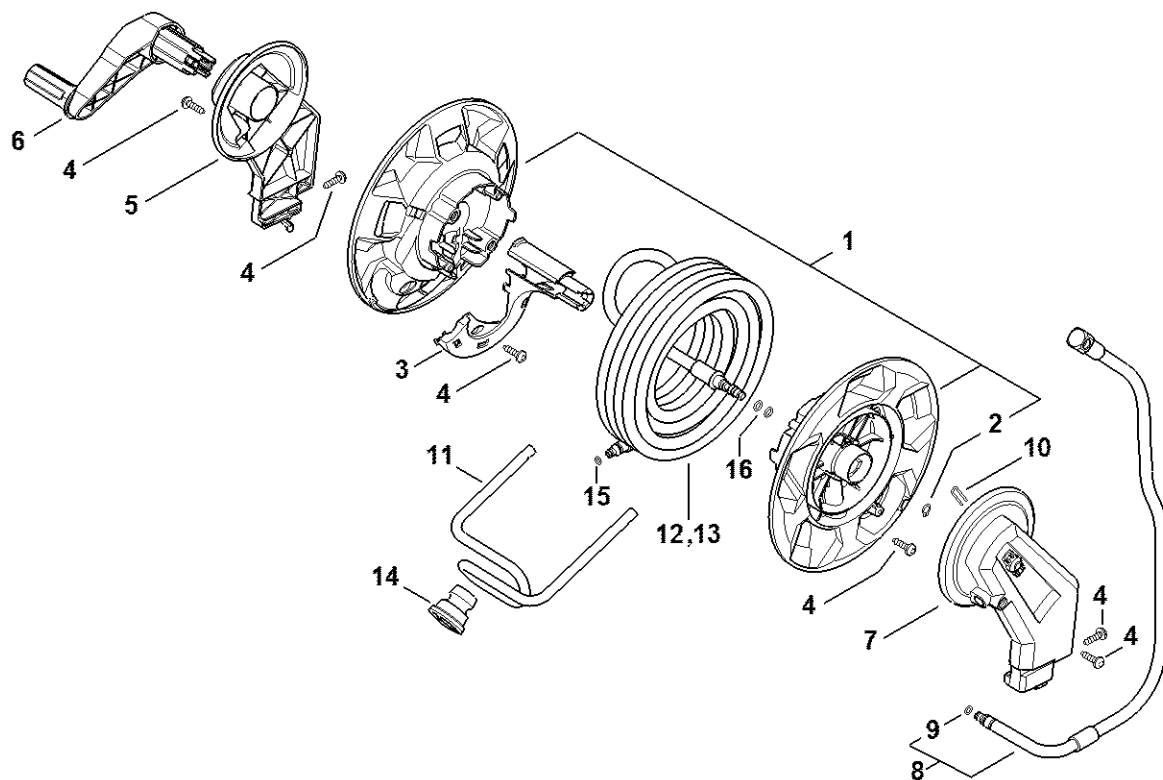
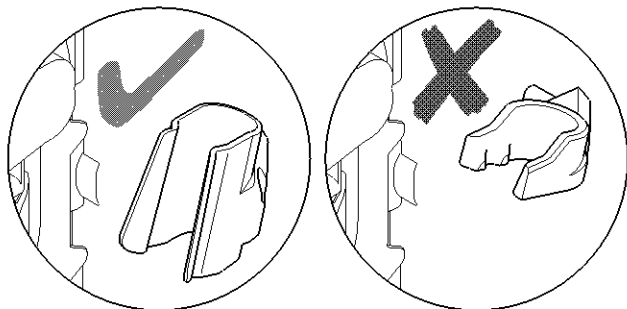


4850-GET-002-40

Air baffle, Machine cover, Switch housing

#	Part Number	Description	Quantity	Contains Item(s)	Remarks
1	4950 602 2200	Air baffle	1		
3	4950 799 0200	Sealing strip	1		
4	4950 799 0202	Sealing strip	1		
5	4950 431 2500	Cable clamp	1		
6	9074 478 4129	Pan head self-tapping screw IS P5x18	8		
7	4950 706 0702	Cover Above Serial Number: 82204403	1		
8	4950 605 1007	Capacitor 35 μ F 500 V Above Serial Number: 82204403	1		
10	4950 430 0504	Switch	1		
11	4950 432 1000	Switchbox	1		
12	4950 435 4100	Control cam	1		
13	9645 945 7576	O-ring N10,77x2,62-NBR60	1		
14	4950 435 1000	Knob	1		
15	4950 706 4102	Cap	1		
16	4950 700 2105	Front Cover	1		
17	4950 700 8900	Cover	1	18	
18	0000 997 2026	Compression spring	1		
19	4950 700 7300	Hose connector	1	20	
20	9645 945 1072	O-ring N 11,5x2,65 EPDM65	1		

Hose reel

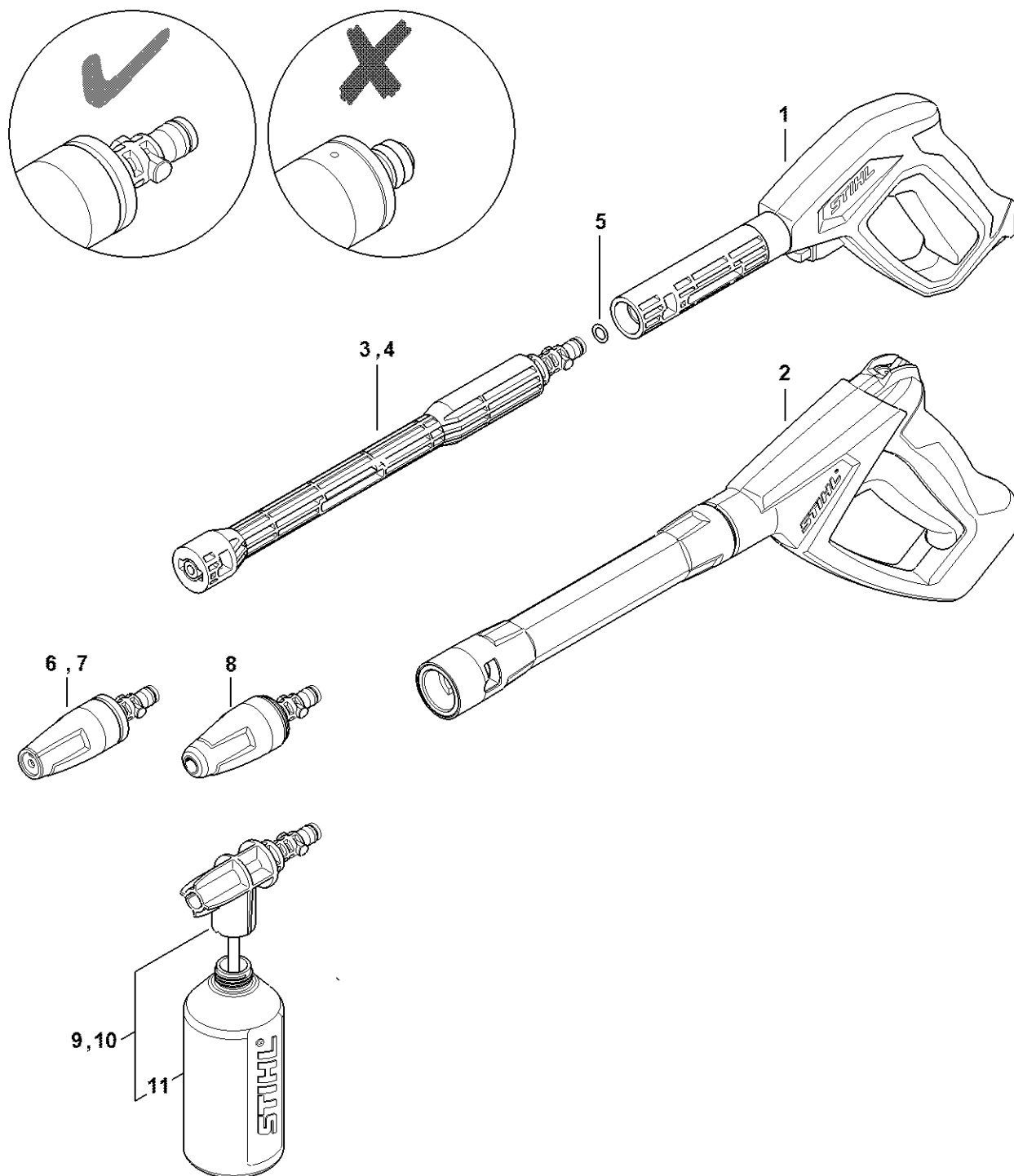


485D-GET-0084-A0

Hose reel

#	Part Number	Description	Quantity	Contains Item(s)	Remarks
1	4950 500 8100	Hose reel	1	2	
2	9455 621 0750	Circlip 9x1	1		
3	4950 793 1803	Hose guide	1		
4	9074 478 4129	Pan head self-tapping screw IS P5x18	7		
5	4950 798 1904	Guide	1		
6	4950 790 7400	Crank	1		
7	4950 798 1902	Guide	1		
8	4950 670 0800	High-pressure hose DN 6	1	9	
9	4950 007 0800	Set O-ring N5,1x1,6-FKM90	1		10 pieces
10	4950 701 4604	Retainer	1		
11	4950 793 1800	Hose guide	1		
12	4950 500 0814	High-pressure hose	1		
14	4950 678 2000	Rubber ring	1		
15	9645 951 3076	O-ring 5.1x1.6-FKM90	1		
16	9645 948 7402	O-ring--TPE-U95	2		

Spray gun, Spray lance/wand

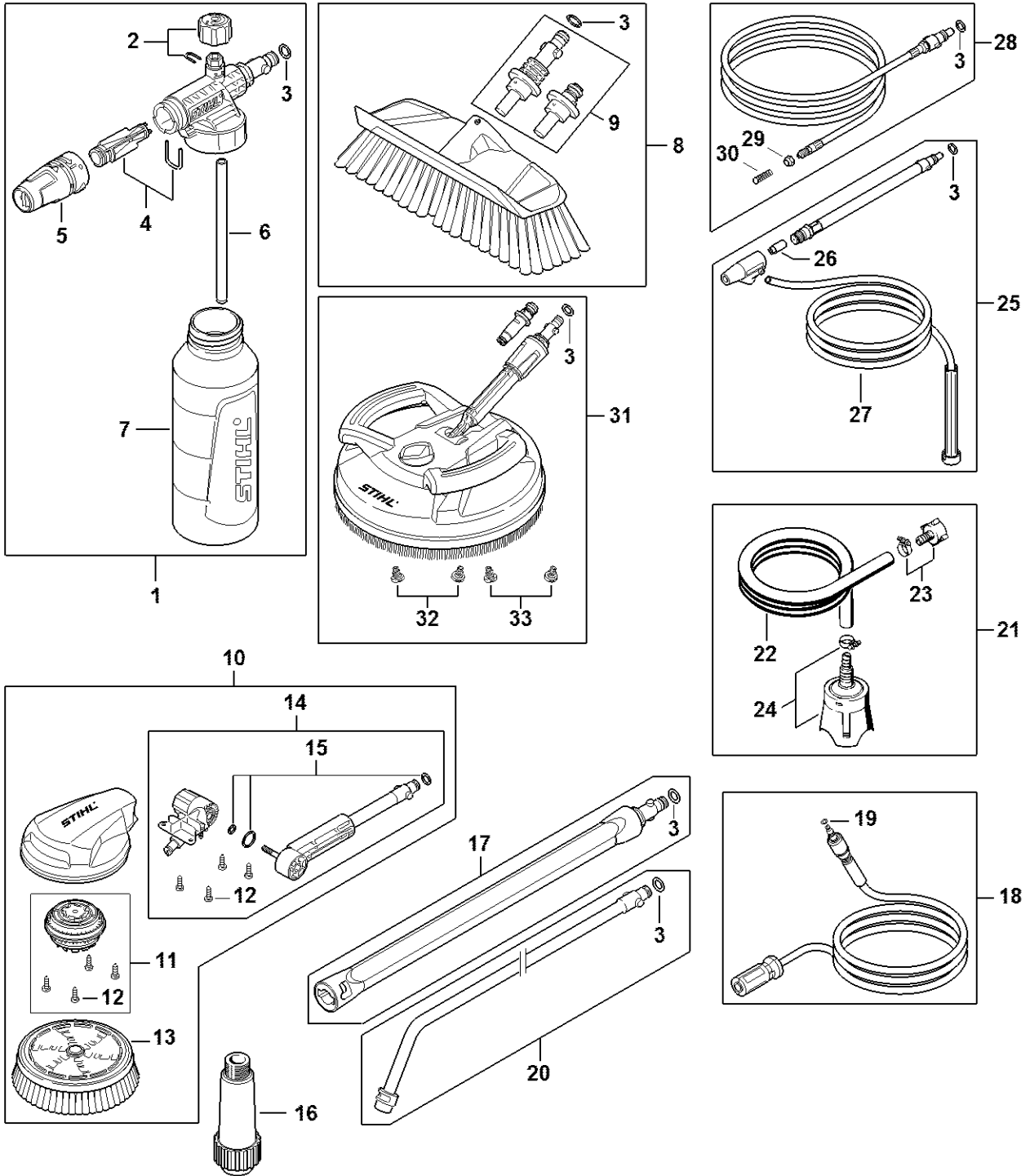


4950-GET-0036-A0

Spray gun, Spray lance/wand

#	Part Number	Description	Quantity	Contains Item(s)	Remarks
1	RE02 500 1300	Spray gun	1		
3	RE02 500 0900	Spray lance/wand	1	5	
5	RE02 609 0201	Sealing ring	1		
6	4930 530 0025	Fan jet nozzle	1		
8	4950 500 1610	Rotary nozzle Ø 1,01 mm, rot	1		
9	4930 500 5635	Spray set	1	11	
11	4930 507 0130	Detergent bottle	1		

Accessories RE 80 - 170 PLUS



4910-GET-0018-AG

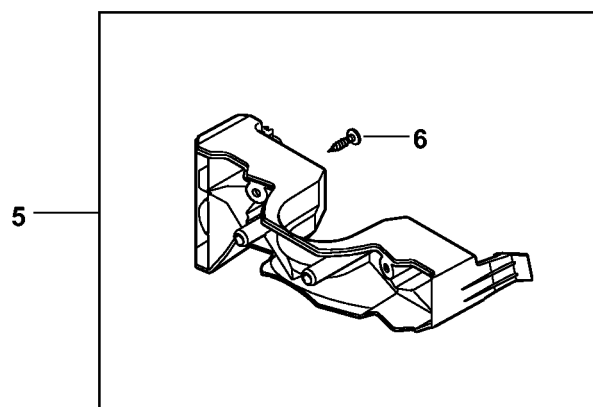
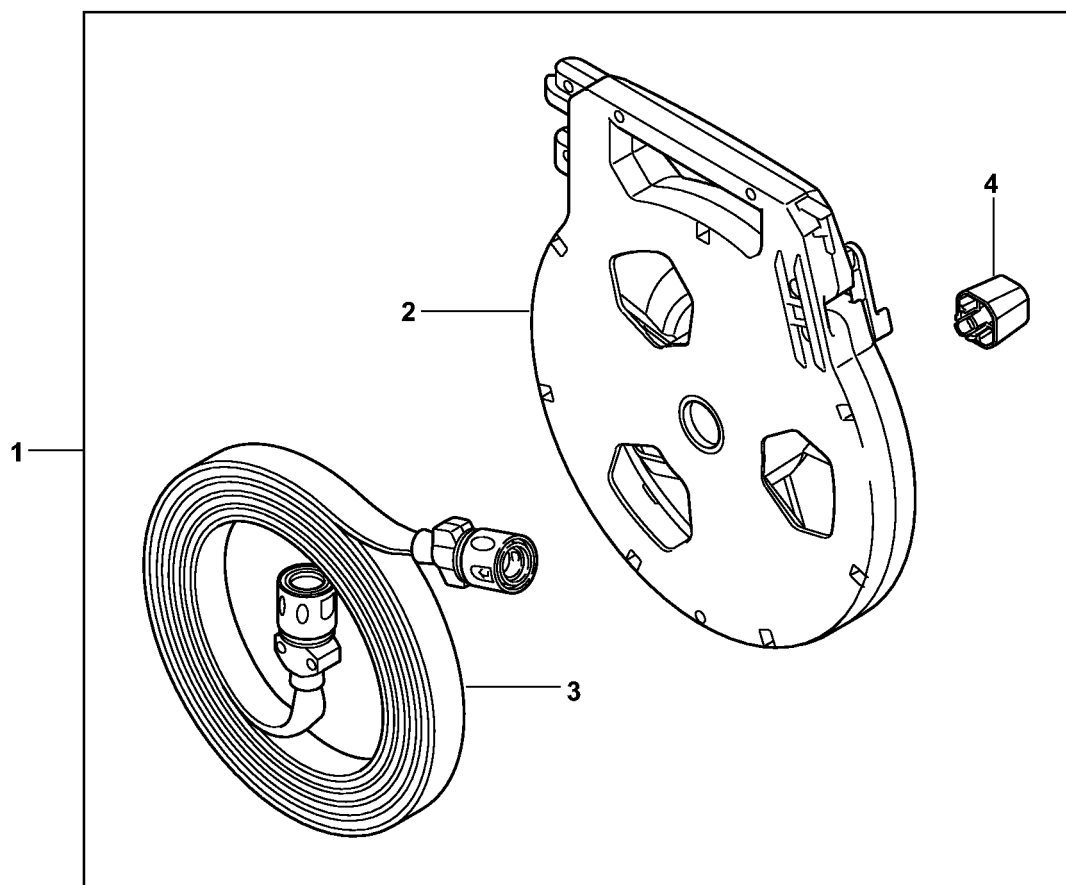
Accessories RE 80 - 170 PLUS

#	Part Number	Description	Quantity	Contains Item(s)	Remarks
1	4910 500 9600	Foam nozzle	1	2 - 7	
2	4910 530 0500	Adjusting screw	1		
3	9645 953 0762	O-ring N9,19x2,62-FKM90	1		
4	4910 500 6305	Nozzle	1		
5	4910 530 0400	Protective cap	1		
6	4910 530 0600	Hose	1		
7	4910 507 0100	Detergent bottle	1		
8	4910 500 6000	Washing brush	1	3, 9	
9	4910 500 4800	Connector	1		
10	4910 500 5900	Rotary washing brush	1	11 - 15	
11	4910 500 2000	Gear head	1	12	
12	4910 951 3505	Screw P5x15 - T20	4		
13	4910 504 2700	Brush strip	1		
14	4910 500 0701	Joint	1	12, 15	
15	4910 007 0800	Set O-ring	1		
16	4910 500 5400	Water filter	1		
17	4910 500 0900	Spray lance/wand straight 0,43 m	1	3	
18	4910 500 0802	High-pressure hose DN06 9 m	1	19	
19	9645 948 3076	O-ring N5,1x1,6-TPE-U95	1		
20	4910 500 1900	Spray lance/wand, angle 1,08 m	1	3	
21	4910 500 0500	Suction hose 3 m	1	22 - 24	
22	4910 501 0500	Hose Ø20,5-Ø13 - 3m	1		
23	4910 500 0100	Hose connector	1		
24	4910 500 2401	Pickup body	1		
25	4910 500 1800	Wet sand jet-stream appliance	1	3, 26, 27	
26	4910 502 1007	Nozzle	1		
27	4910 500 5200	Hose	1		

Accessories RE 80 - 170 PLUS

#	Part Number	Description	Quantity	Contains Item(s)	Remarks
28	4910 500 8000	Pipe cleaning kit 15 m	1	3, 29, 30	
29	4910 503 0200	Union nut	1		
30	4910 500 6800	Guide	1		
31	4910 500 3901	Surface cleaner RA 110	1	3, 32, 33	
32	4910 500 6303	Nozzle	1		(Black)
33	4910 500 6302	Nozzle	1		white

Accessories RE 105.0 X - 145.0

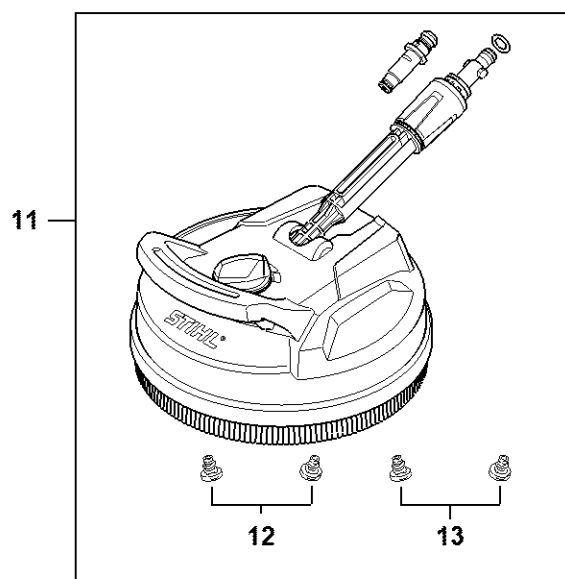
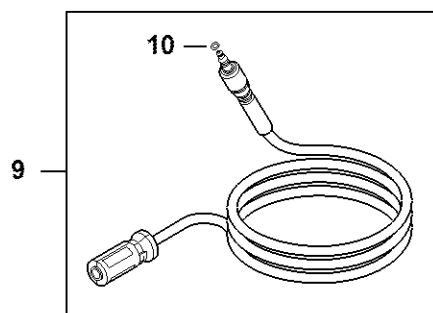
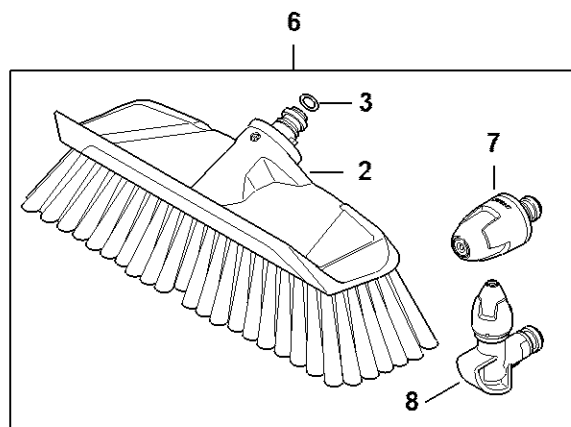
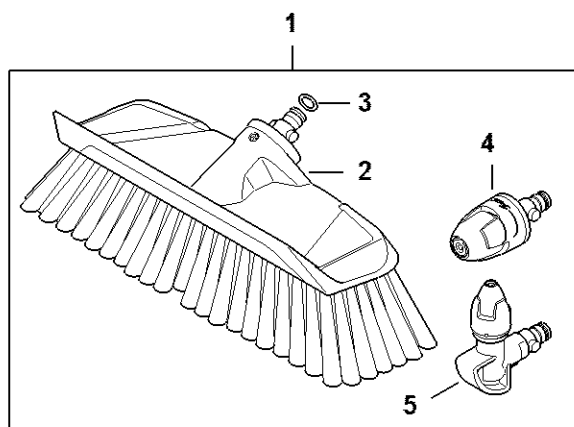


4910-GET-0004-A0

Accessories RE 105.0 X - 145.0

#	Part Number	Description	Quantity	Contains Item(s)	Remarks
1	4910 500 8600	Flat hose with reel	1	2 - 4	
2	4910 500 8800	Reel	1		
3	4910 500 8700	Flat hose	1		
4	RE01 791 0201	Handle	1		
5	4950 790 5400	Bracket	1	6	
6	9074 478 4127	Pan head self-tapping screw P5x22-H	2		

Accessories RE 80 - 170 PLUS

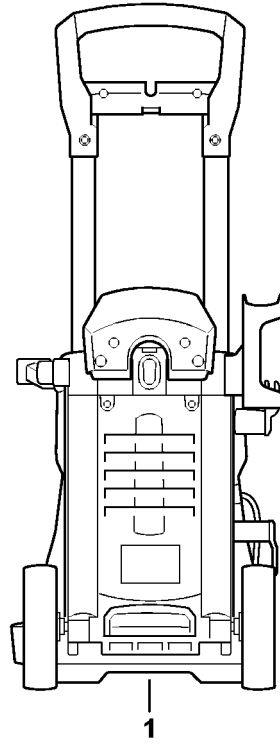


4910-GET-0019-A1

Accessories RE 80 - 170 PLUS

#	Part Number	Description	Quantity	Contains Item(s)	Remarks
1	4910 500 6101	Vehicle cleaning kit	1	2 - 5	
2	4910 500 6000	Washing brush	1		
3	9645 953 0762	O-ring N9,19x2,62-FKM90	1		
4	4910 500 6306	Nozzle	1		
5	4910 500 6307	Nozzle curved	1		
6	4910 500 6100	Vehicle cleaning kit	1	2, 3, 7, 8	
7	4910 500 6300	Nozzle	1		
8	4910 500 6301	Nozzle curved	1		
9	4950 500 0800	High-pressure hose DN 6, 7 m, textile braided	1	10	
10	9645 951 3076	O-ring 5,1x1,6-FKM90	1		
11	4910 500 3902	Surface cleaner RA 90	1	12, 13	
12	4910 500 6302	Nozzle	1		
13	4910 500 6303	Nozzle	1		

Serial number

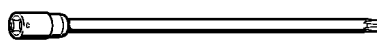


4850-GET-0010-A0

Serial number

#	Part Number	Description	Quantity	Contains Item(s)	Remarks
1		Position of serial number	1		

Socket, T20x125



901SW090 GM

Socket, T20x125

#	Part Number	Description	Quantity	Contains Item(s)	Remarks
	0812 542 2041	Driver bit, 1/4" square drive, T20x125	1		

Installing sleeve

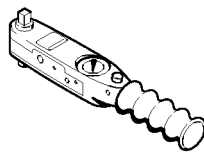


901SW133 GM

Installing sleeve

#	Part Number	Description	Quantity	Contains Item(s)	Remarks
	1122 893 4600	Installing sleeve	1		

Torque wrench with optical/acoustic signal

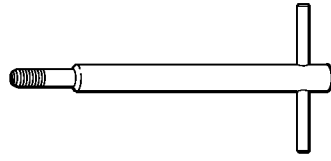


901SW292 KN

Torque wrench with optical/acoustic signal

#	Part Number	Description	Quantity	Contains Item(s)	Remarks
		Torque wrench	1		

Removing tool M6

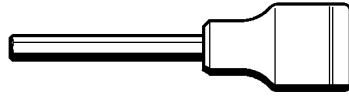


901SW297 KN

Removing tool M6

#	Part Number	Description	Quantity	Contains Item(s)	Remarks
	5910 890 6506	Removing tool M6	1		

Socket, 6 mm

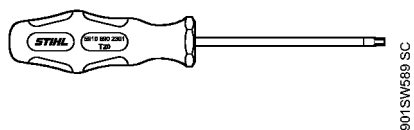


901SW421 KN

Socket, 6 mm

#	Part Number	Description	Quantity	Contains Item(s)	Remarks
	5910 890 0107	Socket, 6 mm	1		

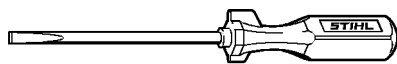
Screwdriver, T20



Screwdriver, T20

#	Part Number	Description	Quantity	Contains Item(s)	Remarks
	5910 890 2301	Screwdriver, T20	1		

Screwdriver

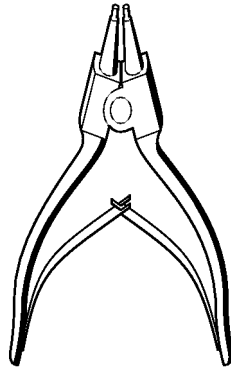


901 SW/558 CM

Screwdriver

#	Part Number	Description	Quantity	Contains Item(s)	Remarks
	0000 890 2300	Screwdriver	1		

Pliers A10

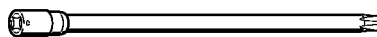


901 SW085 GM

Pliers A10

#	Part Number	Description	Quantity	Contains Item(s)	Remarks
	0811 611 8200	Pliers A10	1		

Socket, T27x125

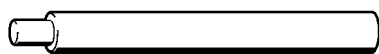


901SW091 GM

Socket, T27x125

#	Part Number	Description	Quantity	Contains Item(s)	Remarks
	0812 542 2104	Driver bit, 1/4" square drive, T27x125	1		

Assembly drift



901SW023 GM

Assembly drift

#	Part Number	Description	Quantity	Contains Item(s)	Remarks
	1108 893 4700	Assembly drift	1		

Screwdriver, T10

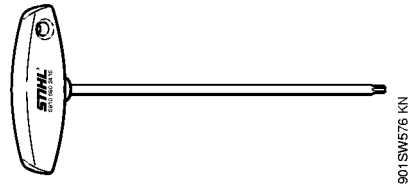


901SW687 SC

Screwdriver, T10

#	Part Number	Description	Quantity	Contains Item(s)	Remarks
	5910 890 2308	Screwdriver, T10	1		

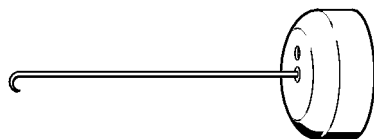
Screwdriver, T27x200



Screwdriver, T27x200

#	Part Number	Description	Quantity	Contains Item(s)	Remarks
	5910 890 2415	Screwdriver, T27x200	1		

Assembly hook

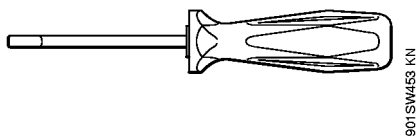


901SW205 GM

Assembly hook

#	Part Number	Description	Quantity	Contains Item(s)	Remarks
	5910 890 2800	Assembly hook	1		

Punchdown tool



Punchdown tool

#	Part Number	Description	Quantity	Contains Item(s)	Remarks
	5910 890 4000	Punchdown tool	1		