

HT 75

Spare Parts List

02/08/2023

Indonesia, English

Contents

Crankcase, Cylinder	3	Tools, Full harness	80
Rewind starter, Muffler	6	Back mounted support system RTS	82
Ignition system, Clutch	9	Serial number	84
Air filter, Fuel tank	12	Miscellaneous lubricants and greases	86
Carburetor 4137/36	15	Cleaning products	88
Carburetor 4137/28	18	Nipple	90
Carburetor 4137/22	21	Clamping strap	92
Carburetor C1Q-S157, C1Q-S69 (41.2017) (45.2009)	24	Wooden assembly block	94
Carburetor C1Q-S63 (15.2003)	27	Assembly drift	96
Carburetor C1Q-S56 # 1 48 792 225 (16.2001)	30	Assembly drift	98
Carburetor C1Q-S45 # 1 48 792 225 (16.2001)	33	Installing sleeve	100
Carburetor C1Q-S28, C1Q-S41 # 1 42 812 153 (21.1999)	36	Press arbor	102
Handle	40	Guide	104
Handle (24.2002)	42	Sealing plate	106
Handle # X 36 974 526	44	Socket, T27x125	108
Gear head, Drive tube assembly HT 75	47	Pliers A10-flat	110
Drive tube assembly HT 75	52	Hose 135 mm / 5 5/16"	112
Drive tube assembly HT 75 (42.2007)	55	Flange	114
Drive tube assembly HT 75	58	Installing sleeve	116
Gear head HT 75	61	Press sleeve	118
Gear head HT 75	64	Setting gauge	120
Gear head HT 70 (38.2016)	67	Setting gauge	122
Oil tank, Chain sprocket cover HT 70 (38.2016)	69	Press arbor	124
Gear head HT 75 (38.2002), (22.2011)	71	Puller	126
Oil tank, Chain sprocket cover (38.2002)	74	Installing tool, 8	128
Angle drive	76	Assembly hook	130
Conversion kit Gear housing (22.2011)	78	Stud puller, M8	132
		Socket, 13 mm	134
		Assembly hook	136

Contents

Ignition system tester, ZAT 3	138
Installing tool	140
Ignition system tester, ZAT 4	142
Sleeve	144
Puller	146
Locking strip	148
Torque wrench with optical/acoustic signal	150
Torque wrench	152
Torque wrench with optical/acoustic signal	154
Torque wrench	156
Jaw (profile No. 3.1 and 4)	158
Sleeve	160
Sleeve	162
Assembly stand	164
Clamping plate	166
Clamping plate	168
Installing tool	170
Puller	172
Puller	174
Nipple	176
Testing tool kit	178
Pump	180
Screwdriver, T27x150	182
Screwdriver, T20	184

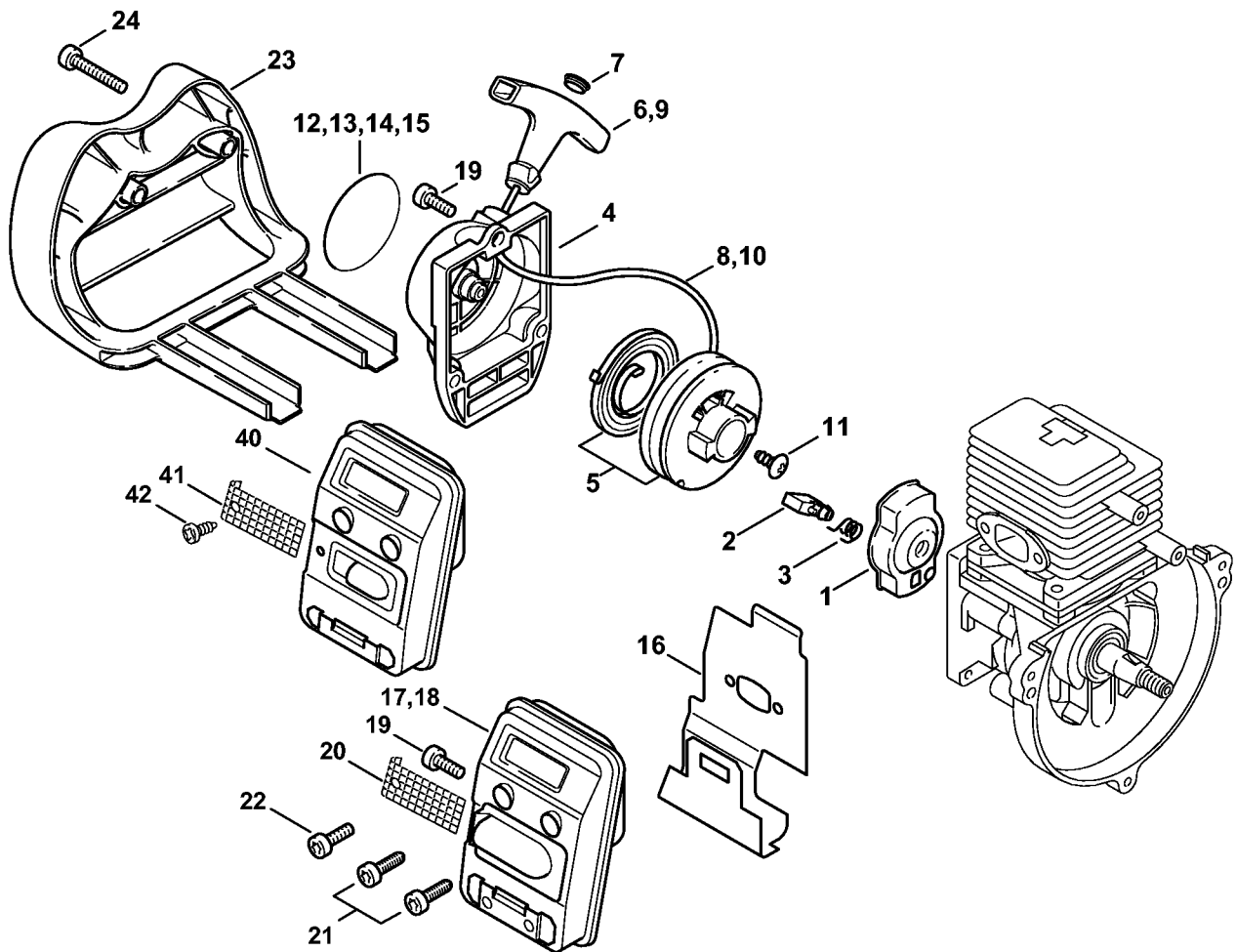
Crankcase, Cylinder

#	Part Number	Description	Quantity	Contains Item(s)	Remarks
1	4137 020 2800	Crankcase, starter side	1	2, 3	
2	0000 988 8600	Sleeve	2		
3	9503 003 0242	Grooved ball bearing 6201	2		
4	9640 003 1195	Oil seal 12x22x5	2		
5	4137 020 2601	Crankcase, fan side	1	3	
6	4137 030 0401	Crankshaft	1		
7	9022 371 1050	Spline screw IS-M5x25	3		
8	4137 020 1203	Cylinder with piston Ø 34 mm	1	11 - 14, 25	
9	4137 007 1042	Cylinder and piston kit Ø 34 mm	1	8, 11 - 14, 16 - 21, 25	
10	4137 020 1201	Cylinder with piston Ø 34 mm	1	11 - 14, 25	
11	4137 030 2010	Piston Ø 34mm	1	12 - 14	
12	4137 034 3000	Piston ring Ø 34x1.5 mm	2		
13	4137 034 1500	Piston pin 8x5x22	1		
14	9463 650 0805	Snap ring 8x0.7	1		
15	9463 650 0805	Snap ring 8x0.7	1		
16	9075 478 4085	Pan head self-tapping screw IS-D5x18	2		
17	4137 149 0600	Muffler gasket	1		
18	4137 129 0905	Gasket	1		
19	4137 121 1603	Spacer flange	1		
20	4137 182 7600	Tensioner	1		
21	9075 478 4159	Pan head self-tapping screw IS-D5x24	2		
22	9512 003 1830	Needle cage 8x11x10	1		
23	4140 029 2300	Cylinder gasket	1		
24	4137 029 2300	Cylinder gasket	1		
25	9075 478 4159	Pan head self-tapping screw IS-D5x24	4		
26	4137 084 2200	Guard	1		

Crankcase, Cylinder

#	Part Number	Description	Quantity	Contains Item(s)	Remarks
27	0000 400 7000	Spark plug NGK BPMR7A	1		
28	1110 400 7005	Spark plug Bosch WSR 6 F	1		
29	0783 830 2000	Tube of sealant HT red	1		
31	0000 350 3502	Pickup body	1		
32	4137 124 2800	Filter	1		
33	4137 124 1500	Prefilter	1		

Rewind starter, Muffler



4138-GET-0006-A0

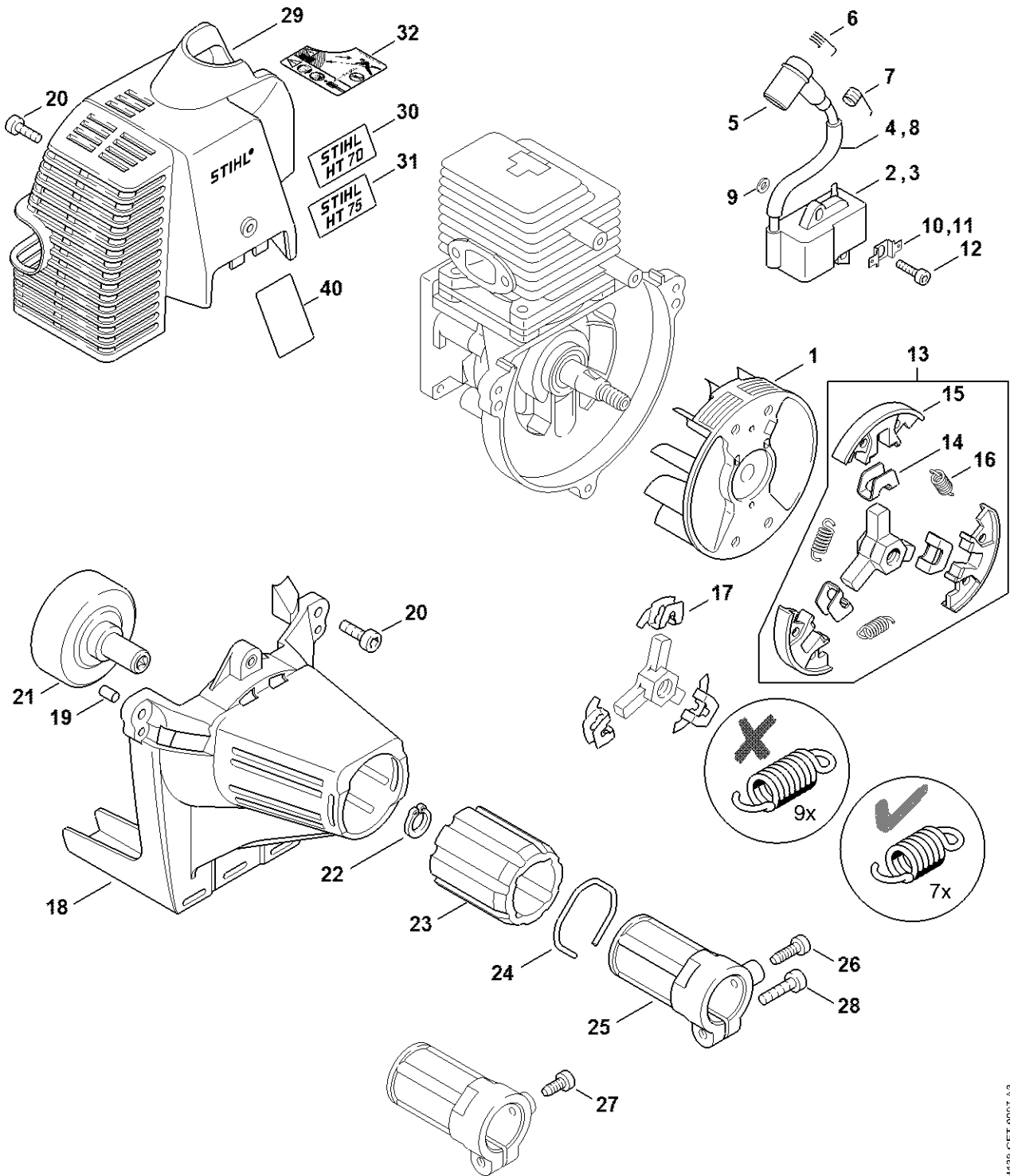
Rewind starter, Muffler

#	Part Number	Description	Quantity	Contains Item(s)	Remarks
1	4133 190 2002	Carrier	1	2, 3	
2	4133 195 7201	Pawl	1		
3	0000 998 0612	Torsion spring	1		
	4137 190 4000	Rewind starter	1	4 - 8, 11	
4	4137 190 0400	Starter cover	1		
5	4137 190 1100	Rope rotor with rewind spring	1		
6	0000 190 3403	Starter grip ElastoStart Ø 2,7 mm	1	7, 8	
7	0000 195 7000	Cap	1		
8	4137 195 8200	Starter rope Ø 2.7x910 mm	1		
	0000 930 2281	Starter rope Ø 2.7 mm x 30.8 m	1		
9	0000 190 3400	Starter grip ElastoStart Ø 3 mm	1	7, 10	
10	0000 195 8200	Starter rope Ø 3x800 mm	1		
	0000 930 2208	Starter rope Ø 3 mm x 30.5 m	1		
	0000 930 2211	Starter rope Ø 3 mm x 60.8 m	1		
11	9104 003 0960	Self-tapping screw P5.5x12	1		
14	4138 967 1508	Model plate HT 75	1		
14	4138 967 1503	Model plate HT 75	1		
15	0000 967 2129	Nameplate MADE IN USA	1		
16	4137 149 0600	Muffler gasket	1		
17	4137 140 0602	Muffler	1	16, 20	
18	4137 140 0603	Muffler	1	16	BR
19	9022 341 0980	Spline screw IS-M5x16	4		
20	4137 141 9000	Screen	1		
21	9075 478 4085	Pan head self-tapping screw IS-D5x18	2		
22	9022 341 0980	Spline screw IS-M5x16	2		
23	4138 007 1009	Deflector kit	1	24	
24	9022 341 1070	Spline screw IS-M5x30	2		

Rewind starter, Muffler

#	Part Number	Description	Quantity	Contains Item(s)	Remarks
40	4137 140 0600	Muffler Up to Serial Number: 238993299	1	41, 42	
41	4137 141 9000	Screen Up to Serial Number: 238993299	1		
42	9099 021 0810	Self-tapping screw 4.2x9.5 Up to Serial Number: 238993299	1		

Ignition system, Clutch



4136-GET-0007-43

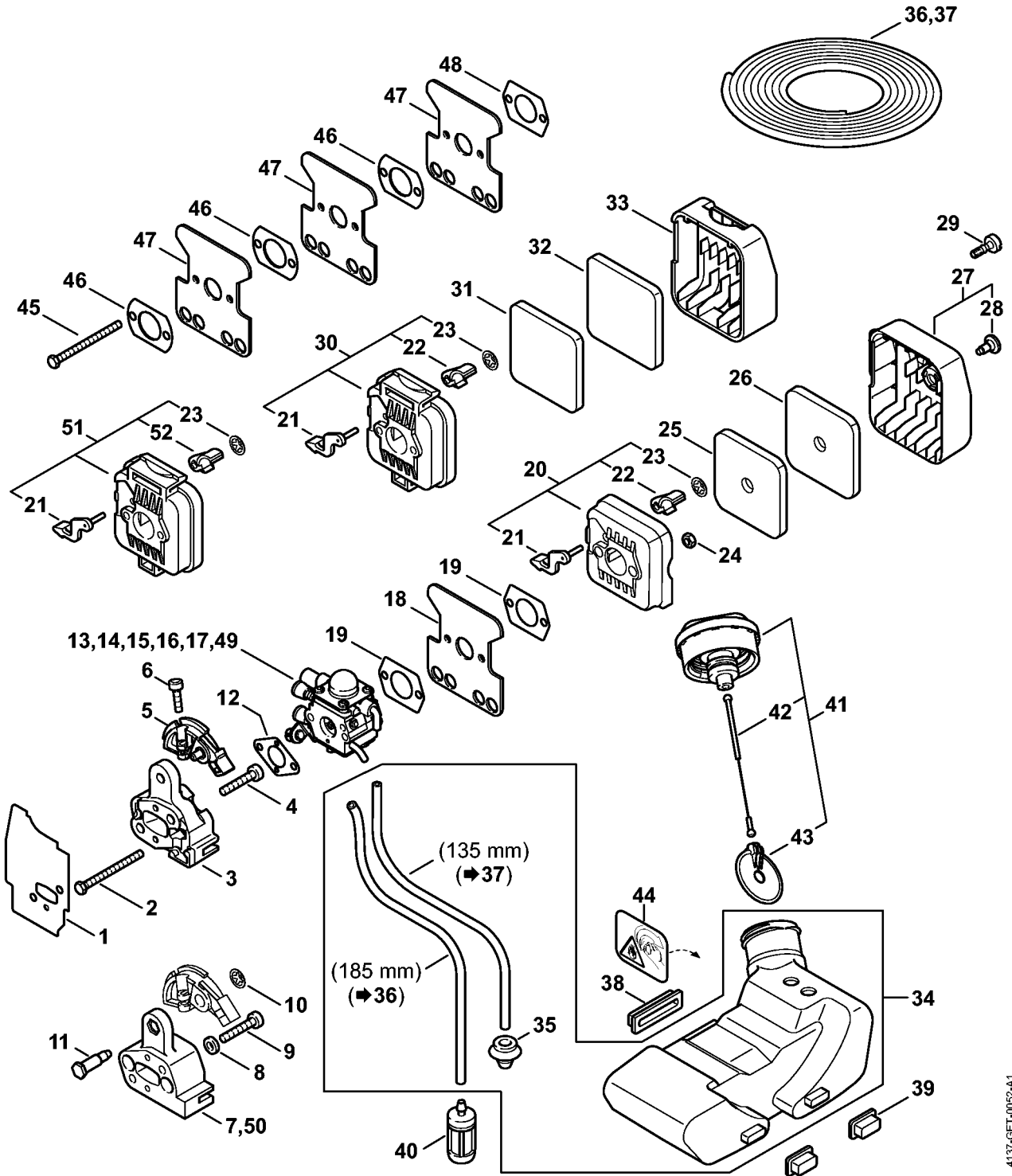
Ignition system, Clutch

#	Part Number	Description	Quantity	Contains Item(s)	Remarks
31	4138 967 1508	Model plate HT 75	1		
1	4137 400 1200	Flywheel	1		
2	4137 400 1304	Ignition module	1	4 - 6	
3	4137 400 1350	Ignition module	1	5, 7, 8	
4	4137 442 0401	Hose	1		
5	1106 405 1000	Spark plug boot	1		
6	0000 998 0603	Torsion spring	1		
7	0000 998 0606	Torsion spring	1		
8	4137 442 0400	Insulating hose	1		
9	4137 404 9300	Washer Up to Serial Number: 149126216	2		
10	4137 405 1600	Plug connector	1		
11	4137 405 1600	Plug connector	1		
12	9022 371 0710	Spline screw IS-M4x20	2		
13	4137 160 2004	Clutch	1	14 - 16	
14	1127 162 3000	Retainer	3		
15	4137 162 0800	Clutch shoe	3		
16	0000 997 5515	Tension spring	3		
17	1121 162 3000	Retainer Up to Serial Number: 162847301	3		
18	4137 080 1800	Fan housing	1	19	
19	9991 003 5087	Sleeve 7.5x6.8	3		
20	9022 341 0980	Spline screw IS-M5x16	5		
21	4137 160 2900	Clutch drum	1		
22	9455 621 1130	Circlip 12x1	1		
23	4137 791 9300	Rubber insert	1		
24	9457 621 4481	Circlip	1		
25	4137 790 7202	Sleeve	1	26	

Ignition system, Clutch

#	Part Number	Description	Quantity	Contains Item(s)	Remarks
26	9075 478 4115	Pan head self-tapping screw IS-D5x16	1		
27	9075 478 4095	Pan head self-tapping screw IS-D5x12	1		
28	9022 371 1020	Spline screw IS-M5x20	1		
29	4137 080 1604	Shroud	1		
31	4138 967 1500	Model plate HT 75	1		
32	4138 967 3700	Warning pictogram HT, PC	1		
40	4137 084 8300	Reflector foil Up to Serial Number: 238993299	1		

Air filter, Fuel tank



4137-GET-0052-A1

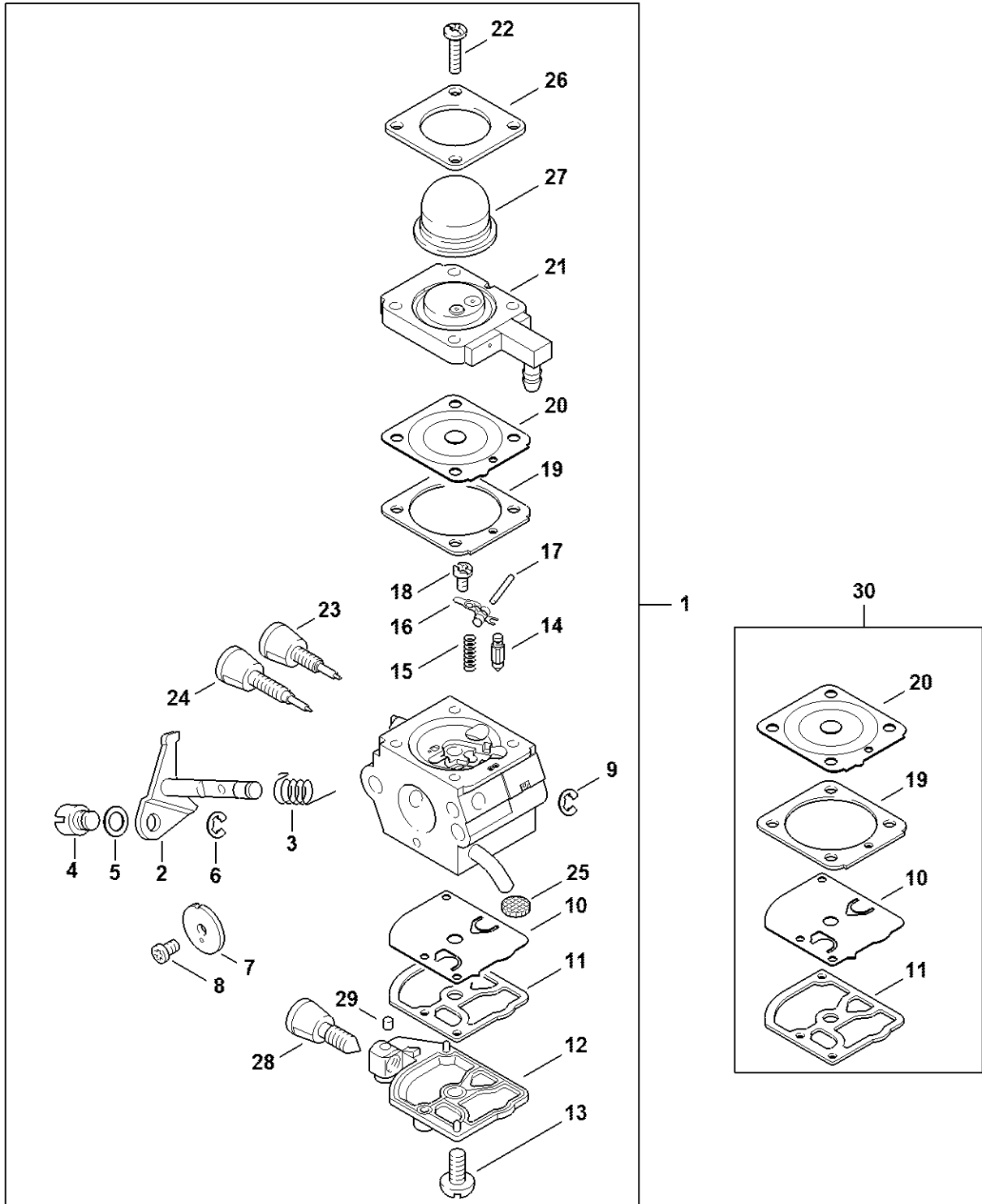
Air filter, Fuel tank

#	Part Number	Description	Quantity	Contains Item(s)	Remarks
1	4137 129 0905	Gasket	1		
2	9007 319 1130	Hexagon head screw M5x62	2		
3	4137 121 1603	Spacer flange	1		
4	9075 478 4159	Pan head self-tapping screw IS-D5x24	2		
5	4137 182 7600	Tensioner	1		
6	9022 313 0680	Pan head screw IS M4x16	1		
7	4137 121 1601	Spacer flange	1		
8	9291 021 0121	Washer 5.3	2		
9	9022 371 1050	Spline screw IS-M5x25	2		
10	4137 123 8900	Pin	1		
11	9417 003 7512	Push nut 4.0x9.6x1.8	1		
12	4137 129 0900	Gasket	1		
13	4137 120 0636	Carburetor 4137/36	1		
15	4137 120 0606	Carburetor C1Q-S63A	1		
16	4137 120 0604	Carburetor C1Q-S56B Up to Serial Number: 148792225	1		
17	4137 120 0603	Carburetor C1Q-S45 Up to Serial Number: 148792225	1		
18	4227 122 1805	Heat shield	1		
19	4114 149 1205	Gasket	2		
20	4137 140 2802	Filter housing	1	21 - 23	
21	4137 141 3700	Lever	1		
22	4137 141 3801	Choke shutter	1		
23	9417 003 7512	Push nut 4.0x9.6x1.8	1		
24	9210 261 0700	Hexagon nut M5	2		
25	4137 124 2801	Filter	1		
26	4137 124 1501	Prefilter	1		
27	4137 140 1001	Filter cover	1	28	

Air filter, Fuel tank

#	Part Number	Description	Quantity	Contains Item(s)	Remarks
28	0000 951 1114	Screw M5x12	1		
29	9022 319 0981	Screw IS-M5x17	1		
30	4137 140 2801	Filter housing	1	21 - 23	
31	4137 124 2800	Filter	1		
32	4137 124 1500	Prefilter	1		
33	4137 141 0500	Filter cover	1		
34	4137 350 0410	Fuel tank	1	37	
35	0000 989 0516	Grommet	2		
36	0000 930 2803	Hose 3.1x5.7 mm x 1 m, R3	1		
37	0000 930 2803	Hose 3.1x5.7 mm x 1 m, R3	1		
38	4137 352 8100	Insert	1		
39	4137 352 8105	Insert	2		
40	0000 350 3502	Pickup body	1		
41	4128 350 0505	Filler cap	1	42, 43	
42	0000 350 0900	Rope	1		
43	0000 353 0800	Filler cap retainer	1		
44	0000 967 3693	Warning pictogram Filler cap	1		USA
49	4137 120 0600	Carburetor CIQ-S28G Up to Serial Number: 142812153	1		
50	4137 121 1600	Spacer flange Up to Serial Number: 142812153	1		
51	4137 140 2800	Filter housing Up to Serial Number: 142812153	1	21, 23, 52	
52	4137 141 3800	Choke shutter Up to Serial Number: 142812153	1		
54	0000 400 7000	Spark plug NGK BPMR7A	1		

Carburetor 4137/36



4137-GET-0065-A0

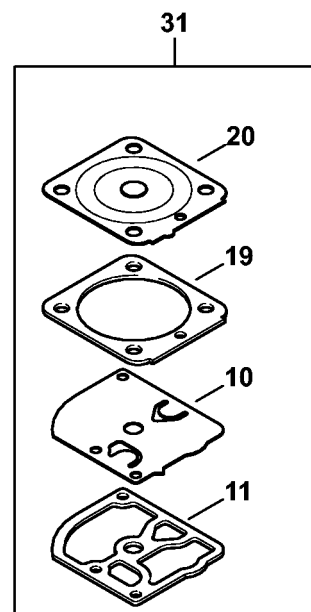
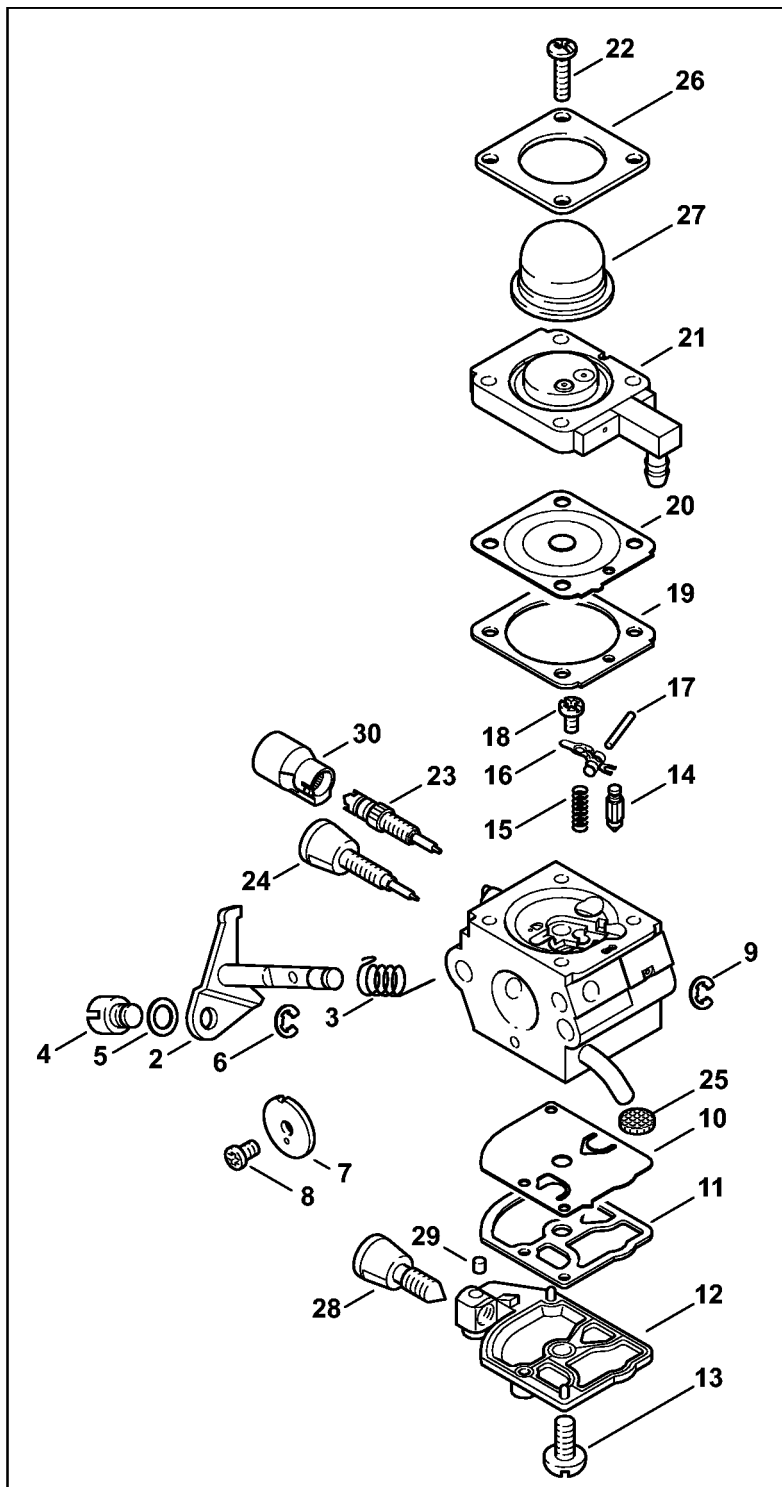
Carburetor 4137/36

#	Part Number	Description	Quantity	Contains Item(s)	Remarks
1	4137 120 0636	Carburetor 4137/36	1	2 - 29	
2	4137 120 7102	Throttle shaft with lever	1		
3	4137 122 3000	Spring	1		
4	4128 121 8900	Pin	1		
5	4137 121 8600	Washer	1		
6	1120 122 9000	E-clip	1		
7	4229 121 3303	Throttle shutter	1		
8	1125 122 7403	Round head screw	1		
9	1125 122 9001	E-clip	1		
10	1129 121 4800	Pump diaphragm	1		
11	1123 129 0905	Pump gasket	1		
12	4134 121 0802	End cover	1		
13	1120 122 7800	Oval head screw	1		
14	Z000 018 Z000	Inlet needle	1		
15	4128 122 3000	Spring	1		
16	4229 121 5000	Inlet control lever	1		
17	1120 121 9200	Spindle	1		
18	0000 122 7101	Screw	1		
19	4241 129 0901	Metering gasket	1		
20	4241 121 4702	Metering diaphragm	1		
21	4137 120 2201	Flange	1		
22	4226 122 7100	Screw	4		
23	Z010 030 A013	High speed screw assy	1		
24	4229 122 6800	Low speed screw	1		
25	1123 121 7800	Strainer	1		
26	4140 121 0800	End cover	1		
27	4226 121 2700	Cap	1		

Carburetor 4137/36

#	Part Number	Description	Quantity	Contains Item(s)	Remarks
28	4140 122 6200	Idle speed screw	1		
29	1125 122 4200	Clamp	1		
30	4229 007 1060	Kit	1	10, 11, 19, 20	

Carburetor 4137/28



4137-GET-0045-A0

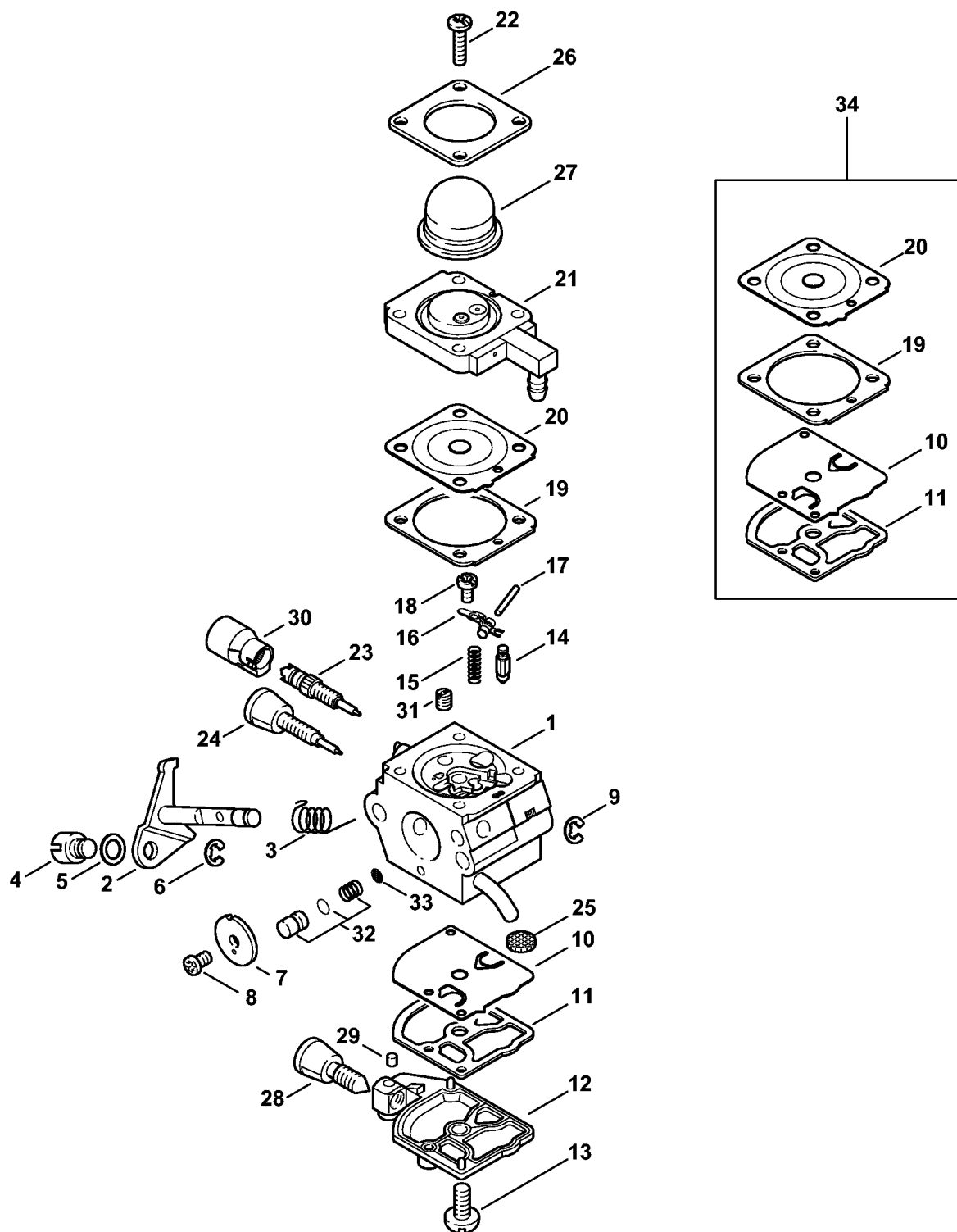
Carburetor 4137/28

#	Part Number	Description	Quantity	Contains Item(s)	Remarks
1	4137 120 0628	Carburetor 4137/28	1	2 - 30	
2	4137 120 7102	Throttle shaft with lever	1		
3	4137 122 3000	Spring	1		
4	4128 121 8900	Pin	1		
5	4137 121 8600	Washer	1		
6	1120 122 9000	E-clip	1		
7	4229 121 3303	Throttle shutter	1		
8	1125 122 7403	Round head screw	1		
9	1125 122 9001	E-clip	1		
10	1129 121 4800	Pump diaphragm	1		
11	1123 129 0905	Pump gasket	1		
12	4134 121 0802	End cover	1		
13	1120 122 7800	Oval head screw	1		
14	Z000 018 Z000	Inlet needle	1		
15	4128 122 3000	Spring	1		
16	4229 121 5000	Inlet control lever	1		
17	1120 121 9200	Spindle	1		
18	0000 122 7101	Screw	1		
19	4241 129 0901	Metering gasket	1		
20	4241 121 4702	Metering diaphragm	1		
21	4137 120 2201	Flange	1		
22	4226 122 7100	Screw	4		
23	4229 122 6701	High speed screw	1		
24	4229 122 6800	Low speed screw	1		
25	1120 121 7800	Strainer	1		
26	4140 121 0800	End cover	1		
27	4226 121 2700	Cap	1		

Carburetor 4137/28

#	Part Number	Description	Quantity	Contains Item(s)	Remarks
28	4140 122 6200	Idle speed screw	1		
29	1125 122 4200	Clamp	1		
30	4229 121 2701	Cap	1		
31	4229 007 1060	Kit	1	10, 11, 19, 20	

Carburetor 4137/22



4137-GET-0027-A0

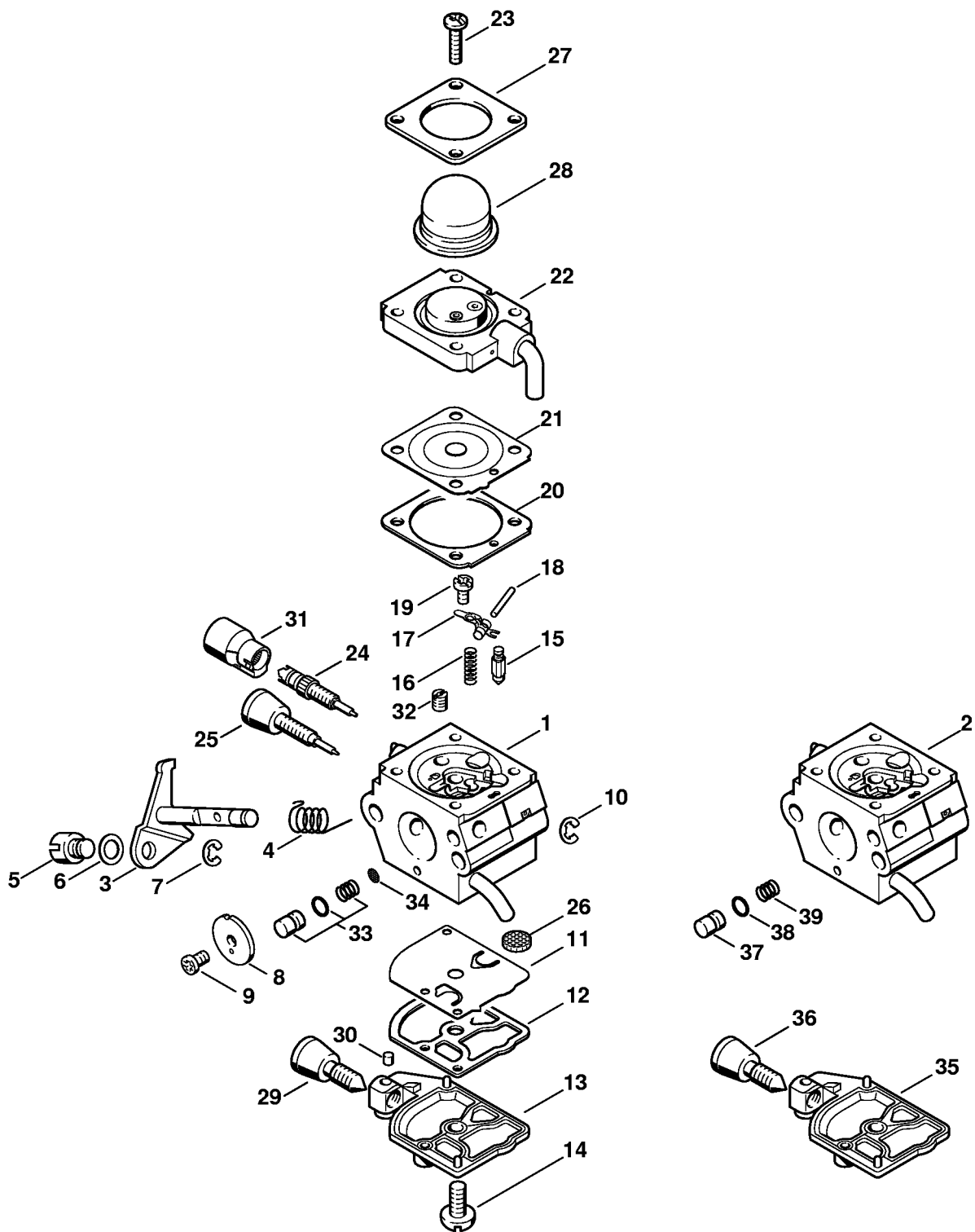
Carburetor 4137/22

#	Part Number	Description	Quantity	Contains Item(s)	Remarks
1	4137 120 0622	Carburetor 4137/22	1	2 - 33	
2	4137 120 7100	Throttle shaft with lever	1		
3	1123 122 3000	Spring	1		
4	4128 121 8900	Pin	1		
5	4137 121 8600	Washer	1		
6	1120 122 9000	E-clip	1		
7	4229 121 3303	Throttle shutter	1		
8	1125 122 7403	Round head screw	1		
9	1125 122 9001	E-clip	1		
10	1129 121 4800	Pump diaphragm	1		
11	1123 129 0905	Pump gasket	1		
12	4134 121 0802	End cover	1		
13	1120 122 7800	Oval head screw	1		
14	4116 121 5100	Inlet needle	1		
15	1120 122 3004	Spring	1		
16	1125 121 5000	Inlet control lever	1		
17	1120 121 9200	Spindle	1		
18	1120 122 6600	Collar screw	1		
19	4229 129 0901	Metering gasket	1		
20	4229 121 4700	Metering diaphragm	1		
21	4314 120 2200	Flange	1		
22	4226 122 7100	Screw	4		
23	4229 122 6701	High speed screw	1		
24	4229 122 6800	Low speed screw	1		
25	1123 121 7800	Strainer	1		
26	4140 121 0800	End cover	1		
27	4226 121 2700	Cap	1		

Carburetor 4137/22

#	Part Number	Description	Quantity	Contains Item(s)	Remarks
28	4140 122 6200	Idle speed screw	1		
29	1125 122 4200	Clamp	1		
30	4229 121 2701	Cap	1		
31	4229 121 5602	Fixed jet 0.35	1		
32	4314 007 1053	Pump piston kit	1	33	
33	1120 121 7801	Strainer	1		
34	4229 007 1060	Kit	1	10, 11, 19, 20	

Carburetor C1Q-S157, C1Q-S69 (41.2017) (45.2009)



392ET091 SC

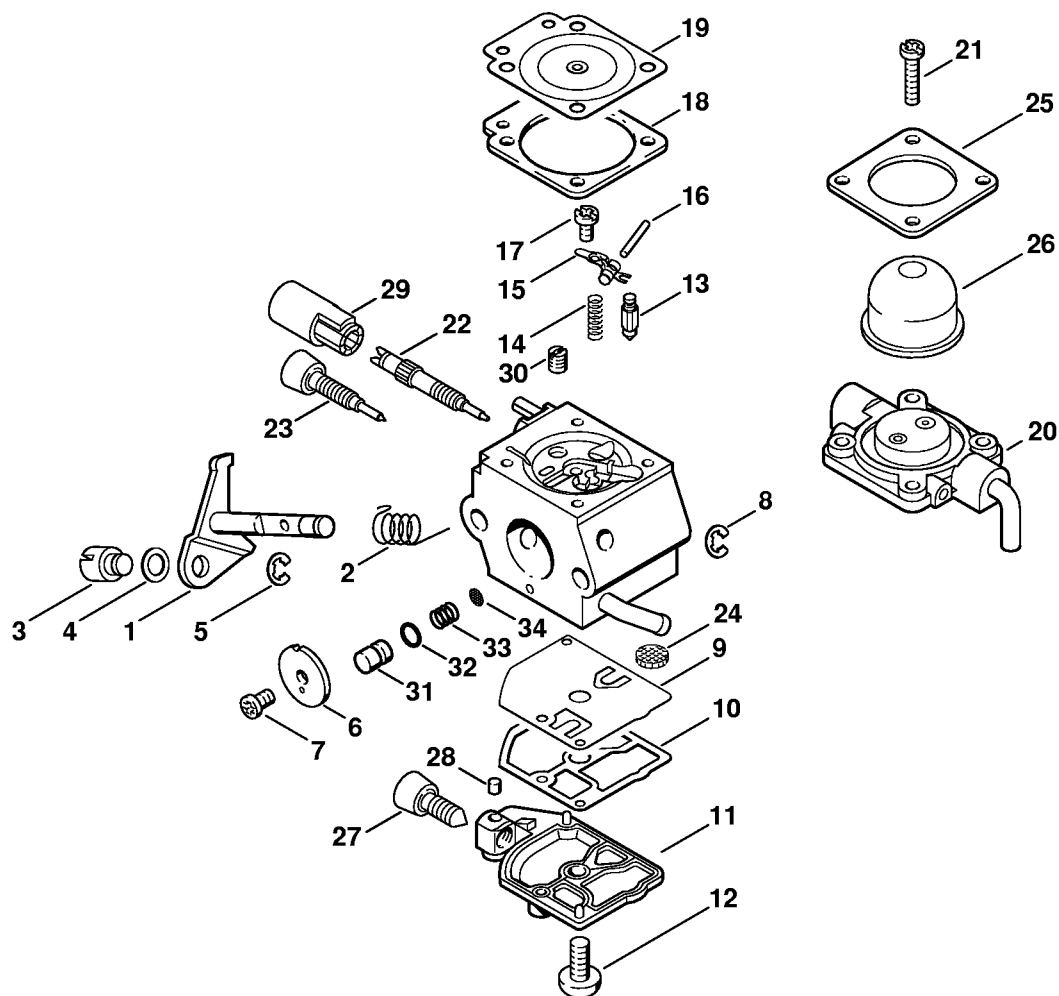
Carburetor C1Q-S157, C1Q-S69 (41.2017) (45.2009)

#	Part Number	Description	Quantity	Contains Item(s)	Remarks
1	4137 120 0614	Carburetor C1Q-S157C	1	3 - 34	
2	4137 120 0608	Carburetor C1Q-S69A	1	3 - 12, 14 - 28, 30 - 32, 34 - 39	
3	4137 120 7100	Throttle shaft with lever	1		
4	1123 122 3000	Spring	1		
5	4128 121 8900	Pin	1		
6	4137 121 8600	Washer	1		
7	1120 122 9000	E-clip	1		
8	4229 121 3303	Throttle shutter	1		
9	1125 122 7403	Round head screw	1		
10	1125 122 9001	E-clip	1		
11	1129 121 4800	Pump diaphragm	1		
12	1123 129 0905	Pump gasket	1		
13	4134 121 0802	End cover	1		
14	1120 122 7800	Oval head screw	1		
15	Z000 018 Z000	Inlet needle	1		
16	1120 122 3004	Spring	1		
17	1125 121 5000	Inlet control lever	1		
18	1120 121 9200	Spindle	1		
19	1120 122 6600	Collar screw	1		
20	4229 129 0901	Metering gasket	1		
21	4229 121 4700	Metering diaphragm	1		
22	4228 120 2200	Flange	1		
23	4226 122 7100	Screw	4		
24	4229 122 6701	High speed screw	1		
25	4229 122 6800	Low speed screw	1		
26	1123 121 7800	Strainer	1		

Carburetor C1Q-S157, C1Q-S69 (41.2017) (45.2009)

#	Part Number	Description	Quantity	Contains Item(s)	Remarks
27	4140 121 0800	End cover	1		
28	4226 121 2700	Cap	1		
29	4140 122 6200	Idle speed screw	1		
30	1125 122 4200	Clamp	1		
31	4229 121 2701	Cap	1		
32	4229 121 5602	Fixed jet 0.35	1		
33	4314 007 1053	Pump piston kit	1	34	
34	1120 121 7801	Strainer	1		
35	1123 121 0800	End cover	1		
36	4180 122 6200	Idle speed screw	1		
37	4229 121 5800	Pump piston	1		
38	4140 122 3600	Sealing ring	1		
39	4229 122 3001	Spring	1		
	4140 007 1060	Carburetor parts kit	1	11, 12, 20 - 22	

Carburetor C1Q-S63 (15.2003)



392ET046 GM

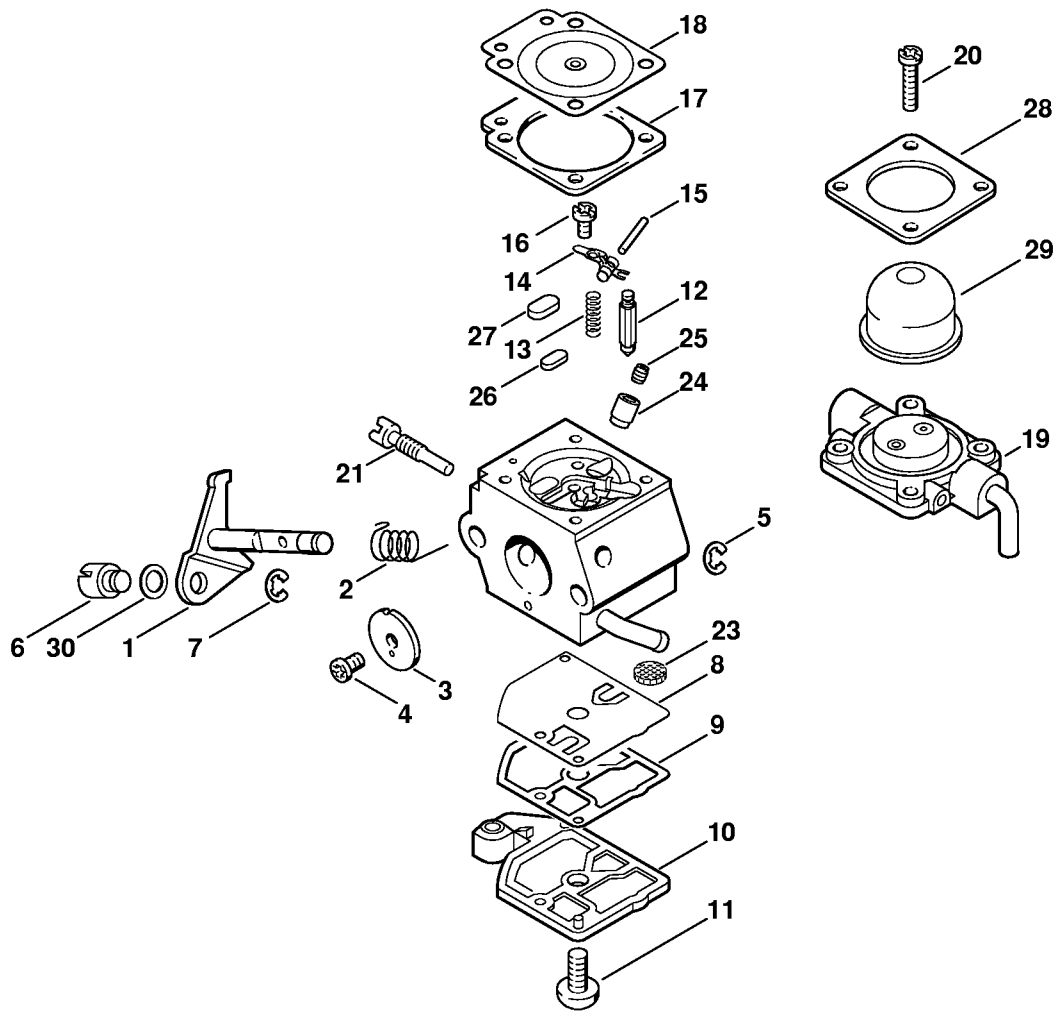
Carburetor C1Q-S63 (15.2003)

#	Part Number	Description	Quantity	Contains Item(s)	Remarks
	4137 120 0606	Carburetor C1Q-S63A	1	1 - 34	
1	4137 120 7100	Throttle shaft with lever	1		
2	1123 122 3000	Spring	1		
3	4137 121 8900	Pin	1		
4	4137 121 8600	Washer	1		
5	1120 122 9000	E-clip	1		
6	4229 121 3303	Throttle shutter	1		
7	1125 122 7403	Round head screw	1		
8	1125 122 9001	E-clip	1		
9	1129 121 4800	Pump diaphragm	1		
10	1123 129 0905	Pump gasket	1		
11	1123 121 0800	End cover	1		
12	1120 122 7800	Oval head screw	1		
13	Z000 018 Z000	Inlet needle	1		
14	1120 122 3004	Spring	1		
15	1125 121 5000	Inlet control lever	1		
16	1120 121 9200	Spindle	1		
17	1120 122 6600	Collar screw	1		
18	1129 129 0900	Metering gasket	1		
19	4129 121 4700	Metering diaphragm	1		
20	4140 120 2200	Flange	1		
21	4226 122 7100	Screw	4		
22	4229 122 6700	High speed screw	1		
23	4229 122 6800	Low speed screw	1		
24	1123 121 7800	Strainer	1		
25	4140 121 0800	End cover	1		
26	4226 121 2700	Cap	1		

Carburetor C1Q-S63 (15.2003)

#	Part Number	Description	Quantity	Contains Item(s)	Remarks
27	4229 122 6200	Idle speed screw	1		
28	1125 122 4200	Clamp	1		
29	4229 121 2700	Cap	1		
30	4137 121 5603	Fixed jet 0.34	1		
31	4229 121 5800	Pump piston	1		
32	4140 122 3600	Sealing ring	1		
33	4229 122 3001	Spring	1		
34	1120 121 7801	Strainer	1		
	1129 007 1062	CARBURATOR PARTS KIT 020	1	9, 10, 18, 19	

Carburetor C1Q-S56 # 1 48 792 225 (16.2001)



392ET039 GM

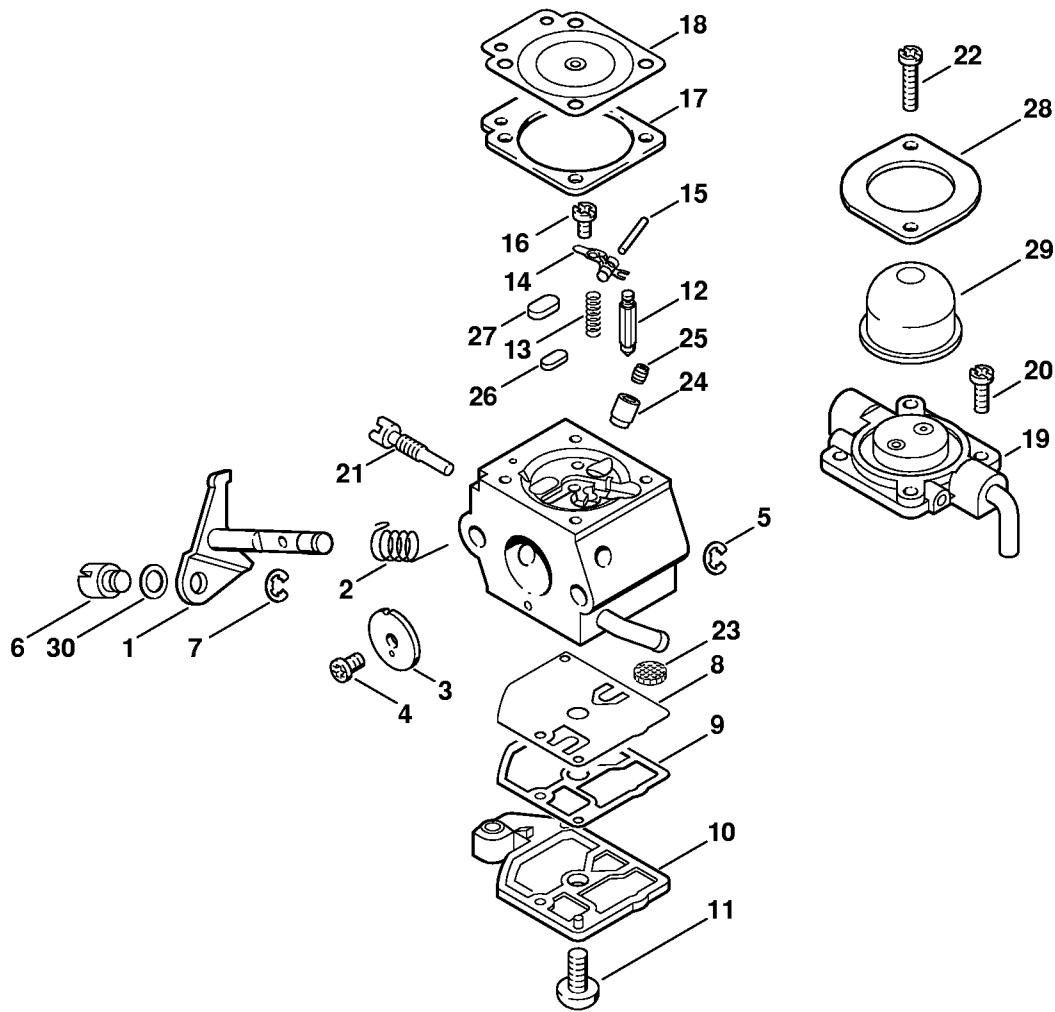
Carburetor C1Q-S56 # 1 48 792 225 (16.2001)

#	Part Number	Description	Quantity	Contains Item(s)	Remarks
	4137 120 0604	Carburetor C1Q-S56B Up to Serial Number: 148792225	1	1 - 30	
1	4226 120 7100	Throttle shaft with lever Up to Serial Number: 148792225	1		
2	1123 122 3000	Spring Up to Serial Number: 148792225	1		
3	4137 121 3300	Throttle shutter Up to Serial Number: 148792225	1		
4	1125 122 7403	Round head screw Up to Serial Number: 148792225	1		
5	1125 122 9001	E-clip Up to Serial Number: 148792225	1		
6	4137 121 8900	Pin Up to Serial Number: 148792225	1		
7	1120 122 9000	E-clip Up to Serial Number: 148792225	1		
8	1129 121 4800	Pump diaphragm Up to Serial Number: 148792225	1		
9	1123 129 0905	Pump gasket Up to Serial Number: 148792225	1		
10	4128 121 0800	End cover Up to Serial Number: 148792225	1		
11	1120 122 7800	Oval head screw Up to Serial Number: 148792225	1		
12	Z000 018 Z000	Inlet needle Up to Serial Number: 148792225	1		
13	1123 122 3001	Spring Up to Serial Number: 148792225	1		
14	1125 121 5000	Inlet control lever Up to Serial Number: 148792225	1		
15	1120 121 9200	Spindle Up to Serial Number: 148792225	1		
16	1120 122 6600	Collar screw	1		

Carburetor C1Q-S56 # 1 48 792 225 (16.2001)

#	Part Number	Description	Quantity	Contains Item(s)	Remarks
		Up to Serial Number: 148792225			
17	4129 129 0902	Metering gasket Up to Serial Number: 148792225	1		
18	4129 121 4700	Metering diaphragm Up to Serial Number: 148792225	1		
19	4140 120 2250	Flange Up to Serial Number: 148792225	1	17, 18, 20, 28	
20	4226 122 7100	Screw Up to Serial Number: 148792225	4		
21	4137 122 6300	Idle speed screw Up to Serial Number: 148792225	1		
23	1123 121 7800	Strainer Up to Serial Number: 148792225	1		
24	4137 122 5100	Outlet valve Up to Serial Number: 148792225	1		
25	4137 121 5601	Fixed jet 0.42 Up to Serial Number: 148792225	1		
26	4119 121 0700	Cup plug Up to Serial Number: 148792225	1		
27	4129 121 0700	Cup plug Up to Serial Number: 148792225	1		
28		End cover Up to Serial Number: 148792225	1		
29	4226 121 2700	Cap Up to Serial Number: 148792225	1		
30	4137 121 8600	Washer Up to Serial Number: 148792225	1		
	4227 007 1060	Set of carburetor parts Up to Serial Number: 148792225	1	8, 9, 17, 18	

Carburetor C1Q-S45 # 1 48 792 225 (16.2001)



392ET008 GM

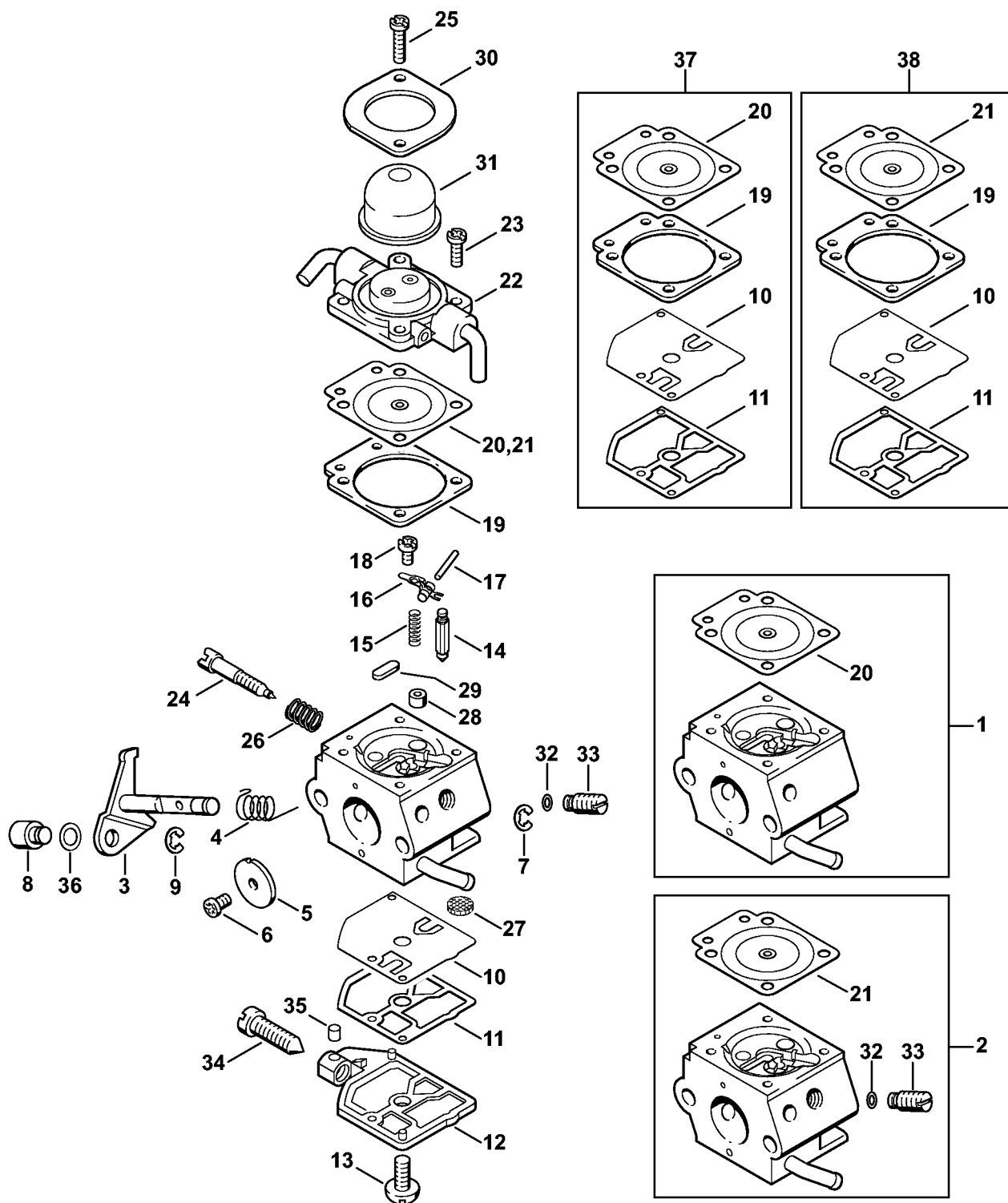
Carburetor C1Q-S45 # 1 48 792 225 (16.2001)

#	Part Number	Description	Quantity	Contains Item(s)	Remarks
	4137 120 0603	Carburetor C1Q-S45 Up to Serial Number: 148792225	1	1 - 30	
1	4226 120 7100	Throttle shaft with lever Up to Serial Number: 148792225	1		
2	1123 122 3000	Spring Up to Serial Number: 148792225	1		
3	4137 121 3300	Throttle shutter Up to Serial Number: 148792225	1		
4	1125 122 7403	Round head screw Up to Serial Number: 148792225	1		
5	1125 122 9001	E-clip Up to Serial Number: 148792225	1		
6	4137 121 8900	Pin Up to Serial Number: 148792225	1		
7	1120 122 9000	E-clip Up to Serial Number: 148792225	1		
8	1129 121 4800	Pump diaphragm Up to Serial Number: 148792225	1		
9	1123 129 0905	Pump gasket Up to Serial Number: 148792225	1		
10	4128 121 0800	End cover Up to Serial Number: 148792225	1		
11	1120 122 7800	Oval head screw Up to Serial Number: 148792225	1		
12	Z000 018 Z000	Inlet needle Up to Serial Number: 148792225	1		
13	1123 122 3001	Spring Up to Serial Number: 148792225	1		
14	1125 121 5000	Inlet control lever Up to Serial Number: 148792225	1		
15	1120 121 9200	Spindle Up to Serial Number: 148792225	1		
16	1120 122 6600	Collar screw	1		

Carburetor C1Q-S45 # 1 48 792 225 (16.2001)

#	Part Number	Description	Quantity	Contains Item(s)	Remarks
		Up to Serial Number: 148792225			
17	4129 129 0902	Metering gasket Up to Serial Number: 148792225	1		
18	4129 121 4700	Metering diaphragm Up to Serial Number: 148792225	1		
19	4226 120 2200	Flange Up to Serial Number: 148792225	1		
20	4226 122 7100	Screw Up to Serial Number: 148792225	2		
21	4137 122 6300	Idle speed screw Up to Serial Number: 148792225	1		
22	1128 122 7100	Screw Up to Serial Number: 148792225	2		
23	1123 121 7800	Strainer Up to Serial Number: 148792225	1		
24	4137 122 5100	Outlet valve Up to Serial Number: 148792225	1		
25	4137 121 5601	Fixed jet 0.42 Up to Serial Number: 148792225	1		
26	4119 121 0700	Cup plug Up to Serial Number: 148792225	1		
27	4129 121 0700	Cup plug Up to Serial Number: 148792225	1		
28	4226 121 0800	End cover Up to Serial Number: 148792225	1		
29	4226 121 2700	Cap Up to Serial Number: 148792225	1		
30	4137 121 8600	Washer Up to Serial Number: 148792225	1		
	4227 007 1060	Set of carburetor parts Up to Serial Number: 148792225	1	8, 9, 17, 18	

Carburetor C1Q-S28, C1Q-S41 # 1 42 812 153 (21.1999)



4137-GET-0061-A0

Carburetor C1Q-S28, C1Q-S41 # 1 42 812 153 (21.1999)

#	Part Number	Description	Quantity	Contains Item(s)	Remarks
1	4137 120 0600	Carburetor C1Q-S28G Up to Serial Number: 142812153	1	3 - 20, 22 - 31, 34 - 36	
2	4137 120 0602	Carburetor C1Q-S41D Up to Serial Number: 142812153	1	3 - 19, 21 - 36	
3	4226 120 7100	Throttle shaft with lever Up to Serial Number: 142812153	1		
4	1123 122 3000	Spring Up to Serial Number: 142812153	1		
5	4227 121 3300	Throttle shutter Up to Serial Number: 142812153	1		
6	1125 122 7403	Round head screw Up to Serial Number: 142812153	1		
7	1125 122 9001	E-clip Up to Serial Number: 142812153	1		
8	4128 121 8900	Pin Up to Serial Number: 142812153	1		
9	1120 122 9000	E-clip Up to Serial Number: 142812153	1		
10	1129 121 4800	Pump diaphragm Up to Serial Number: 142812153	1		
11	1123 129 0905	Pump gasket Up to Serial Number: 142812153	1		
12	1123 121 0800	End cover Up to Serial Number: 142812153	1		
13	1120 122 7800	Oval head screw Up to Serial Number: 142812153	1		
14	Z000 018 Z000	Inlet needle Up to Serial Number: 142812153	1		
15	1123 122 3001	Spring Up to Serial Number: 142812153	1		
16	1125 121 5000	Inlet control lever Up to Serial Number: 142812153	1		
17	1120 121 9200	Spindle	1		

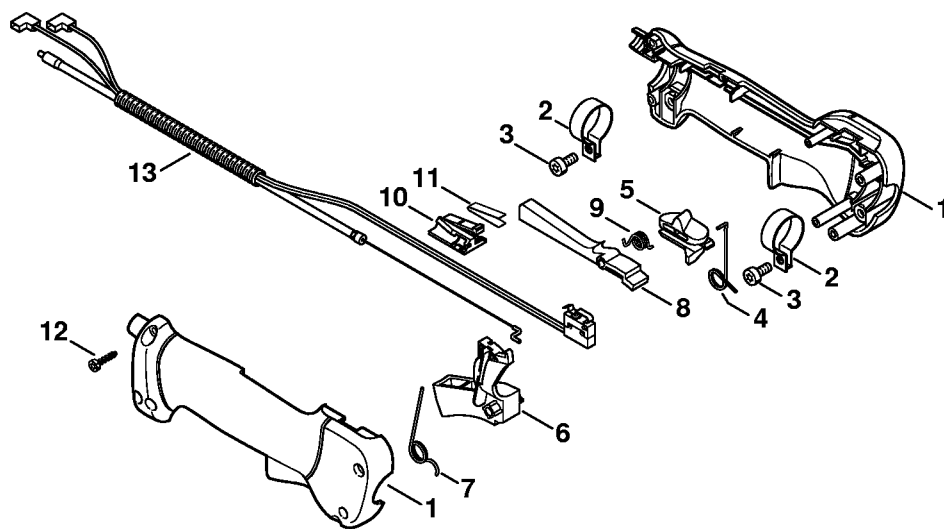
Carburetor C1Q-S28, C1Q-S41 # 1 42 812 153 (21.1999)

#	Part Number	Description	Quantity	Contains Item(s)	Remarks
		Up to Serial Number: 142812153			
18	1120 122 6600	Collar screw Up to Serial Number: 142812153	1		
19	4129 129 0902	Metering gasket Up to Serial Number: 142812153	1		
20	0000 121 4700	Metering diaphragm Up to Serial Number: 142812153	1		
21	4129 121 4700	Metering diaphragm Up to Serial Number: 142812153	1		
22	4226 120 2200	Flange Up to Serial Number: 142812153	1		
23	4226 122 7100	Screw Up to Serial Number: 142812153	2		
24	4137 122 6800	Low speed screw Up to Serial Number: 142812153	1		
25	1128 122 7100	Screw Up to Serial Number: 142812153	2		
26	1120 122 3005	Spring Up to Serial Number: 142812153	1		
27	1123 121 7800	Strainer Up to Serial Number: 142812153	1		
28	4137 121 5401	Valve jet Up to Serial Number: 142812153	1		
29	4226 121 0700	Cup plug Up to Serial Number: 142812153	1		
30	4226 121 0800	End cover Up to Serial Number: 142812153	1		
31	4226 121 2700	Cap Up to Serial Number: 142812153	1		
32	4226 121 8600	Washer Up to Serial Number: 142812153	1		
33	4137 120 8700	Control valve Up to Serial Number: 142812153	1		

Carburetor C1Q-S28, C1Q-S41 # 1 42 812 153 (21.1999)

#	Part Number	Description	Quantity	Contains Item(s)	Remarks
34	1123 122 6200	Idle speed screw Up to Serial Number: 142812153	1		
35	1125 122 4200	Clamp Up to Serial Number: 142812153	1		
36	4137 121 8600	Washer Up to Serial Number: 142812153	1		
37	4137 007 1700	Set of carburetor parts Up to Serial Number: 142812153	1	10, 11, 19, 20	
38	4227 007 1060	Set of carburetor parts Up to Serial Number: 142812153	1	10, 11, 19, 21	

Handle

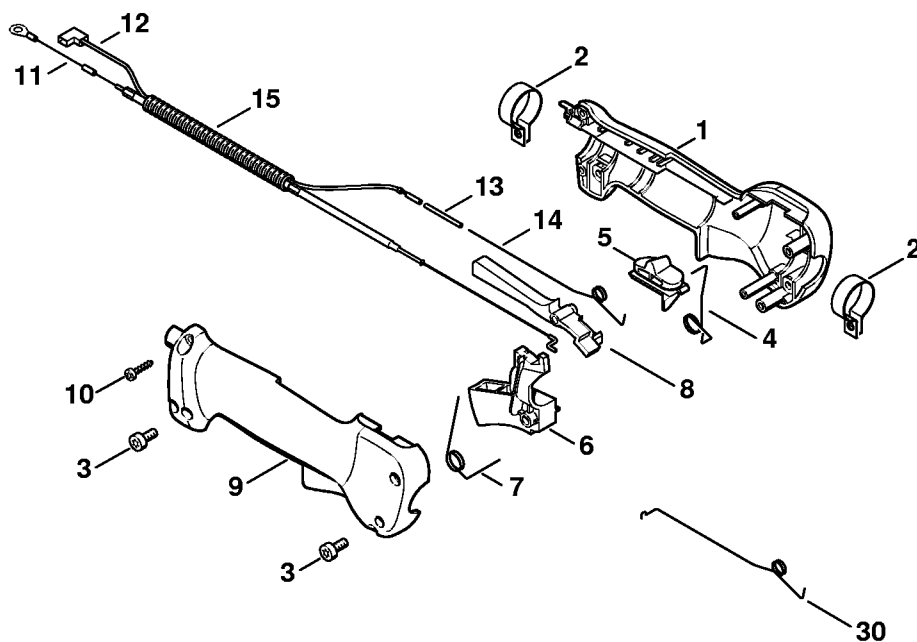


390ET030 SC

Handle

#	Part Number	Description	Quantity	Contains Item(s)	Remarks
	4137 790 1307	Control handle	1	1 - 12	
1	4137 790 0300	Handle	1		
2	4137 791 9400	Hose clamp	2		
3	9022 341 0960	Spline screw IS-M5x12	2		
4	4137 182 4505	Torsion spring	1		
5	4137 182 1701	Slide control	1		
6	4137 182 1001	Throttle trigger	1		
7	4137 182 4504	Torsion spring	1		
8	4137 182 0802	Lockout lever	1		
9	4128 182 4501	Torsion spring	1		
10	4128 793 3000	Slide	1		
11	4128 791 3100	Spring	1		
12	9074 478 3025	Pan head self-tapping screw IS-P4x16	4		
13	4137 180 1107	Throttle cable	1		

Handle (24.2002)

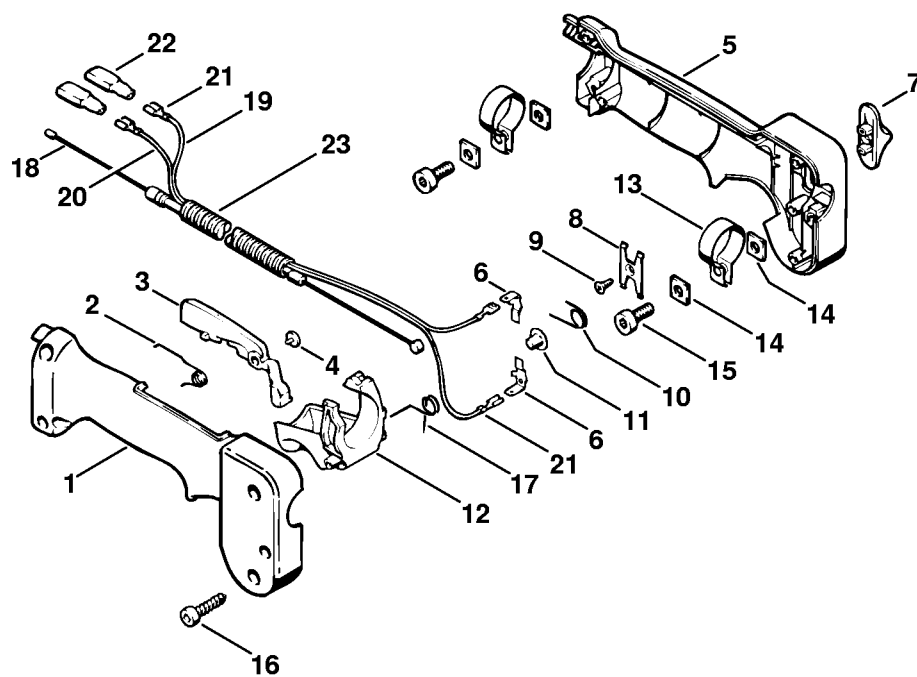


390ET020 GM

Handle (24.2002)

#	Part Number	Description	Quantity	Contains Item(s)	Remarks
	4137 790 1350	Control handle	1	1 - 10, 30	
1	4137 790 1101	Handle molding, inner	1		
2	4137 791 9400	Hose clamp	2		
3	9022 341 0960	Spline screw IS-M5x12	2		
4	4137 442 1600	Contact spring	1		
5	4137 182 1700	Slide control	1		
6	4137 182 1000	Throttle trigger	1		
7	4137 182 4500	Torsion spring	1		
8	4137 182 0801	Lockout lever	1		
9	4137 791 0800	Handle molding, outer	1		
10	9074 478 3025	Pan head self-tapping screw IS-P4x16	4		
11	4137 180 1103	Throttle cable	1	12 - 15	
11	4137 180 1150	Throttle cable	1	1, 8, 12 - 15	
12	4137 440 1101	Short circuit wire	1		
13	0000 442 2100	Shrink-on tube	1		
14	4137 182 4503	Torsion spring	1		
15		Hose 185 mm / 7 5/16"	1		
	4203 711 7201	Hose 960 mm / 37 13/16"	1		
30	4137 182 4502	Torsion spring	1		

Handle # X 36 974 526



390ET002 GM

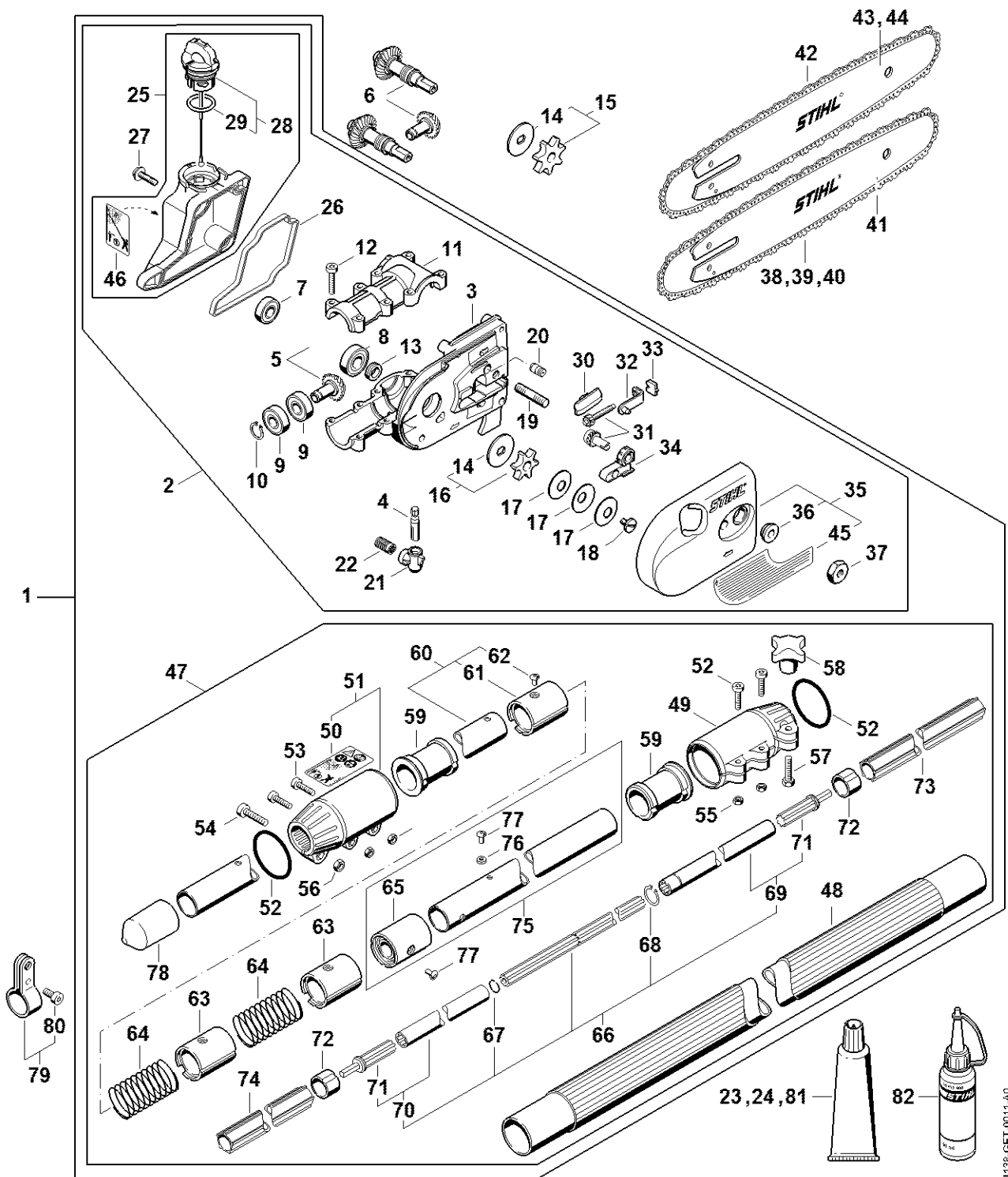
Handle # X 36 974 526

#	Part Number	Description	Quantity	Contains Item(s)	Remarks
	4133 790 1301	Control handle Up to Serial Number: 036947526	1	1 - 17	
1	4126 791 0821	Handle molding, outer Up to Serial Number: 036947526	1		
2	4126 182 4506	Torsion spring Up to Serial Number: 036947526	1		
3	4126 182 0806	Lockout lever Up to Serial Number: 036947526	1		
4	4126 182 6210	Collar screw Up to Serial Number: 036947526	1		
5	4126 790 1102	Handle molding, inner Up to Serial Number: 036947526	1	6	
6	4126 791 5300	Connector tag Up to Serial Number: 036947526	2		
7	4126 182 1705	Slide control Up to Serial Number: 036947526	1		
8	4126 182 4705	Detent spring Up to Serial Number: 036947526	1		
9	4126 182 6205	Collar screw Up to Serial Number: 036947526	1		
10	4126 182 4505	Torsion spring Up to Serial Number: 036947526	1		
11	9417 003 7510	Push nut Up to Serial Number: 036947526	1		
12	4126 182 1007	Throttle trigger Up to Serial Number: 036947526	1		
13	4133 791 9400	Hose clamp Up to Serial Number: 036947526	2		
14	4126 792 6100	Square washer Up to Serial Number: 036947526	4		
15	9022 341 0980	Spline screw IS-M5x16 Up to Serial Number: 036947526	2		
16	9074 478 3065	Pan head self-tapping screw IS-P4x19	4		

Handle # X 36 974 526

#	Part Number	Description	Quantity	Contains Item(s)	Remarks
		Up to Serial Number: 036947526			
17	4126 182 4507	Torsion spring Up to Serial Number: 036947526	1		
18	4133 180 1105	Throttle cable Up to Serial Number: 036947526	1		
19		Lead 480 mm / 18.9" Up to Serial Number: 036947526	1		
20		Lead 565 mm / 22.2" Up to Serial Number: 036947526	1		
	0751 010 1110	Cable 10 m Up to Serial Number: 036947526	1		
21	0751 030 8953	Terminal socket 4.8-1 Up to Serial Number: 036947526	4		
22	0751 030 8470	Grommet Up to Serial Number: 036947526	3		
23		Hose 170 mm / 6 3/4" Up to Serial Number: 036947526	1		
	4203 711 7201	Hose 960 mm / 37 13/16" Up to Serial Number: 036947526	1		

Gear head, Drive tube assembly HT 75



Gear head, Drive tube assembly HT 75

#	Part Number	Description	Quantity	Contains Item(s)	Remarks
1	4182 007 1050	Kit telescopic shaft / gear	1	2 - 5, 7 - 14, 16 - 22, 25 - 37, 46 - 78	
2	4182 640 0138	Gear head	1	3 - 5, 7 - 14, 16 - 22, 25 - 37, 46	
3	4182 641 0300	Gear housing	1		
4	4138 640 3200	Oil pump	1		
5	4138 640 7302	Set of pinions 1.27	1		
6	4138 640 7303	Set of pinions 1.27	1		
7	9503 003 9860	Grooved ball bearing 609-2RS	1		
8	9503 003 5190	Grooved ball bearing 6001-2RS	1		
9	9503 003 5030	Grooved ball bearing 6000-2RS	2		
10	9455 621 0850	Circlip 10x1	1		
11	4138 641 0400	Gearbox cover	1		
12	9022 371 1050	Spline screw IS-M5x25	8		
13	4138 642 8201	Ring	1		
14	4182 162 8900	Washer	2		
15	0000 640 2002	Chain sprocket 3/8"P 6 teeth	1	14	
16	0000 640 2003	Chain sprocket 3/8"P 7 teeth	1	14	
17	9485 648 1694	Cup spring 28x10.2x1.25	3		
18	1208 162 4200	Collar screw	1		
19	0000 953 1402	Stud M8	1		
20	1128 640 9100	Valve	1		
21	4138 353 2700	Connector	1		
22	1117 647 6801	Strainer	1		
23	0783 830 2000	Tube of sealant HT red	1		
24	0781 120 1118	Gear lubricant 225 g	1		
25	4182 350 0304	Oil tank	1	28, 29, 46	

Gear head, Drive tube assembly HT 75

#	Part Number	Description	Quantity	Contains Item(s)	Remarks
26	4138 351 1000	Gasket	1		
27	0000 951 1100	Screw IS-D5x20	4		
28	0000 350 0537	Oil filler cap	1	29	
29	9645 948 2470	O-ring 23x3	1		
30	1123 648 6600	Bumper strip	2		
31	1129 007 1000	Spur gear / chain adjusting screw kit	1		
32	1123 640 1900	Tensioner slide	1		
33	1123 664 1400	Thrust pad	1		
34	1123 664 2200	Cover	1		
35	4138 640 1703	Chain sprocket cover	1	36	
36	0000 961 1409	Ring	1		
37	0000 955 0801	Hexagon nut M8	1		
38	3610 000 0044	61PMM3 chain Picco Micro Mini 3	1		
39	3610 005 0044	61PMM3 chain Picco Micro Mini 3	1		
40	3610 002 0044	61PMM3 chain Picco Micro Mini 3	1		
41	3005 000 3905	Guide bar 30cm/12" 1,1mm/0.043" 3/8"P	1		
42	3612 000 0044	63PD3 chain Picco Duro	1		
43	3005 000 7405	Rollomatic E Light 12" 3/8" Picco .050"/1,3mm	1		
44	3005 000 4805	Rollomatic E 12" 3/8" Picco .050"/1.3mm	1		
46	0000 967 7337	Warning pictogram HT	1		
47	4182 710 7140	Drive tube assembly	1	48 - 78	
48	4138 710 7105	Drive tube assembly Ø 38 mm x 1.62 m / 1 1/2" x 63 39/50"	1		
49	4138 716 6500	Clamp	1		
50	4182 967 7200	Warning pictogram	1		
51	4138 740 3702	Clamping piece	1	50	
52	9645 948 7995	O-ring 40x4	2		

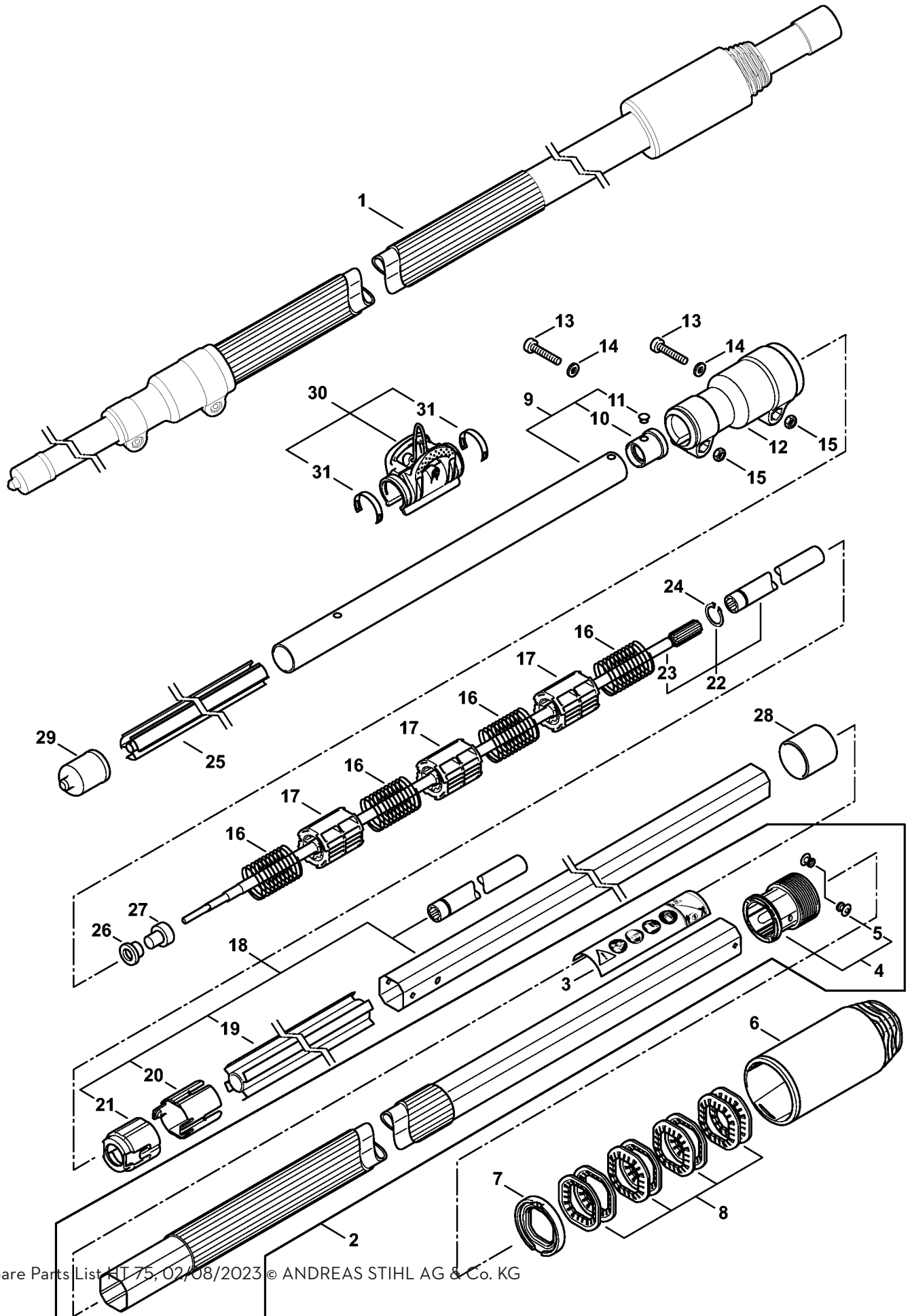
Gear head, Drive tube assembly HT 75

#	Part Number	Description	Quantity	Contains Item(s)	Remarks
53	9022 371 1020	Spline screw IS-M5x20	4		
54	9022 341 1300	Spline screw IS-M6x20	1		
55	9210 260 0700	Hexagon nut M5	4		
56	9210 319 0900	Hexagon nut M6	1		
57	9008 319 1350	Hexagon head screw M6x25	1		
58	4138 716 1200	Wing nut	1		
59	4182 791 7201	Sleeve	2		
60	4182 710 7111	Drive tube assembly Ø 25.4 mm / 1"	1	61, 62	
61	4138 740 3200	Bearing	1		
62	9438 003 3171	Blind rivet 4x6.5	1		
63	4138 740 3200	Bearing	2		
64	4138 711 9100	Spring	2		
65	4182 740 3200	Bearing	1		
66	4182 710 3203	Drive shaft	1	67 - 71	
67	9458 621 1130	Snap ring A12	1		
68	9455 621 1520	Circlip 15x1	1		
69	4182 710 3204	Drive shaft	1	71	
70	4182 710 3201	Drive shaft	1	71	
71	4182 740 3501	Driver	1		
72	4138 711 9002	Ring	2		
73	4138 711 7300	Flexible liner 1241 mm / 48 7/8"	1		
74	4182 711 7301	Flexible liner 400 mm	1		
75	4182 710 7106	Drive tube assembly Ø 25.4 mm / 1"	1	65, 76, 77	
76	9291 021 0100	Washer 4.3	3		
77	9438 003 3171	Blind rivet 4x6.5	2		
78	4133 717 2000	Cap	2		
79	4140 007 1006	Hose clamp kit	1	80	

Gear head, Drive tube assembly HT 75

#	Part Number	Description	Quantity	Contains Item(s)	Remarks
80	9022 341 1270	Spline screw IS-M6x14	1		
81	0781 120 6000	Grease for telescopic boom	1		
82	0781 957 9000	Press fluid OH 723	1		

Drive tube assembly HT 75



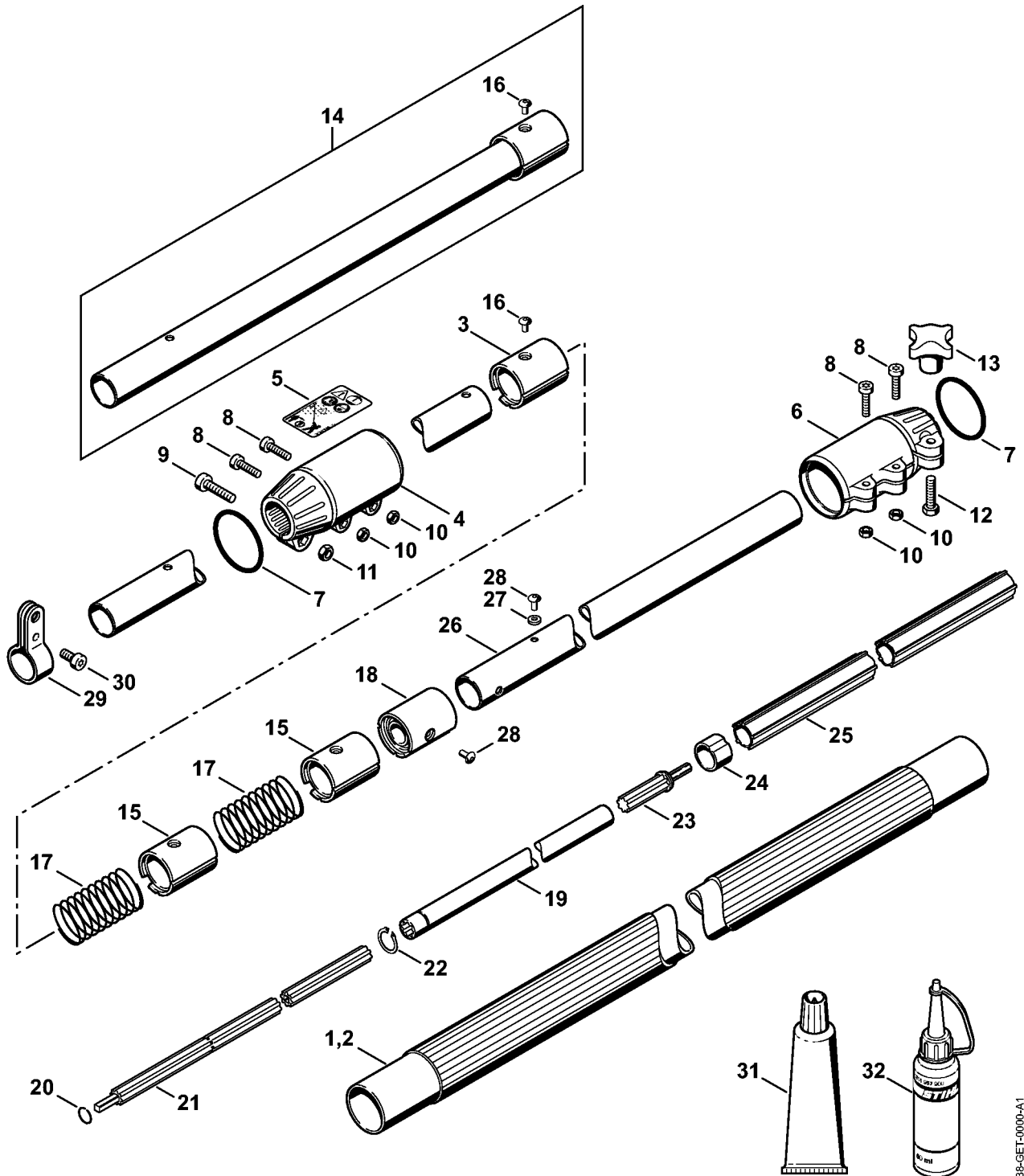
Drive tube assembly HT 75

#	Part Number	Description	Quantity	Contains Item(s)	Remarks
1	4182 710 7131	Drive tube assembly	1	2 - 27	
2	4182 710 7123	Drive tube assembly Ø 38 mm	1	3 - 5	
3	0000 967 7319	Warning pictogram HT	1		
4	4182 740 3722	Clamping piece	1	5	
5	9440 003 1851	Blind rivet 3x5-ST/ST	2		
6	4182 716 0320	Nut	1		
7	4182 716 1920	Sealing ring	1		
8	4182 007 1005	Kit spring washer	1		8 pieces
9	4182 710 7127	Drive tube assembly Ø 25,4 mm	1	10, 11	
10	4182 710 7350	Sleeve	1	11	
11	9440 794 2435	Blind rivet A4,8x6-Al/St FH	1		
12	4857 716 6503	Clamp	1		
13	9022 341 1370	Spline screw IS-M6x30	2		
14	9294 021 0140	Washer 6.4	2		
15	9210 319 0900	Hexagon nut M6	2		
16	4138 711 9100	Spring	4		
17	4182 740 3215	Bearing	3		
18	4182 710 7125	Drive tube assembly Ø 33 mm	1	19 - 21	
19	4182 711 7322	Flexible liner	1		
20	4182 711 9822	Spacer ring	1		
21	4182 710 7322	Sleeve	1		
22	4182 710 3211	Drive shaft	1	23, 24	
23	4182 710 3214	Drive shaft	1		
24	9455 621 1520	Circlip 15x1	1		
25	4182 711 7321	Flexible liner	1		
26	4182 711 2524	Sleeve	1		
27	4182 711 2523	Sleeve	1		

Drive tube assembly HT 75

#	Part Number	Description	Quantity	Contains Item(s)	Remarks
28	4133 717 2000	Cap	1		
29	4182 717 2000	Cap	1		
30	0000 790 8600	Clip HT	1	31	
31	0000 791 3110	Spring	2		

Drive tube assembly HT 75 (42.2007)



4138-GET-0000-A1

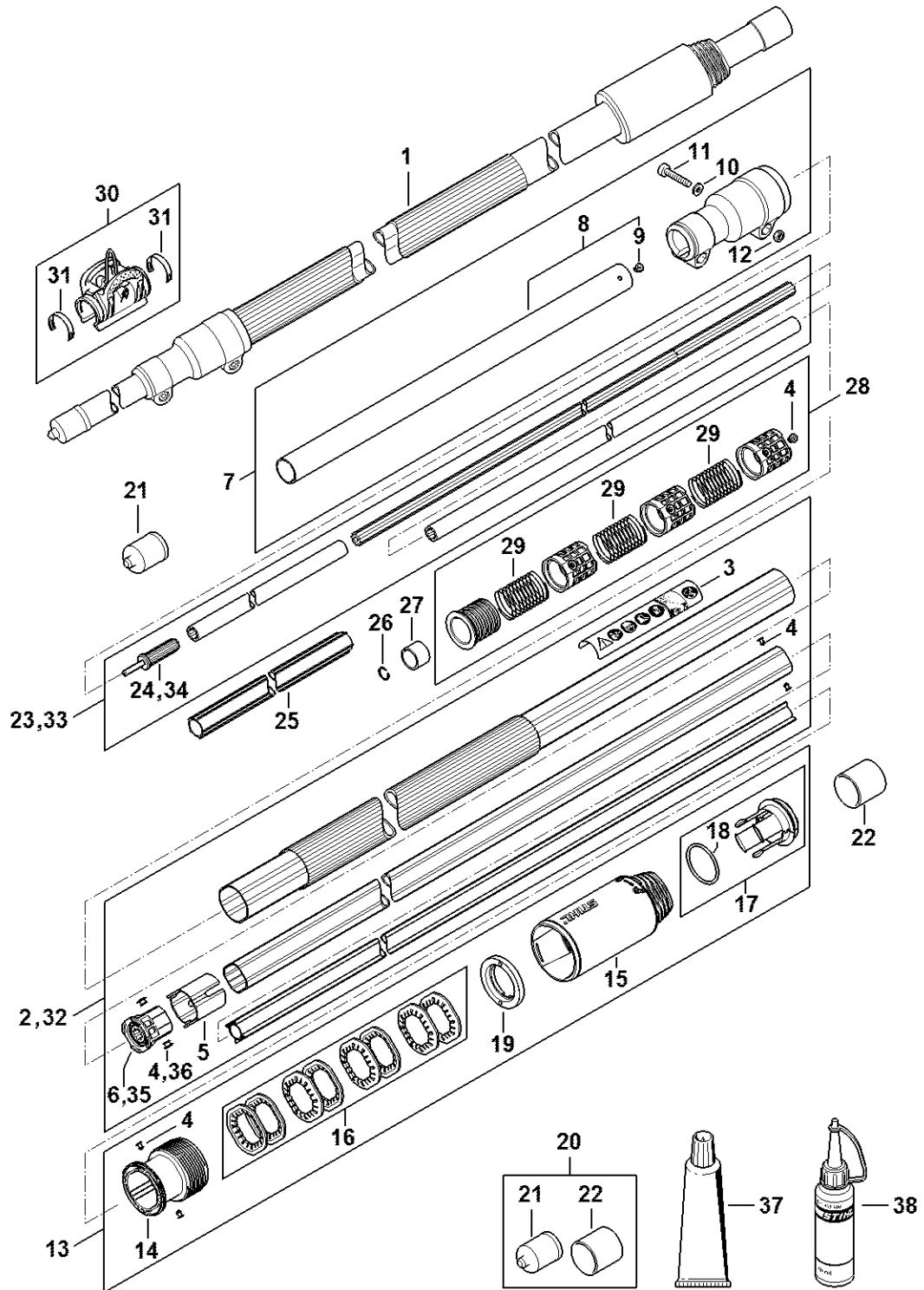
Drive tube assembly HT 75 (42.2007)

#	Part Number	Description	Quantity	Contains Item(s)	Remarks
1	4138 710 7103	Drive tube assembly Ø 38 mm / 1 1/2"	1	2, 5 - 28	
2	4138 710 7105	Drive tube assembly Ø 38 mm x 1.62 m / 1 1/2" x 63 39/50"	1		
3	4138 740 3201	Bearing	1	4 - 6, 16	
4	4138 740 3701	Clamping piece	2	5	
5	4182 967 3700	Warning pictogram HT	1		
6	4138 716 6500	Clamp	1		
7	9645 948 7995	O-ring 40x4	2		
8	9022 371 1020	Spline screw IS-M5x20	4		
9	9022 341 1300	Spline screw IS-M6x20	1		
10	9210 260 0700	Hexagon nut M5	4		
11	9210 319 0900	Hexagon nut M6	1		
12	9008 319 1350	Hexagon head screw M6x25	1		
13	4138 716 1200	Wing nut	1		
14	4138 710 7101	Drive tube assembly Ø 25.4 mm / 1"	1	16	
15	4138 740 3200	Bearing	2		
16	9438 003 3171	Blind rivet 4x6.5	1		
17	4138 711 9100	Spring	2		
18	4182 740 3200	Bearing	1		
19	4138 710 3203	Drive shaft	1	20 - 23	
20	9458 621 1130	Snap ring A12	1		
21		Drive shaft	1		
22	9455 621 1520	Circlip 15x1	1		
23	4138 740 3501	Driver	1		
24	4138 711 9002	Ring	1		
25	4138 711 7300	Flexible liner 1241 mm / 48 7/8"	1		
26	4138 710 7115	Drive tube assembly Ø 25.4 mm / 1"	1	18, 24, 27, 28	

Drive tube assembly HT 75 (42.2007)

#	Part Number	Description	Quantity	Contains Item(s)	Remarks
27	9291 021 0100	Washer 4.3	3		
28	9438 003 3171	Blind rivet 4x6.5	2		
29	4140 007 1006	Hose clamp kit	1	30	
30	9022 341 1270	Spline screw IS-M6x14	1		
31	0781 120 6000	Grease for telescopic boom	1		
32	0781 957 9000	Press fluid OH 723	1		

Drive tube assembly HT 75



4182-GET-0172-AG

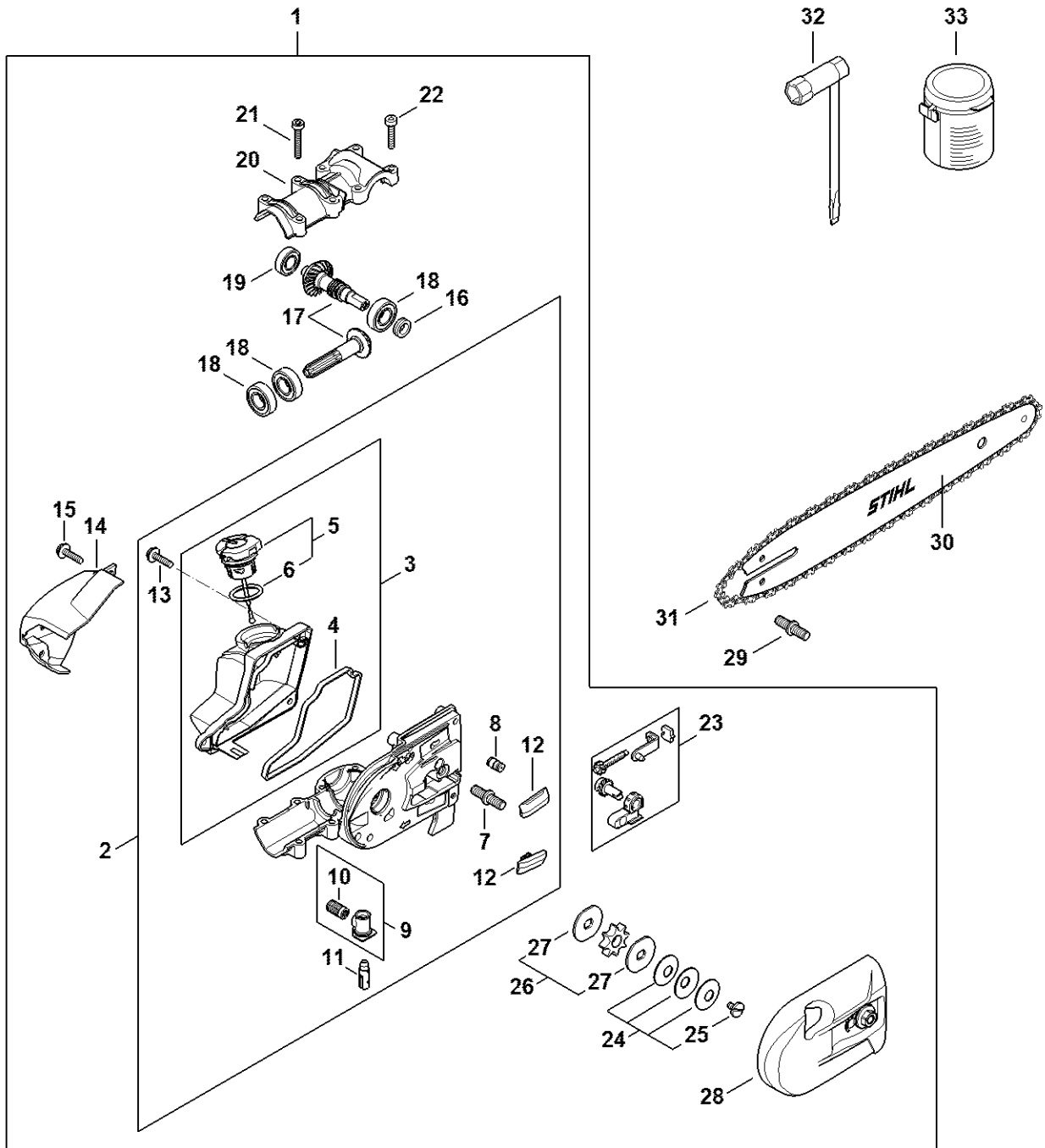
Drive tube assembly HT 75

#	Part Number	Description	Quantity	Contains Item(s)	Remarks
1	4182 710 7155	Drive tube assembly	1	2 - 26, 28, 29	
2	4182 710 7157	Drive tube assembly	1	3 - 6	
3	0000 967 7319	Warning pictogram HT	1		
4	9440 003 1851	Blind rivet 3x5-ST/ST	2		
5	4182 711 9822	Spacer ring	1		
6	4182 740 3209	Bearing	1		
7	4182 710 7138	Drive tube assembly 25.4-mm-x-1-mm	1	8 - 12, 26	
8	4182 710 7137	Drive tube assembly 25.4 mm x 1 mm	1	9	
9	9438 003 3171	Blind rivet 4x6.5	2		
10	9294 021 0140	Washer 6.4	2		
11	9022 341 1370	Spline screw IS-M6x30	2		
12	9210 319 0900	Hexagon nut M6	2		
13	4182 820 1600	Nut	1	4, 14 - 19	
14	4182 716 6520	Clamp	1		
15	4182 716 0320	Nut	1		
16	4182 007 1005	Kit spring washer	1		
17	4182 007 0800	Set O-ring	1	18	
18	9645 948 7895	O-ring N 33x2,5	1		
19	4182 716 9400	Spacer ring	1		
20	4182 007 1010	Cap kit	1	21, 22	
21	4133 717 2000	Cap	1		
22	4182 717 2000	Cap	1		
23	4182 710 3237	Drive shaft	1	24	
24	4182 740 3503	Driver	1		
25	4182 711 7327	Flexible liner	1		
26	9458 621 1130	Snap ring A12	1		
27	4138 711 9002	Ring	1		

Drive tube assembly HT 75

#	Part Number	Description	Quantity	Contains Item(s)	Remarks
28	4182 007 0601	Set of bearings	1	9, 29	
29	4138 711 9100	Spring	3		
30	0000 790 8600	Clip HT	1	31	
31	0000 791 3110	Spring	1		
32	4182 710 7144	Drive tube assembly Up to Serial Number: 370966320	1	3 - 5, 35, 36	
33	4182 710 3234	Drive shaft Up to Serial Number: 370966320	1	34	
34	4248 740 3501	Driver	1		
35	4182 740 3203	Bearing Up to Serial Number: 370966320	1		
36	9440 794 2435	Blind rivet A4,8x6-Al/St FH Up to Serial Number: 370966320	1		
37	0781 120 6000	Grease for telescopic boom	1		
38	0781 957 9000	Press fluid OH 723	1		

Gear head HT 75



4138-GET-0012-A0

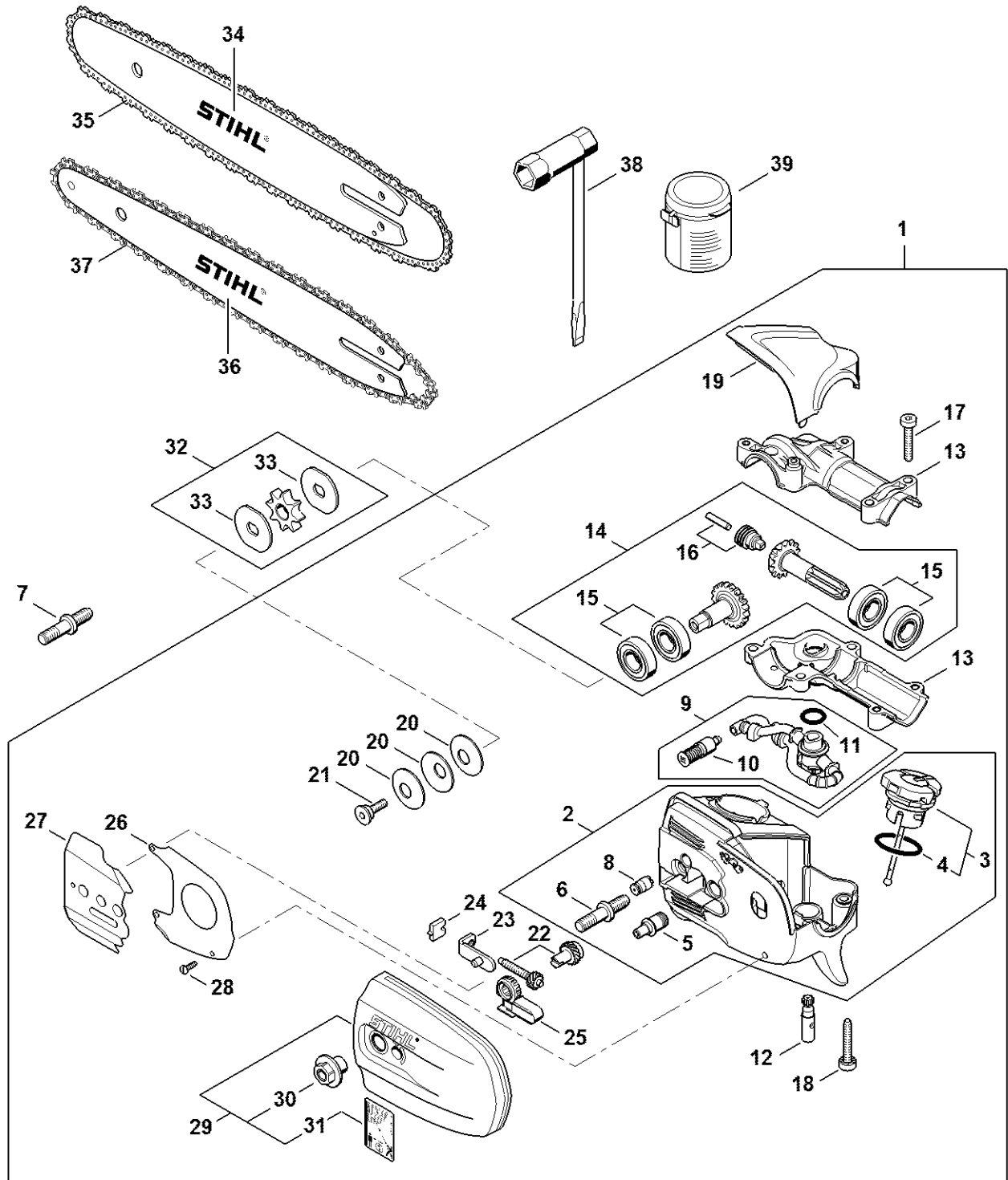
Gear head HT 75

#	Part Number	Description	Quantity	Contains Item(s)	Remarks
1	4182 640 0149	Gear head	1	2 - 28	
2	4182 640 0555	Gear housing	1	3 - 13	
3	4182 350 0306	Oil tank	1	4 - 6	
4	4182 351 1000	Gasket	1		
5	0000 350 0537	Oil filler cap	1	6	
6	9645 948 2470	O-ring 23x3	1		
7	4182 664 2401	Collar screw M8	1		
8	1128 640 9100	Valve	1		
9	4182 640 3800	Pickup body	1	10	
10	1117 647 6801	Strainer	1		
11	4138 640 3200	Oil pump	1		
12	1123 648 6600	Bumper strip	2		
13	0000 951 1100	Screw IS-D5x20	1		
14	4182 641 0900	Cover	1		
15	0000 951 1100	Screw IS-D5x20	1		
16	4138 642 8201	Ring	1		
17	4182 640 7317	Set of pinions	1		
18	9503 003 5193	Grooved ball bearing DIN625-6001-2RS	3		
19	9503 003 9863	Grooved ball bearing DIN625-609-2RS	1		
20	4182 641 0401	Gearbox cover	1		
21	9022 371 1073	Spline screw IS-M5x32	4		
22	9022 341 1050	Spline screw IS-M5x25	4		
23	4182 660 0700	Chain tightener	1		
24	4182 160 2100	Friction clutch	1	25	
25	LA01 162 4200	Collar screw	1		
26	0000 640 2002	Chain sprocket 3/8" P 6 teeth	1	27	
27	4182 162 8900	Washer	2		

Gear head HT 75

#	Part Number	Description	Quantity	Contains Item(s)	Remarks
28	4182 640 1702	Chain sprocket cover	1		
29	0000 664 2415	Collar screw D9/M8	1		
30	3005 000 3905	Guide bar 30cm/12" 1,1mm/0.043" 3/8"P	1		
31	3610 000 0044	61PMM3 chain Picco Micro Mini 3	1		
32	1129 890 3401	Combination wrench	1		
33	0781 120 1004	Gear lubricant 40 g	1		

Gear head HT 75



4182 GET 0120-A1

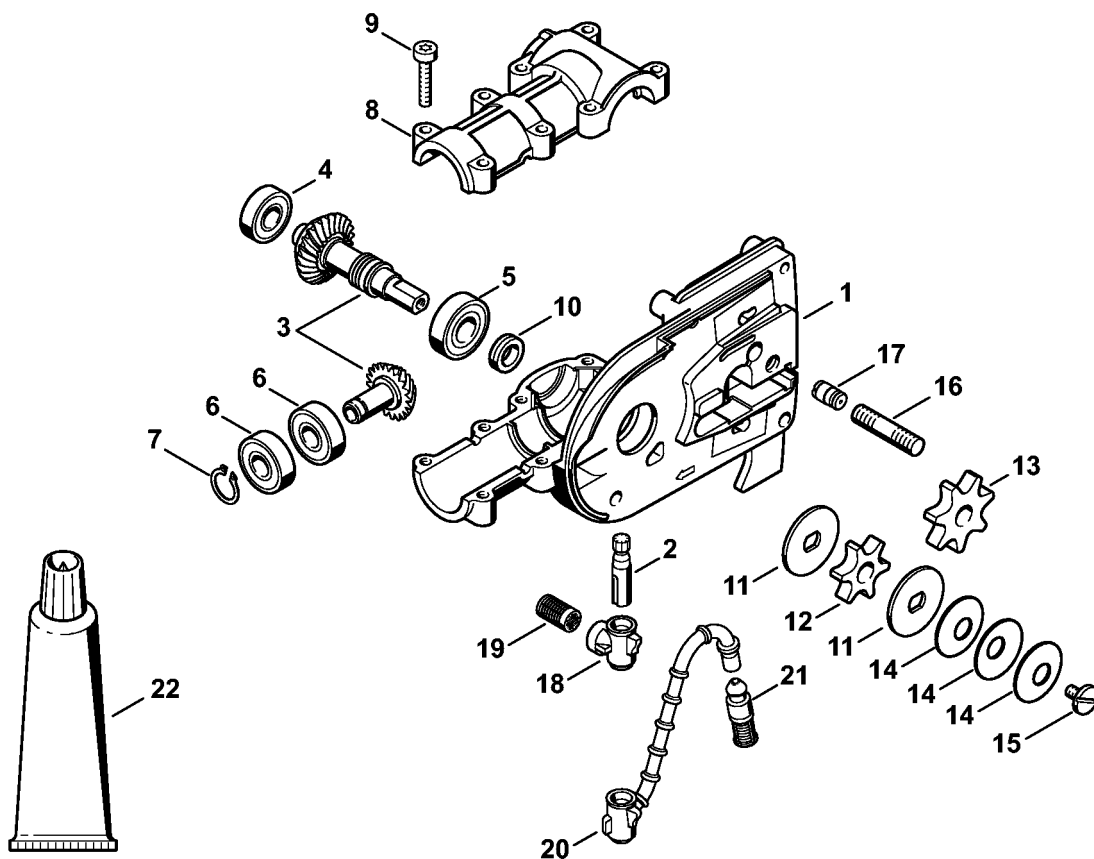
Gear head HT 75

#	Part Number	Description	Quantity	Contains Item(s)	Remarks
1	4182 640 0152	Gear head	1	2 - 6, 8 - 31	
2	4182 640 1400	Housing	1	3 - 6, 8	
3	0000 350 0539	Filler cap	1	4	
4	9645 948 2470	O-ring 23x3	1		
5	4182 641 3200	Oil line	1		
6	0000 664 2412	Collar screw D8	1		
7	0000 664 2415	Collar screw D9/M8	1		
8	1128 640 9100	Valve	1		
9	4182 640 3400	Oil hose	1	10, 11	
10	1123 640 3800	Pickup body	1		
11	9645 945 7552	O-ring 12x2-NBR70	1		
12	4182 640 3200	Oil pump 0.55	1		
13	4182 640 0553	Gear housing	1		
14	4182 640 7315	Set of pinions	1	15, 16	
15	4182 007 1004	Ball bearing kit	2		
16	4182 640 7100	Worm gear	1		
17	9022 371 1073	Spline screw IS-M5x32	2		
18	9075 478 4168	Pan head self-tapping screw IS D5x32	3		
19	4182 641 1001	Housing	1		
20	9485 648 1694	Cup spring 28x10.2x1.25	3		
21	4182 642 7500	Collar screw M5	1		
22	1123 007 1004	Spur gear / chain adjusting screw kit	1		
23	1129 640 1900	Tensioner slide	1		
24	1123 664 1400	Thrust pad	1		
25	4182 664 2200	Cover	1		
26	4182 664 1001	Inner side plate	1		
27	4182 664 1000	Inner side plate	1		

Gear head HT 75

#	Part Number	Description	Quantity	Contains Item(s)	Remarks
28	9104 003 8600	Self-tapping screw P3x10	4		
29	4182 640 1701	Chain sprocket cover	1	30, 31	
30	0000 995 0800	Collar nut M8	1		
31	0000 967 7337	Warning pictogram HT	1		
32	0000 640 2001	Chain sprocket 1/4"P 8 teeth	1	33	
33	4182 162 8900	Washer	2		
34	3005 008 3405	Guide bar 30cm/12" 1,1mm/0.043" 1/4"P	1		
35	3670 000 0064	71PM3 chain Picco Micro	1		
36	3005 008 3403	Guide bar 25 cm / 10" 1.1 mm / 0.043" / 1/4" Picco	1		
37	3670 000 0056	71PM3 chain Picco Micro	1		
38	1129 890 3401	Combination wrench	1		
39	0781 120 1004	Gear lubricant 40 g	1		

Gear head HT 70 (38.2016)

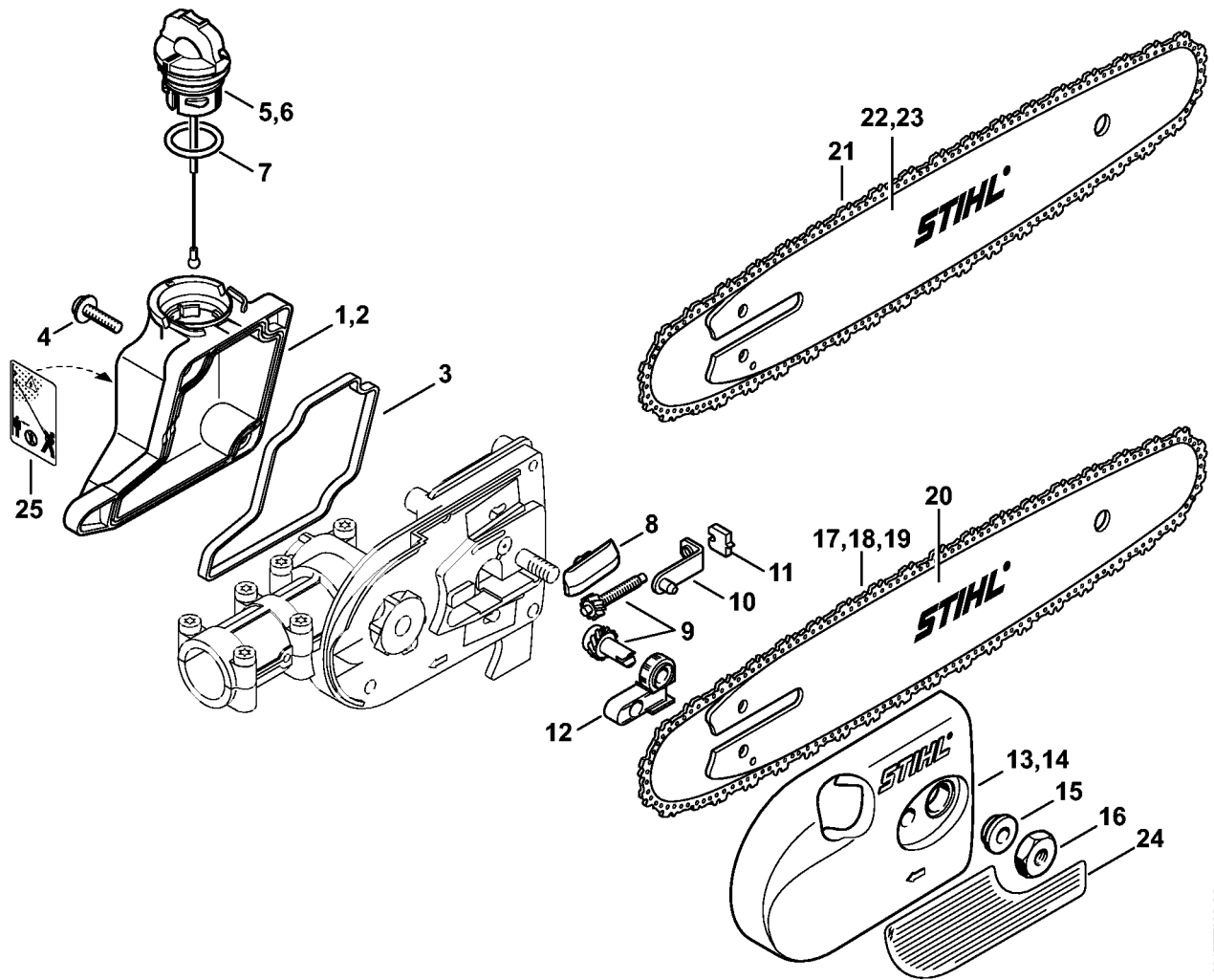


0617ET002.SC

Gear head HT 70 (38.2016)

#	Part Number	Description	Quantity	Contains Item(s)	Remarks
	4182 640 0126	Gearhead	1	1 - 16	
1	4182 641 0300	Gear housing	1		
2	4138 640 3200	Oil pump	1		
3	4182 640 7303	Set of pinions 1.27	1		
4	9503 003 9860	Grooved ball bearing 609-2RS	1		
5	9503 003 5190	Grooved ball bearing 6001-2RS	1		
6	9503 003 5030	Grooved ball bearing 6000-2RS	2		
7	9455 621 0850	Circlip 10x1	1		
8	4138 641 0400	Gearbox cover	1		
9	9022 371 1050	Spline screw IS-M5x25	8		
10	4138 642 8201	Ring	1		
11	4182 162 8900	Washer	2		
12	0000 640 2002	Chain sprocket 3/8"P 6 teeth	1	11	
13	0000 640 2003	Chain sprocket 3/8"P 7 teeth	1	11	
14	9485 648 1694	Cup spring 28x10.2x1.25	3		
15	1208 162 4200	Collar screw	1		
16	0000 953 1402	Stud M8	1		
17	1128 640 9100	Valve	1		
19	1117 647 6801	Strainer	1		
22	0783 830 2000	Tube of sealant HT red	1		
	0781 120 1118	Gear lubricant 225 g	1		

Oil tank, Chain sprocket cover HT 70 (38.2016)

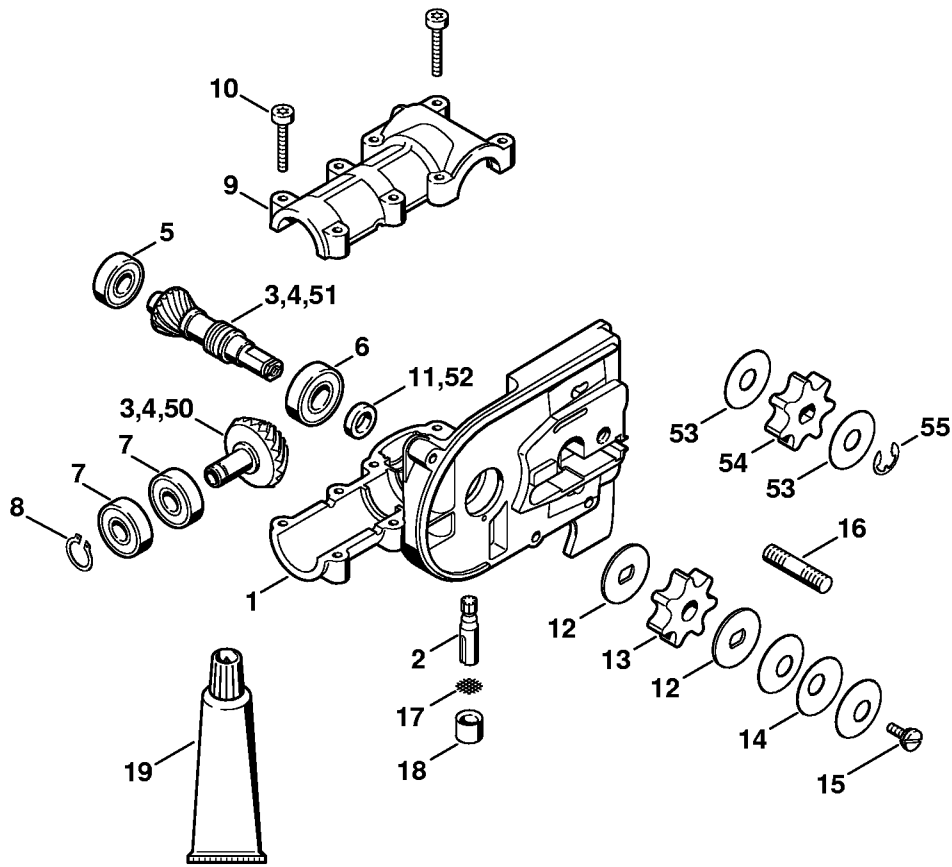


0617ET003 SC

Oil tank, Chain sprocket cover HT 70 (38.2016)

#	Part Number	Description	Quantity	Contains Item(s)	Remarks
3	4138 351 1000	Gasket	1		
4	0000 951 1100	Screw IS-D5x20	4		
7	9645 948 2470	O-ring 23x3	1		
8	1123 648 6600	Bumper strip	2		
9	1129 007 1000	Spur gear / chain adjusting screw kit	1		
10	1123 640 1900	Tensioner slide	1		
11	1123 664 1400	Thrust pad	1		
12	1123 664 2200	Cover	1		
13	4138 640 1703	Chain sprocket cover	1	15	
14	4138 640 1704	Chain sprocket cover	1	15, 24	USA
15	0000 961 1409	Ring	1		
16	0000 955 0801	Hexagon nut M8	1		
17	3610 000 0044	61PMM3 chain Picco Micro Mini 3	1		
18	3610 005 0044	61PMM3 chain Picco Micro Mini 3	1		USA
19	3610 002 0044	61PMM3 chain Picco Micro Mini 3	1		CDN
20	3005 000 3905	Guide bar 30cm/12" 1,1mm/0.043" 3/8"P	1		
21	3612 000 0044	63PD3 chain Picco Duro	1		
22	3005 000 7405	Rollomatic E Light 12" 3/8" Picco .050"/1,3mm	1		
23	3005 000 4805	Rollomatic E 12" 3/8" Picco .050"/1.3mm	1		
24	0000 967 7507	Warning note	1		USA

Gear head HT 75 (38.2002), (22.2011)



390ET026 GM

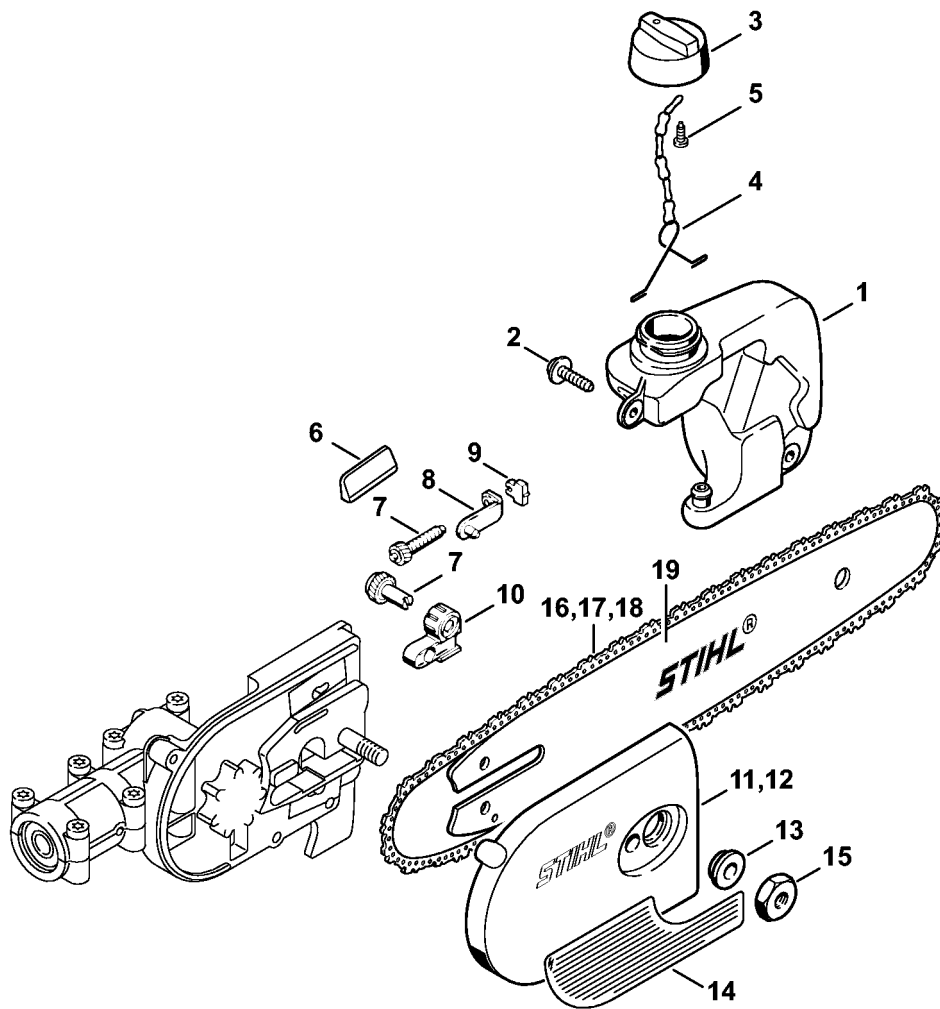
Gear head HT 75 (38.2002), (22.2011)

#	Part Number	Description	Quantity	Contains Item(s)	Remarks
	4138 640 0114	Gearhead	1	1 - 3, 5 - 16	
1	4138 641 0300	Gear housing	1		
2	4138 640 3200	Oil pump	1		
3	4182 640 7303	Set of pinions 1.27	1		
4	4138 640 7301	Set of pinions 0.8	1		
5	9503 003 9860	Grooved ball bearing 609-2RS	1		
6	9503 003 5190	Grooved ball bearing 6001-2RS	1		
7	9503 003 5030	Grooved ball bearing 6000-2RS	2		
8	9455 621 0850	Circlip 10x1	1		
9	4138 641 0400	Gearbox cover	1		
10	9022 371 1050	Spline screw IS-M5x25	8		
	4138 007 1001	Friction clutch assembly	1	4, 11 - 15	
11	4138 642 8201	Ring	1		
12	4182 162 8900	Washer	2		
13	0000 640 2003	Chain sprocket 3/8"P 7 teeth	1	12	
14	9485 648 1694	Cup spring 28x10.2x1.25	3		
15	1208 162 4200	Collar screw	1		
16	0000 953 1402	Stud M8	1		
17	4138 351 9300	Strainer	1		
18	4138 353 2900	Rubber buffer	1		
19	0783 830 2000	Tube of sealant HT red	1		
	0781 120 1118	Gear lubricant 225 g	1		
	4138 640 0105	Gearhead Up to Serial Number: 239949386	1	1, 2, 5 - 10, 50 - 55	
	4138 640 7300	Set of pinions 0.8 Up to Serial Number: 239949386	1	50, 51	
50		Pinion Up to Serial Number: 239949386	1		

Gear head HT 75 (38.2002), (22.2011)

#	Part Number	Description	Quantity	Contains Item(s)	Remarks
51		Shaft Up to Serial Number: 239949386	1		
52	4138 642 8200	Ring Up to Serial Number: 239949386	1		
53	0000 958 0506	Washer Up to Serial Number: 239949386	2		
54	1206 642 1301	Chain sprocket 3/8" Picco 7T Up to Serial Number: 239949386	1		
55	9460 624 0801	E-clip 8x1.3 Up to Serial Number: 239949386	1		
	0781 120 1118	Gear lubricant 225 g	1		

Oil tank, Chain sprocket cover (38.2002)

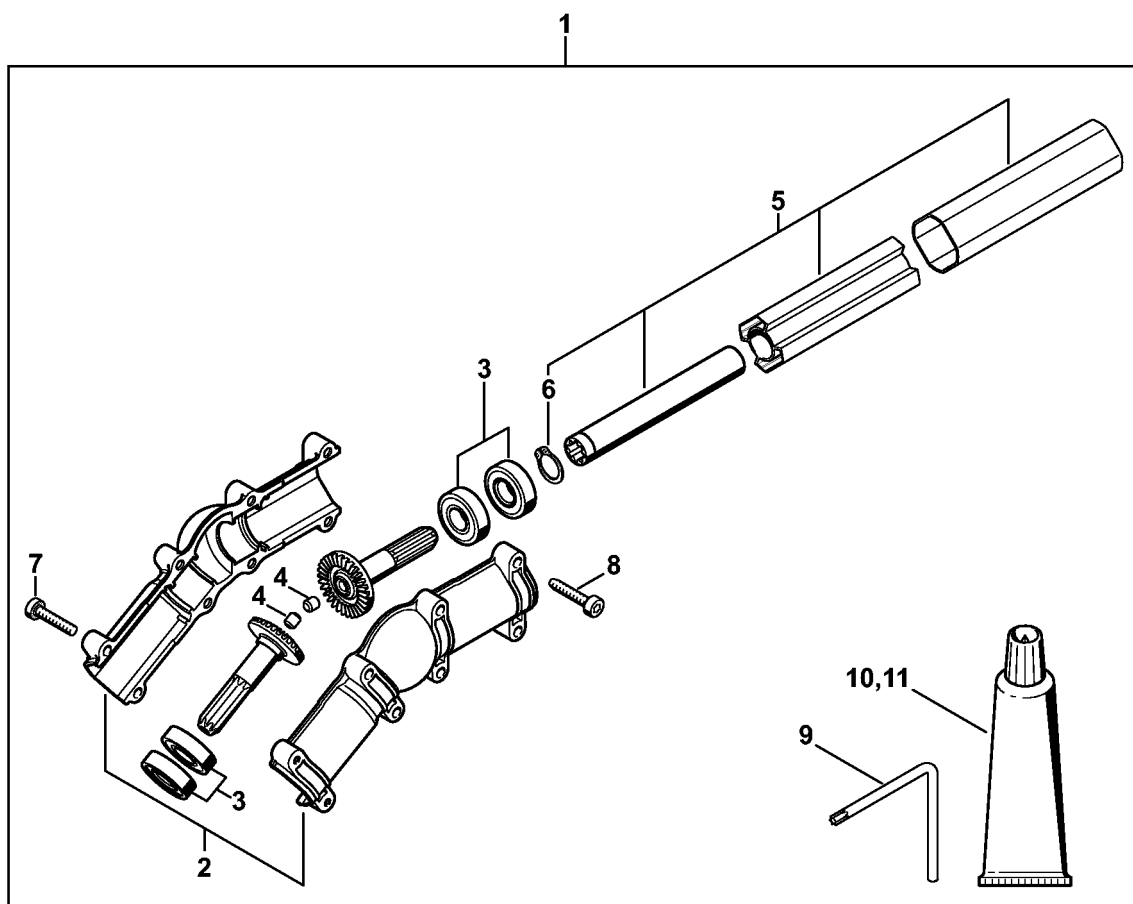


390ET052 SC

Oil tank, Chain sprocket cover (38.2002)

#	Part Number	Description	Quantity	Contains Item(s)	Remarks
1	4138 350 4400	Oil tank	1		
2	0000 951 1100	Screw IS-D5x20	2		
3	1206 640 3600	Oil filler cap	1	4, 5	
4	1117 350 0905	Filler cap retainer	1		
5	9099 021 2360	Self-tapping screw 3.5x9.5	1		
6	1123 648 6600	Bumper strip	2		
7	1129 007 1000	Spur gear / chain adjusting screw kit	1		
8	1123 640 1900	Tensioner slide	1		
9	1123 664 1400	Thrust pad	1		
10	1123 664 2200	Cover	1		
11	4138 640 1702	Chain sprocket cover	1	13	
12	4138 640 1700	Chain sprocket cover	1	13, 14	USA
13	0000 961 1409	Ring	1		
14	0000 967 7507	Warning note	1		USA
15	0000 955 0801	Hexagon nut M8	1		
16	3610 000 0044	61PMM3 chain Picco Micro Mini 3	1		
17	3610 005 0044	61PMM3 chain Picco Micro Mini 3	1		USA
18	3610 002 0044	61PMM3 chain Picco Micro Mini 3	1		CDN
19	3005 000 3905	Guide bar 30cm/12" 1,1mm/0.043" 3/8"P	1		

Angle drive

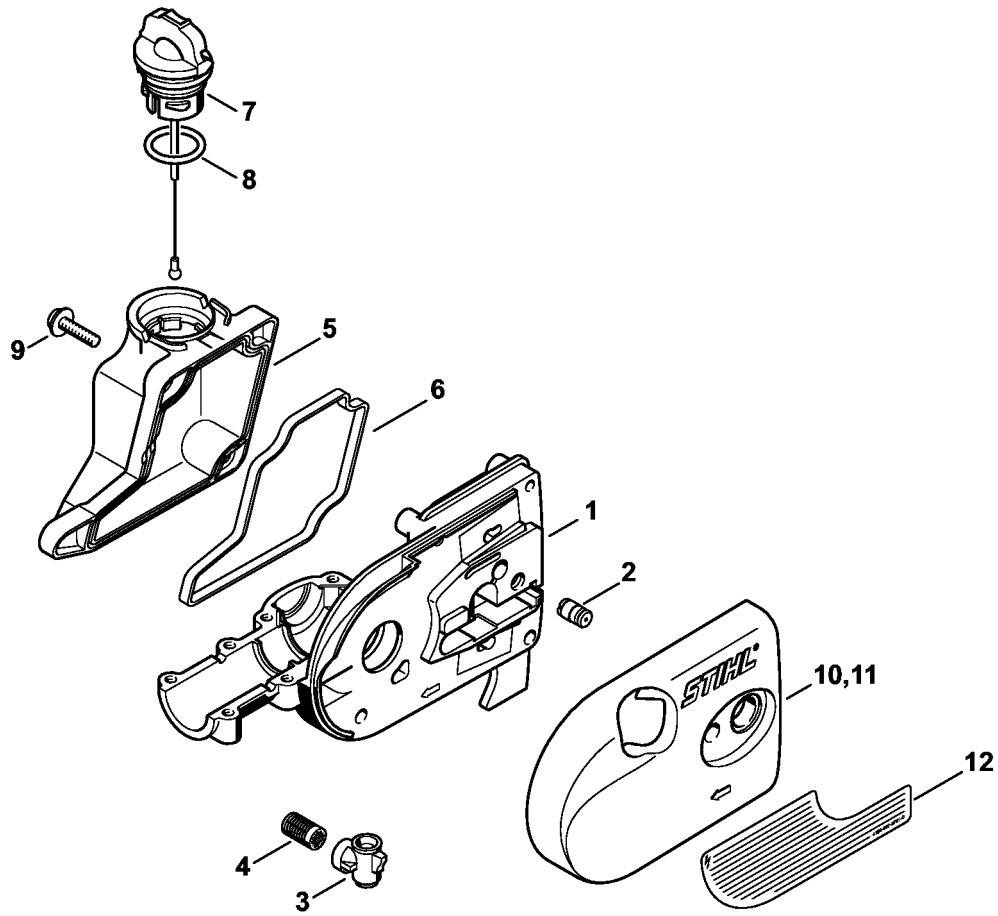


4182-GET-0013-A1

Angle drive

#	Part Number	Description	Quantity	Contains Item(s)	Remarks
1	4182 640 0200	Angle drive	1	2 - 8	
2	4182 640 0554	Gear housing	1		
3	4182 007 1004	Ball bearing kit	2		
4	0000 988 6115	Plug	2		
5	4182 710 7126	Drive tube assembly	1	6	
6	9455 621 1520	Circlip 15x1	1		
7	9075 478 4175	Pan head self-tapping screw IS-D5x28	6		
8	9022 371 1050	Spline screw IS-M5x25	2		
9	0812 370 1000	Screwdriver T27x120x70	1		
10	0783 830 2000	Tube of sealant HT red	1		
11	0781 120 1118	Gear lubricant 225 g	1		

Conversion kit Gear housing (22.2011)

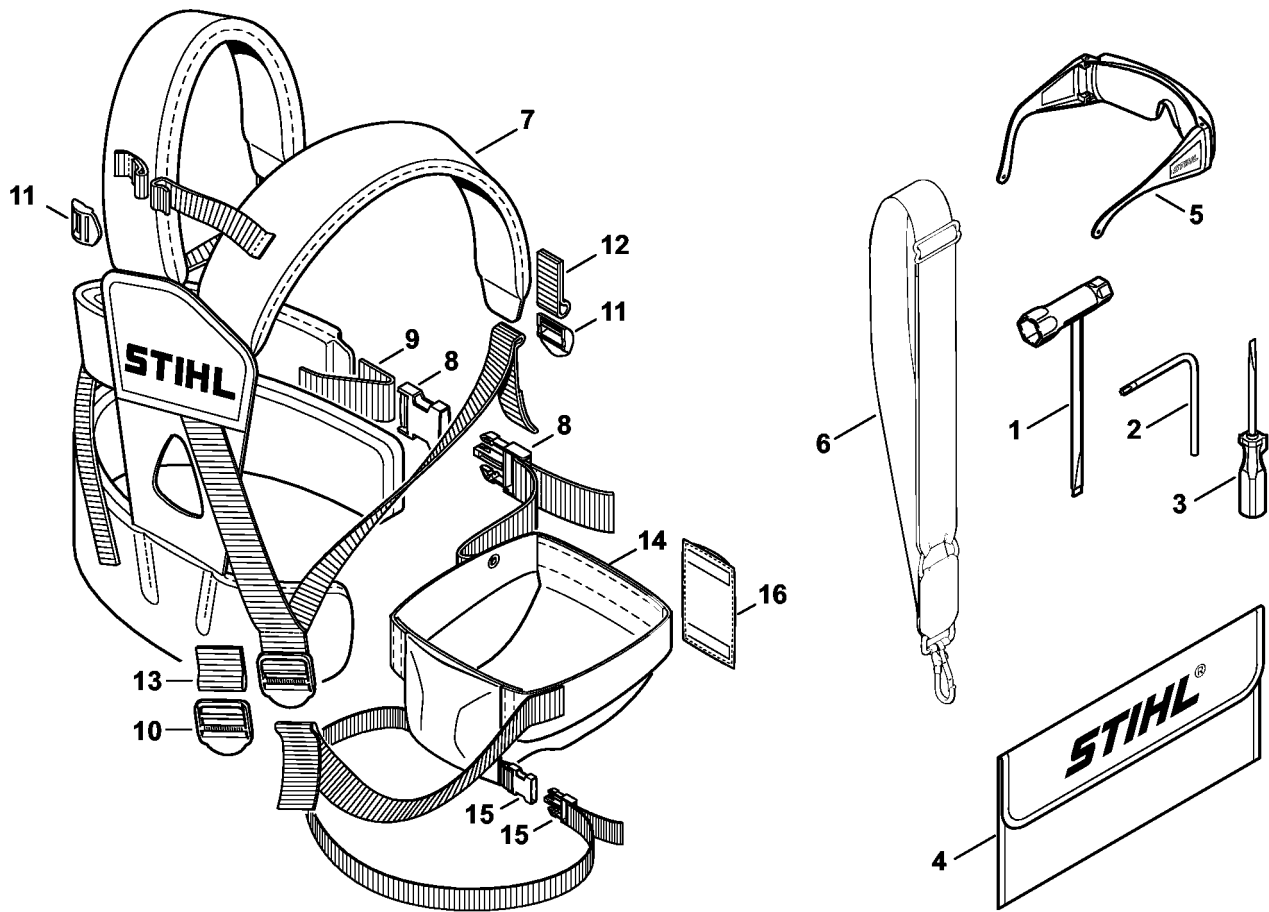


388ET002 SC

Conversion kit Gear housing (22.2011)

#	Part Number	Description	Quantity	Contains Item(s)	Remarks
	4138 640 0550	Gear housing	1	1 - 10	
	4138 640 0551	Gear housing	1	1 - 9, 11, 12	USA
1	4138 641 0301	Gear housing	1		
2	1128 640 9100	Valve	1		
3	4138 353 2700	Connector	1		
4	1117 647 6801	Strainer	1		
5	4138 351 0300	Oil tank	1		
6	4138 351 1000	Gasket	1		
7	0000 350 0537	Oil filler cap	1	8	
8	9645 948 2470	O-ring 23x3	1		
9	0000 951 1100	Screw IS-D5x20	4		
10	4138 640 1703	Chain sprocket cover	1		
11	4138 640 1704	Chain sprocket cover	1	12	USA
12	0000 967 7507	Warning note	1		USA

Tools, Full harness

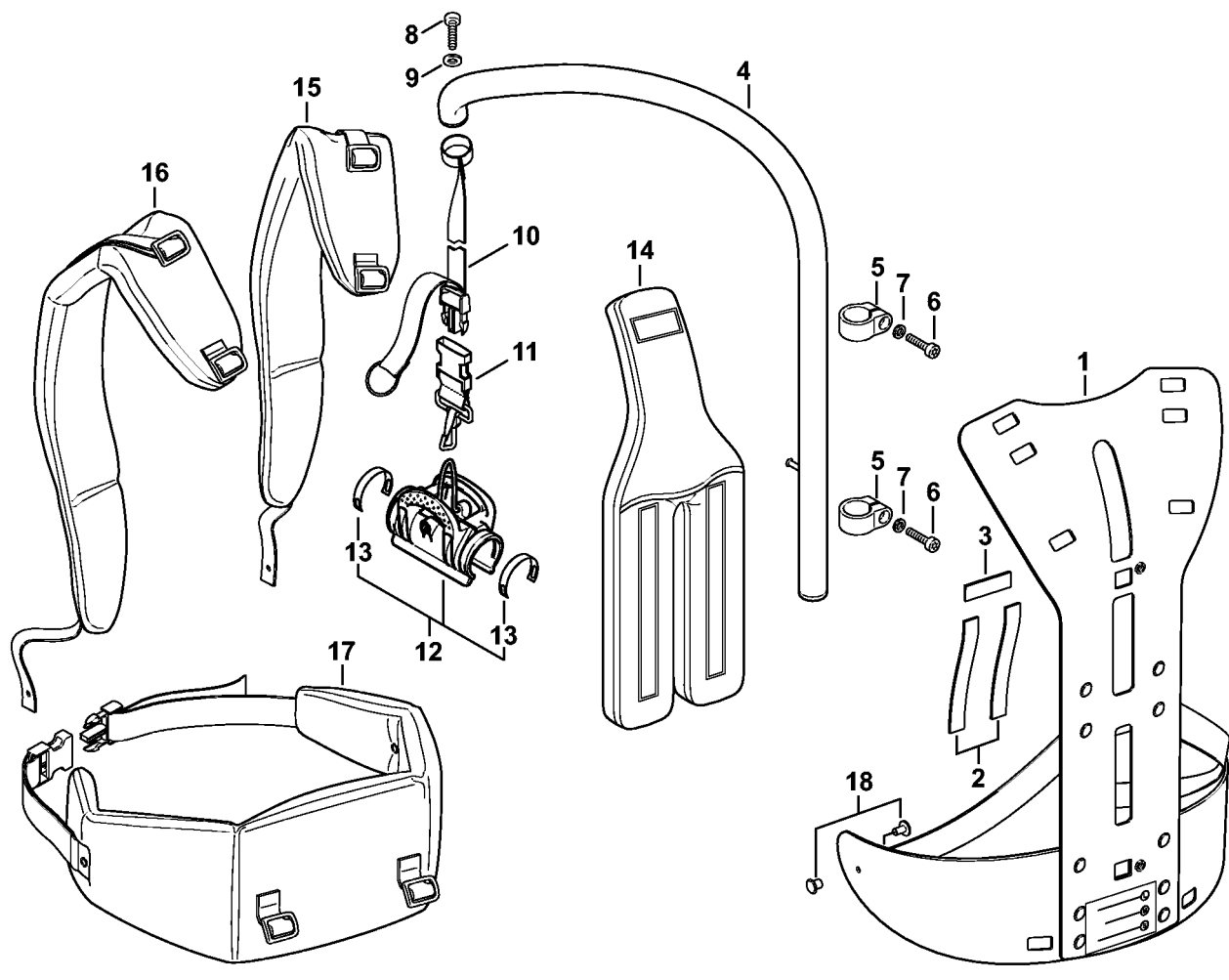


4198-GET-0001-A0

Tools, Full harness

#	Part Number	Description	Quantity	Contains Item(s)	Remarks
1	1129 890 3401	Combination wrench	1		
3	0000 890 2300	Screwdriver	1		
4	0000 891 0810	Tool roll	1		
5	0000 884 0307	Safety glasses	1		
6	4130 710 9000	Harness	1		
	4138 710 9001	Full harness HT	1	7 - 16	
7	4134 710 9004	Full harness	1	8 - 13	
8	4134 710 6401	Buckle	1		
9		Strap 38x200 mm / 1.5x7.9"	1		
	0000 930 2242	Webbing 38 mm x 5 m / 1.5x197"	1		
10	4134 718 6300	Slide	1		
11	4203 792 7200	Slide	3		
12		Strap 25x220 mm / 1x8.7"	1		
	0000 930 2241	Webbing 25 mm x 10 m / 1" x 33'	1		
13		Strap 38x80 mm / 1.5x3.1"	1		
14	4138 790 2802	Basket	1	15, 16	
15	4138 710 6400	Buckle	1		
16	4138 718 6400	Pad	1		

Back mounted support system RTS

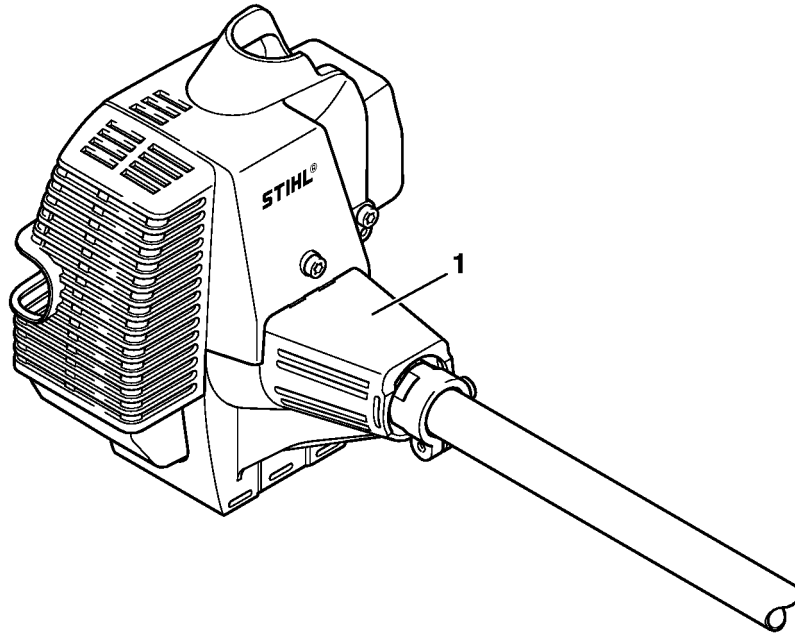


4182-GET-0014-A0

Back mounted support system RTS

#	Part Number	Description	Quantity	Contains Item(s)	Remarks
	0000 790 4400	Back mounted support system RTS	1	1 - 11, 14 - 18	
1	4182 790 6800	Support frame	1		
2		Cling strip 235 mm	2		
3		Cling strip 80 mm	1		
	4182 792 2100	Cling strip	1		
4	4182 790 2900	Tube	1		
5	4182 791 9400	Hose clamp	2		
6	9022 341 1070	Spline screw IS-M5x30	2		
7	9291 021 0120	Washer 5.3	2		
8	0000 951 1100	Screw IS-D5x20	1		
9	9307 021 0120	Washer 5.3	2		
10	4182 791 8000	Webbing	1		
11	4249 710 6900	Spring safety hook	1		
12	0000 790 8600	Clip HT	1	13	
13	0000 791 3110	Spring	2		
14	4182 790 8000	Back rest pad	1		
15	4182 710 9000	Harness, right	1		
16	4182 710 9001	Harness, left	1		
17	4182 710 9100	Lap belt	1		
18	9407 021 4700	Rivet	2		

Serial number

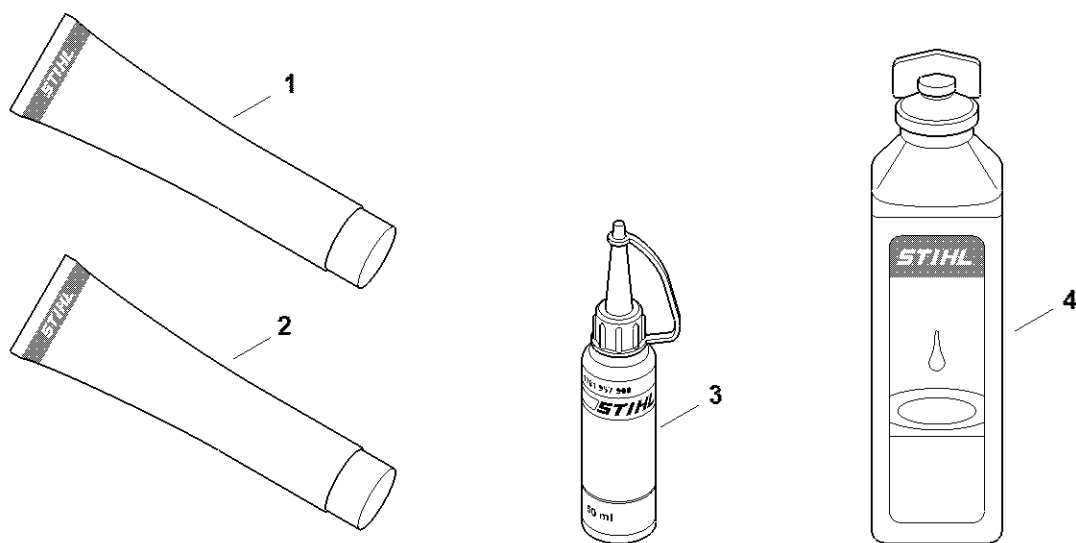


392ET095 SC

Serial number

#	Part Number	Description	Quantity	Contains Item(s)	Remarks
1		Position of serial number	1		

Miscellaneous lubricants and greases

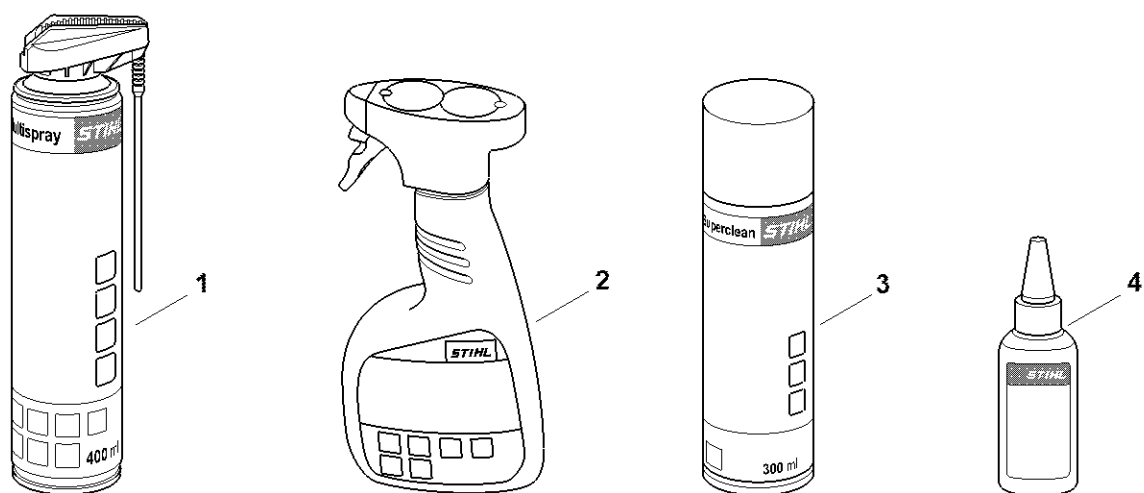


0000-GET-0189-A0

Miscellaneous lubricants and greases

#	Part Number	Description	Quantity	Contains Item(s)	Remarks
1	0781 120 1021	STIHL Multilub 40g tube	1		
1	0781 120 1109	Multipurpose grease 80 g	1		
1	0781 120 1110	Multipurpose grease 225 g	1		
2	0783 830 2000	Tube of sealant HT red	1		
3	0781 957 9000	Press fluid OH 723	1		
4	0781 319 8401	HP 100ml	1		
4	0781 319 8052	HP Super 100ml	1		
4	0781 319 8060	HP Ultra 100ml	1		

Cleaning products

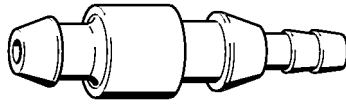


0000-GET-0171-A0

Cleaning products

#	Part Number	Description	Quantity	Contains Item(s)	Remarks
1	0730 411 7002	Multispray 50 ml	1		
1	0730 411 7000	Multispray	1		
2	0000 881 9400	VarioClean 500 ml	1		
2	0000 881 9409	Special cleaner 5 l	1		
3	0782 420 1001	SuperClean 50 ml	1		
3	0782 420 1002	SuperClean 300 ml	1		
4	0782 516 8500	Multioil Bio 50 ml	1		

Nipple

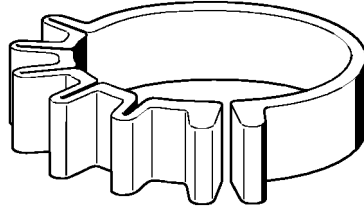


901SW008 GM

Nipple

#	Part Number	Description	Quantity	Contains Item(s)	Remarks
	0000 855 9200	Nipple	1		

Clamping strap

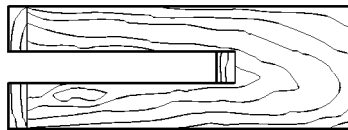


901SW011 GM

Clamping strap

#	Part Number	Description	Quantity	Contains Item(s)	Remarks
	0000 893 2600	Clamping strap	1		

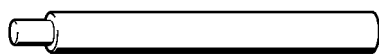
Wooden assembly block



901SW022 GM

Wooden assembly block

#	Part Number	Description	Quantity	Contains Item(s)	Remarks
	1108 893 4800	Wooden assembly block	1		

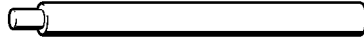


901SW023 GM

Assembly drift

#	Part Number	Description	Quantity	Contains Item(s)	Remarks
	1108 893 4700	Assembly drift	1		

Assembly drift

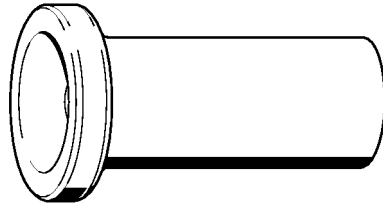


901SW047 GM

Assembly drift

#	Part Number	Description	Quantity	Contains Item(s)	Remarks
	1114 893 4700	Assembly drift	1		

Installing sleeve

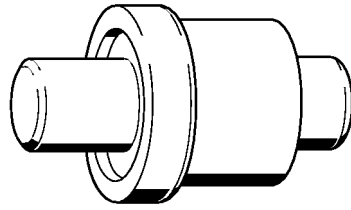


901 SW050 GM

Installing sleeve

#	Part Number	Description	Quantity	Contains Item(s)	Remarks
	1115 893 4600	Installing sleeve	1		

Press arbor



901 SW062 GM

Press arbor

#	Part Number	Description	Quantity	Contains Item(s)	Remarks
	1118 893 7200	Press arbor	1		



901SW069 GM

Guide

#	Part Number	Description	Quantity	Contains Item(s)	Remarks
	1123 894 7700	Guide	1		

Sealing plate

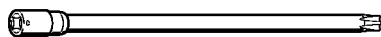


901 SW078 GM

Sealing plate

#	Part Number	Description	Quantity	Contains Item(s)	Remarks
	0000 855 8106	Sealing plate	1		

Socket, T27x125

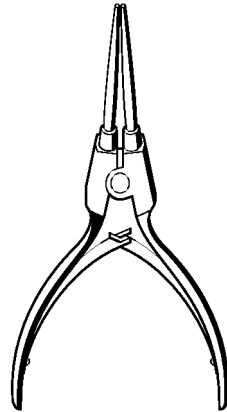


901SW091 GM

Socket, T27x125

#	Part Number	Description	Quantity	Contains Item(s)	Remarks
	0812 542 2104	Driver bit, 1/4" square drive, T27x125	1		

Pliers A10-flat



901 SW092 GM

Pliers A10-flat

#	Part Number	Description	Quantity	Contains Item(s)	Remarks
	0816 610 1495	Pliers A10-flat	1		

Hose 135 mm / 5 5/16"

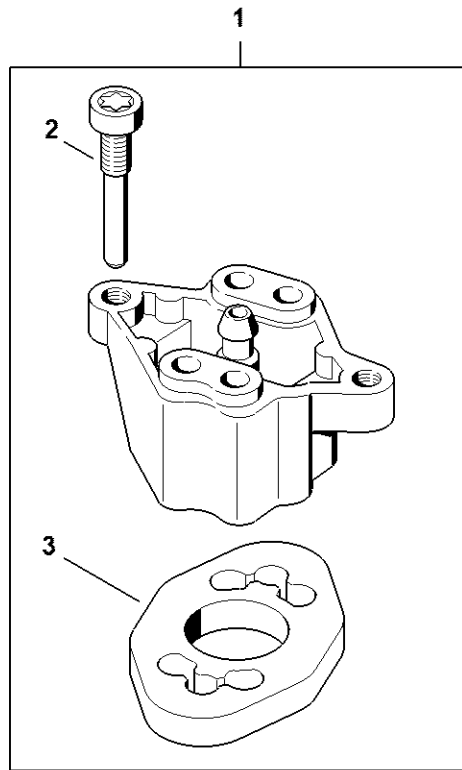


901SW100 GM

Hose 135 mm / 5 5/16"

#	Part Number	Description	Quantity	Contains Item(s)	Remarks
	1110 141 8600	Hose 135 mm / 5 5/16"	1		

Flange

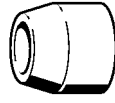


5910-GET-0183-A1

Flange

#	Part Number	Description	Quantity	Contains Item(s)	Remarks
1	5910 850 4207	Flange	1	2, 3	
2	1128 855 9000	Screw M5x30	1		
3	5910 851 9901	Gasket	1		

Installing sleeve

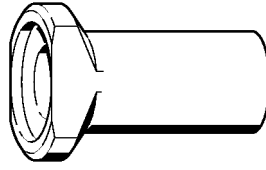


901SW151 GM

Installing sleeve

#	Part Number	Description	Quantity	Contains Item(s)	Remarks
	4112 893 2400	Installing sleeve	1		

Press sleeve

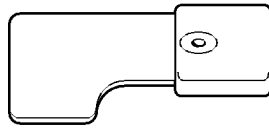


901SW152 GM

Press sleeve

#	Part Number	Description	Quantity	Contains Item(s)	Remarks
	4112 893 2401	Press sleeve	1		

Setting gauge

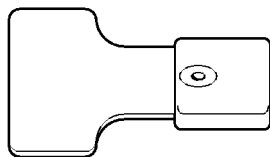


901SW162 GM

Setting gauge

#	Part Number	Description	Quantity	Contains Item(s)	Remarks
	4118 890 6400	Setting gauge	1		

Setting gauge

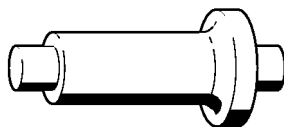


901SW163 GM

Setting gauge

#	Part Number	Description	Quantity	Contains Item(s)	Remarks
	4118 890 6401	Setting gauge	1		

Press arbor

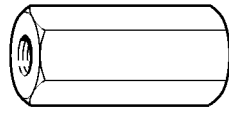


901SW168 GM

Press arbor

#	Part Number	Description	Quantity	Contains Item(s)	Remarks
	4119 893 7200	Press arbor	1		

Puller

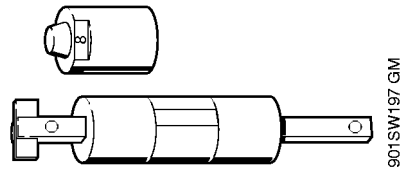


901SW174 GM

Puller

#	Part Number	Description	Quantity	Contains Item(s)	Remarks
	4133 893 0800	Puller	1		

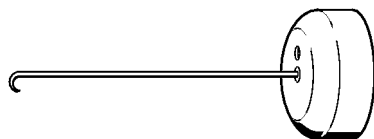
Installing tool, 8



Installing tool, 8

#	Part Number	Description	Quantity	Contains Item(s)	Remarks
	5910 890 2208	Installing tool, 8	1		
	5910 893 1708	Sleeve	1		

Assembly hook

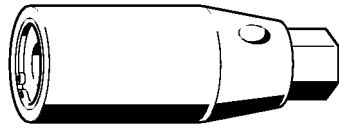


901SW205 GM

Assembly hook

#	Part Number	Description	Quantity	Contains Item(s)	Remarks
	5910 890 2800	Assembly hook	1		

Stud puller, M8

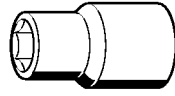


901SW209 GM

Stud puller, M8

#	Part Number	Description	Quantity	Contains Item(s)	Remarks
	5910 893 0501	Stud puller, M8	1		

Socket, 13 mm

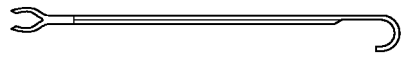


901SW217 GM

Socket, 13 mm

#	Part Number	Description	Quantity	Contains Item(s)	Remarks
	5910 893 5608	Socket, 13 mm	1		

Assembly hook

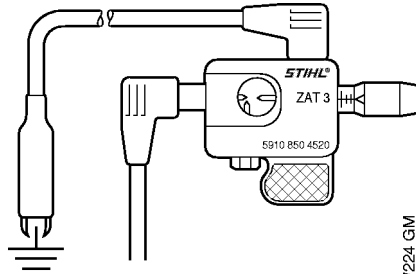


901SW221 GM

Assembly hook

#	Part Number	Description	Quantity	Contains Item(s)	Remarks
	5910 893 8800	Assembly hook	1		

Ignition system tester, ZAT 3

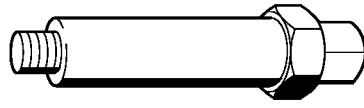


901 SW224 GM

Ignition system tester, ZAT 3

#	Part Number	Description	Quantity	Contains Item(s)	Remarks
	5910 850 4520	Ignition system tester, ZAT 3	1		

Installing tool

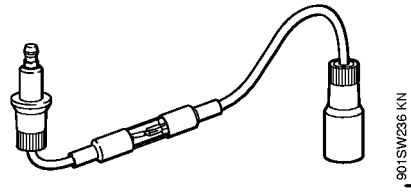


901SW231 KN

Installing tool

#	Part Number	Description	Quantity	Contains Item(s)	Remarks
	5910 890 2202	Installing tool	1		

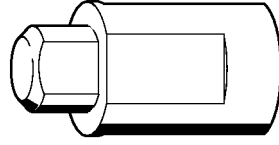
Ignition system tester, ZAT 4



Ignition system tester, ZAT 4

#	Part Number	Description	Quantity	Contains Item(s)	Remarks
	5910 850 4503	Ignition system tester, ZAT 4	1		

Sleeve

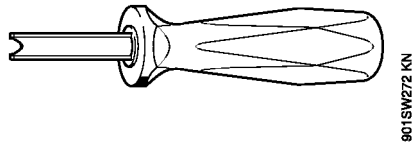


901SW268 KN

Sleeve

#	Part Number	Description	Quantity	Contains Item(s)	Remarks
	5910 893 1708	Sleeve	1		

Puller



Puller

#	Part Number	Description	Quantity	Contains Item(s)	Remarks
	5910 890 4501	Puller	1		

Locking strip

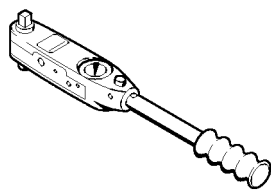


5910-GET-0125-A0

Locking strip

#	Part Number	Description	Quantity	Contains Item(s)	Remarks
1	0000 893 5903	Locking strip	1		

Torque wrench with optical/acoustic signal

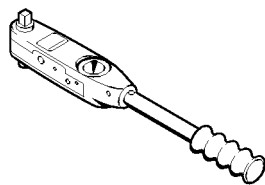


901SW290 KN

Torque wrench with optical/acoustic signal

#	Part Number	Description	Quantity	Contains Item(s)	Remarks
	5910 890 0312	Torque wrench with optical/acoustic signal	1		

Torque wrench

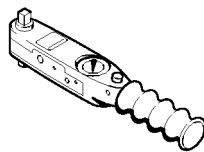


901SW291 KN

Torque wrench

#	Part Number	Description	Quantity	Contains Item(s)	Remarks
	5910 890 0311	Torque wrench	1		

Torque wrench with optical/acoustic signal

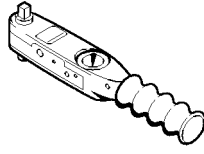


901SW292 KN

Torque wrench with optical/acoustic signal

#	Part Number	Description	Quantity	Contains Item(s)	Remarks
		Torque wrench	1		

Torque wrench

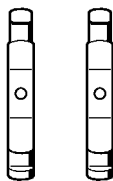


9015W293 KN

Torque wrench

#	Part Number	Description	Quantity	Contains Item(s)	Remarks
	5910 890 0301	Torque wrench	1		

Jaw (profile No. 3.1 and 4)



901 SW932 GIM

Jaw (profile No. 3.1 and 4)

#	Part Number	Description	Quantity	Contains Item(s)	Remarks
	0000 893 3706	Jaw (profile No. 3.1 and 4)	1		

Sleeve



901 SW840 G1M

Sleeve

#	Part Number	Description	Quantity	Contains Item(s)	Remarks
	5910 893 1702	Sleeve	1		

Sleeve

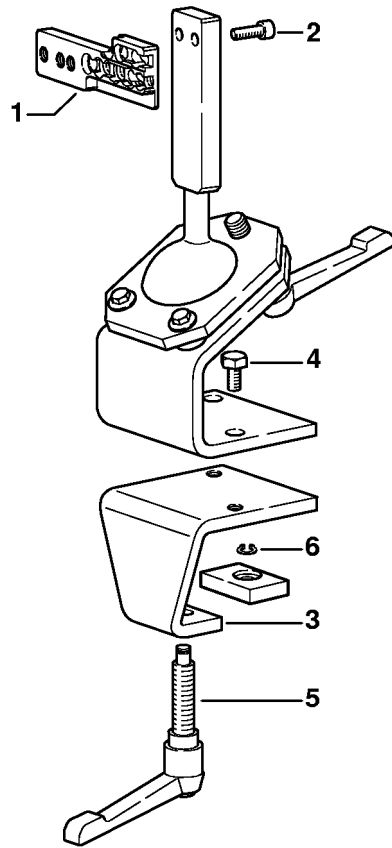


901SW841 GIM

Sleeve

#	Part Number	Description	Quantity	Contains Item(s)	Remarks
	5910 893 1701	Sleeve	1		

Assembly stand

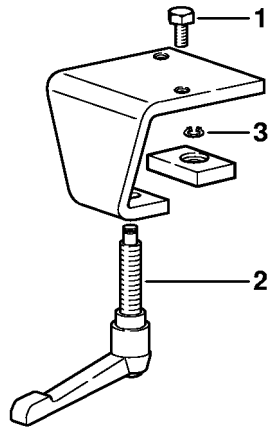


9015W363 SC

Assembly stand

#	Part Number	Description	Quantity	Contains Item(s)	Remarks
	5910 890 3101	Assembly stand	1	1 - 6	
1	5910 850 1651	Support	1		
2	9045 319 2390	Socket head screw M10x25	2		
3	5910 850 2100	Clamping plate	1	4 - 6	
4	9008 319 2930	Hexagon head screw M12x20	2		
5	5910 890 1901	Clamp lever	1		
6	9455 621 0850	Circlip 10x1	1		

Clamping plate

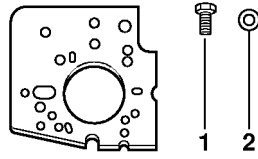


901SW664 SC

Clamping plate

#	Part Number	Description	Quantity	Contains Item(s)	Remarks
	5910 850 2100	Clamping plate	1	1 - 3	
1	9008 319 2930	Hexagon head screw M12x20	2		
2	5910 890 1901	Clamp lever	1		
3	9455 621 0850	Circlip 10x1	1		

Clamping plate

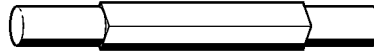


901SW365 GM

Clamping plate

#	Part Number	Description	Quantity	Contains Item(s)	Remarks
	5910 890 2100	Clamping plate	1	1, 2	
1	9008 319 2390	Hexagon head screw M10x25	1		
2	9291 021 0200	Washer 10.5	1		

Installing tool

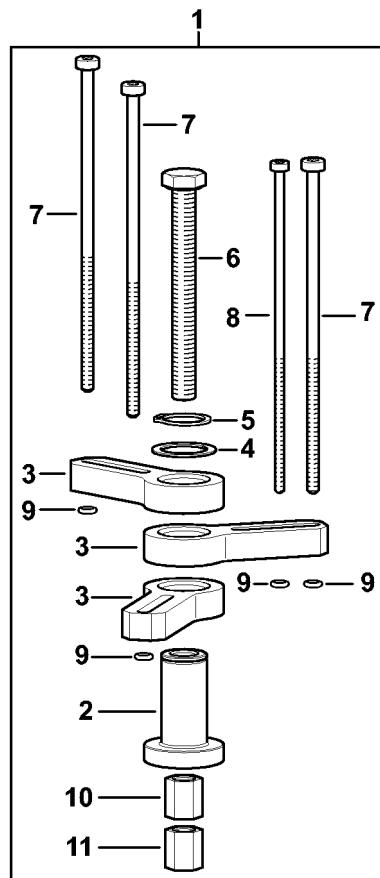


901SW393 GM

Installing tool

#	Part Number	Description	Quantity	Contains Item(s)	Remarks
	4126 893 4900	Installing tool	1		

Puller

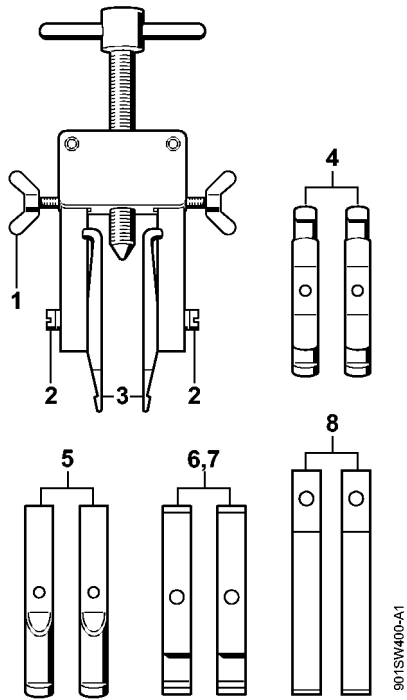


5910-GET-0009-A1

Puller

#	Part Number	Description	Quantity	Contains Item(s)	Remarks
1	5910 890 4505	Puller	1	2 - 11	
2	5910 893 1712	Sleeve	1		
3	5910 895 0700	Extension arm	3		
4	0000 958 0206	Washer	1		
5	9455 621 2150	Circlip 20x1.2	1		
6	9010 346 2545	Hexagon head screw DIN933-M10x1x95-10.9	1		
7	9022 346 1200	Spline screw IS-M5x145x60-10.9	3		
8	9022 346 0852	Spline screw IS-M4x145x60-10.9	1		
9	9646 945 0160	O-ring 4x2	4		
10	5910 895 0900	Guide piece D8	1		
11	5910 895 0901	Guide piece D10	1		

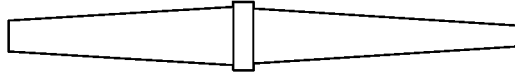
Puller



Puller

#	Part Number	Description	Quantity	Contains Item(s)	Remarks
	5910 890 4400	Puller	1	1 - 8	
1	9157 691 0980	Wing screw M5x16	2		
2	9044 319 0980	Pan head screw M5x16	2		
3	0000 893 3700	Jaw (profile No. 1 and 2)	2		
4	0000 893 3706	Jaw (profile No. 3.1 and 4)	2		
5	0000 893 3711	Jaw (profile No. 6)	2		
6	0000 893 3703	Jaw (profile No. 7)	2		
7	0000 893 3704	Jaw (profile No. 8)	2		
8	0000 893 3707	Jaw (profile No. 9)	2		

Nipple

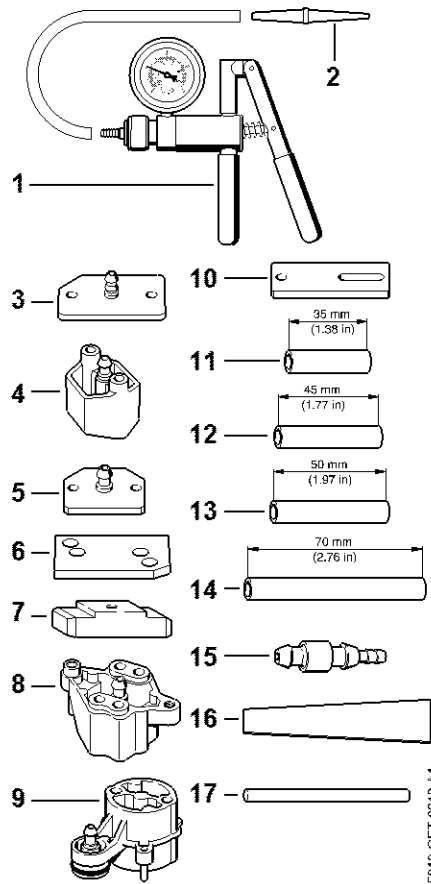


901SW496 GM

Nipple

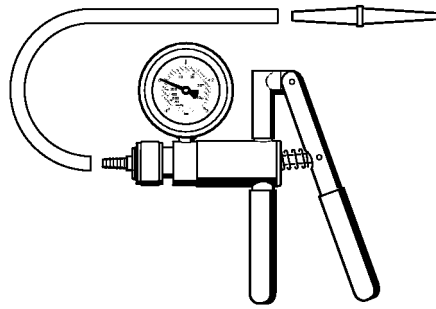
#	Part Number	Description	Quantity	Contains Item(s)	Remarks
	0000 855 9201	Nipple	1		

Testing tool kit



Testing tool kit

#	Part Number	Description	Quantity	Contains Item(s)	Remarks
	0000 890 1701	Testing tool kit	1	1 - 17	
1	0000 850 1300	Pump	1	2	
2	0000 855 9201	Nipple	1		
3	1106 850 4201	Flange	1		
4	1118 850 4200	Flange	1		
5	1119 850 4201	Test flange	1		
6	1123 855 4200	Flange	1		
7	1124 850 4205	Flange	1		
8	5910 850 4207	Flange	1		
9	4224 890 1200	Flange	1		
10	5910 855 4206	Flange	1		
11	5910 893 1702	Sleeve	2		
12	1123 851 8300	Sleeve	2		
13	1124 893 7100	Sleeve	2		
14	1127 851 8300	Sleeve	2		
15	0000 855 9200	Nipple	1		
16	0000 855 8106	Sealing plate	1		
17	1110 141 8600	Hose 135 mm / 5 5/16"	1		

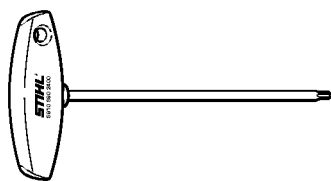


901SW486 GM

Pump

#	Part Number	Description	Quantity	Contains Item(s)	Remarks
	0000 850 1300	Pump	1		
	0000 855 9201	Nipple	1		
	0000 855 0100	Hose	1		

Screwdriver, T27x150

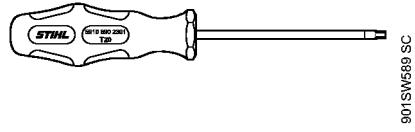


901SW575 KN

Screwdriver, T27x150

#	Part Number	Description	Quantity	Contains Item(s)	Remarks
	5910 890 2400	Screwdriver, T27x150	1		

Screwdriver, T20



Screwdriver, T20

#	Part Number	Description	Quantity	Contains Item(s)	Remarks
	5910 890 2301	Screwdriver, T20	1		