

# HT 105

Spare Parts List

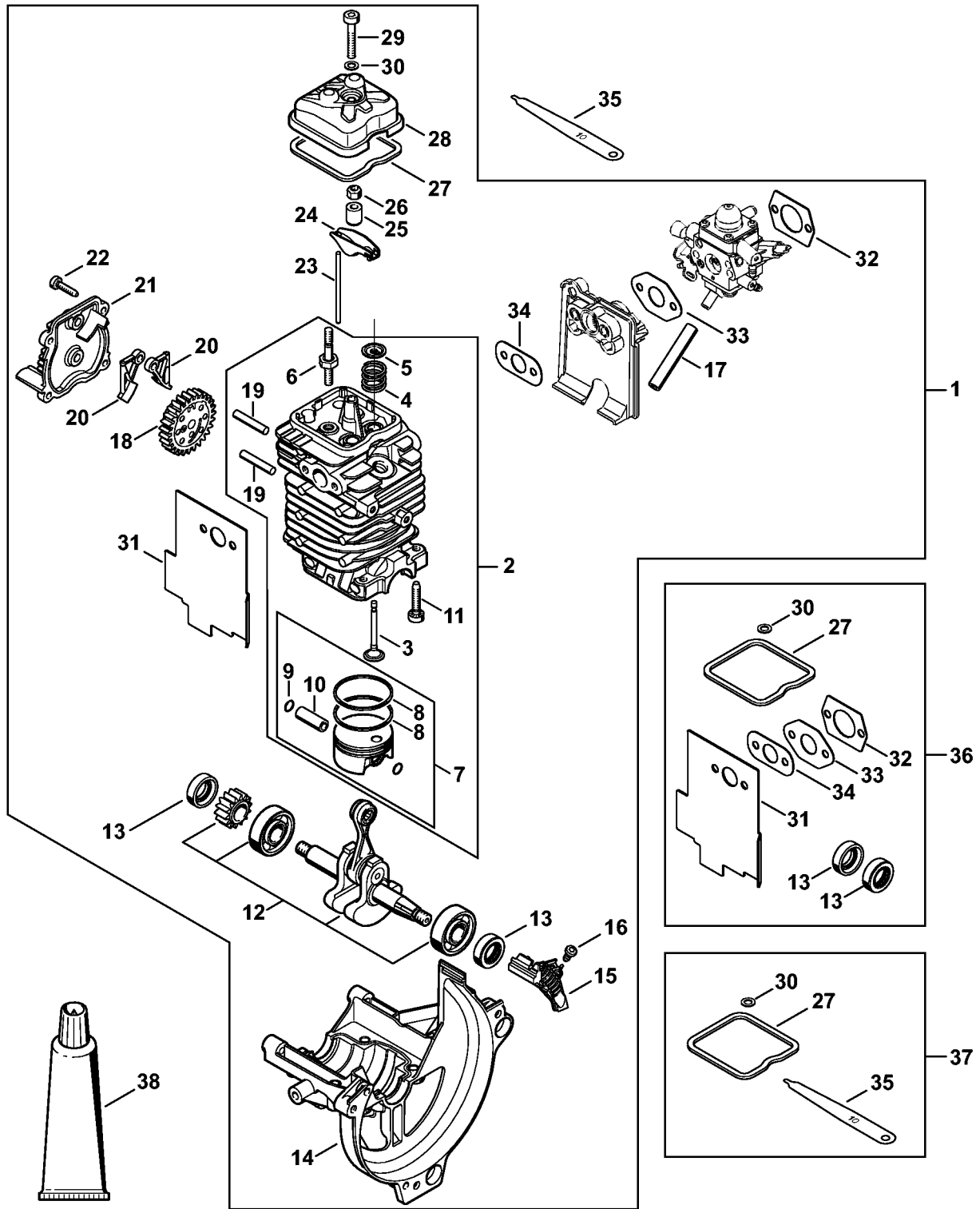
02/08/2023

Indonesia, English

## Contents

Engine Ø 40 mm .....	2	Guide .....	65
Muffler, Air filter .....	5	Sealing plate .....	67
Rewind starter, Fuel tank .....	7	Hose 135 mm / 5 5/16" .....	69
Ignition system .....	10	Test flange .....	71
Carburetor .....	12	Installing sleeve .....	73
Clutch, Fan housing .....	15	Press sleeve .....	75
Handle .....	17	Setting gauge .....	77
Gear head .....	19	Press sleeve .....	79
Back mounted support system RTS .....	22	Installing tool, 9 .....	81
Drive tube assembly .....	24	Stud puller, M8 .....	83
Cleaning products .....	27	Socket, 13 mm .....	85
Cleaning products .....	29	Ignition system tester, ZAT 3 .....	87
Cleaning products .....	31	Ignition system tester, ZAT 4 .....	89
Socket, T20x125 .....	33	Compression tester .....	91
Socket, T27x125 .....	35	Setting gauge .....	93
Screwdriver, T20 .....	37	Extension .....	95
Screwdriver, T27x200 .....	39	Locking screw .....	97
Punchdown tool .....	41	Puller .....	99
Puller .....	43	Clamping plate .....	101
Stud puller, M8 .....	45	Puller .....	103
Assembly hook .....	47	Screwdriver .....	105
Torque wrench with optical/acoustic signal .....	49	Nipple .....	107
Torque wrench .....	51	Testing tool kit .....	109
Torque wrench with optical/acoustic signal .....	53	Pump .....	111
Torque wrench .....	55	Leakage tester kit .....	113
Nipple .....	57	Screwdriver, T20 .....	115
Assembly drift .....	59	Screwdriver, T8 .....	117
Assembly drift .....	61		
Installing sleeve .....	63		

# Engine Ø 40 mm



4180-GET-0072-A0

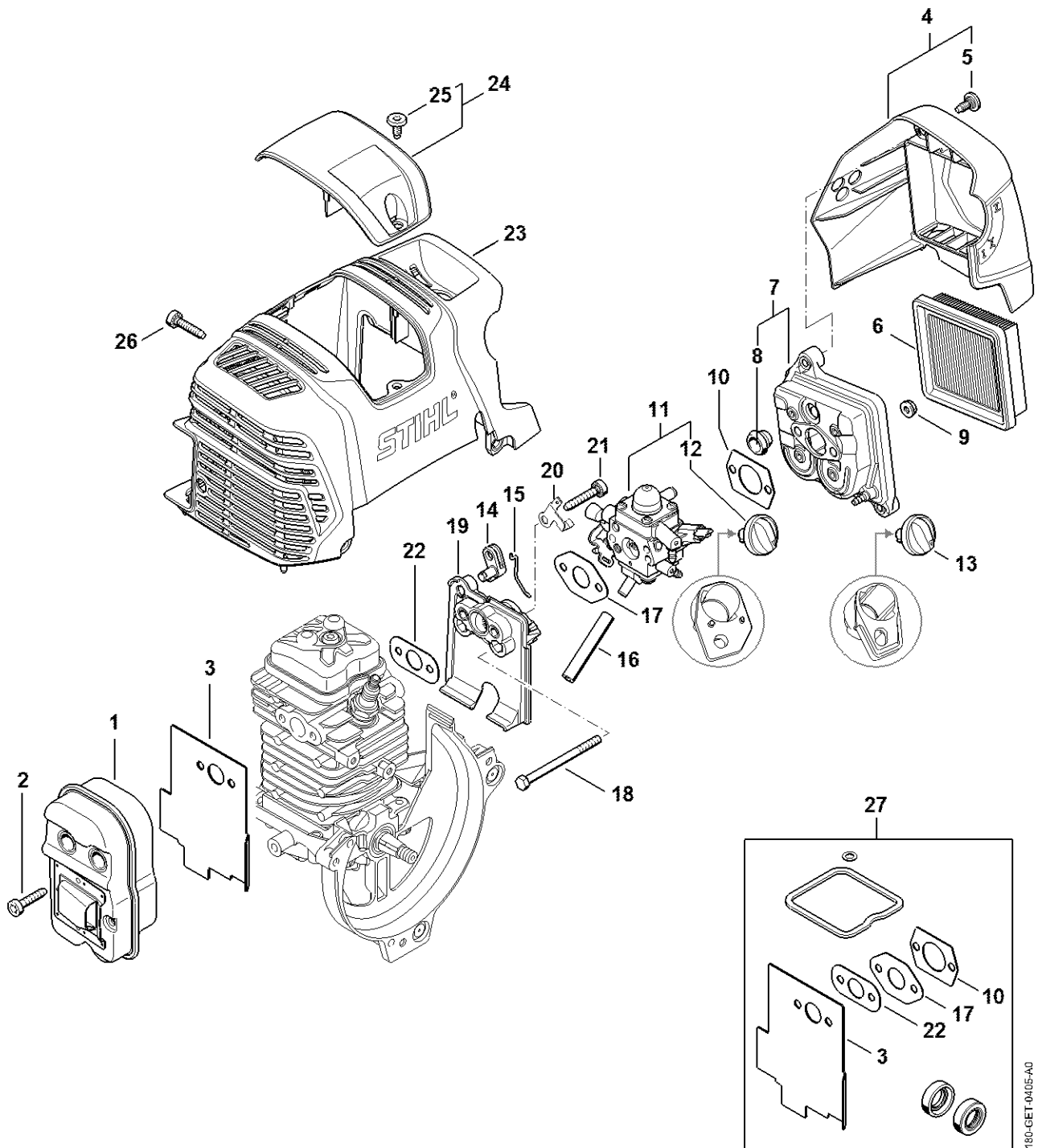
# Engine Ø 40 mm

#	Part Number	Description	Quantity	Contains Item(s)	Remarks
1	4180 020 0203	Engine Ø 40 mm	1	2 - 34	
2	4180 020 1209	Cylinder with piston Ø 40 mm	1	3 - 11	
3	4180 025 2010	Valve	2		
4	4180 025 1600	Valve spring	2		
5	4180 025 3000	Spring retainer plate	2		
6	4180 038 1700	Collar screw M5	2		
7	4180 030 2001	Piston Ø 40 mm	1	8 - 10	
8	4180 034 3000	Piston ring Ø 40x1.2 mm	2		
9	4137 034 1500	Piston pin 8x5x22	1		
10	9463 650 0805	Snap ring 8x0.7	2		
11	9075 478 4159	Pan head self-tapping screw IS-D5x24	4		
12	4180 030 0410	Crankshaft	1		
13	9639 003 1231	Oil seal 12x22x7	2		
14	4180 021 2500	Engine pan	1		
15	4180 448 1201	Lead retainer	1		
16	9074 478 2970	Pan head self-tapping screw IS-P4x10	1		
17	4180 141 8602	Impulse hose	1		
18	4180 030 1800	Cam wheel	1		
19	4180 038 0801	Pin 5x28	2		
20	4180 038 1900	Cam follower	2		
21	4180 038 1301	Cover	1		
22	9075 478 3018	Pan head self-tapping screw IS-D4x18	4		
23	4180 038 2600	Pushrod	2		
24	4282 038 1000	Rocker arm	2		
25	4180 038 2000	Sleeve	2		
26	4180 038 2700	Lock nut M5	2		
27	4180 029 0500	Gasket	1		

# Engine Ø 40 mm

#	Part Number	Description	Quantity	Contains Item(s)	Remarks
28	4180 025 1100	Valve cover	1		
29	9022 346 1070	Spline screw IS-M5x30	1		
30	9636 815 0270	Sealing ring 5x9x1	1		
31	4180 149 0600	Muffler gasket	1		
32	4114 149 1205	Gasket	1		
33	4180 129 0907	Gasket	1		
34	4180 129 0900	Gasket	1		
35	4180 893 6400	Setting gauge	1		
36	4180 007 1036	Set of gaskets	1	13, 27, 30 - 34	
37	4180 007 1005	Valve clearance setting kit	1	27, 30, 35	
38	0783 830 2000	Tube of sealant HT red	1		

# Muffler, Air filter

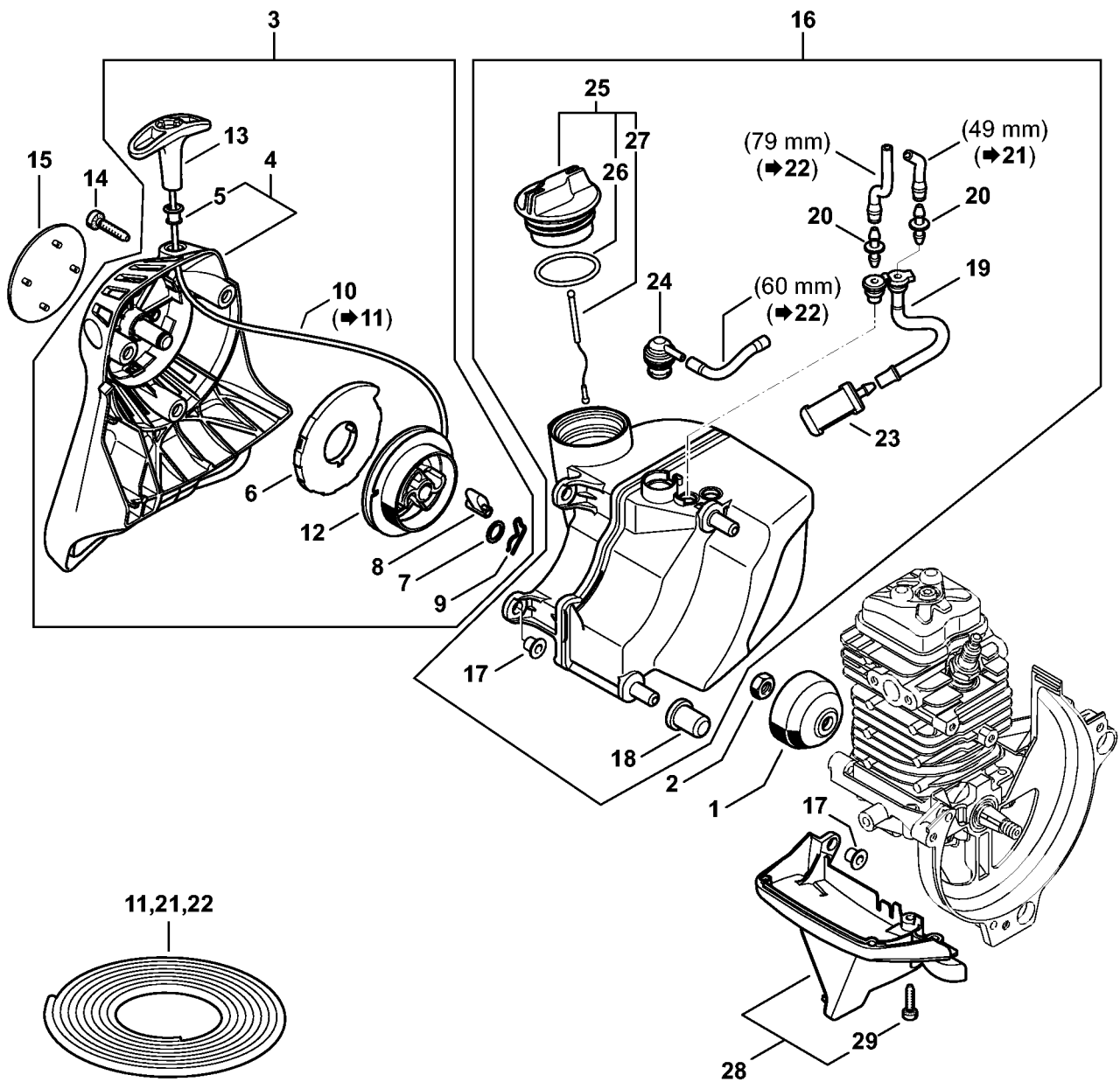


4180-GET-0405-A0

# Muffler, Air filter

#	Part Number	Description	Quantity	Contains Item(s)	Remarks
1	4180 140 0603	Muffler	1		
2	9075 478 4159	Pan head self-tapping screw IS-D5x24	3		
3	4180 149 0600	Muffler gasket	1		
4	4180 140 1009	Filter cover	1	5	
5	0000 951 1114	Screw M5x12	2		
6	4180 141 0300	Air filter	1		
7	4180 140 2807	Filter housing	1	8	
8	4134 123 7500	Grommet	1		
9	9216 261 0700	Hexagon nut M5	2		
10	4114 149 1205	Gasket	1		
11	4180 120 0618	Carburetor 4180/18	1	12	
12	Z000 042 K001	Choke lever kit	1		
13	4180 180 9500	Choke knob	1		
14	4180 182 2800	Lever	1		
15	4180 182 1500	Throttle rod	1		
16	4180 141 8602	Impulse hose	1		
17	4180 129 0907	Gasket	1		
18	9007 319 1135	Hexagon head screw M5x65	2		
19	4180 121 1607	Spacer flange	1		
20	4180 182 9600	Ground strap	1		
21	9075 478 4175	Pan head self-tapping screw IS-D5x28	2		
22	4180 129 0900	Gasket	1		
23	4180 080 1606	Shroud	1		
24	4180 080 0401	Cover	1	25	
25	0000 951 1114	Screw M5x12	1		
26	9075 478 4159	Pan head self-tapping screw IS-D5x24	3		
27	4180 007 1036	Set of gaskets	1	3, 10, 17, 22	

# Rewind starter, Fuel tank



4182-GET-0081-A0

# Rewind starter, Fuel tank

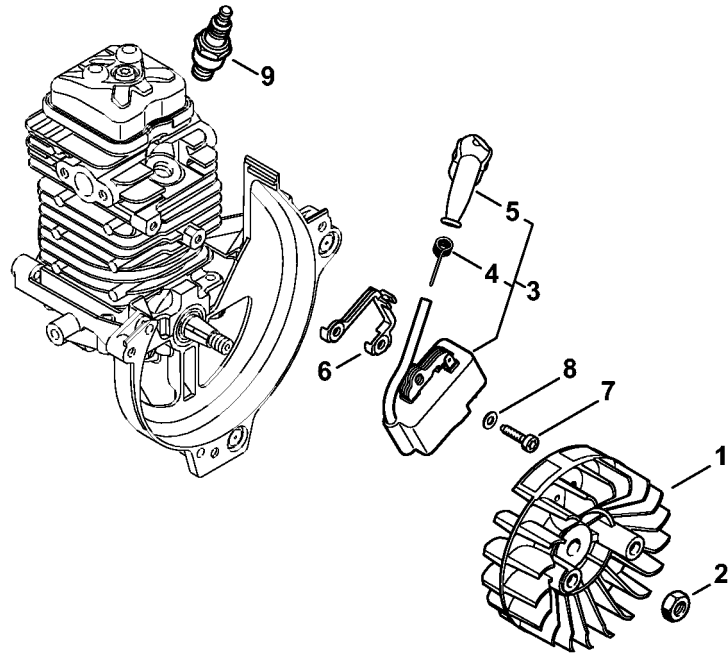
#	Part Number	Description	Quantity	Contains Item(s)	Remarks
1	4223 195 0600	Starter cup	1		
2	9210 261 1140	Hexagon nut M8x1	1		
3	4182 190 4001	Rewind starter	1	4 - 10, 12, 13	
4	4182 190 0401	Starter cover	1	5	
5	9416 868 6650	Rivet 6.5x0.5x8.8	1		
6	4180 190 0600	Rewind spring	1		
7	0000 958 0923	Washer	1		
8	4116 195 7200	Pawl	1		
9	1118 195 3500	Spring	1		
10	0000 195 8203	Starter rope Ø 3x850 mm	1		
11	0000 930 2208	Starter rope Ø 3 mm x 30.5 m	1		
11	0000 930 2211	Starter rope Ø 3 mm x 60.8 m	1		
12	4128 195 0400	Rope rotor	1		
13	4140 195 3400	Starter grip	1		
14	9075 478 4159	Pan head self-tapping screw IS-D5x24	3		
15	4182 967 1508	Model plate HT 105	1		
16	4182 350 0401	Fuel tank	1	17 - 20, 23 - 27	
17	9991 003 5087	Sleeve 7.5x6.8	2		
18	4180 352 8100	Insert	2		
19	4182 358 7701	Hose	1		
20	4148 353 2700	Connector	2		
21	0000 937 5004	Hose 3.1x5.7 mm x 1 m, R5	1		
22	0000 930 2803	Hose 3.1x5.7 mm x 1 m, R3	1		
22	0712 923 8004	Hose 3.1x5.7 mm x 10 m, R3	1		
23	0000 350 3521	Pickup body	1		
24	0000 350 5807	Tank vent	1		
25	0000 350 0527	Filler cap	1	26, 27	



# Rewind starter, Fuel tank

#	Part Number	Description	Quantity	Contains Item(s)	Remarks
26	9645 951 3890	O-ring 35x3-FPM 80	1		
27	0000 350 0900	Rope	1		
28	4180 350 6502	Cover.	1	29	
29	9075 478 3018	Pan head self-tapping screw IS-D4x18	2		

# Ignition system

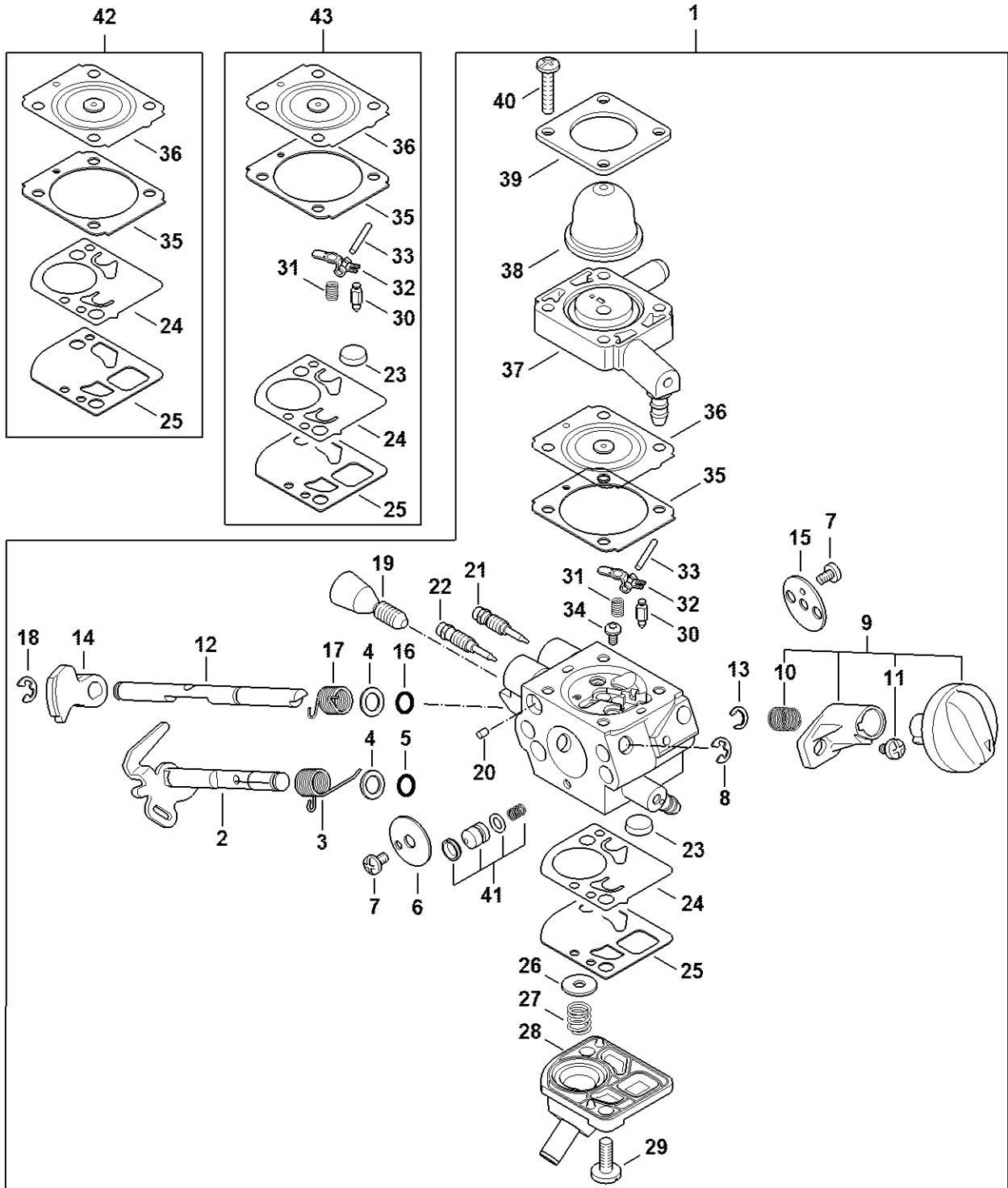


4182-GET-0084-A0

# Ignition system

#	Part Number	Description	Quantity	Contains Item(s)	Remarks
1	4180 400 1200	Flywheel	1		
2	9210 261 1140	Hexagon nut M8x1	1		
3	4180 400 1320	Ignition module	1	4, 5	
4	0000 998 0604	Spark plug contact spring	1		
5	0000 405 1005	Spark plug boot	1		
6	4180 405 8000	Insulator	1		
7	9075 478 3018	Pan head self-tapping screw IS-D4x18	2		
8	9291 021 0100	Washer 4.3	2		
9	0000 400 7009	Spark plug Bosch USR7AC	1		

# Carburetor



4180-GET-0087-A0

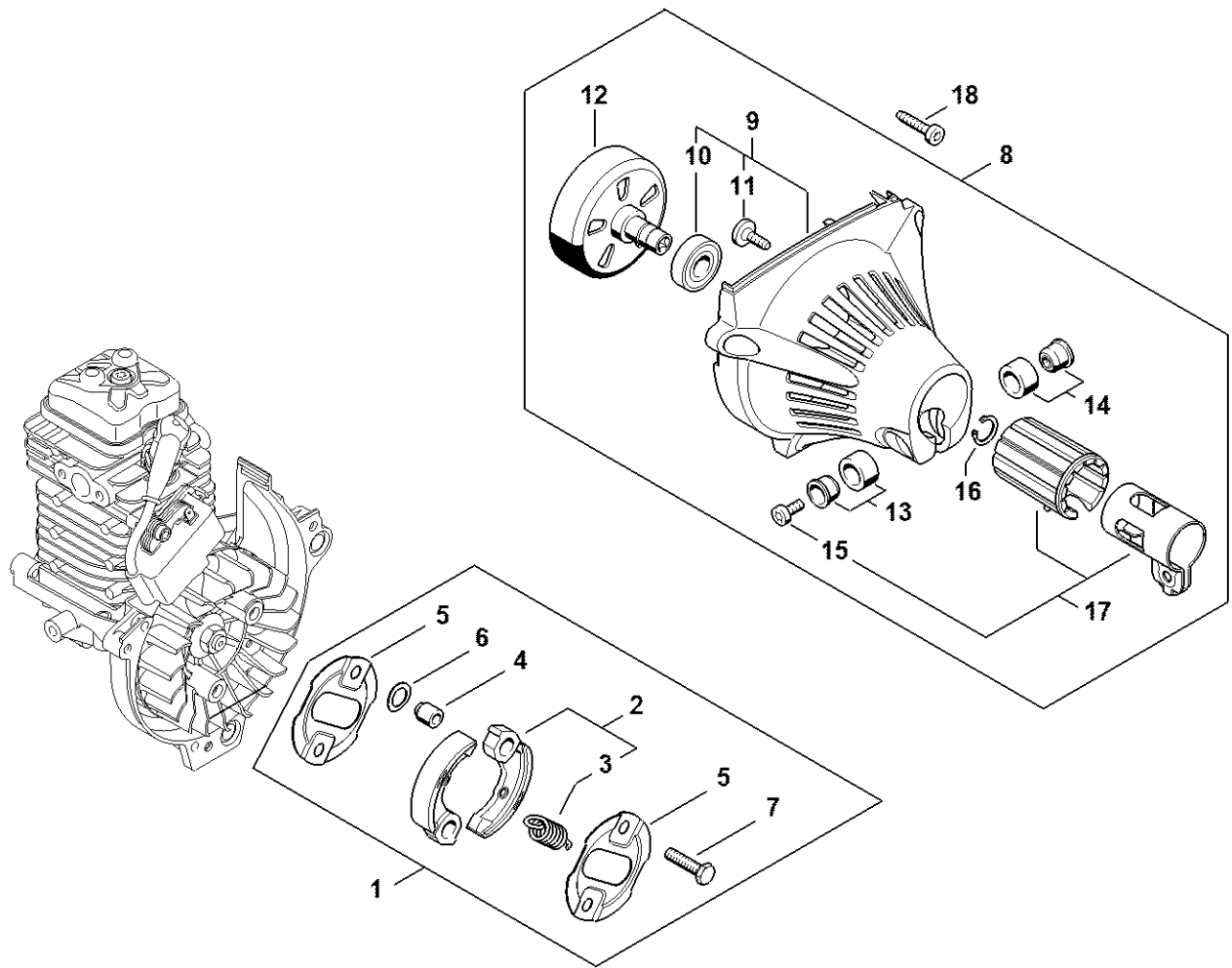
# Carburetor

#	Part Number	Description	Quantity	Contains Item(s)	Remarks
1	4180 120 0618	Carburetor 4180/18	1	2 - 41	
2	4180 120 7107	Throttle shaft with lever	1		
3	4180 122 3007	Spring	1		
4	4180 121 8601	Washer	2		
5	4180 122 3601	Sealing ring	1		
6	4180 121 3300	Throttle shutter	1		
7	1125 122 7403	Round head screw	2		
8	1125 122 9001	E-clip	1		
9	Z000 042 K001	Choke lever kit	1	10, 11	
10	0000 997 3101	Compression spring	1		
11	1120 122 6601	Collar screw	1		
12	4180 121 3005	Choke shaft	1		
13	4282 122 9000	E-clip	1		
14	4180 121 6601	Lever	1		
15	4180 121 2901	Choke shutter	1		
16	4180 122 3601	Sealing ring	1		
17	4180 122 3008	Spring	1		
18	4147 122 9001	E-clip	1		
19	4180 122 6202	Idle speed screw	1		
20	1125 122 4200	Clamp	1		
21	4180 122 6706	High speed screw	1		
22	4180 122 6805	Low speed screw	1		
23	1123 121 7800	Strainer	1		
24	4180 121 4802	Pump diaphragm	1		
25	4180 129 0908	Pump gasket	1		
26	4180 121 8602	Washer	1		
27	4180 122 3006	Spring	1		

# Carburetor

#	Part Number	Description	Quantity	Contains Item(s)	Remarks
28	4180 121 0803	End cover	1		
29	4242 122 7100	Screw	1		
30	Z000 018 Z000	Inlet needle	1		
31	1120 122 3004	Spring	1		
32	4229 121 5000	Inlet control lever	1		
33	1120 121 9200	Spindle	1		
34	0000 122 7101	Screw	1		
35	1141 129 0900	Metering gasket	1		
36	1141 121 4730	Metering diaphragm	1		
37	4180 120 2209	Flange	1		
38	4226 121 2700	Cap	1		
39	4140 121 0800	End cover	1		
40	4140 122 7100	Screw	4		
41	4180 120 9704	Pump piston kit	1		
42	4180 007 1035	Set of carburetor parts	1	24, 25, 35, 36	
43	Z010 001 K017	Carburetor Repair Kit RB-287	1	23 - 25, 30 - 33, 35, 36	

# Clutch, Fan housing



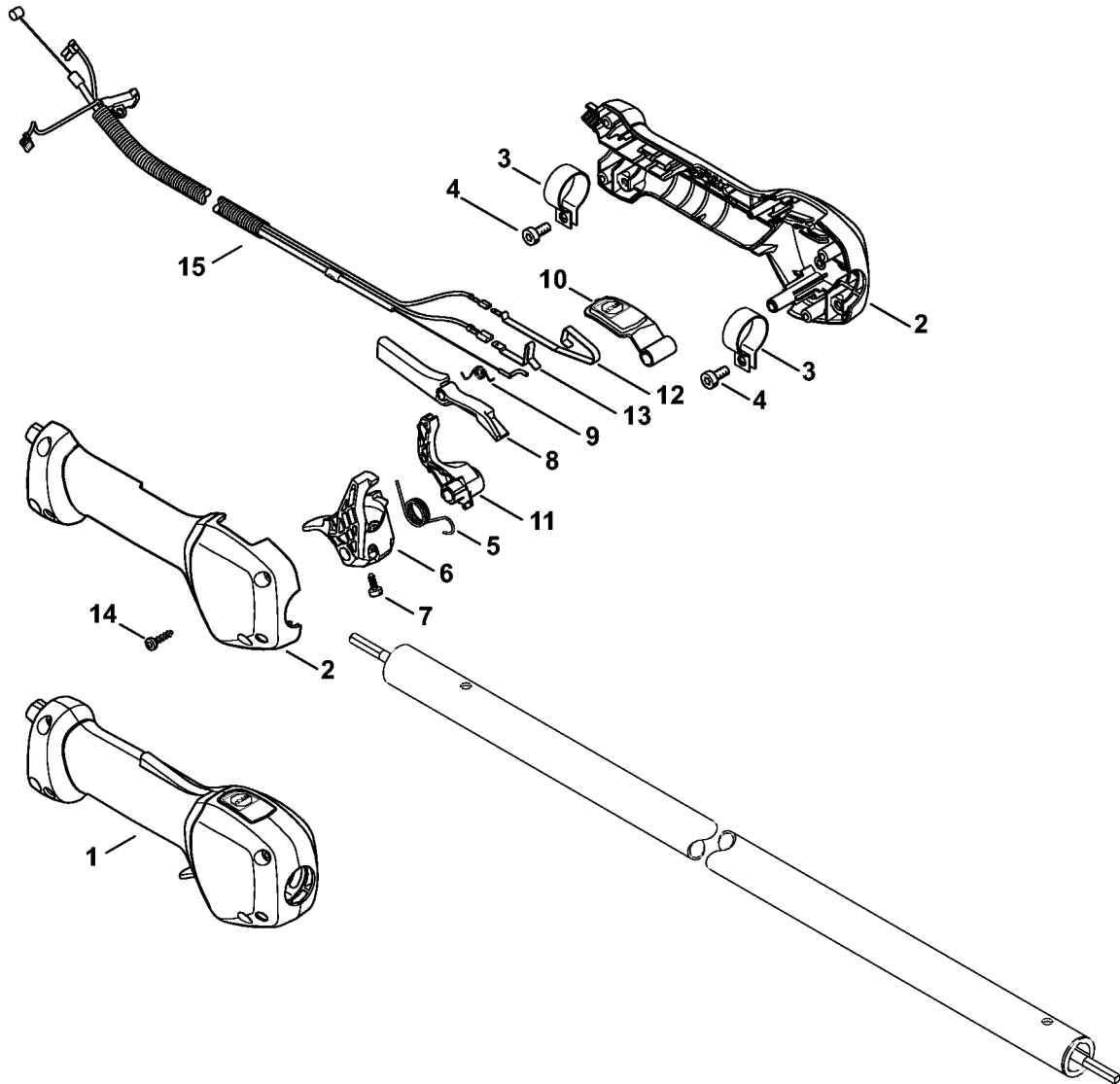
4182-GET-0171-A0

# Clutch, Fan housing

#	Part Number	Description	Quantity	Contains Item(s)	Remarks
2	4180 160 2000	Clutch	1	3	
1	4180 160 2250	Clutch	1	2 - 7	
3	0000 997 5902	Tension spring	1		
4	0000 961 0601	Ring	2		
5	4180 162 1000	Cover washer	2		
6	0000 958 1000	Washer 16x10x0.5	2		
7	0000 951 0600	Hexagon head screw M6	2		
8	4182 080 1805	Fan housing	1	9 - 17	
9	4182 080 1807	Fan housing	1	10, 11	
10	9503 003 6462	Grooved ball bearing DIN625-6201-2Z	1		
11	0000 951 1105	Pan head self-tapping screw IS-P5x14	1		
12	4180 160 2900	Clutch drum	1		
13	4180 790 7205	Sleeve	1		
14	4180 790 7200	Sleeve	1		
15	9022 341 0980	Spline screw IS-M5x16	1		
16	9455 621 1130	Circlip 12x1	1		
17	4180 790 4700	Hose clamp	1	15	
18	9075 478 4159	Pan head self-tapping screw IS-D5x24	3		



# Handle

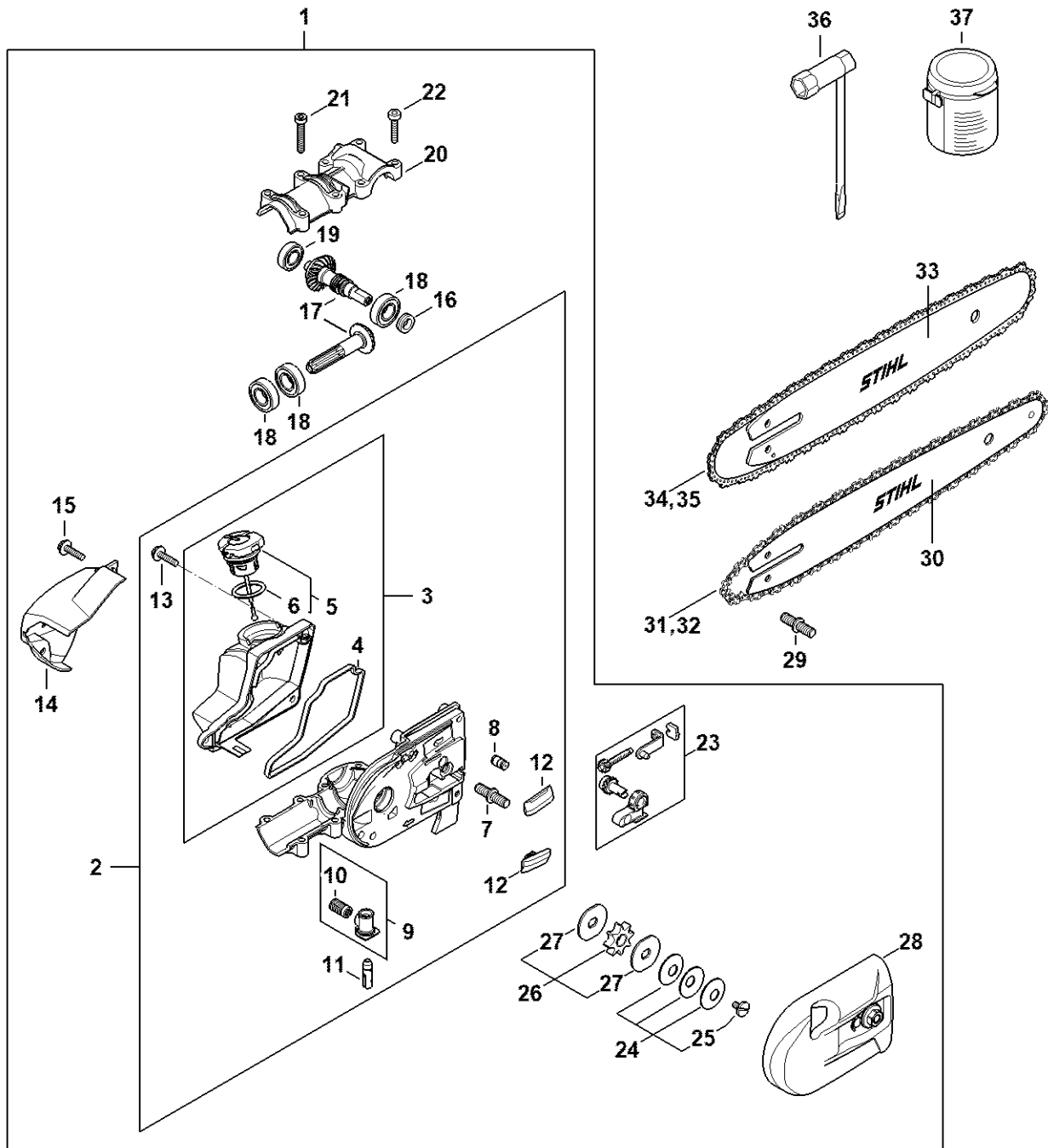


4182-GET-0087-A0

# Handle

#	Part Number	Description	Quantity	Contains Item(s)	Remarks
1	4180 790 1314	Control handle	1	2 - 14	
2	4180 790 0301	Handle	1		
3	4144 791 9400	Hose clamp	2		
4	9022 341 0960	Spline screw IS-M5x12	2		
5	4149 182 4500	Torsion spring	1		
6	4149 182 1000	Throttle trigger	1		
7	9074 478 2967	Pan head self-tapping screw IS-P4x10	1		
8	4149 182 0800	Lockout lever	1		
9	4128 182 4501	Torsion spring	1		
10	4149 182 2801	Lever	1		
11	4149 182 2800	Lever	1		
12	4149 442 1601	Contact spring	1		
13	4149 442 1600	Contact spring	1		
14	9074 478 3025	Pan head self-tapping screw IS-P4x16	4		
15	4180 180 1110	Throttle cable	1		

# Gear head



LA01-GET-0005-A2

# Gear head

#	Part Number	Description	Quantity	Contains Item(s)	Remarks
1	4182 640 0148	Gear head	1	2 - 28	
2	4182 640 0555	Gear housing	1	3 - 13	
3	4182 350 0306	Oil tank	1	4 - 6	
4	4182 351 1000	Gasket	1		
5	0000 350 0537	Oil filler cap	1	6	
6	9645 948 2470	O-ring 23x3	1		
7	4182 664 2401	Collar screw M8	1		
8	1128 640 9100	Valve	1		
9	4182 640 3800	Pickup body	1	10	
10	1117 647 6801	Strainer	1		
11	4138 640 3200	Oil pump	1		
12	1123 648 6600	Bumper strip	2		
13	0000 951 1100	Screw IS-D5x20	1		
14	4182 641 0900	Cover	1		
15	0000 951 1100	Screw IS-D5x20	1		
16	4138 642 8201	Ring	1		
17	4182 640 7317	Set of pinions	1		
18	9503 003 5193	Grooved ball bearing DIN625-6001-2RS	3		
19	9503 003 9863	Grooved ball bearing DIN625-609-2RS	1		
20	4182 641 0401	Gearbox cover	1		
21	9022 371 1073	Spline screw IS-M5x32	4		
22	9022 341 1050	Spline screw IS-M5x25	4		
23	4182 660 0700	Chain tightener	1		
24	4182 160 2100	Friction clutch	1	25	
25	LA01 162 4200	Collar screw	1		
26	0000 640 2001	Chain sprocket 1/4"P 8 teeth	1	27	
27	4182 162 8900	Washer	2		

# Gear head

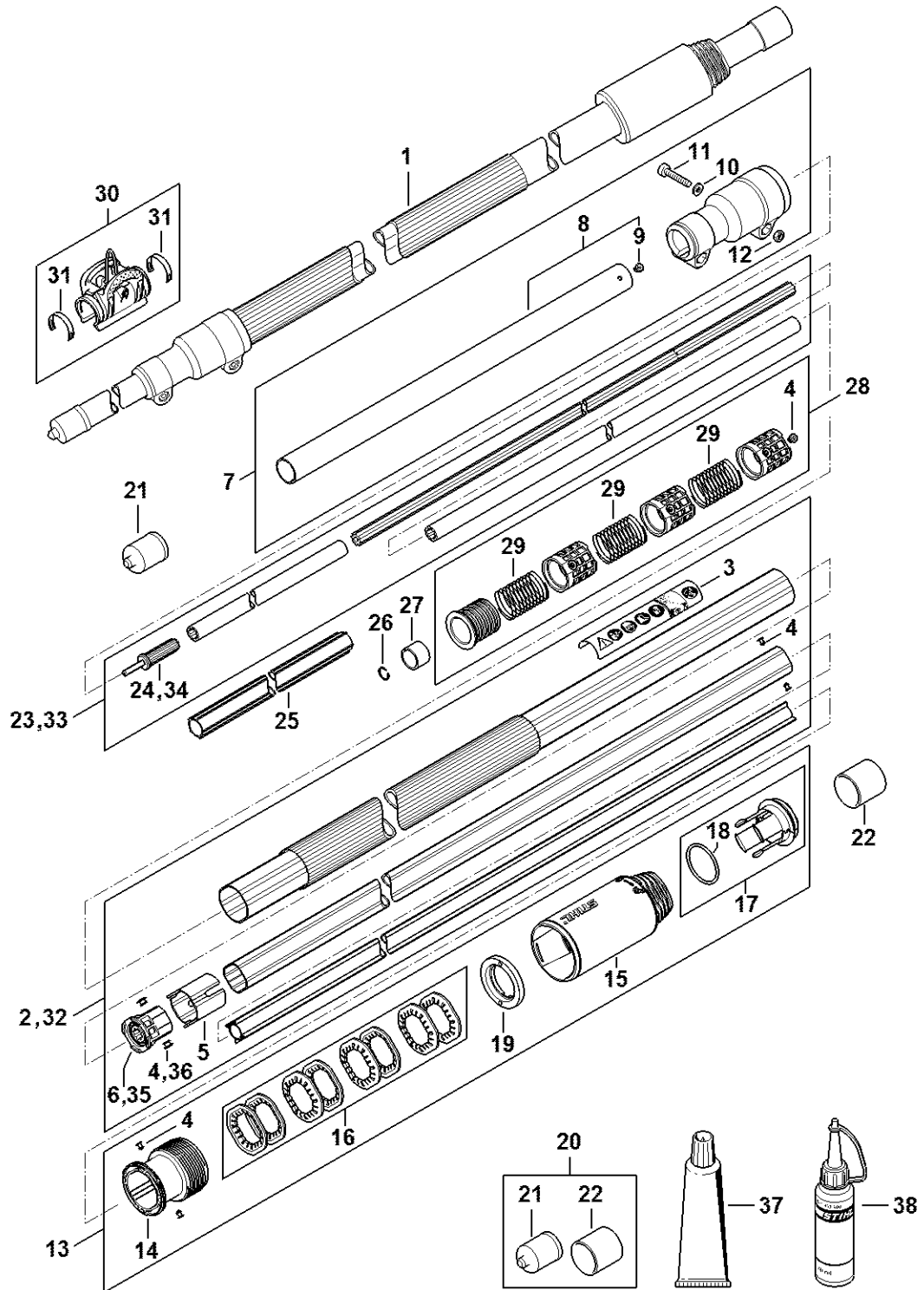
#	Part Number	Description	Quantity	Contains Item(s)	Remarks
28	4182 640 1702	Chain sprocket cover	1		
29	0000 664 2415	Collar screw D9/M8	1		
30	3005 008 3405	Guide bar 30cm/12" 1,1mm/0.043" 1/4"P	1		
31	3670 000 0064	71PM3 chain Picco Micro	1		
32	3670 002 0064	71PM3 chain Picco Micro	1		CDN
33	3005 008 3403	Guide bar 25 cm / 10" 1.1 mm / 0.043" / 1/4" Picco	1		
34	3670 000 0056	71PM3 chain Picco Micro	1		
35	3670 002 0056	71PM3 chain Picco Micro	1		CDN
36	1129 890 3401	Combination wrench	1		
37	0781 120 1004	Gear lubricant 40 g	1		



# Back mounted support system RTS

#	Part Number	Description	Quantity	Contains Item(s)	Remarks
1	0000 790 4400	Back mounted support system RTS	1	2 - 12, 15 - 19	
2	4182 790 6800	Support frame	1		
3		Cling strip 235 mm	2		
4		Cling strip 80 mm	1		
	4182 792 2100	Cling strip	1		
5	4182 790 2900	Tube	1		
6	4182 791 9400	Hose clamp	2		
7	9022 341 1070	Spline screw IS-M5x30	2		
8	9291 021 0120	Washer 5.3	2		
9	0000 951 1100	Screw IS-D5x20	1		
10	9307 021 0120	Washer 5.3	2		
11	4182 791 8000	Webbing	1		
12	4249 710 6900	Spring safety hook	1		
13	0000 790 8600	Clip HT	1	14	
14	0000 791 3110	Spring	2		
15	4182 790 8000	Back rest pad	1		
16	4182 710 9000	Harness, right	1		
17	4182 710 9001	Harness, left	1		
18	4182 710 9100	Lap belt	1		
19	9407 021 4700	Rivet	2		

# Drive tube assembly



4182-GET-0172-AG



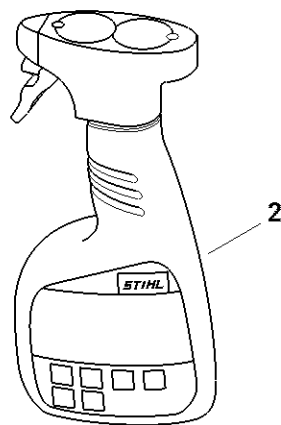
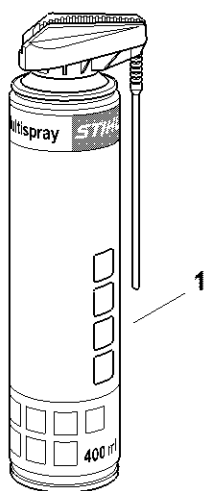
# Drive tube assembly

#	Part Number	Description	Quantity	Contains Item(s)	Remarks
1	4182 710 7155	Drive tube assembly	1	2 - 26, 28, 29	
2	4182 710 7157	Drive tube assembly Above Serial Number: 526902938	1	3 - 6	
3	0000 967 7319	Warning pictogram HT	1		
4	9440 003 1851	Blind rivet 3x5-ST/ST Above Serial Number: 526902938	2		
5	4182 711 9822	Spacer ring	1		
6	4182 740 3209	Bearing Above Serial Number: 526902938	1		
7	4182 710 7138	Drive tube assembly 25.4-mm-x-1-mm	1	8 - 12, 26	
8	4182 710 7137	Drive tube assembly 25.4 mm x 1 mm	1	9	
9	9438 003 3171	Blind rivet 4x6.5	2		
10	9294 021 0140	Washer 6.4	2		
11	9022 341 1370	Spline screw IS-M6x30	2		
12	9210 319 0900	Hexagon nut M6	2		
13	4182 820 1600	Nut	1	4, 14 - 19	
14	4182 716 6520	Clamp	1		
15	4182 716 0320	Nut	1		
16	4182 007 1005	Kit spring washer	1		
17	4182 007 0800	Set O-ring	1	18	
18	9645 948 7895	O-ring N 33x2,5	1		
19	4182 716 9400	Spacer ring	1		
20	4182 007 1010	Cap kit	1	21, 22	
21	4133 717 2000	Cap	1		
22	4182 717 2000	Cap	1		
23	4182 710 3237	Drive shaft Above Serial Number: 526902938	1	24	
24	4182 740 3503	Driver Above Serial Number: 526902938	1		

# Drive tube assembly

#	Part Number	Description	Quantity	Contains Item(s)	Remarks
25	4182 711 7327	Flexible liner	1		
26	9458 621 1130	Snap ring A12	1		
27	4138 711 9002	Ring	1		
28	4182 007 0601	Set of bearings	1	9, 29	
29	4138 711 9100	Spring	3		
30	0000 790 8600	Clip HT	1	31	
31	0000 791 3110	Spring	1		
32	4182 710 7144	Drive tube assembly Up to Serial Number: 526902937	1	3 - 5, 35, 36	
33	4182 710 3234	Drive shaft Up to Serial Number: 526902937	1	34	
34	4248 740 3501	Driver Up to Serial Number: 526902937	1		
35	4182 740 3203	Bearing Up to Serial Number: 526902937	1		
36	9440 794 2435	Blind rivet A4,8x6-Al/St FH Up to Serial Number: 526902937	1		
37	0781 120 6000	Grease for telescopic boom	1		
38	0781 957 9000	Press fluid OH 723	1		

# Cleaning products

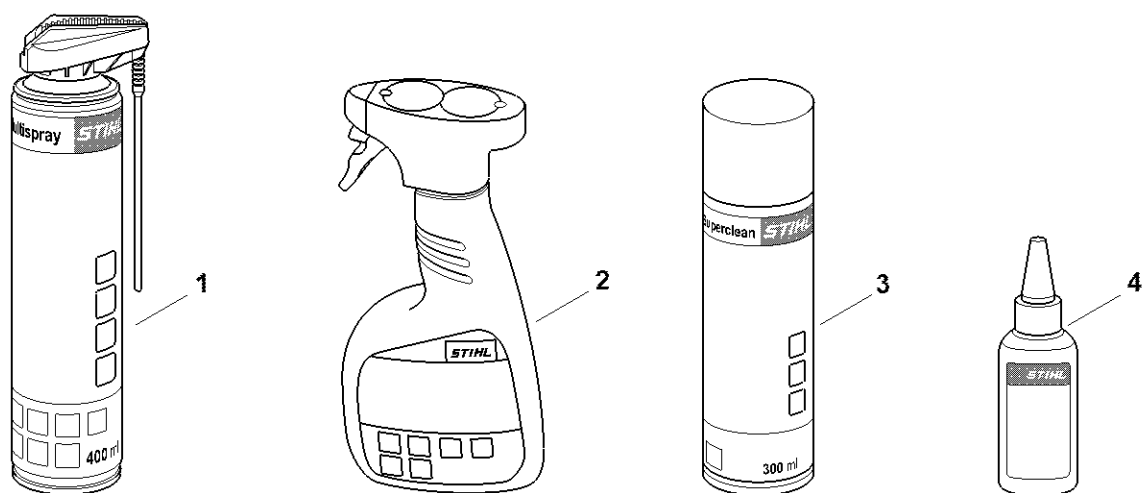


0000-GET-0172-A0

# Cleaning products

#	Part Number	Description	Quantity	Contains Item(s)	Remarks
1	0730 411 7002	Multispray 50 ml	1		
1	0730 411 7000	Multispray	1		
2	0000 881 9400	VarioClean 500 ml	1		
2	0000 881 9409	Special cleaner 5 l	1		
3	0782 516 8500	Multioil Bio 50 ml	1		

# Cleaning products

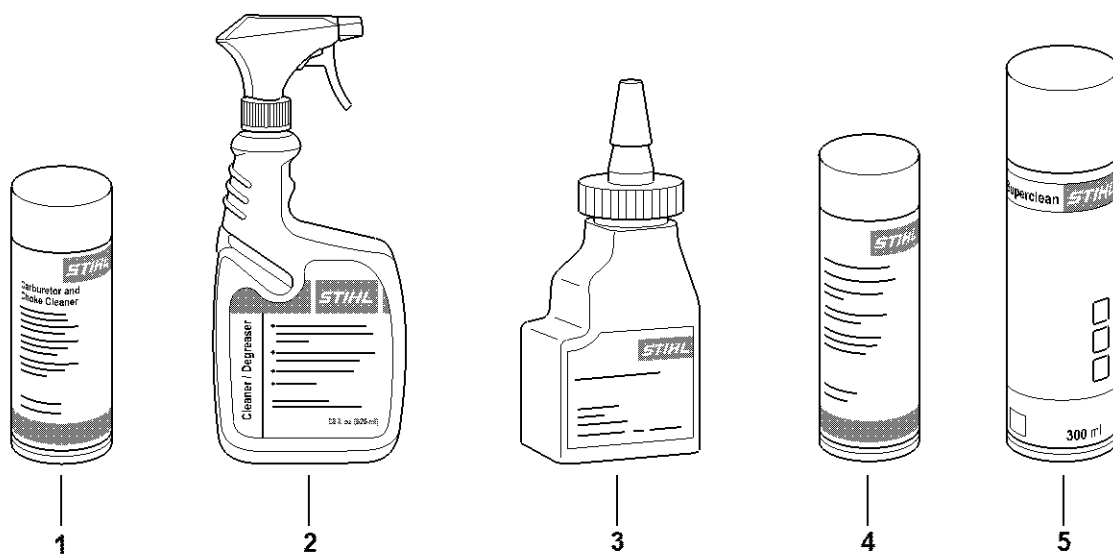


0000-GET-0171-A0

# Cleaning products

#	Part Number	Description	Quantity	Contains Item(s)	Remarks
1	0730 411 7002	Multispray 50 ml	1		
1	0730 411 7000	Multispray	1		
2	0000 881 9400	VarioClean 500 ml	1		
2	0000 881 9409	Special cleaner 5 l	1		
3	0782 420 1001	SuperClean 50 ml	1		
3	0782 420 1002	SuperClean 300 ml	1		
4	0782 516 8500	Multioil Bio 50 ml	1		

# Cleaning products



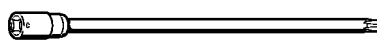
0000-GET-0173-A0

# Cleaning products

#	Part Number	Description	Quantity	Contains Item(s)	Remarks
1	7010 881 9400	Carb & Choke Cleaner (11oz) - 6P	1		
2	7010 881 9401	Heavy Duty Degreaser (28 oz) - 6P	1		
2	7010 871 0214	Heavy Duty Degreaser - 1 gal.	1		
3	7010 871 0198	General purpose oil 4 oz.	1		
4	7010 881 9402	Multi Purpose Penetrating Oil (10oz) 6P	1		
5	0782 420 1002	SuperClean 300 ml	1		
5	7010 871 0157	HEDGE TRIMMER BLADE CLEANER 6 PACK	1		



# Socket, T20x125

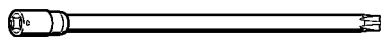


901SW090 GM

# Socket, T20x125

#	Part Number	Description	Quantity	Contains Item(s)	Remarks
	0812 542 2041	Driver bit, 1/4" square drive, T20x125	1		

# Socket, T27x125

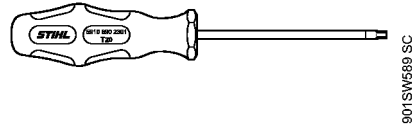


901SW091 GM

# Socket, T27x125

#	Part Number	Description	Quantity	Contains Item(s)	Remarks
	0812 542 2104	Driver bit, 1/4" square drive, T27x125	1		

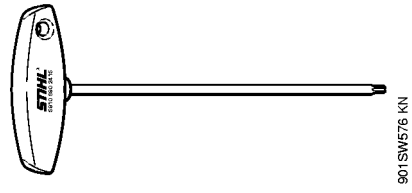
# Screwdriver, T20



# Screwdriver, T20

#	Part Number	Description	Quantity	Contains Item(s)	Remarks
	5910 890 2301	Screwdriver, T20	1		

# Screwdriver, T27x200

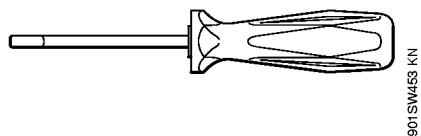


# Screwdriver, T27x200

#	Part Number	Description	Quantity	Contains Item(s)	Remarks
	5910 890 2415	Screwdriver, T27x200	1		



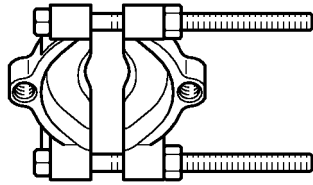
# Punchdown tool



# Punchdown tool

#	Part Number	Description	Quantity	Contains Item(s)	Remarks
	5910 890 4000	Punchdown tool	1		

# Puller

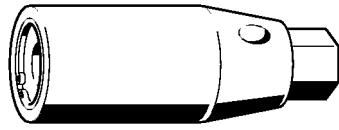


901SW642 SC

# Puller

#	Part Number	Description	Quantity	Contains Item(s)	Remarks
	5910 890 8100	Puller	1		

# Stud puller, M8

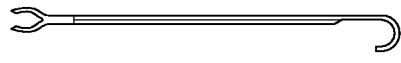


901SW209 GM

# Stud puller, M8

#	Part Number	Description	Quantity	Contains Item(s)	Remarks
	5910 893 0501	Stud puller, M8	1		

# Assembly hook



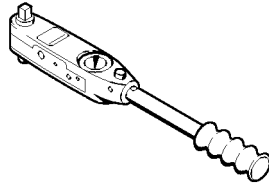
901SW221 GM

# Assembly hook

#	Part Number	Description	Quantity	Contains Item(s)	Remarks
	5910 893 8800	Assembly hook	1		



# Torque wrench with optical/acoustic signal

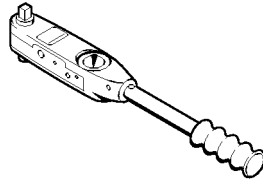


901SW290 KN

# Torque wrench with optical/acoustic signal

#	Part Number	Description	Quantity	Contains Item(s)	Remarks
	5910 890 0312	Torque wrench with optical/acoustic signal	1		

# Torque wrench

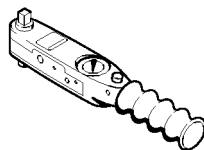


901SW291 KN

# Torque wrench

#	Part Number	Description	Quantity	Contains Item(s)	Remarks
	5910 890 0311	Torque wrench	1		

# Torque wrench with optical/acoustic signal

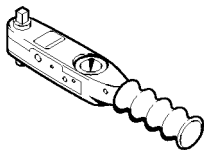


901SW292 KN

# Torque wrench with optical/acoustic signal

#	Part Number	Description	Quantity	Contains Item(s)	Remarks
		Torque wrench	1		

# Torque wrench



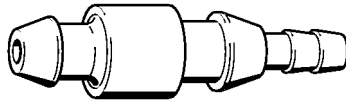
9015W293 KN

# Torque wrench

#	Part Number	Description	Quantity	Contains Item(s)	Remarks
	5910 890 0301	Torque wrench	1		



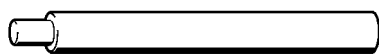
# Nipple



901SW008 GM

# Nipple

#	Part Number	Description	Quantity	Contains Item(s)	Remarks
	0000 855 9200	Nipple	1		

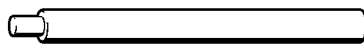


901SW023 GM

# Assembly drift

#	Part Number	Description	Quantity	Contains Item(s)	Remarks
	1108 893 4700	Assembly drift	1		

# Assembly drift

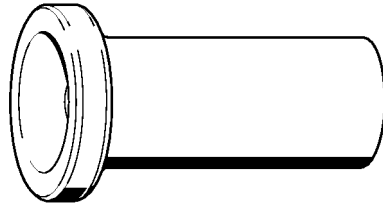


901SW047 GM

# Assembly drift

#	Part Number	Description	Quantity	Contains Item(s)	Remarks
	1114 893 4700	Assembly drift	1		

# Installing sleeve



901 SW050 GM

# Installing sleeve

#	Part Number	Description	Quantity	Contains Item(s)	Remarks
	1115 893 4600	Installing sleeve	1		





901SW069 GM

# Guide

#	Part Number	Description	Quantity	Contains Item(s)	Remarks
	1123 894 7700	Guide	1		

# Sealing plate

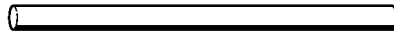


901 SW078 GM

# Sealing plate

#	Part Number	Description	Quantity	Contains Item(s)	Remarks
	0000 855 8106	Sealing plate	1		

# Hose 135 mm / 5 5/16"

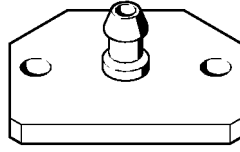


901SW100 GM

# Hose 135 mm / 5 5/16"

#	Part Number	Description	Quantity	Contains Item(s)	Remarks
	1110 141 8600	Hose 135 mm / 5 5/16"	1		

# Test flange



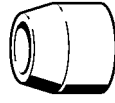
901SW117 GM

# Test flange

#	Part Number	Description	Quantity	Contains Item(s)	Remarks
	1119 850 4201	Test flange	1		



# Installing sleeve

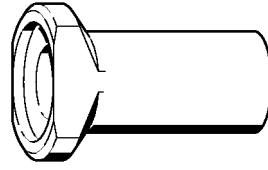


901SW151 GM

# Installing sleeve

#	Part Number	Description	Quantity	Contains Item(s)	Remarks
	4112 893 2400	Installing sleeve	1		

# Press sleeve

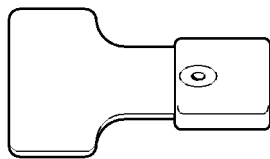


901SW152 GM

# Press sleeve

#	Part Number	Description	Quantity	Contains Item(s)	Remarks
	4112 893 2401	Press sleeve	1		

# Setting gauge

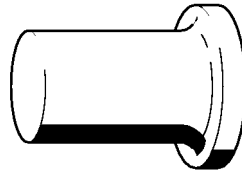


901SW163 GM

# Setting gauge

#	Part Number	Description	Quantity	Contains Item(s)	Remarks
	4118 890 6401	Setting gauge	1		

# Press sleeve



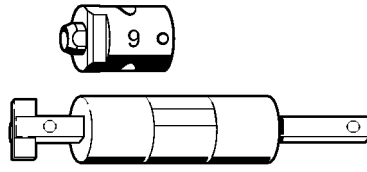
901SW166 GM

# Press sleeve

#	Part Number	Description	Quantity	Contains Item(s)	Remarks
	4119 893 2400	Press sleeve	1		



# Installing tool, 9

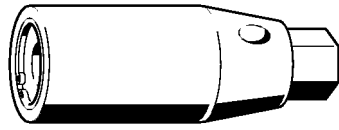


5910-GSN-002-A0

# Installing tool, 9

#	Part Number	Description	Quantity	Contains Item(s)	Remarks
	5910 890 2209	Installing tool, 9	1		
	5910 893 1713	Sleeve	1		

# Stud puller, M8

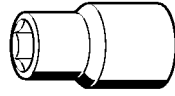


901SW209 GM

# Stud puller, M8

#	Part Number	Description	Quantity	Contains Item(s)	Remarks
	5910 893 0501	Stud puller, M8	1		

# Socket, 13 mm

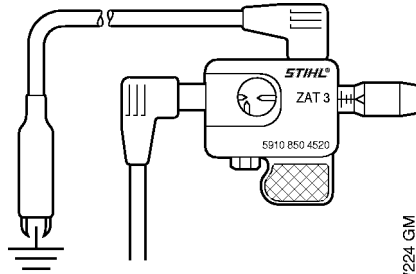


901SW217 GM

# Socket, 13 mm

#	Part Number	Description	Quantity	Contains Item(s)	Remarks
	5910 893 5608	Socket, 13 mm	1		

# Ignition system tester, ZAT 3



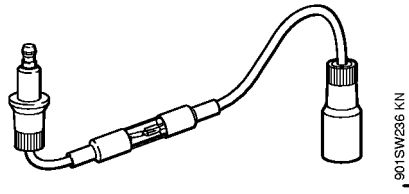
901 SW224 GM

# Ignition system tester, ZAT 3

#	Part Number	Description	Quantity	Contains Item(s)	Remarks
	5910 850 4520	Ignition system tester, ZAT 3	1		



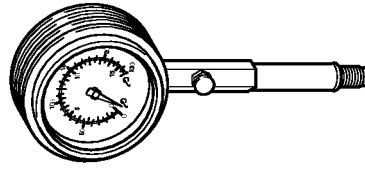
# Ignition system tester, ZAT 4



# Ignition system tester, ZAT 4

#	Part Number	Description	Quantity	Contains Item(s)	Remarks
	5910 850 4503	Ignition system tester, ZAT 4	1		

# Compression tester

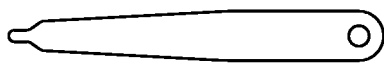


901SW243 KN

# Compression tester

#	Part Number	Description	Quantity	Contains Item(s)	Remarks
	5910 850 2000	Compression tester	1		

# Setting gauge

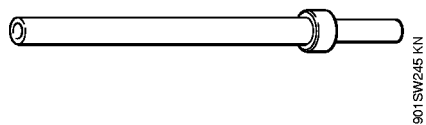


901SW244 KN

# Setting gauge

#	Part Number	Description	Quantity	Contains Item(s)	Remarks
	4180 893 6400	Setting gauge	1		

# Extension

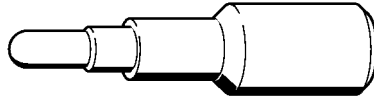


# Extension

#	Part Number	Description	Quantity	Contains Item(s)	Remarks
	4180 893 4400	Extension	1		



# Locking screw

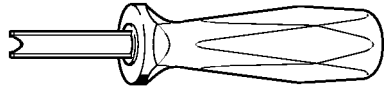


901SW264 KN

# Locking screw

#	Part Number	Description	Quantity	Contains Item(s)	Remarks
	4282 890 2700	Locking screw	1		

# Puller

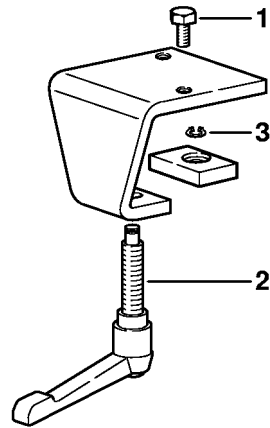


901SW272 KN

# Puller

#	Part Number	Description	Quantity	Contains Item(s)	Remarks
	5910 890 4501	Puller	1		

# Clamping plate

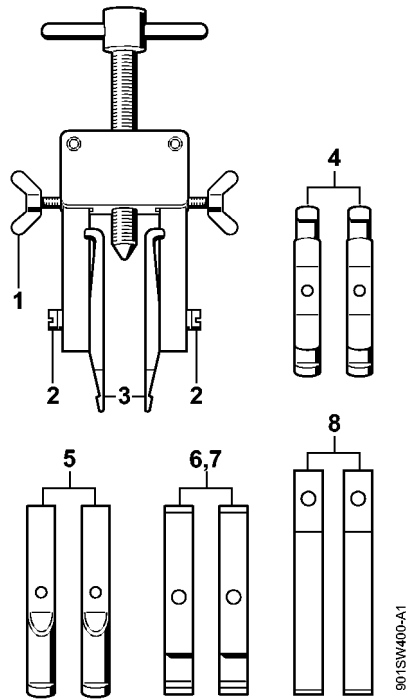


901SW664 SC

# Clamping plate

#	Part Number	Description	Quantity	Contains Item(s)	Remarks
	5910 850 2100	Clamping plate	1	1 - 3	
<b>1</b>	9008 319 2930	Hexagon head screw M12x20	2		
<b>2</b>	5910 890 1901	Clamp lever	1		
<b>3</b>	9455 621 0850	Circlip 10x1	1		

# Puller

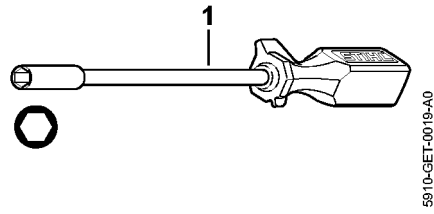


# Puller

#	Part Number	Description	Quantity	Contains Item(s)	Remarks
	5910 890 4400	Puller	1	1 - 8	
1	9157 691 0980	Wing screw M5x16	2		
2	9044 319 0980	Pan head screw M5x16	2		
3	0000 893 3700	Jaw (profile No. 1 and 2)	2		
4	0000 893 3706	Jaw (profile No. 3.1 and 4)	2		
5	0000 893 3711	Jaw (profile No. 6)	2		
6	0000 893 3703	Jaw (profile No. 7)	2		
7	0000 893 3704	Jaw (profile No. 8)	2		
8	0000 893 3707	Jaw (profile No. 9)	2		



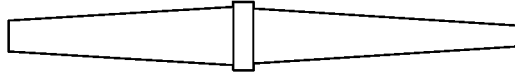
# Screwdriver



# Screwdriver

#	Part Number	Description	Quantity	Contains Item(s)	Remarks
1	5910 890 2307	Screwdriver	1		

# Nipple

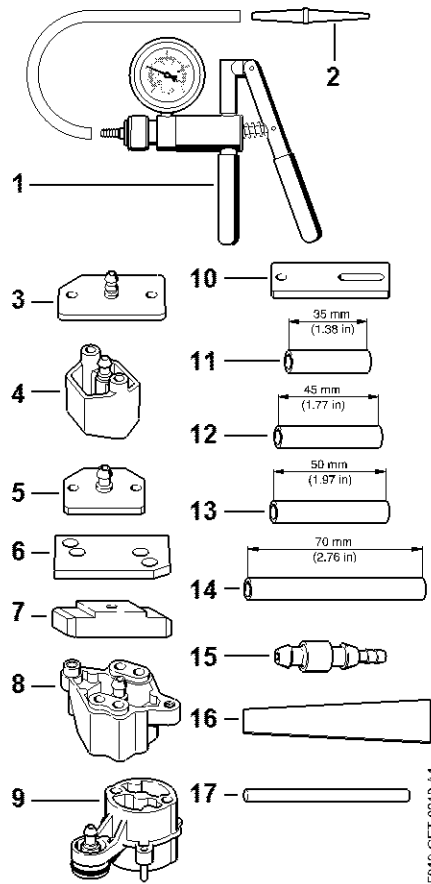


901SW496 GM

# Nipple

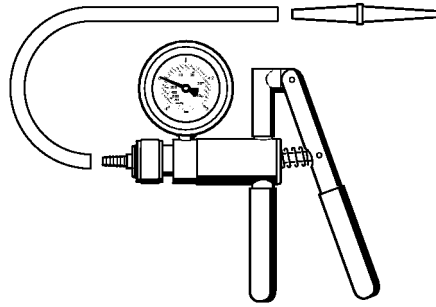
#	Part Number	Description	Quantity	Contains Item(s)	Remarks
	0000 855 9201	Nipple	1		

# Testing tool kit



# Testing tool kit

#	Part Number	Description	Quantity	Contains Item(s)	Remarks
	0000 890 1701	Testing tool kit	1	1 - 17	
1	0000 850 1300	Pump	1	2	
2	0000 855 9201	Nipple	1		
3	1106 850 4201	Flange	1		
4	1118 850 4200	Flange	1		
5	1119 850 4201	Test flange	1		
6	1123 855 4200	Flange	1		
7	1124 850 4205	Flange	1		
8	5910 850 4207	Flange	1		
9	4224 890 1200	Flange	1		
10	5910 855 4206	Flange	1		
11	5910 893 1702	Sleeve	2		
12	1123 851 8300	Sleeve	2		
13	1124 893 7100	Sleeve	2		
14	1127 851 8300	Sleeve	2		
15	0000 855 9200	Nipple	1		
16	0000 855 8106	Sealing plate	1		
17	1110 141 8600	Hose 135 mm / 5 5/16"	1		



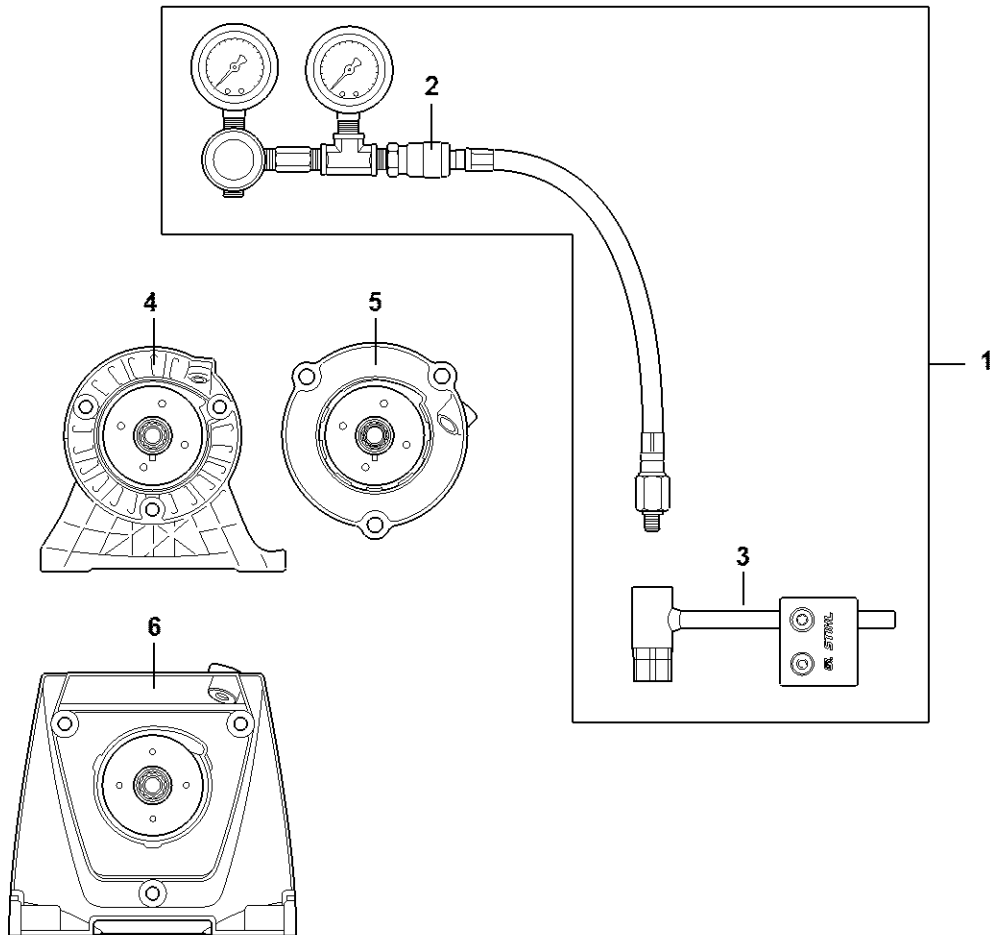
901SW486 GM

# Pump

#	Part Number	Description	Quantity	Contains Item(s)	Remarks
	0000 850 1300	Pump	1		
	0000 855 9201	Nipple	1		
	0000 855 0100	Hose	1		



# Leakage tester kit

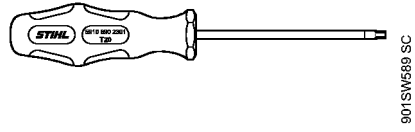


5910-GET-0014-A1

# Leakage tester kit

#	Part Number	Description	Quantity	Contains Item(s)	Remarks
1	5910 007 1000	Leakage tester kit	1	2, 3	
2	5910 850 0300	Leakage tester	1		
3	4180 890 8601	Support	1		
4	4180 890 8600	Flywheel blocking tool	1		
5	4282 890 8600	Flywheel blocking tool	1		
6	5910 890 8602	Flywheel blocking tool	1		

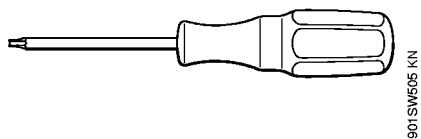
# Screwdriver, T20



# Screwdriver, T20

#	Part Number	Description	Quantity	Contains Item(s)	Remarks
	5910 890 2301	Screwdriver, T20	1		

# Screwdriver, T8



# Screwdriver, T8

#	Part Number	Description	Quantity	Contains Item(s)	Remarks
	5910 890 2310	Screwdriver, T8	1		