

WP 230

Spare Parts List

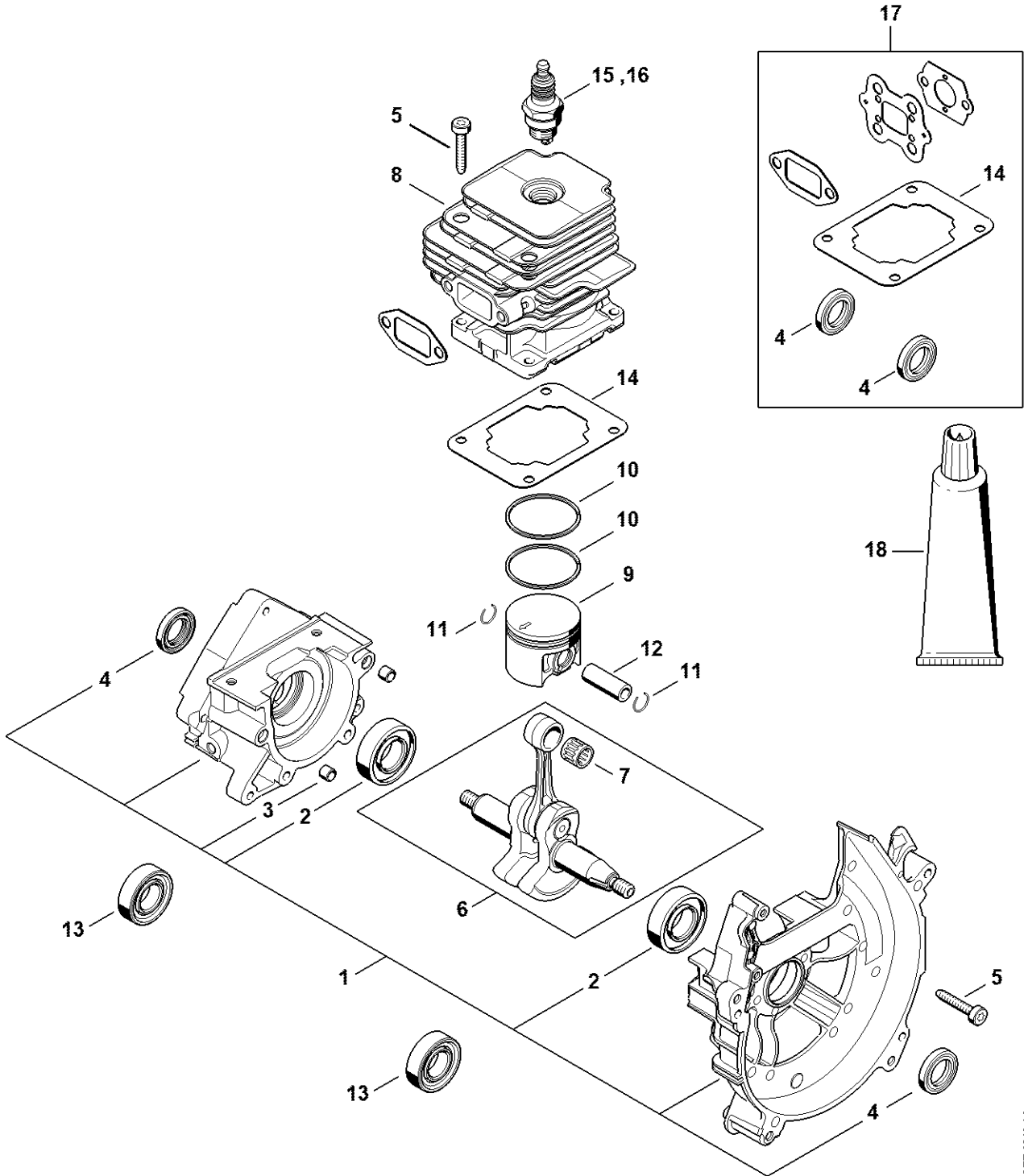
02/08/2023

Indonesia, English

Contents

Crankcase, Cylinder	2	Clamping jaws	60
Rewind starter, Muffler	4	Assembly stand	62
Ignition system, Clutch	6	Installing tool, 10	64
Air filter, Spacer flange	8	Service tool ZS	66
Carburetor 4151/00	10	Pump	68
Fuel tank	12	Screwdriver, T20	70
Support frame, Control lever	14	Locking screw	72
Pump	16	Assembly drift	74
Tools, Extras	18	Flange	76
Serial number	20	Screwdriver, Q-SW 8x200	78
Miscellaneous lubricants and greases	22	Screwdriver, T27x200	80
Cleaning products	24	Ring	82
Removing tool	26	Puller	84
Puller	28	Piston support	86
Nipple	30	Press sleeve	88
Clamping strap	32	Press arbor	90
Sealing plate	34	Press sleeve	92
Pliers C19	36	Setting gauge	94
Socket, T27x125	38		
Pliers A10-flat	40		
Hose 135 mm / 5 5/16"	42		
Flange	44		
Press sleeve	46		
Socket, 13 mm	48		
Assembly hook	50		
Tensioner	52		
Installing tool	54		
Torque wrench with optical/acoustic signal	56		
Torque wrench with optical/acoustic signal	58		

Crankcase, Cylinder

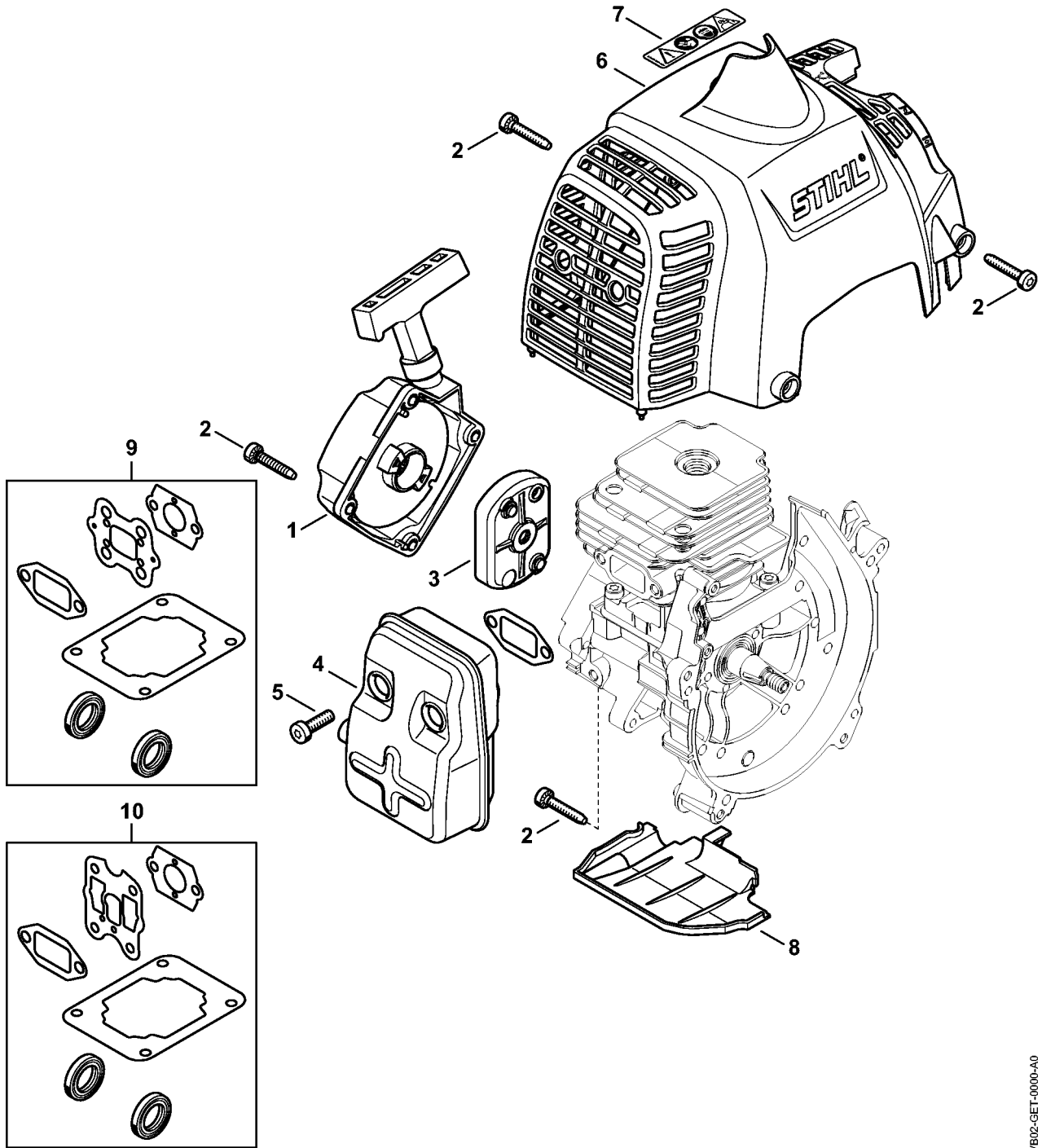


4151-GET-0048-A0

Crankcase, Cylinder

#	Part Number	Description	Quantity	Contains Item(s)	Remarks
1	4151 020 2100	Crankcase	1	2 - 4	
2	9503 003 0340	Grooved ball bearing 6202	2		
3	0000 988 8600	Sleeve	2		
4	9639 003 1585	Oil seal 15x25x5	2		
5	9075 478 4175	Pan head self-tapping screw IS-D5x28	8		
6	4151 030 0402	Crankshaft	1	7	
7	9512 003 2250	Needle cage 10x13x12.5	1		
8	4151 020 1201	Cylinder with piston Ø 40 mm	1	9 - 12	
9	4151 030 2004	Piston Ø 40 mm	1	10 - 12	
10	1123 034 3005	Piston ring Ø 40x1.2 mm	2		
11	9463 650 1000	Snap ring 10	2		
12	4151 034 1503	Piston pin 10x6.5x28	1		
13	9503 003 0312	Grooved ball bearing 6002	2		
14	4151 029 2300	Cylinder gasket	1		
15	0000 400 7000	Spark plug NGK BPMR7A	1		
16	1110 400 7005	Spark plug Bosch WSR 6 F	1		
17	4151 007 1005	Set of gaskets	1	4, 14	
18	0783 830 2000	Tube of sealant HT red	1		

Rewind starter, Muffler

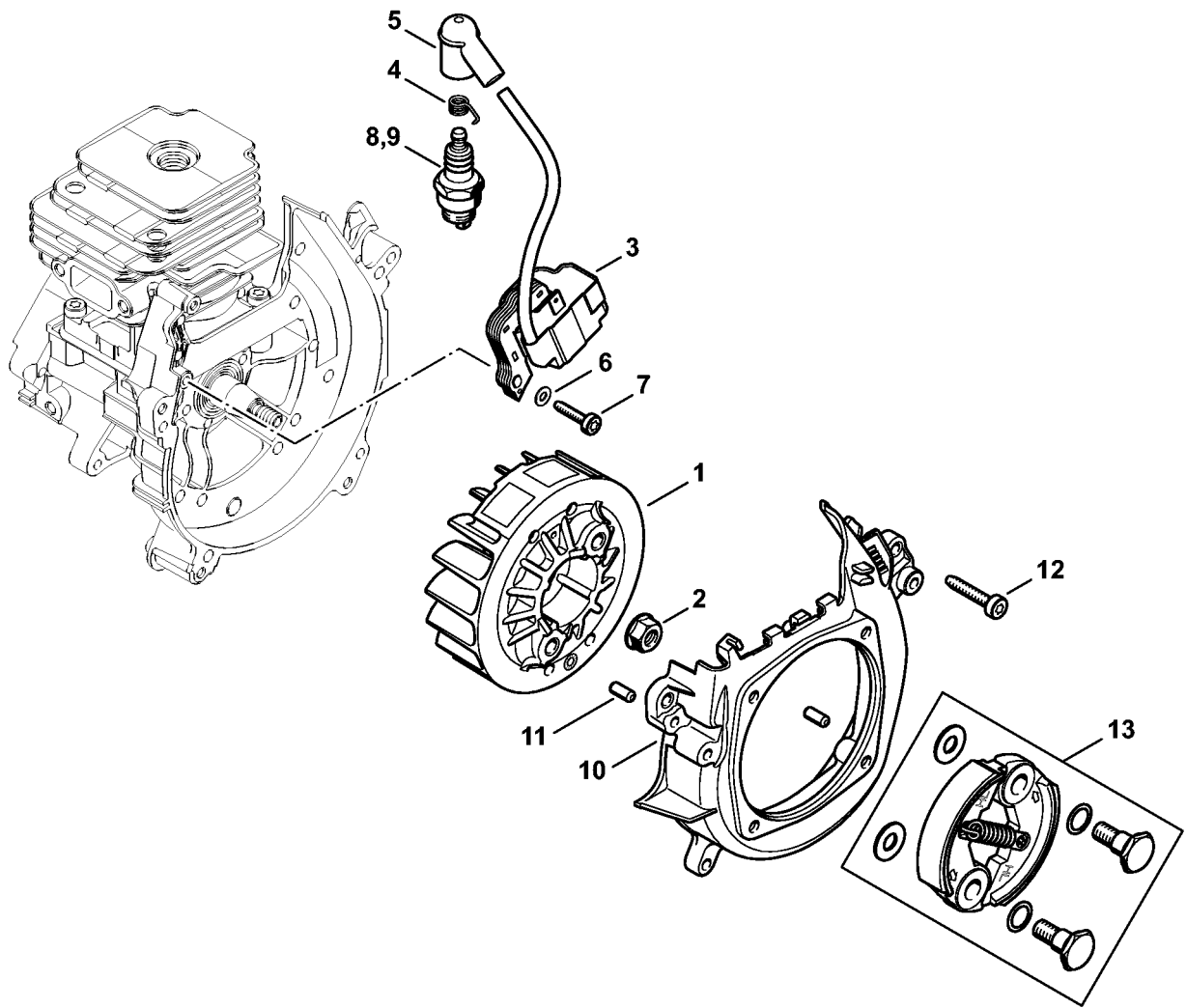


VB02-GET-0000-A0

Rewind starter, Muffler

#	Part Number	Description	Quantity	Contains Item(s)	Remarks
1	4151 190 4000	Rewind starter	1		
2	9075 478 4175	Pan head self-tapping screw IS-D5x28	7		
3	4151 190 2000	Carrier	1		
4	4151 140 0600	Muffler	1		
5	9022 341 1300	Spline screw IS-M6x20	2		
6	4151 080 1600	Shroud	1		
7	VB02 967 3700	Instruction label	1		
8	4151 020 4000	Insert	1		
9	4151 007 1005	Set of gaskets	1		

Ignition system, Clutch

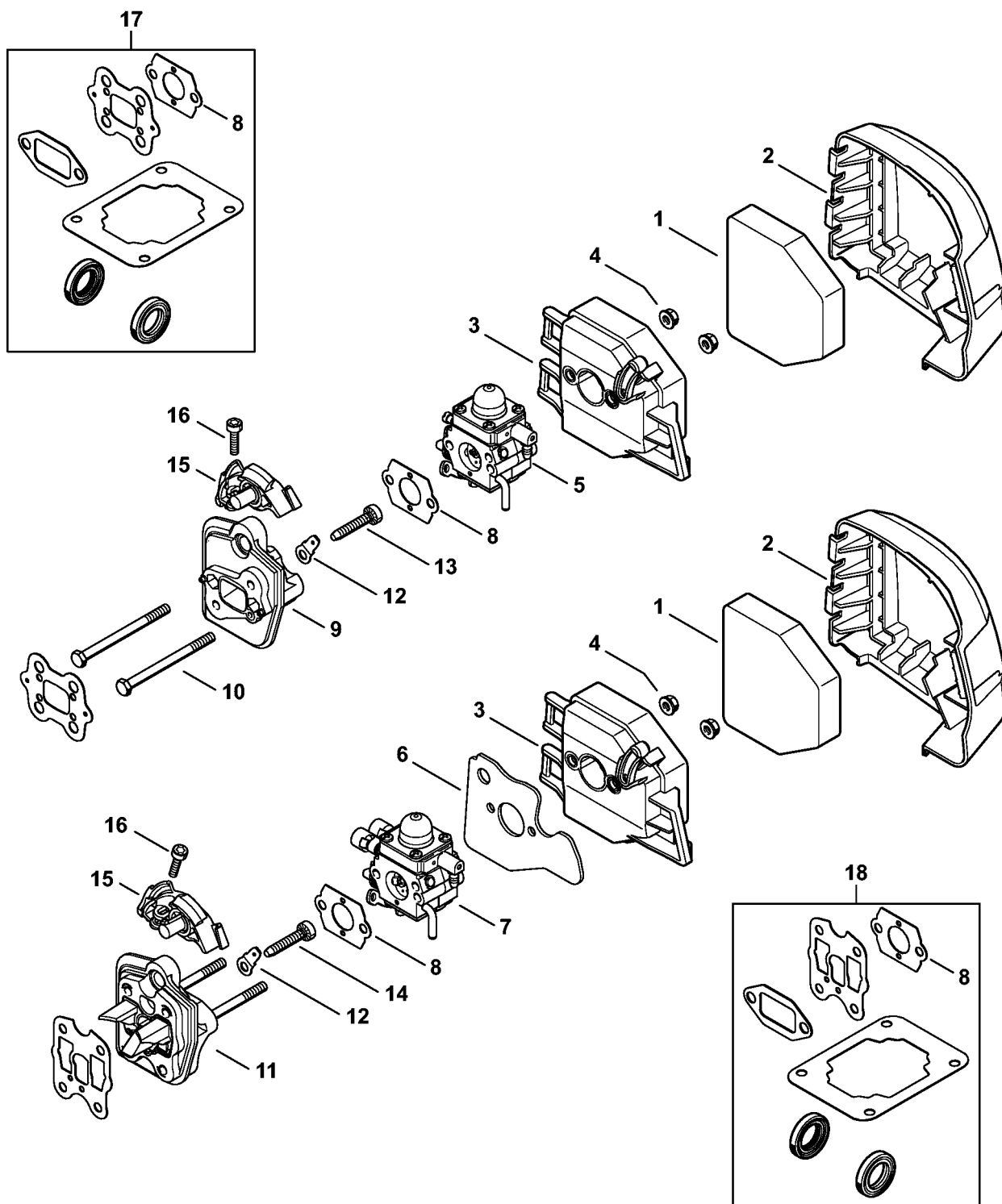


VB02-GET-0001-A0

Ignition system, Clutch

#	Part Number	Description	Quantity	Contains Item(s)	Remarks
1	4151 400 1200	Flywheel	1		
2	9220 260 1100	Hexagon nut M8	1		
3	4151 400 1302	Ignition module	1	4, 5	
4	0000 998 0604	Spark plug contact spring	1		
5	1128 405 1000	Spark plug boot	1		
6	9291 021 0100	Washer 4.3	2		
7	9075 478 3022	Pan head self-tapping screw IS-D4x20	2		
8	0000 400 7000	Spark plug NGK BPMR7A	1		
9	1110 400 7005	Spark plug Bosch WSR 6 F	1		
10	4151 080 1800	Fan housing	1	11	
11	9371 470 2570	Cylindrical pin 5x12	2		
12	9075 478 4175	Pan head self-tapping screw IS-D5x28	2		
13	4151 160 2001	Clutch	1		

Air filter, Spacer flange

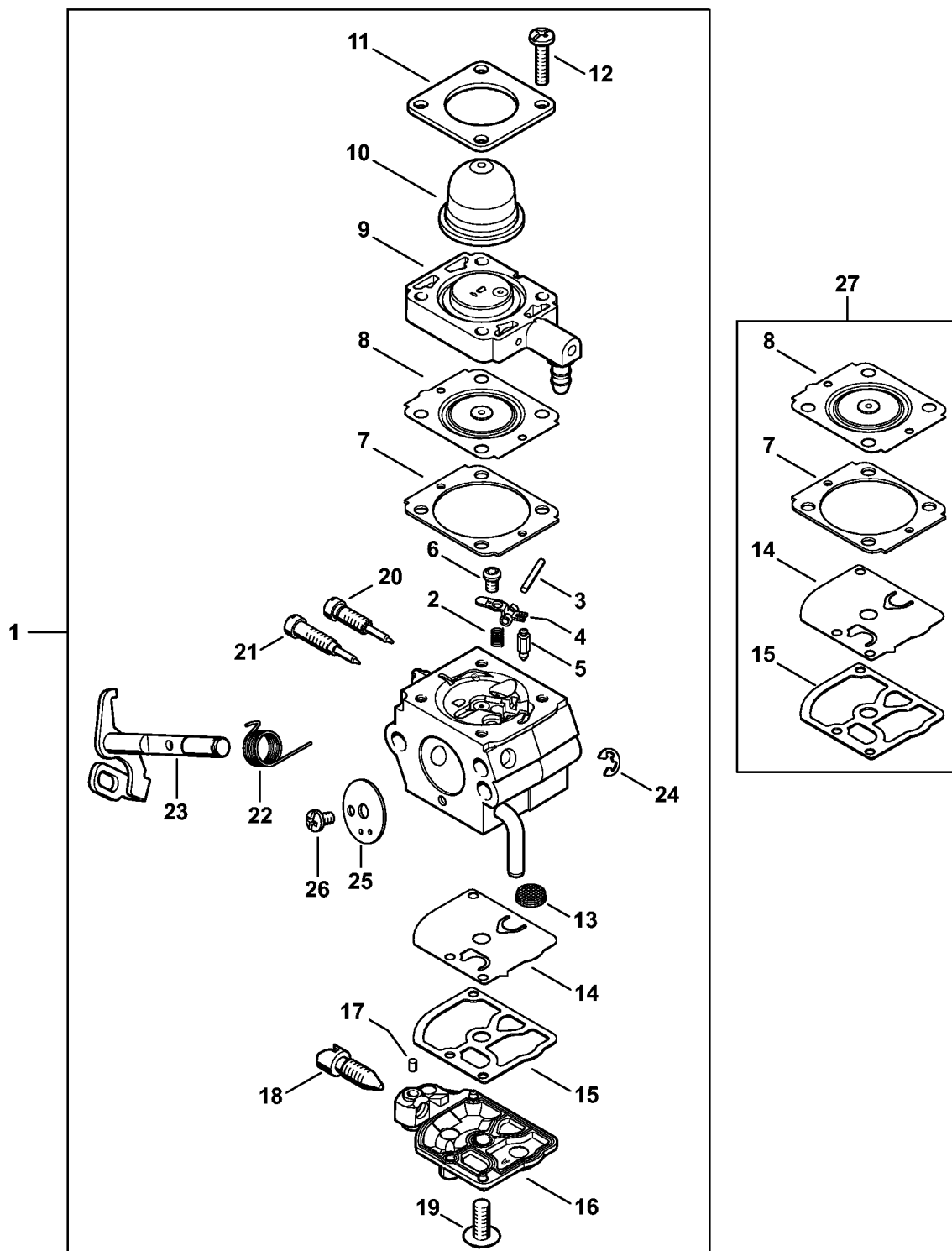


4151-GET-0004-A2

Air filter, Spacer flange

#	Part Number	Description	Quantity	Contains Item(s)	Remarks
1	4151 141 0300	Air filter	1		
2	4151 141 0500	Filter cover	1		
3	4151 140 2800	Filter housing	1		
4	9216 261 0700	Hexagon nut M5	2		
5	4151 120 0600	Carburetor 4151/00	1		
8	4128 129 0900	Gasket	1		
9	4151 121 1602	Spacer flange	1		
10	9007 319 1135	Hexagon head screw M5x65	2		
12	4151 431 2100	Connector tag	1		
13	9075 478 4175	Pan head self-tapping screw IS-D5x28	2		
15	4151 182 7600	Tensioner	1		
16	9022 313 0680	Pan head screw IS M4x16	1		
17	4151 007 1005	Set of gaskets	1	8	

Carburetor 4151/00

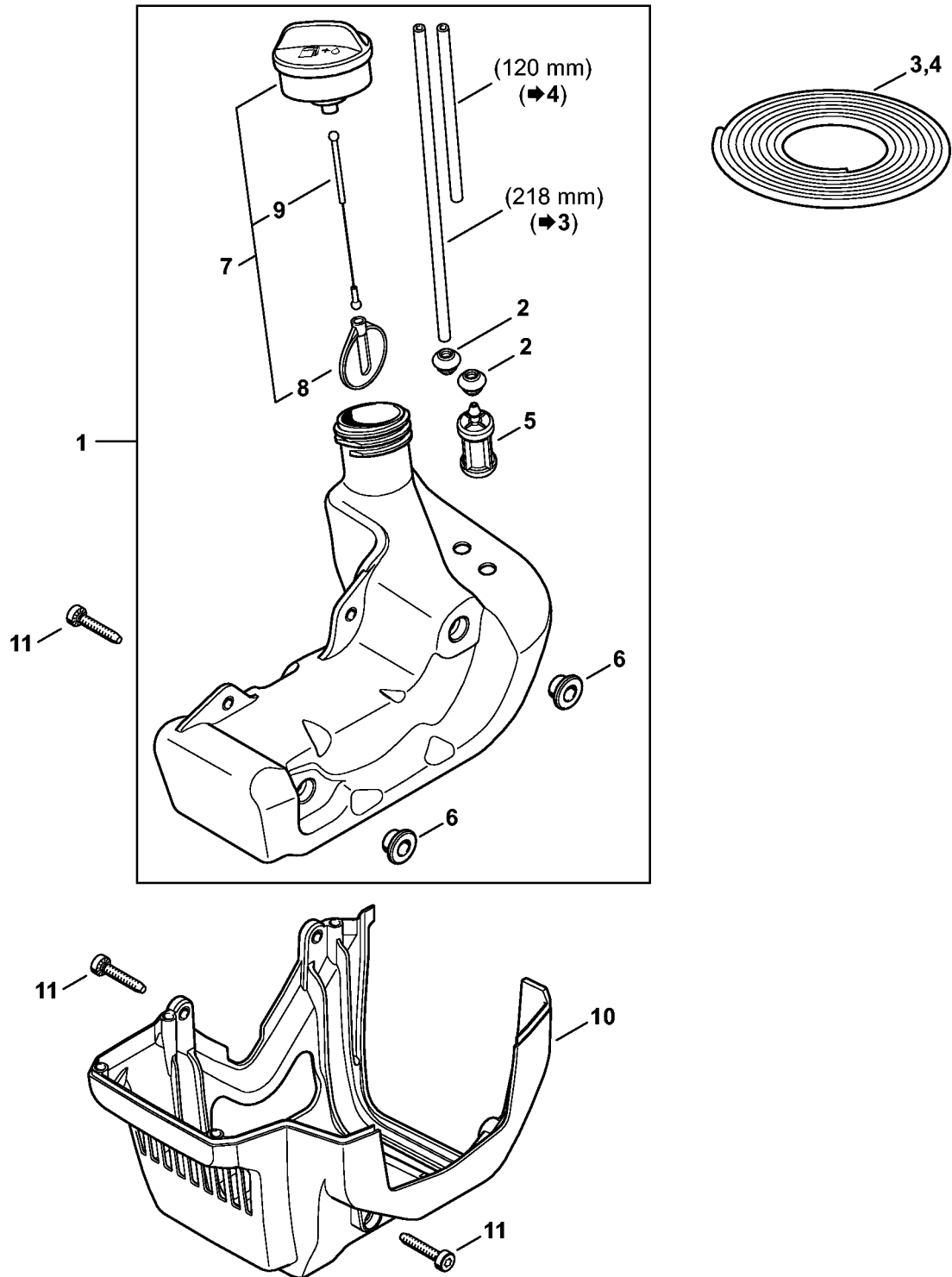


4151-GET-0005-A1

Carburetor 4151/00

#	Part Number	Description	Quantity	Contains Item(s)	Remarks
1	4151 120 0600	Carburetor 4151/00	1	2 - 26	
2	4128 122 3000	Spring	1		
3	1120 121 9200	Spindle	1		
4	1125 121 5000	Inlet control lever	1		
5	Z000 018 Z000	Inlet needle	1		
6	0000 122 7101	Screw	1		
7	4241 129 0901	Metering gasket	1		
8	Z000 015 A011	Metering diaphragm	1		
9	4140 120 2204	Flange	1		
10	4226 121 2700	Cap	1		
11	4140 121 0800	End cover	1		
12	4241 122 7100	Screw	4		
13	1123 121 7800	Strainer	1		
14	1129 121 4800	Pump diaphragm	1		
15	1123 129 0905	Pump gasket	1		
16	4134 121 0802	End cover	1		
17	1125 122 4200	Clamp	1		
18	1146 122 6200	Idle speed screw	1		
19	1120 122 7800	Oval head screw	1		
20	4151 122 6700	High speed screw	1		
21	4151 122 6800	Low speed screw	1		
22	4140 122 3001	Spring	1		
23	4151 120 7100	Throttle shaft with lever	1		
24	1125 122 9001	E-clip	1		
25	4151 121 3300	Throttle shutter	1		
26	1125 122 7403	Round head screw	1		
27	Z010 003 K012	Gasket & diaphragm kit	1	7, 8, 14, 15	

Fuel tank

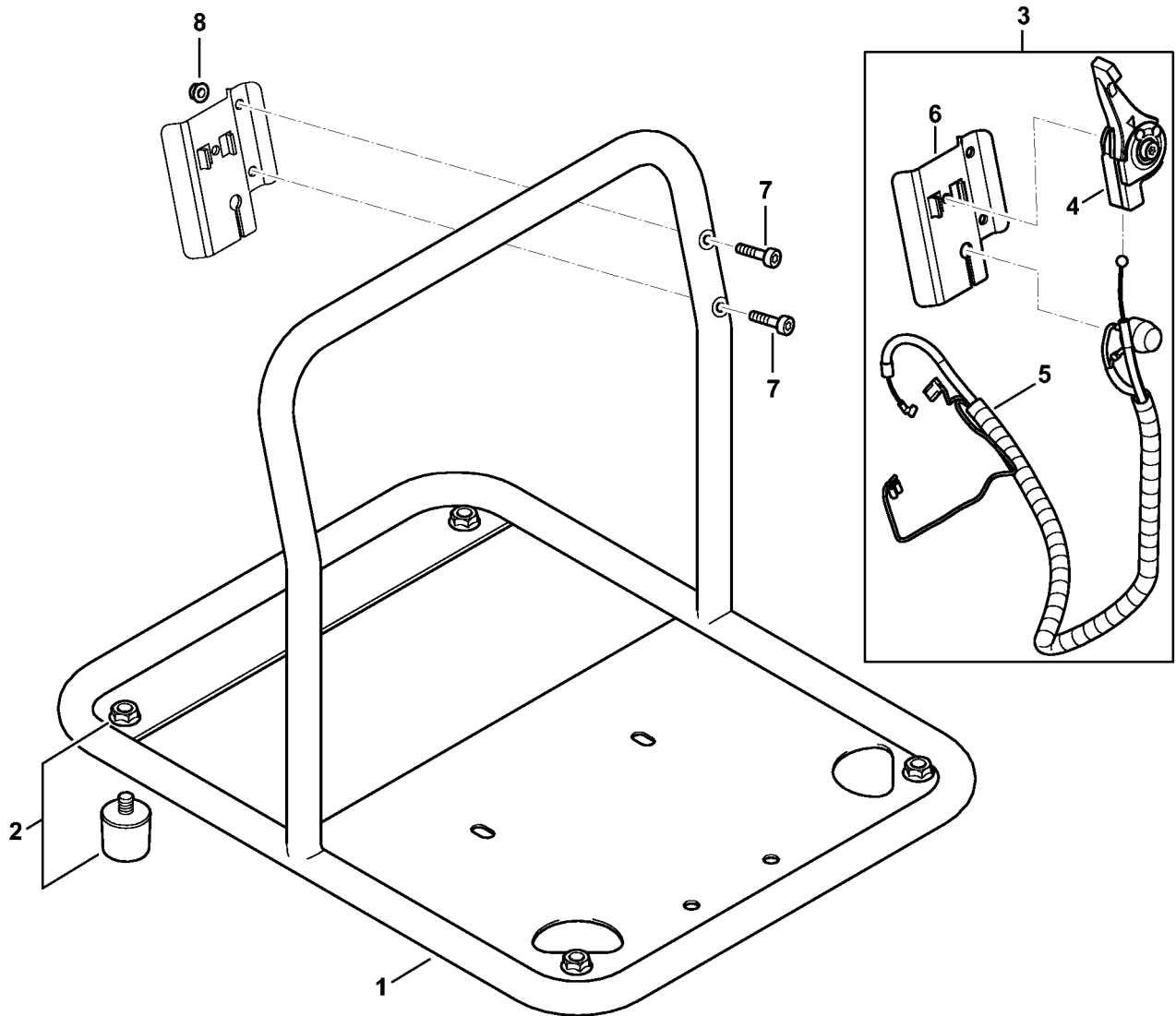


4151-GET-0007-A1

Fuel tank

#	Part Number	Description	Quantity	Contains Item(s)	Remarks
1	4151 350 0403	Fuel tank	1	2 - 9	
2	4151 353 9200	Grommet	2		
3	0000 930 2803	Hose 3.1x5.7 mm x 1 m, R3	1		
4	0000 930 2803	Hose 3.1x5.7 mm x 1 m, R3	1		
5	0000 350 3502	Pickup body	1		
6	4140 352 8100	Insert	2		
7	4128 350 0505	Filler cap	1	8, 9	
8	0000 353 0800	Filler cap retainer	1		
9	0000 350 0900	Rope	1		
10	4151 350 6600	Guard plate	1		
11	9075 478 4175	Pan head self-tapping screw IS-D5x28	4		

Support frame, Control lever

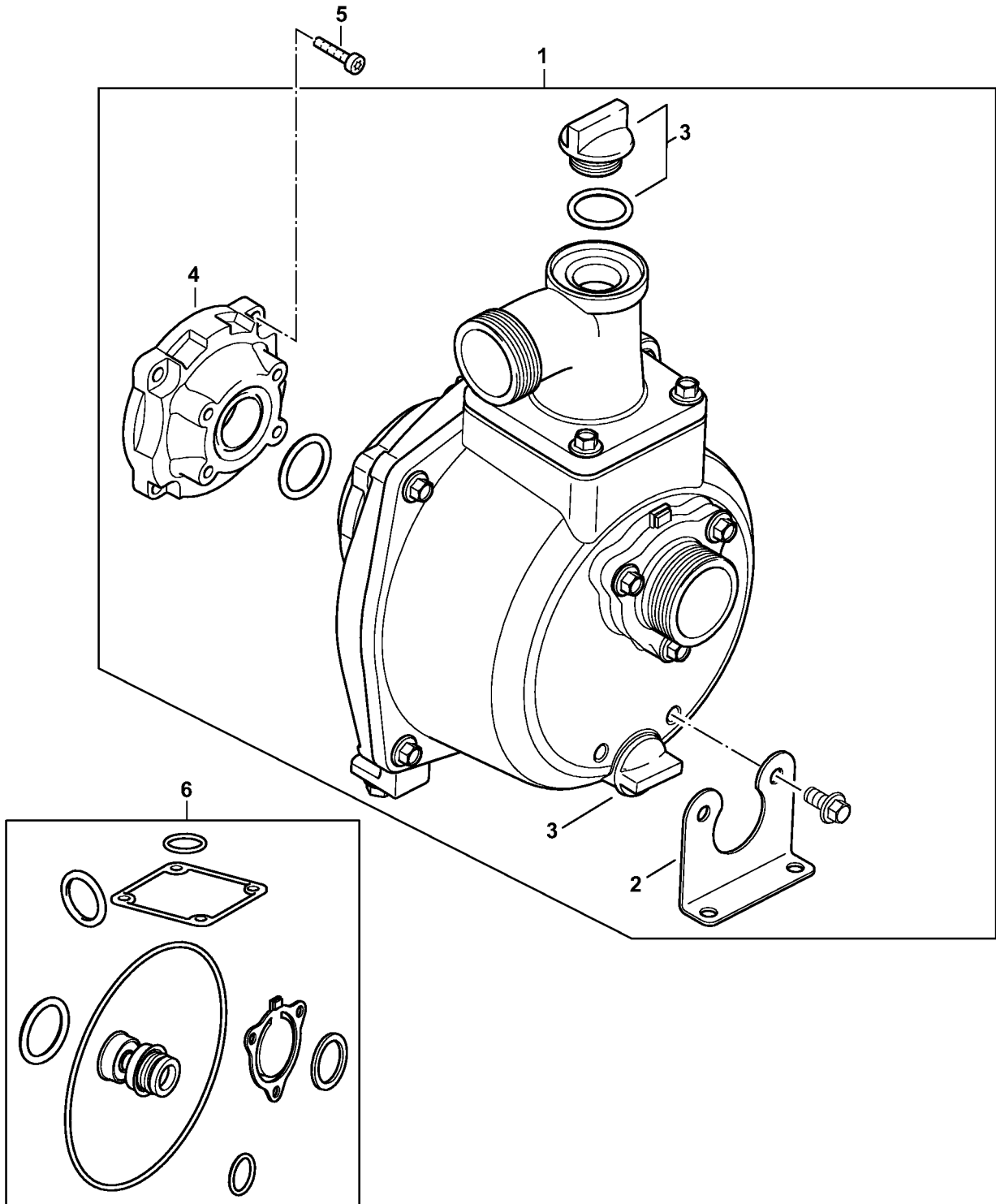


VB02-GET-0002-A2

Support frame, Control lever

#	Part Number	Description	Quantity	Contains Item(s)	Remarks
1	VB02 790 1801	Support frame	1	2	
2	VB02 820 1000	Support foot	4		
3	VB02 180 0704	Control lever with throttle cable	1	4 - 6	
4	VB02 180 0700	Control lever	1		
5	VB02 180 1102	Throttle cable	1		
6	VB02 791 6500	Plate	1		
7	9022 341 0900	Spline screw IS-M5x28	2		
8	9214 320 0700	Lock nut M5	2		

Pump

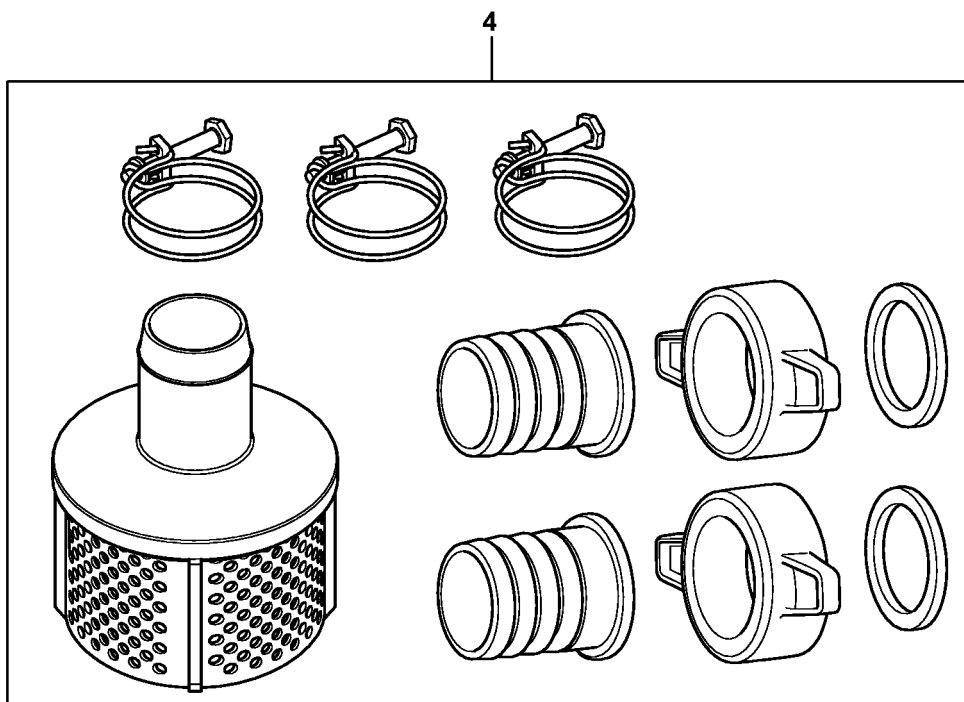
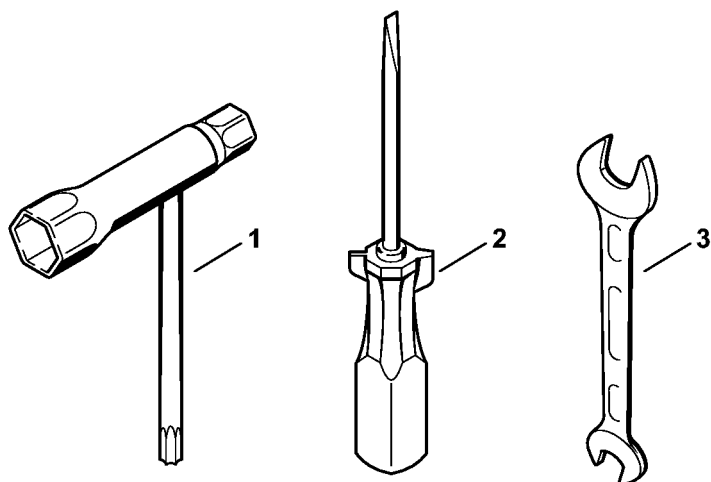


VB02-GET-0005-A1

Pump

#	Part Number	Description	Quantity	Contains Item(s)	Remarks
1	VB02 700 5601	Pump	1	2 - 4	
2	VB02 791 7600	Support	1		
3	VB02 770 0500	Cup plug	2		
4	VB02 160 0600	Clutch housing	1		
5	9022 341 1350	Spline screw IS-M6x25	4		
6	VB02 007 1600	Set of gaskets	1		

Tools, Extras

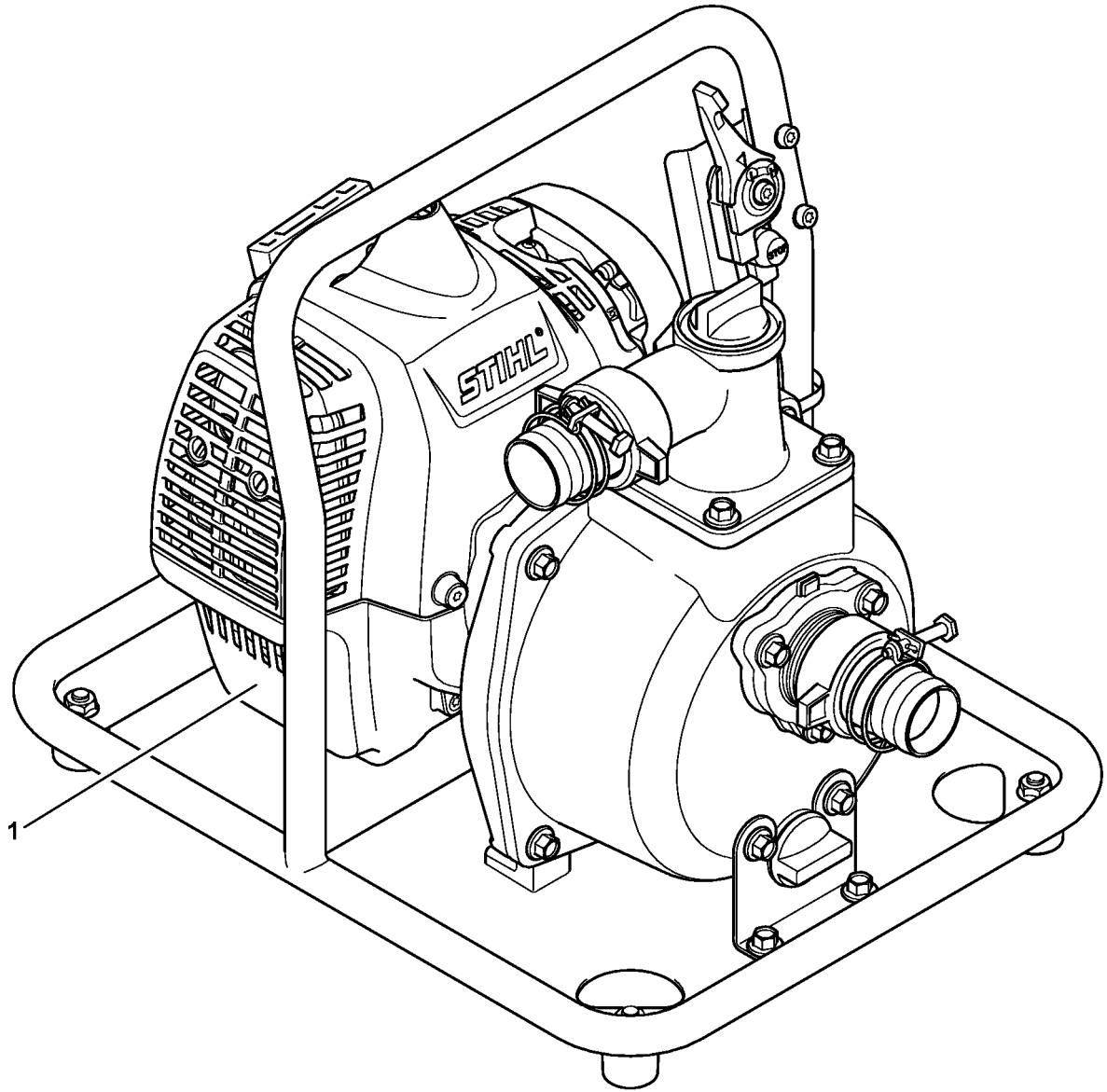


VB02-GET-0004-A0

Tools, Extras

#	Part Number	Description	Quantity	Contains Item(s)	Remarks
1	YB01 890 3400	Combination wrench	1		
2	0000 890 2300	Screwdriver	1		
3	0811 012 1152	Wrench 8x10	1		
4	VB02 007 1002	Accessory parts kit WP 230	1		

Serial number

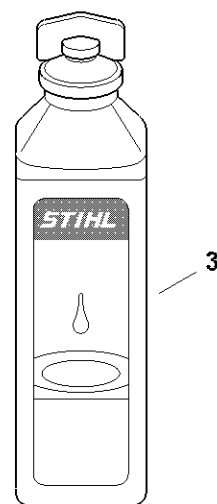
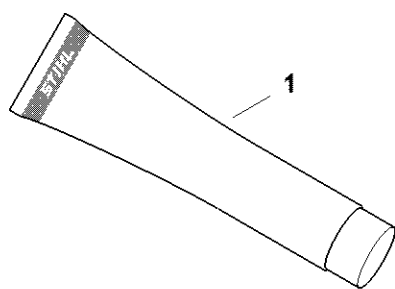


VB02-GET-0005-A0

Serial number

#	Part Number	Description	Quantity	Contains Item(s)	Remarks
1		Position of serial number	1		

Miscellaneous lubricants and greases

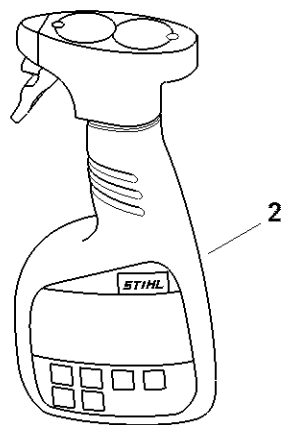
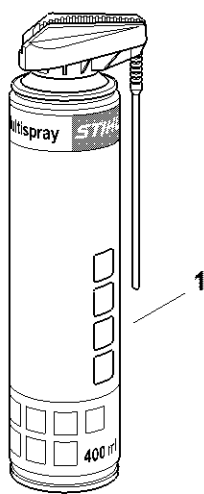


0000-GET-0170-A0

Miscellaneous lubricants and greases

#	Part Number	Description	Quantity	Contains Item(s)	Remarks
1	0781 120 1021	STIHL Multilub 40g tube	1		
1	0781 120 1109	Multipurpose grease 80 g	1		
1	0781 120 1110	Multipurpose grease 225 g	1		
2	0781 957 9000	Press fluid OH 723	1		
3	0781 319 8401	HP 100ml	1		
3	0781 319 8052	HP Super 100ml	1		
3	0781 319 8060	HP Ultra 100ml	1		

Cleaning products

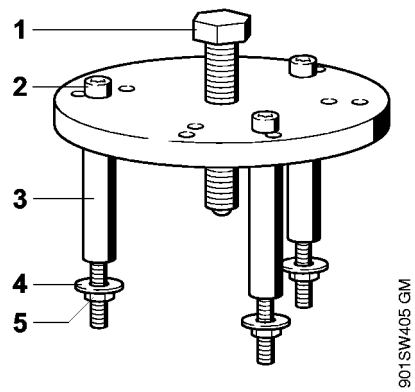


0000-GET-0172-A0

Cleaning products

#	Part Number	Description	Quantity	Contains Item(s)	Remarks
1	0730 411 7002	Multispray 50 ml	1		
1	0730 411 7000	Multispray	1		
2	0000 881 9400	VarioClean 500 ml	1		
2	0000 881 9409	Special cleaner 5 l	1		
3	0782 516 8500	Multioil Bio 50 ml	1		

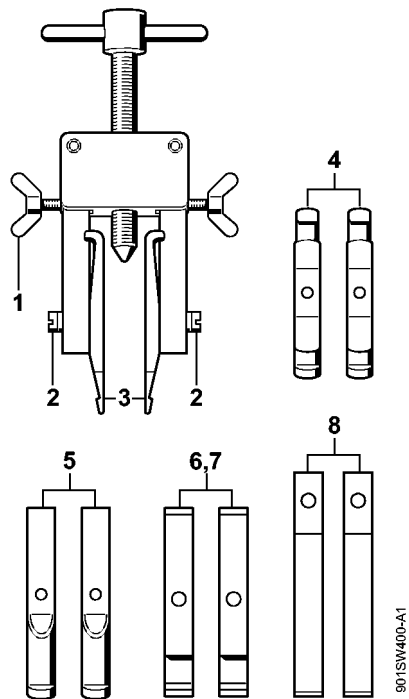
Removing tool



Removing tool

#	Part Number	Description	Quantity	Contains Item(s)	Remarks
	5910 890 4601	Removing tool	1	1 - 5	
1	0000 951 0920	Hexagon head screw M10x55	1		
2	9022 341 1190	Spline screw IS-M5x72	3		
3	1123 851 8300	Sleeve	3		
4	9307 021 0120	Washer 5.3	3		
5	9210 260 0700	Hexagon nut M5	3		

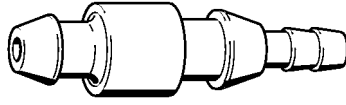
Puller



Puller

#	Part Number	Description	Quantity	Contains Item(s)	Remarks
	5910 890 4400	Puller	1	1 - 8	
1	9157 691 0980	Wing screw M5x16	2		
2	9044 319 0980	Pan head screw M5x16	2		
3	0000 893 3700	Jaw (profile No. 1 and 2)	2		
4	0000 893 3706	Jaw (profile No. 3.1 and 4)	2		
5	0000 893 3711	Jaw (profile No. 6)	2		
6	0000 893 3703	Jaw (profile No. 7)	2		
7	0000 893 3704	Jaw (profile No. 8)	2		
8	0000 893 3707	Jaw (profile No. 9)	2		

Nipple

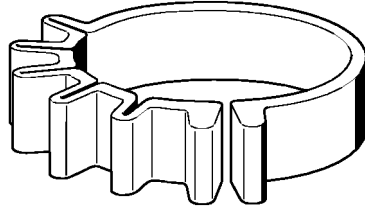


901SW008 GM

Nipple

#	Part Number	Description	Quantity	Contains Item(s)	Remarks
	0000 855 9200	Nipple	1		

Clamping strap



901SW011 GM

Clamping strap

#	Part Number	Description	Quantity	Contains Item(s)	Remarks
	0000 893 2600	Clamping strap	1		

Sealing plate

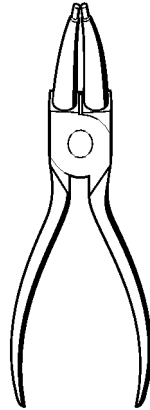


901 SW078 GM

Sealing plate

#	Part Number	Description	Quantity	Contains Item(s)	Remarks
	0000 855 8106	Sealing plate	1		

Pliers C19

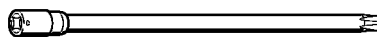


901SW087 GM

Pliers C19

#	Part Number	Description	Quantity	Contains Item(s)	Remarks
	0811 641 8380	Pliers C19	1		

Socket, T27x125

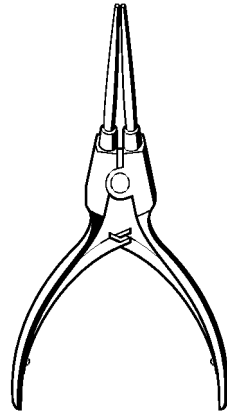


901SW091 GM

Socket, T27x125

#	Part Number	Description	Quantity	Contains Item(s)	Remarks
	0812 542 2104	Driver bit, 1/4" square drive, T27x125	1		

Pliers A10-flat

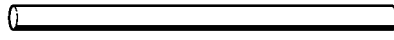


901 SW092 GM

Pliers A10-flat

#	Part Number	Description	Quantity	Contains Item(s)	Remarks
	0816 610 1495	Pliers A10-flat	1		

Hose 135 mm / 5 5/16"

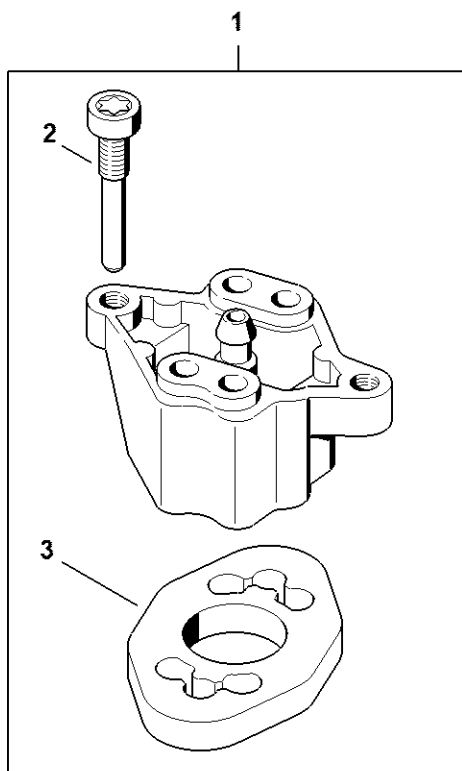


901SW100 GM

Hose 135 mm / 5 5/16"

#	Part Number	Description	Quantity	Contains Item(s)	Remarks
	1110 141 8600	Hose 135 mm / 5 5/16"	1		

Flange

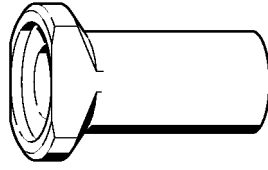


5910-GET-0183-A1

Flange

#	Part Number	Description	Quantity	Contains Item(s)	Remarks
1	5910 850 4207	Flange	1	2, 3	
2	1128 855 9000	Screw M5x30	1		
3	5910 851 9901	Gasket	1		

Press sleeve

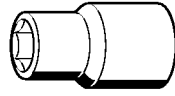


901SW152 GM

Press sleeve

#	Part Number	Description	Quantity	Contains Item(s)	Remarks
	4112 893 2401	Press sleeve	1		

Socket, 13 mm



901SW217 GM

Socket, 13 mm

#	Part Number	Description	Quantity	Contains Item(s)	Remarks
	5910 893 5608	Socket, 13 mm	1		

Assembly hook

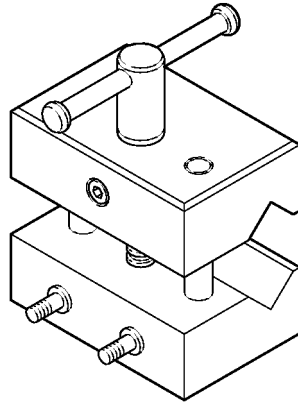


901SW221 GM

Assembly hook

#	Part Number	Description	Quantity	Contains Item(s)	Remarks
	5910 893 8800	Assembly hook	1		

Tensioner

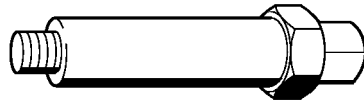


901-SW225 GM

Tensioner

#	Part Number	Description	Quantity	Contains Item(s)	Remarks
	5910 890 8800	Tensioner	1		

Installing tool

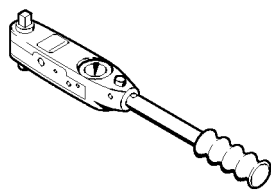


901SW231 KN

Installing tool

#	Part Number	Description	Quantity	Contains Item(s)	Remarks
	5910 890 2202	Installing tool	1		

Torque wrench with optical/acoustic signal

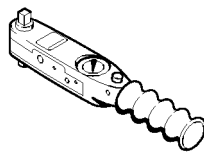


901SW230 KN

Torque wrench with optical/acoustic signal

#	Part Number	Description	Quantity	Contains Item(s)	Remarks
	5910 890 0312	Torque wrench with optical/acoustic signal	1		

Torque wrench with optical/acoustic signal

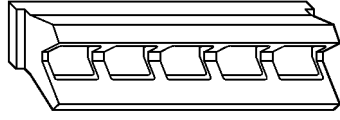


901SW292 KN

Torque wrench with optical/acoustic signal

#	Part Number	Description	Quantity	Contains Item(s)	Remarks
		Torque wrench	1		

Clamping jaws

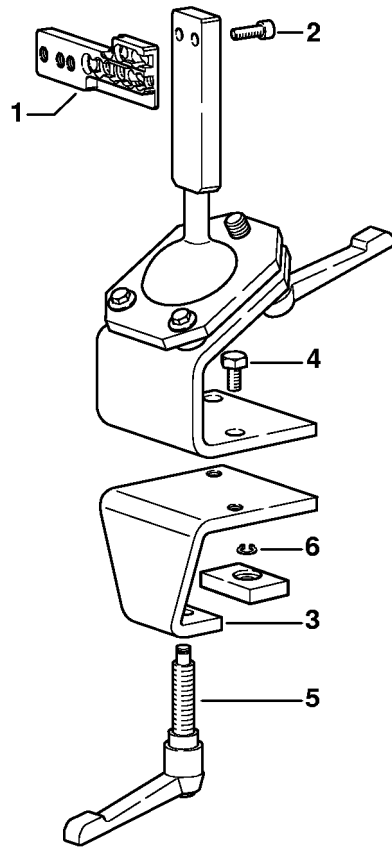


901SW352 CM

Clamping jaws

#	Part Number	Description	Quantity	Contains Item(s)	Remarks
	5910 893 2700	Clamping jaws	1		

Assembly stand

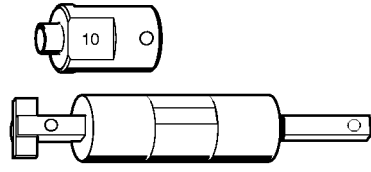


9015W363 SC

Assembly stand

#	Part Number	Description	Quantity	Contains Item(s)	Remarks
	5910 890 3101	Assembly stand	1	1 - 6	
1	5910 850 1651	Support	1		
2	9045 319 2390	Socket head screw M10x25	2		
3	5910 850 2100	Clamping plate	1	4 - 6	
4	9008 319 2930	Hexagon head screw M12x20	2		
5	5910 890 1901	Clamp lever	1		
6	9455 621 0850	Circlip 10x1	1		

Installing tool, 10

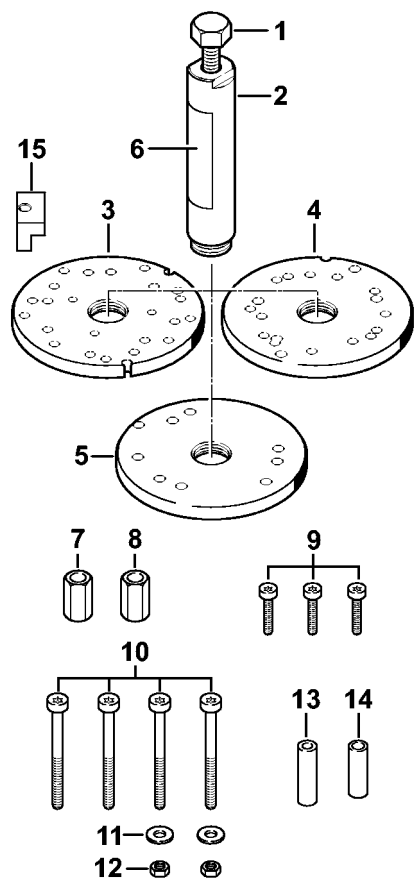


901SW369 KN

Installing tool, 10

#	Part Number	Description	Quantity	Contains Item(s)	Remarks
	5910 890 2210	Installing tool, 10	1		
	5910 893 1707	Sleeve	1		

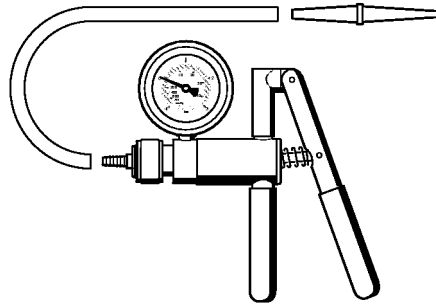
Service tool ZS



5910-GET-0121-A0

Service tool ZS

#	Part Number	Description	Quantity	Contains Item(s)	Remarks
	5910 007 2201	Service tool ZS	1	1 - 15	
1	5910 893 8505	Spindle ZS	1		
2	5910 890 1800	Screw sleeve	1	1, 6	
3	5910 893 2101	Drilled plate	1		
4	5910 893 2102	Drilled plate	1		
5	5910 890 0550	Drilled plate	1	6	
6	5910 967 3500	Instruction label	1		
7	5910 893 2420	Screw sleeve	1		
8	5910 893 2421	Screw sleeve	1		
9	9022 313 0740	Spline screw IS-M4x25	3		
10	9022 341 1190	Spline screw IS-M5x72	4		
11	9307 021 0120	Washer 5.3	2		
12	9210 260 0700	Hexagon nut M5	2		
13	5910 893 1702	Sleeve	1		
14	5910 893 1701	Sleeve	1		
15	5910 893 8700	Thrust piece	1		

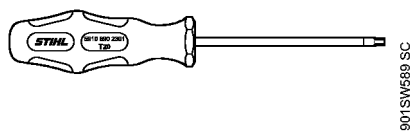


901SW486 GM

Pump

#	Part Number	Description	Quantity	Contains Item(s)	Remarks
	0000 850 1300	Pump	1		
	0000 855 9201	Nipple	1		
	0000 855 0100	Hose	1		

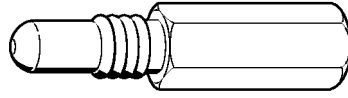
Screwdriver, T20



Screwdriver, T20

#	Part Number	Description	Quantity	Contains Item(s)	Remarks
	5910 890 2301	Screwdriver, T20	1		

Locking screw

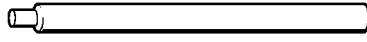


901SW031 GM

Locking screw

#	Part Number	Description	Quantity	Contains Item(s)	Remarks
	1107 191 1200	Locking screw	1		

Assembly drift

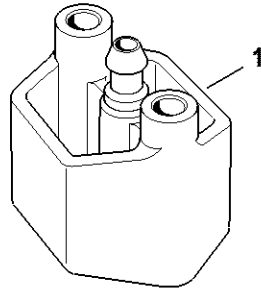


901SW036 GM

Assembly drift

#	Part Number	Description	Quantity	Contains Item(s)	Remarks
	1110 893 4700	Assembly drift	1		

Flange

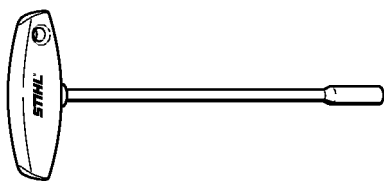


5910-GET-0136-A0

Flange

#	Part Number	Description	Quantity	Contains Item(s)	Remarks
1	1118 850 4200	Flange	1		

Screwdriver, Q-SW 8x200

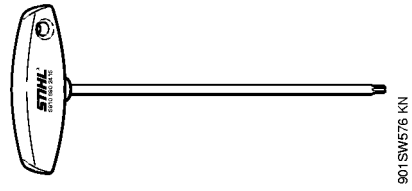


901SW692.SC

Screwdriver, Q-SW 8x200

#	Part Number	Description	Quantity	Contains Item(s)	Remarks
	5910 890 2420	Screwdriver, Q-SW 8x200	1		

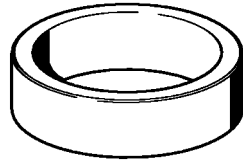
Screwdriver, T27x200



Screwdriver, T27x200

#	Part Number	Description	Quantity	Contains Item(s)	Remarks
	5910 890 2415	Screwdriver, T27x200	1		

Ring

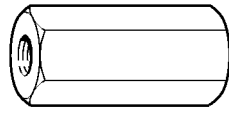


9015W458 KN

Ring

#	Part Number	Description	Quantity	Contains Item(s)	Remarks
	5910 893 7005	Ring	1		

Puller

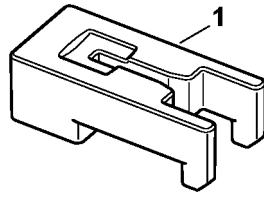


901SW174 GM

Puller

#	Part Number	Description	Quantity	Contains Item(s)	Remarks
	4133 893 0800	Puller	1		

Piston support



5910-GET-0001-A0

Piston support

#	Part Number	Description	Quantity	Contains Item(s)	Remarks
1	5910 893 5301	Piston support	1		

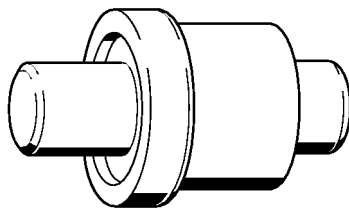
Press sleeve



901SW066 GM

Press sleeve

#	Part Number	Description	Quantity	Contains Item(s)	Remarks
	1120 893 2400	Press sleeve	1		

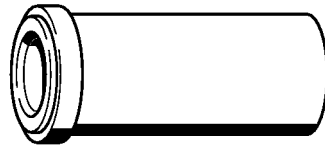


901 SW062 GM

Press arbor

#	Part Number	Description	Quantity	Contains Item(s)	Remarks
	1118 893 7200	Press arbor	1		

Press sleeve

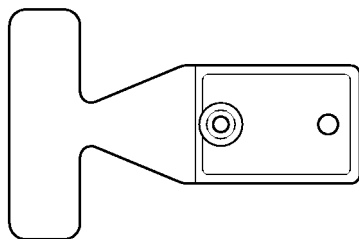


9015W452 KN

Press sleeve

#	Part Number	Description	Quantity	Contains Item(s)	Remarks
	1143 893 2400	Press sleeve	1		

Setting gauge



901 SW138 GM

Setting gauge

#	Part Number	Description	Quantity	Contains Item(s)	Remarks
	1127 890 6400	Setting gauge	1		