

# TS 700

Spare Parts List

02/08/2023

Indonesia, English

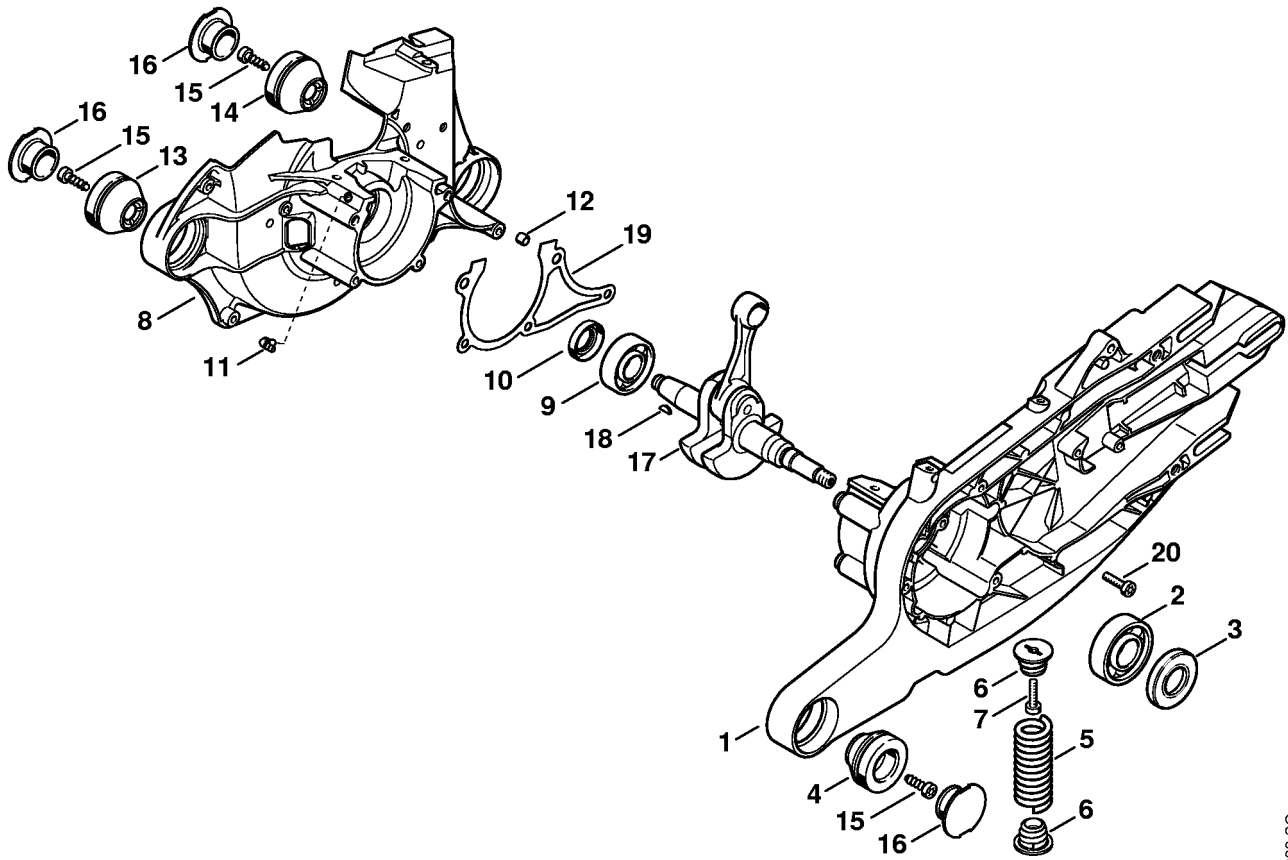
## Contents

Crankcase .....	3	Assembly hook .....	67
Cylinder, Muffler .....	5	Ignition system tester, ZAT 4 .....	69
Belt tensioner, Clutch .....	8	Flange .....	71
Rewind starter .....	11	Socket, 13 mm, long reach .....	73
Tank housing .....	13	Press sleeve .....	75
Ignition system .....	16	Press arbor .....	77
Carburetor WJ-114 .....	18	Press sleeve .....	79
Carburetor HS-314 (43.2007), (21.2011) .....	21	Socket, T20 .....	81
Air filter, Shroud .....	24	Locking strip .....	83
Support with guard with water attachment .....	27	Sleeve .....	85
Support with guard with water attachment (43.2007) .....	30	Installing tool, 12 .....	87
Pressurized water tank .....	33	Torque wrench with optical/acoustic signal .....	89
Pressurized water tank (28.2010) .....	35	Torque wrench .....	91
Tools, Extras .....	37	Torque wrench with optical/acoustic signal .....	93
Wheel kit .....	39	Torque wrench .....	95
Serial number .....	41	Dial gauge .....	97
Nipple .....	43	Jaw (profile No. 3.1 and 4) .....	99
Installing tool .....	45	Jaw (profile No. 6) .....	101
Clamping strap .....	47	Screw sleeve .....	103
Puller .....	49	Drilled plate .....	105
Wooden assembly block .....	51	Screw sleeve .....	107
Sealing plate .....	53	Flange .....	109
Hose 135 mm / 5 5/16" .....	55	Assembly stand .....	111
Setting gauge .....	57	Clamping plate .....	113
Plug .....	59	Spindle ZS .....	115
Dial gauge holder .....	61	Puller .....	117
Test disk .....	63	Puller .....	119
Assembly hook .....	65	Flange .....	121
		Nipple .....	123

# Contents

Testing tool kit .....	125
Pump .....	127
Setting gauge .....	129
Installing tool AS .....	131
Installing tool LS .....	133

# Crankcase

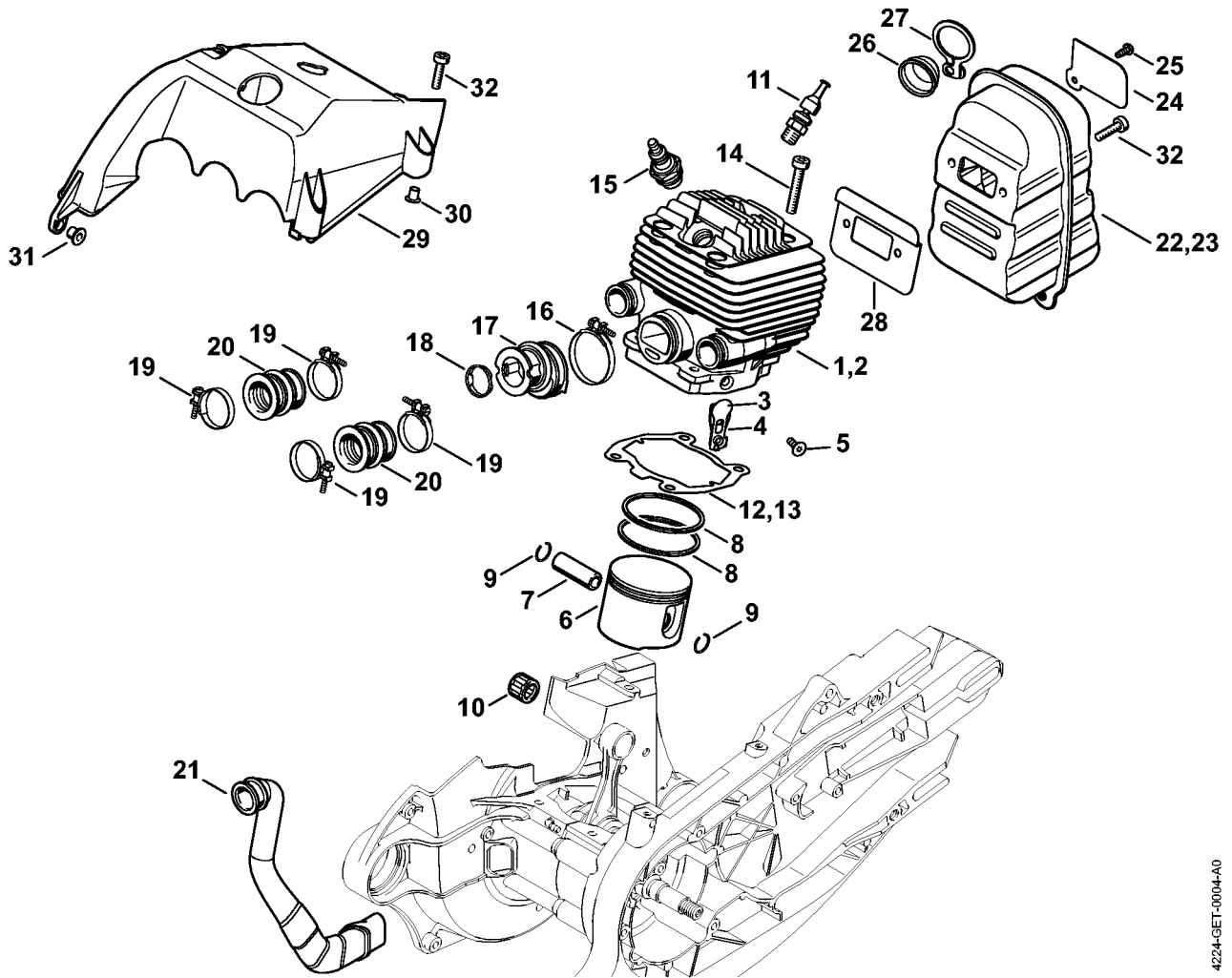


376ET000 SC

# Crankcase

#	Part Number	Description	Quantity	Contains Item(s)	Remarks
1	4224 020 2910	Crankcase	1	2 - 4	
2	9503 003 0540	Grooved ball bearing 6204	1		
3	9640 003 2257	Oil seal 20x42x5	1		
4	4224 790 9902	Annular buffer	1		
5	0000 791 3102	Spring	1		
6	4224 792 2902	AV mount	2		
7	9022 371 1020	Spline screw IS-M5x20	1		
8	4224 020 2605	Crankcase, fan side	1	9 - 14	
9	9503 003 0450	Grooved ball bearing 6203	1		
10	9640 003 1745	Oil seal 17x28x7	1		
11	1110 122 3900	Elbow connector	1		
12	0000 988 8600	Sleeve	2		
13	4224 790 9902	Annular buffer	1		
14	4224 790 9903	Annular buffer	1		
15	9074 478 4435	Pan head self-tapping screw IS-P6x19	3		
16	1122 791 7300	Plug	3		
17	4224 030 0400	Crankshaft	1	18	
18	1120 036 8500	Woodruff key 2x3.7	1		
19	4224 029 0500	Gasket	1		
20	9022 371 1020	Spline screw IS-M5x20	5		
	4224 007 1012	Set of gaskets	1	3, 10, 19	
	4224 007 1010	Set of gaskets	1	3, 10, 19	
	4224 007 1019	Set of gaskets	1	3, 10, 19	

# Cylinder, Muffler



4224-GET-0004-A0

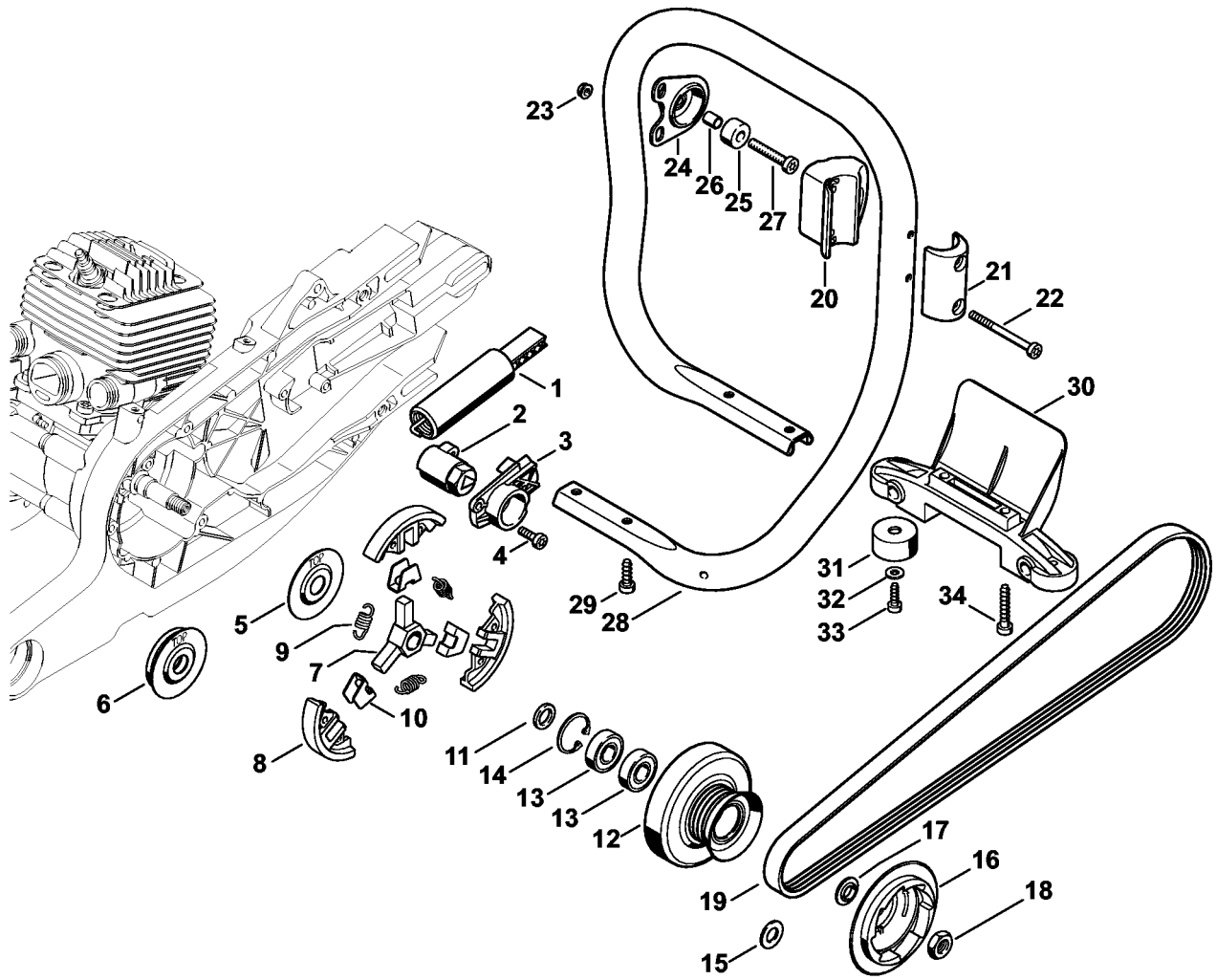
# Cylinder, Muffler

#	Part Number	Description	Quantity	Contains Item(s)	Remarks
1	4224 020 1205	Cylinder with piston Ø 56 mm	1	3 - 9	
2	4224 020 1202	Cylinder with piston Ø 56 mm	1	3 - 9	
	4224 020 1601	Diaphragm	4	3 - 5	
3		Diaphragm	1		
4		Support plate	1		
5		Screw	1		
6	4224 030 2005	Piston Ø 56 mm	1	7 - 9	
7	4224 034 1500	Piston pin 12x8x35	1		
8	1115 034 3013	Piston ring Ø 56x1.5 mm	2		
9	9463 650 1200	Snap ring 12x1	2		
10	9512 003 3283	Needle cage 12x17x13	1		
11	4223 020 9400	Decompression valve	1		
12	4224 029 2302	Cylinder gasket	1		
13	4224 029 2300	Cylinder gasket	1		
14	9022 341 1380	Spline screw IS-M6x35	4		
15	0000 400 7000	Spark plug NGK BPMR7A	1		
15	1110 400 7005	Spark plug Bosch WSR 6 F	1		
16	9771 021 2620	Hose clip Ø 36x5	1		
17	4223 141 2200	Manifold	1		
18	1122 141 1805	Sleeve	1		
19	9771 021 2524	Hose clip 27x5	4		
20	4224 141 2202	Manifold	2		
21	4224 141 5400	Hose	1		
22	4224 140 0605	Muffler	1	28, 32	
28	4224 149 0600	Muffler gasket	1		
29	4224 080 0900	Air guide shroud	1	30, 31	
30	9416 868 6531	Hollow rivet 6.5x0.5x6.8	1		

# Cylinder, Muffler

#	Part Number	Description	Quantity	Contains Item(s)	Remarks
31	9991 003 5087	Sleeve 7.5x6.8	1		
32	9022 371 1020	Spline screw IS-M5x20	6		
	4224 007 1012	Set of gaskets	1	12, 28	
	4224 007 1010	Set of gaskets	1	13, 28	
	4224 007 1019	Set of gaskets	1	13, 28	

# Belt tensioner, Clutch



376ET045 SC



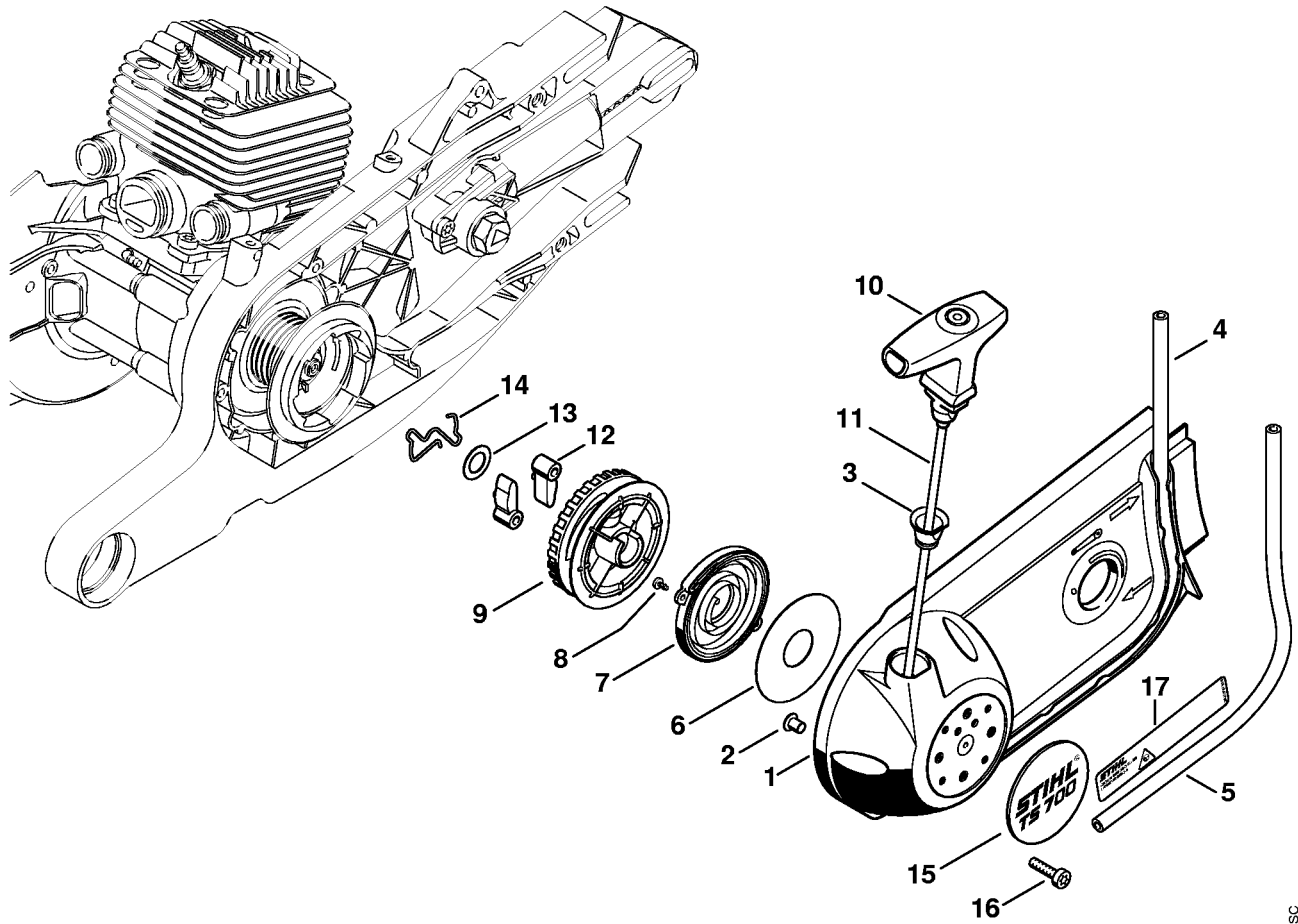
# Belt tensioner, Clutch

#	Part Number	Description	Quantity	Contains Item(s)	Remarks
1	4221 660 0400	Belt tensioner	1		
2	4224 664 2100	Clamping lever	1		
3	4224 664 4200	Cover	1		
4	9022 341 0980	Spline screw IS-M5x16	2		
5	4221 162 1000	Cover washer	1		
6	4224 160 3000	Cover washer	1		AUS, NZ
7	4224 160 2001	Clutch	1	8 - 10	
8	1122 162 0800	Clutch shoe	3		
9	0000 997 5503	Tension spring	3		
10	0000 162 3001	Retainer	3		
11	4224 162 2600	Spacer ring	1		
12	4224 760 8500	Poly V-belt pulley	1	13, 14	
13	9503 003 5136	Grooved ball bearing 6001-2RS	2		
14	9456 621 3100	Circlip 28x1.2	1		
15	9291 021 3870	Washer 10.5x20x1.5	1		
16	4224 190 0550	Starter cup	1	17	
17	4224 195 0200	Centering sleeve	1		
18	9211 260 1340	Hexagon nut M10x1	1		
19	9490 000 7920	Multi-rib belt	1		
20	4224 791 1900	Handlebar support	1		
21	4224 791 0900	Clamp	1		
22	9022 341 1120	Spline screw IS-M5x58	2		
23	9216 261 0700	Hexagon nut M5	2		
24	4224 790 9900	Annular buffer	1		
25	4224 703 4300	Stop buffer	1		
26	4224 703 3800	Sleeve	1		
27	9022 341 1380	Spline screw IS-M6x35	1		

# Belt tensioner, Clutch

#	Part Number	Description	Quantity	Contains Item(s)	Remarks
28	4224 791 1703	Handlebar	1		
29	9074 478 4435	Pan head self-tapping screw IS-P6x19	2		
	4224 790 7600	Support	1	30, 31, 33	
30	4224 791 7600	Support	1		
31	4205 790 9300	Rubber buffer	2		
32	0000 958 0511	Washer	2		
33	0000 951 1100	Screw IS-D5x20	2		
34	9074 478 4675	Pan head self-tapping screw IS-P6x32.5	2		

# Rewind starter

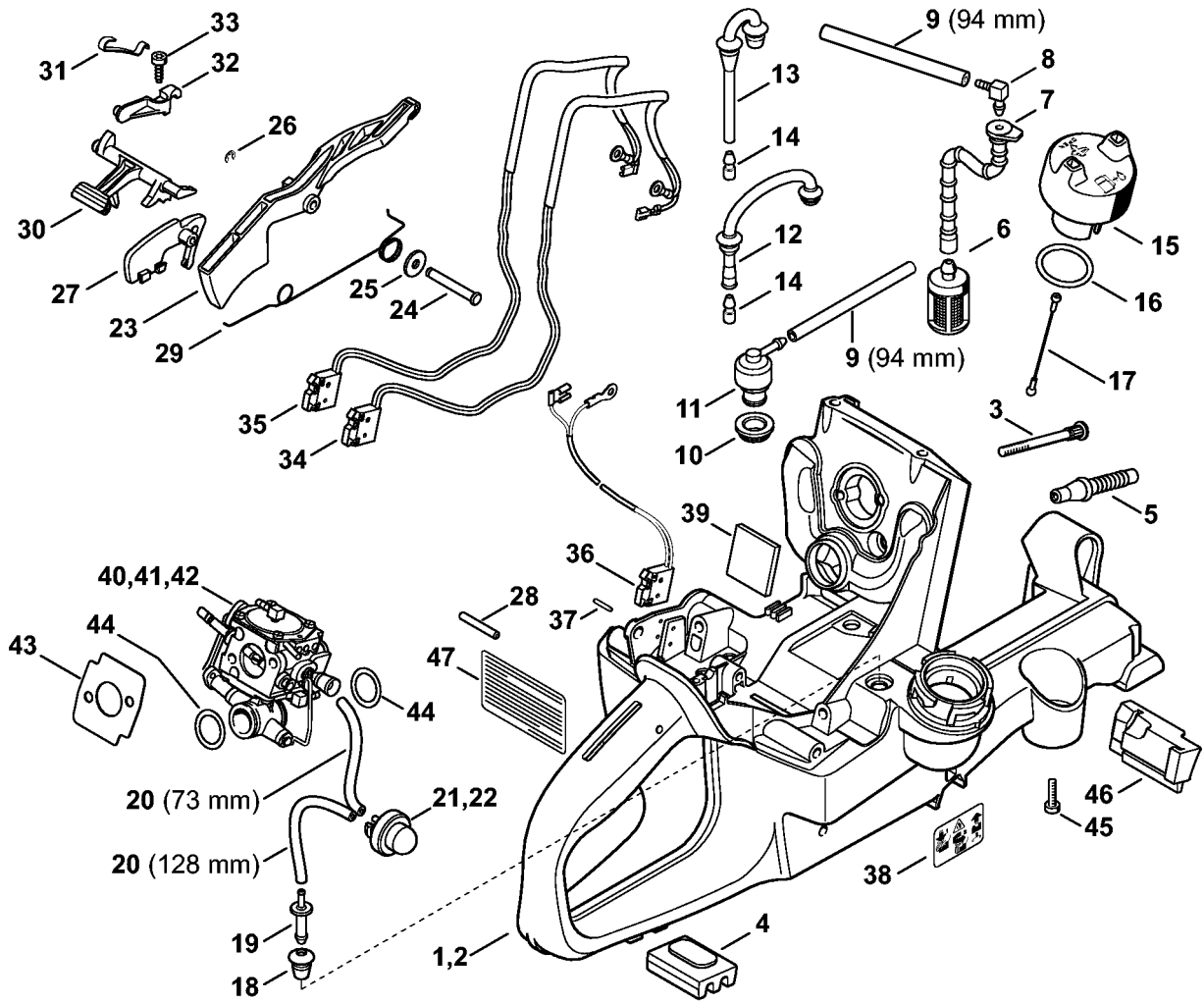


378ET041 SC

# Rewind starter

#	Part Number	Description	Quantity	Contains Item(s)	Remarks
	4224 190 0306	Starter cover with rewind starter	1	1 - 4, 6 - 15	
<b>1</b>	4224 190 0412	Starter cover	1	2 - 4, 15	
<b>2</b>	9443 825 7130	Hollow rivet 7.5x1x6.8	3		
<b>3</b>	1110 084 9102	Bushing	1		
<b>4</b>		Hose 5.6x1.9x614 mm	1		
	0000 937 4049	Hose 5.6x1.9 mm x 1 m	1		
<b>5</b>		Hose 6x1.5x580 mm / 22 13/16"	1		
	0000 937 4035	Hose 6x1.5 mm x 1 m	1		
<b>6</b>	4238 195 9000	Washer	1		
<b>7</b>	4224 190 0600	Rewind spring	1		
<b>8</b>	9104 003 0410	Self-tapping screw P3x6	2		
<b>9</b>	4224 190 1001	Rope rotor	1		
<b>10</b>	0000 190 3414	Starter grip ElastoStart Ø 4.5 mm	1	11	
<b>11</b>	0000 190 2901	Starter rope Ø 4.5 mm	1		
	0000 930 2295	Starter rope Ø 4.5mm / 28 pieces	1		
<b>12</b>	4221 195 7200	Pawl	2		
<b>13</b>	1119 162 8925	Washer Ø 12 mm	1		
<b>14</b>	4224 195 3501	Spring	1		
<b>15</b>	4224 967 1500	Model plate TS 700	1		
<b>16</b>	9022 371 1020	Spline screw IS-M5x20	3		

# Tank housing



4224-GET-0005-A0

# Tank housing

#	Part Number	Description	Quantity	Contains Item(s)	Remarks
1	4224 350 0817	Tank housing	1	3 - 12, 14 - 20, 23 - 34, 37, 38	
2	4224 350 0816	Tank housing	1	3 - 12, 14 - 20, 23 - 33, 35, 37, 38	
3	1122 122 6602	Collar screw	2		
4	4221 792 9300	Rubber buffer	1		
5	4223 141 8600	Impulse hose	1		
6	0000 350 3518	Pickup body	1		
7	1124 358 7700	Hose	1		
8	4224 122 3900	Elbow connector	1		
9	0000 937 5004	Hose 3.1x5.7 mm x 1 m, R5	1		
10	4223 353 9201	Grommet	1		
11	4238 350 5800	Tank vent	1		
12	4224 350 5801	Tank vent	1	14	
13	4224 350 5800	Tank vent	1	14	
14	4224 358 8100	Vent insert	1		
15	0000 350 0514	Filler cap	1	16, 17	
16	9645 948 2471	O-ring 23x3	1		
17	0000 350 0905	Rope	1		
18	0000 989 0608	Grommet	1		
19	0000 988 5206	Connector	1		
20	0000 930 2802	Hose 2.2x5.4 mm x 1 m, R1	1		
21	0000 350 6202	Fuel pump	1		
22	1130 350 6200	Fuel pump	1		
23	4224 182 1000	Throttle trigger	1		
24	4224 182 8900	Pin	1		
25	0000 958 0526	Washer	1		
26	9460 624 0320	E-clip 3.2	1		

# Tank housing

#	Part Number	Description	Quantity	Contains Item(s)	Remarks
27	4224 182 0800	Lockout lever	1		
28	9381 003 2180	Cylindrical pin 4x28	1		
29	4224 182 4500	Torsion spring	1		
30	4224 182 0900	Switch shaft	1		
31	4224 182 4700	Flat spring	1		
32	4224 182 4400	Bearing	1		
33	9074 478 3005	Pan head self-tapping screw IS-P4x14	1		
34	4224 430 0503	Switch	1		
35	4224 430 0501	Switch	1		
36	4224 430 0500	Switch	1		
37	9381 651 1200	Cylindrical pin 6x13	2		
38	0000 967 7238	Warning pictogram Filler cap	1		
39	0000 351 1100	Plate	1		
40	4224 120 0651	Carburetor WJ-114C	1	9, 41, 43	
41	4224 120 0601	Carburetor WJ-114C	1		
42	4224 120 0600	Carburetor HS-314A	1		
43	4224 129 0903	Gasket	1		
44	9645 945 7588	O-ring 17x3	2		
45	9022 341 1019	Spline screw IS-M5x20	1		
46	4224 791 5901	Stop buffer	1		
	4224 007 1012	Set of gaskets	1	43, 44	
	4224 007 1019	Set of gaskets	1	43, 44	
	4224 007 1010	Set of gaskets	1	44	

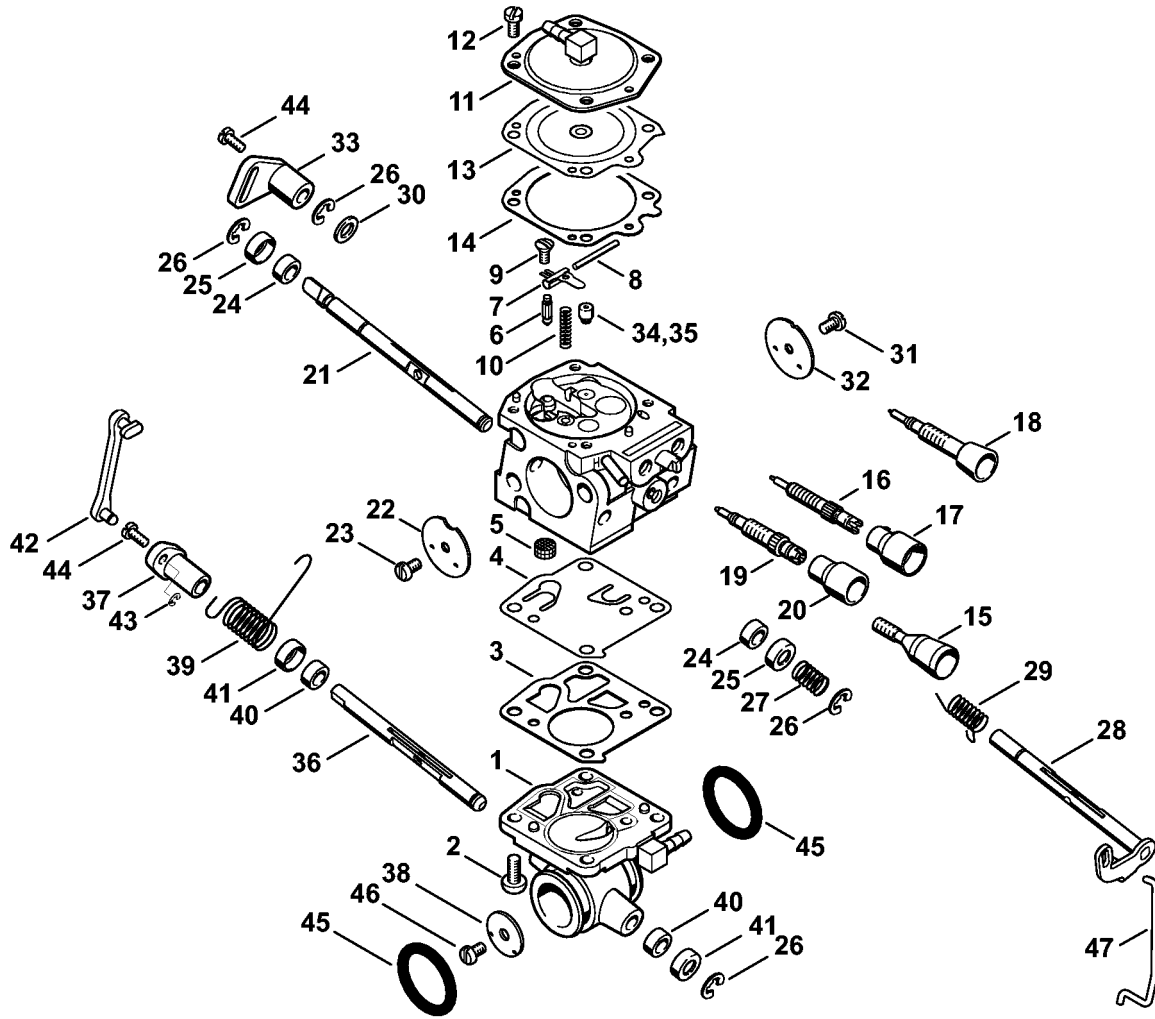




# Ignition system

#	Part Number	Description	Quantity	Contains Item(s)	Remarks
1	4224 400 1201	Flywheel	1		
2	4224 400 1200	Flywheel	1		
3	9211 260 1340	Hexagon nut M10x1	1		
4	4224 400 1302	Ignition module	1	6 - 8, 10, 11	
5	4224 400 1300	Ignition module	1	6 - 8	
6	0000 405 0600	Ignition lead 1 m	1		
7	0000 930 2251	Ignition lead 10 m	1		
8	0000 989 1002	Grommet	1		
9	9022 341 1019	Spline screw IS-M5x20	2		
10	1128 405 1000	Spark plug boot	1		
11	0000 998 0604	Spark plug contact spring	1		
12	9022 313 0630	Spline screw IS-M4x8	1		
13	4224 080 3100	Fan cover	1	14	
14	9443 825 7130	Hollow rivet 7.5x1x6.8	3		
15	9022 371 1020	Spline screw IS-M5x20	4		

# Carburetor WJ-114



378ET050 AM

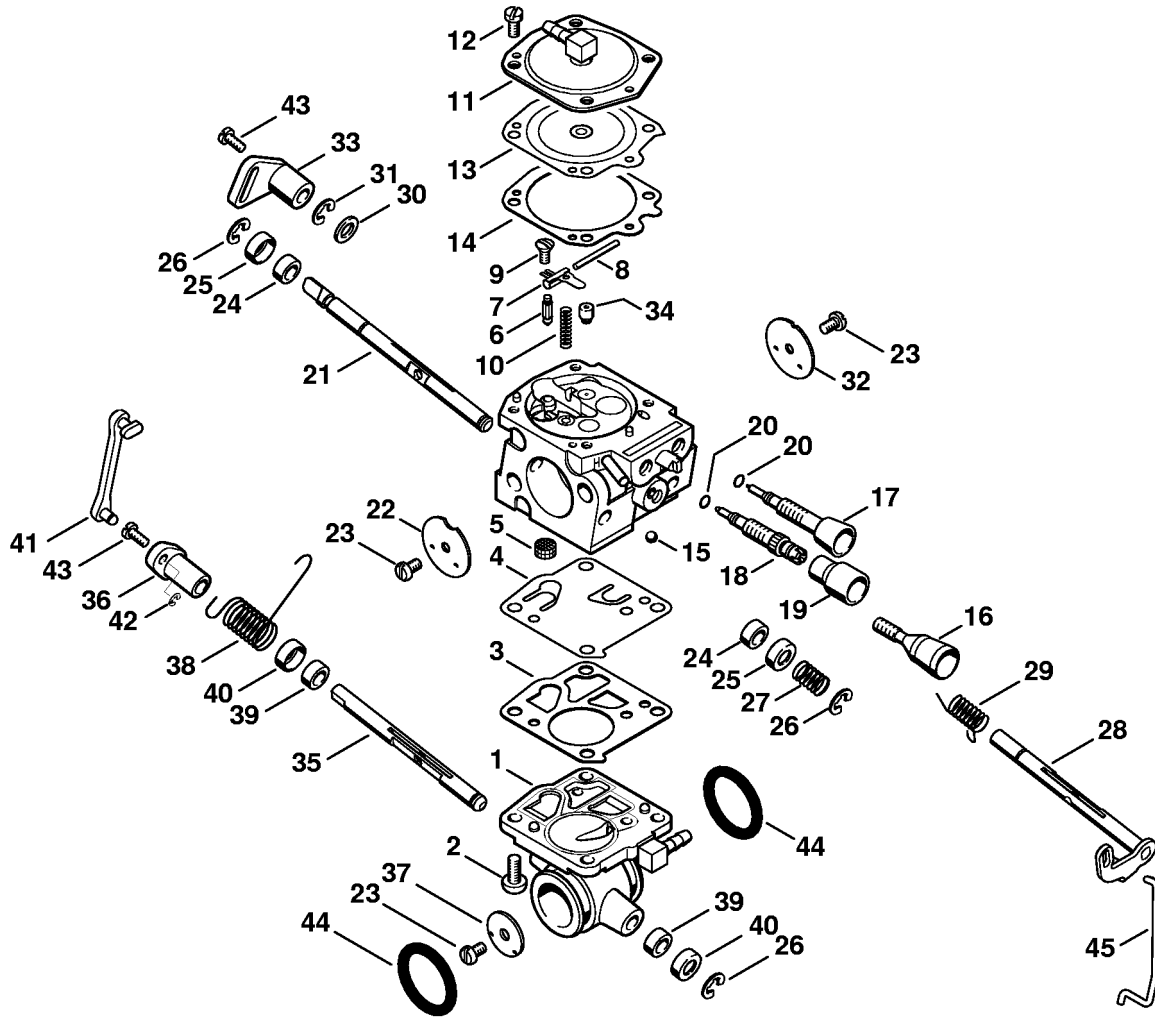
# Carburetor WJ-114

#	Part Number	Description	Quantity	Contains Item(s)	Remarks
	4224 120 0601	Carburetor WJ-114C	1	1 - 17, 19 - 34, 36 - 46	
1	4224 121 0803	End cover	1		
2	1115 122 7100	Round head screw	4		
3	1115 129 1100	Gasket	1		
4	1115 121 4800	Pump diaphragm	1		
5	1114 121 7800	Strainer	1		
6	1110 121 5100	Inlet needle	1		
7	1117 121 5000	Inlet control lever	1		
8	1117 121 9200	Spindle	1		
9	1114 122 7400	Round head screw	1		
10	4224 122 3000	Spring	1		
11	4224 121 0804	End cover	1		
12	1106 122 7400	Round head screw	4		
13	1117 121 4700	Metering diaphragm	1		
14	1116 129 0900	Gasket	1		
15	4224 122 6201	Idle speed screw	1		
16	4224 120 6801	Low speed screw	1	17	
17	Z010 061 Z013	Limiter Cap	1		
18	4224 122 6801	Low speed screw	1		
19	4224 122 6703	High speed screw	1		
20	4224 121 2701	Cap	1		
21	4224 121 3001	Choke shaft	1		
22	4224 121 2901	Choke shutter	1		
23	1121 122 7102	Round head screw	1		
24	4224 122 3602	Sealing ring	2		
25	4223 121 9400	Ring	2		

# Carburetor WJ-114

#	Part Number	Description	Quantity	Contains Item(s)	Remarks
26	1117 122 9000	E-clip	4		
27	4223 122 3001	Spring	1		
28	4224 120 7103	Throttle shaft with lever	1		
29	4224 122 3203	Torsion spring	1		
30	1115 121 8600	Washer	1		
31	1115 122 7400	Round head screw	1		
32	4224 121 3301	Throttle shutter	1		
33	4224 121 6604	Lever	1		
34	1122 121 5606	Fixed jet 0.65	1		
35	1128 121 5605	Fixed jet 0.66	1		
36	4224 126 0201	Air valve shaft	1		
37	4224 121 6603	Lever	1		
38	4224 126 0301	Air valve	1		
39	4224 122 3202	Torsion spring	1		
40	4224 122 3602	Sealing ring	2		
41	4224 121 9400	Ring	2		
42	4224 124 2101	Rod	1		
43	4224 122 9004	E-clip	1		
44	4224 122 7100	Screw	2		
45	9645 945 7588	O-ring 17x3	2		
46	4224 122 7801	Oval head screw	1		
47	4224 182 1500	Throttle rod	1		
	1122 007 1060	Set of carburetor parts	1	3, 4, 13, 14	

# Carburetor HS-314 (43.2007), (21.2011)



376ET1010 SC

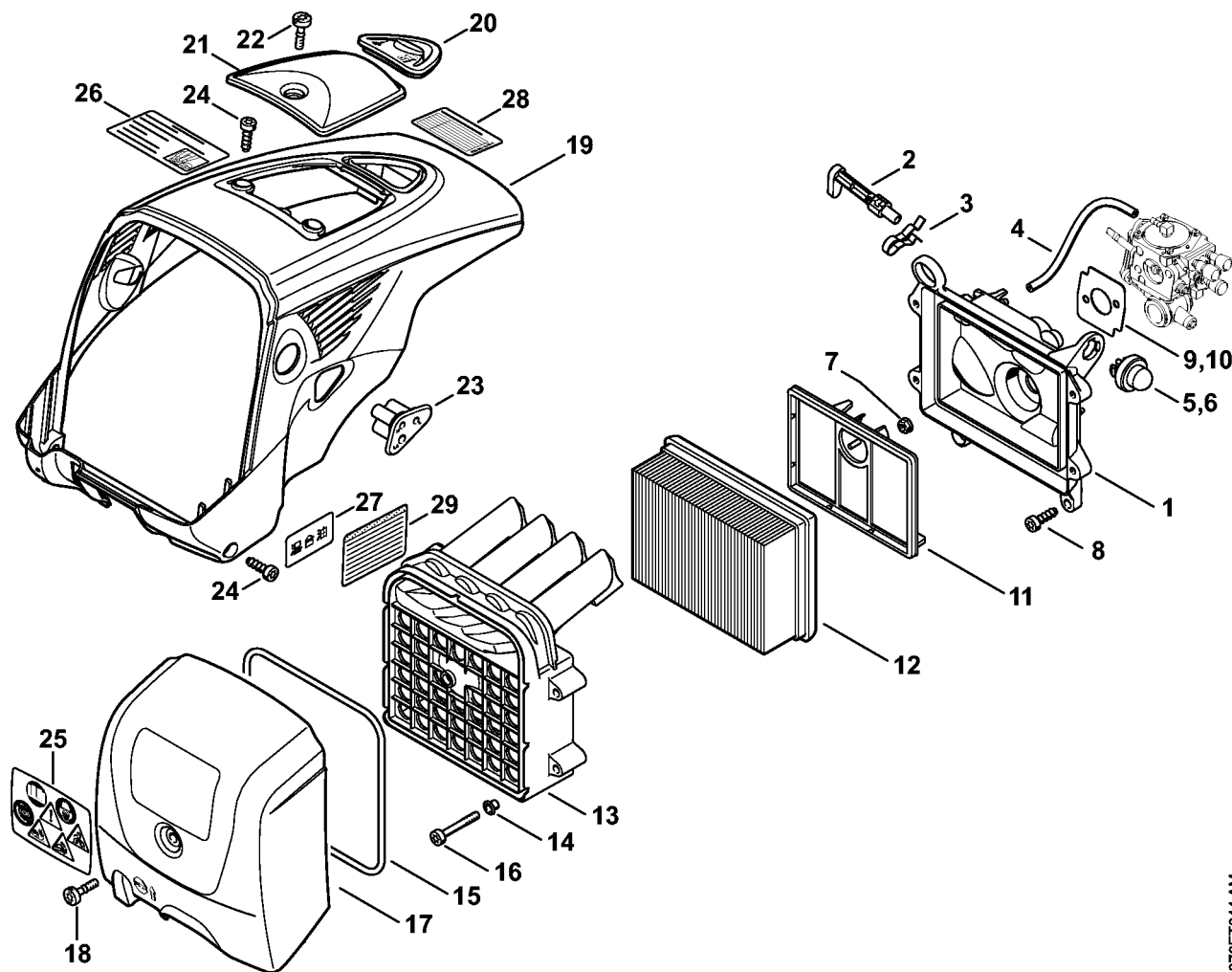
# Carburetor HS-314 (43.2007), (21.2011)

#	Part Number	Description	Quantity	Contains Item(s)	Remarks
	4224 120 0600	Carburetor HS-314A	1	1 - 44	
1	4224 121 0800	End cover	1		
2	1115 122 7100	Round head screw	4		
3	1110 129 1110	Gasket	1		
4	1124 121 4800	Pump diaphragm	1		
5	4221 121 7800	Strainer	1		
6	4116 121 5100	Inlet needle	1		
7	1124 121 5000	Inlet control lever	1		
8	1110 121 9200	Spindle	1		
9	1110 122 7801	Oval head screw	1		
10	1124 122 3000	Spring	1		
11	4224 121 0802	End cover	1		
12	1106 122 7400	Round head screw	4		
13	1110 121 4700	Metering diaphragm	1		
14	1110 129 0900	Gasket	1		
15	4221 122 4200	Ball	1		
16	4224 122 6200	Idle speed screw	1		
17	4224 122 6800	Low speed screw	1	20	
18	4224 122 6700	High speed screw	1	20	
19	4229 121 2700	Cap	1		
20		Sealing ring	1		
21	4224 121 3000	Choke shaft	1		
22	4224 121 2900	Choke shutter	1		
23	1110 122 7400	Round head screw	3		
24	4221 122 3605	Sealing ring	2		
25	4221 121 9400	Ring	2		
26	1110 122 9005	E-clip	3		

# Carburetor HS-314 (43.2007), (21.2011)

#	Part Number	Description	Quantity	Contains Item(s)	Remarks
27	4223 122 3000	Spring	1		
28	4224 120 7102	Throttle shaft with lever	1		
29	4224 122 3200	Torsion spring	1		
30	4221 121 8600	Washer	1		
31	1110 122 9005	E-clip	1		
32	4224 121 3300	Throttle shutter	1		
33	4224 121 6601	Lever	1		
34	4224 126 0100	Semi-fixed jet	1		
35	4224 126 0200	Air valve shaft	1		
36	4224 121 6602	Lever	1		
37	4224 126 0300	Air valve	1		
38	4224 122 3201	Torsion spring	1		
39	4221 122 3605	Sealing ring	2		
40	4221 121 9400	Ring	2		
41	4224 124 2100	Rod	1		
42	4224 122 9000	E-clip	1		
43	4221 122 7100	Screw	2		
44	9645 945 7588	O-ring 17x3	2		
45	4224 182 1500	Throttle rod	1		
	4224 007 1008	Set of carburetor parts	1	3, 4, 13, 14, 44	

# Air filter, Shroud



376ET044 AM



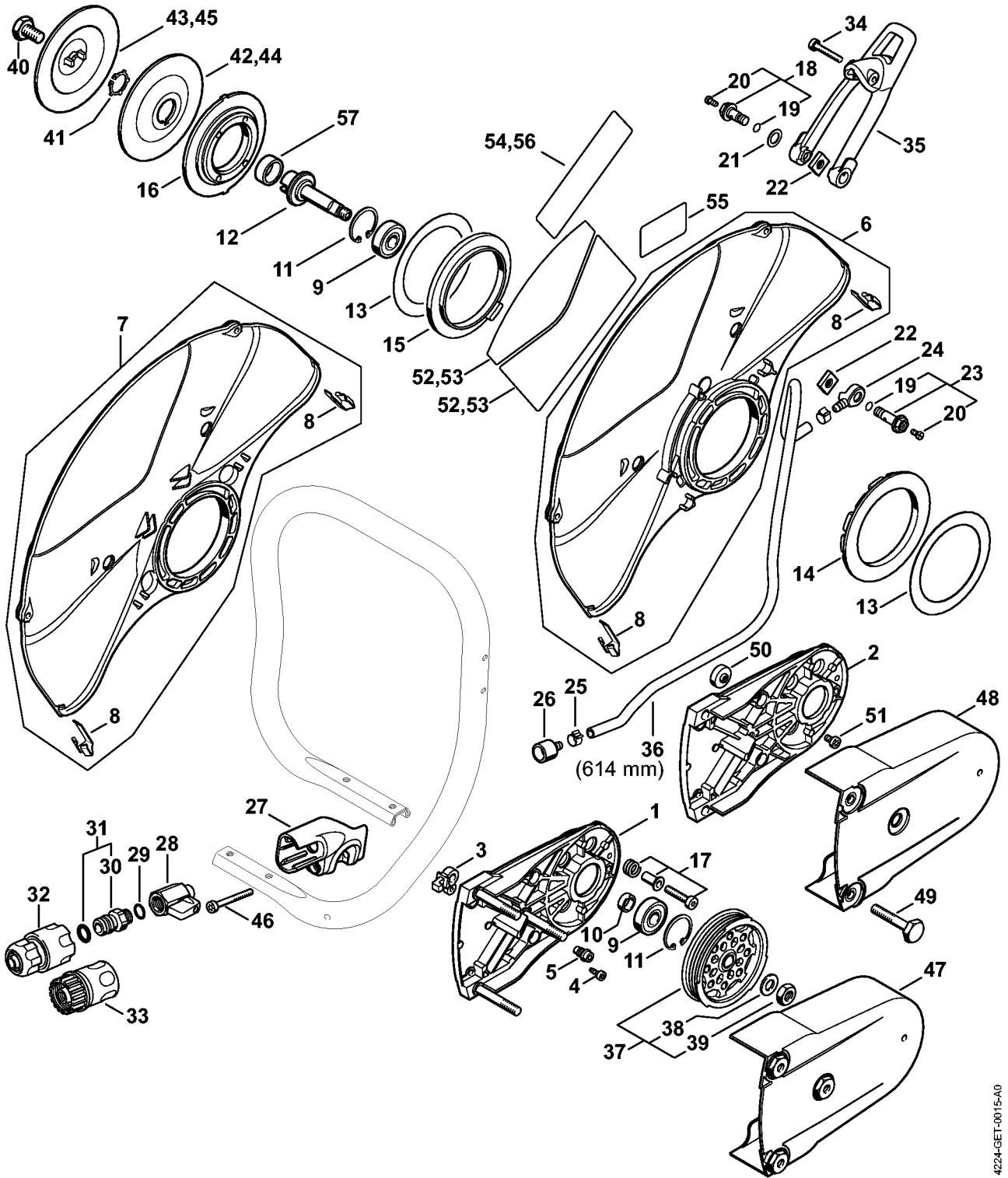
# Air filter, Shroud

#	Part Number	Description	Quantity	Contains Item(s)	Remarks
1	4224 140 1204	Filter base	1	5	
2	4224 121 6100	Choke lever	1		
3	4238 121 2400	Flat spring	1		
4		Hose 3.1x5.7x48 mm, R3	1		
	0000 930 2803	Hose 3.1x5.7 mm x 1 m, R3	1		
5	0000 350 6202	Fuel pump	1		
6	1130 350 6200	Fuel pump	1		
7	9216 261 0700	Hexagon nut M5	2		
8	9074 478 4435	Pan head self-tapping screw IS-P6x19	2		
9	4224 129 0903	Gasket	1		
10	4224 129 0900	Gasket	1		
	4224 007 1013	Air filter kit	1	11, 12, 15	USA
11	4224 140 1801	Auxiliary filter	1		
12	4224 141 0300	Air filter	1		
13	4224 140 2800	Filter housing	1	14, 15	
14	9416 868 6630	Hollow rivet 6.5x0.5x6.8	4		
15	4224 149 0500	Gasket	1		
16	9022 341 1081	Spline screw IS-M5x35x12	4		
17	4224 140 1000	Filter cover	1	18, 25	
18	9022 319 1027	Screw IS-M5x21	1		
19	4224 080 1600	Shroud	1		
20	4224 084 7400	Grommet	1		
21	4224 080 2200	Cap	1	22	
22	9022 319 1027	Screw IS-M5x21	1		
23	4224 123 7500	Grommet	1		
24	9074 478 4435	Pan head self-tapping screw IS-P6x19	4		
25	0000 967 3759	Warning pictogram TS	1		

# Air filter, Shroud

#	Part Number	Description	Quantity	Contains Item(s)	Remarks
<b>28</b>	4238 967 3703	Instruction label	1		J
	4224 007 1012	Set of gaskets	1	9	
	4224 007 1010	Set of gaskets	1	10	
	4224 007 1019	Set of gaskets	1	9	

# Support with guard with water attachment



4224-GET-0015-A0

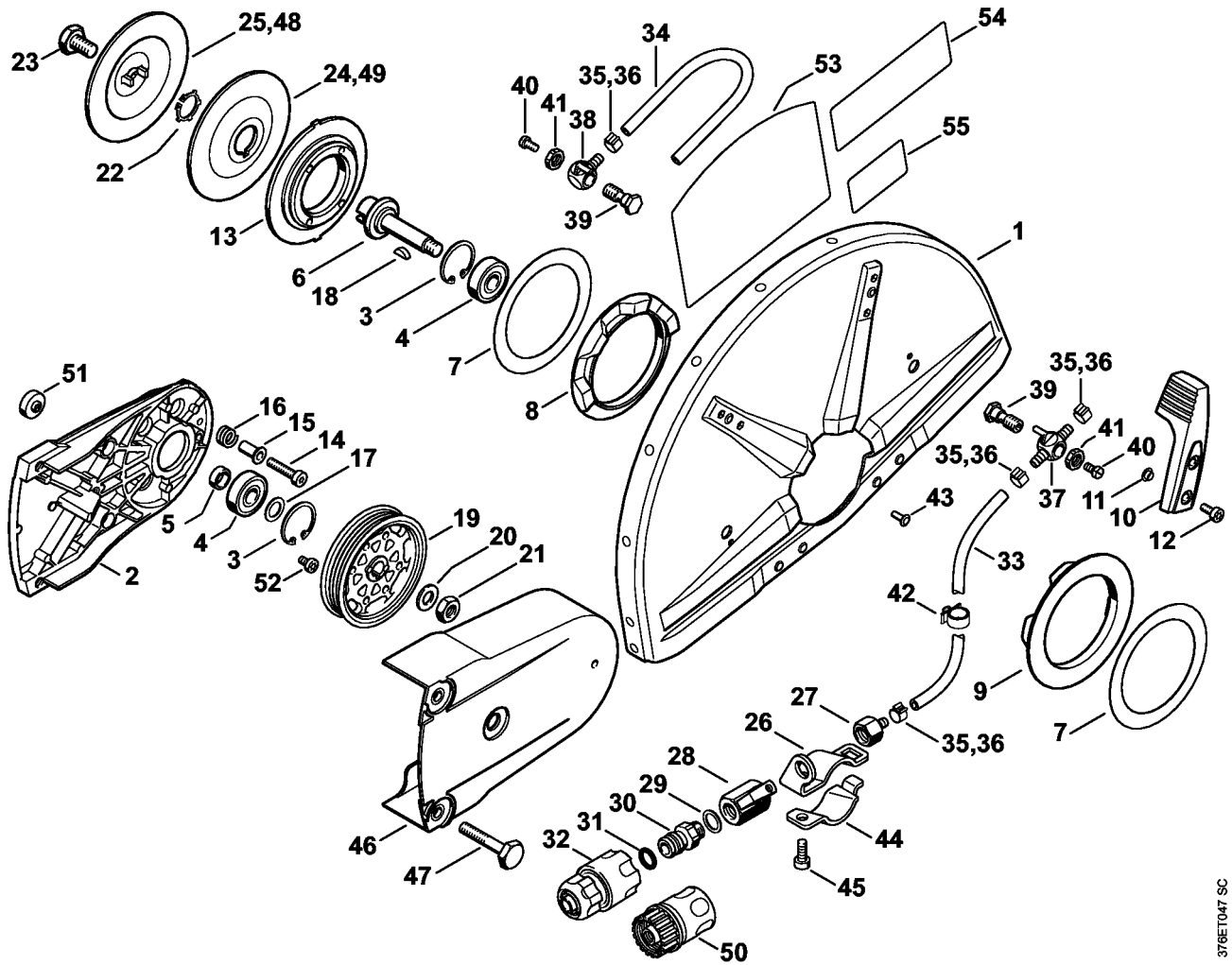
# Support with guard with water attachment

#	Part Number	Description	Quantity	Contains Item(s)	Remarks
1	4224 790 5301	Support	1		
2	4224 791 3903	Support	1		
3	4224 691 0200	Limit stop	1		
4	9074 478 2967	Pan head self-tapping screw IS-P4x10	1		
5	4224 691 0100	Stop pin	1		
6	4224 700 8108	Guard Ø 350 mm / 14"	1	8	
7	4224 700 8102	Guard Ø 350 mm / 14"	1	8	
8	4238 706 0400	Stiffener	2		
9	9503 003 6440	Grooved ball bearing 6201-2RS	2		
10	0000 961 1206	Ring	1		
11	9456 621 3600	Circlip 32x1.2	2		
12	4224 704 0502	Shaft	1		
13	4201 706 9202	Washer	2		
14	4224 706 8802	Rubber ring	1		
15	4224 706 8801	Rubber ring	1		
16	4205 706 2903	Flange	1		
17	4224 710 9501	Adjusting screw	1		4 pieces
18	0000 670 0207	Banjo bolt	1	19, 20	
19	9645 948 0340	O-ring 6x1.5	1		
20	9041 216 0630	Pan head screw M4x8	2		
21	0000 679 2000	Gasket	1		
22	4224 708 8300	Square nut	2		
23	0000 670 0206	Banjo bolt	1	19, 20	
24	4238 677 8202	Connector	1		
25	9771 021 0921	Hose clip 10/7	2		
26	4238 677 8200	Connector	1		
27	4224 700 6801	Bracket	1		

# Support with guard with water attachment

#	Part Number	Description	Quantity	Contains Item(s)	Remarks
28	4201 700 4500	Shut-off cock 1/4"	1		
29	0000 954 1701	Sealing ring	1		
30	4201 700 7300	Hose connector	1	31	
31	9645 945 7506	O-ring 10x3	1		
32	4201 670 1700	Coupling sleeve 1/2"	1		
34	9022 341 1070	Spline screw IS-M5x30	1		
35	4224 700 2901	Adjusting lever	1		
36	0000 937 4049	Hose 5.6x1.9 mm x 1 m	1		
37	4224 760 8503	Belt pulley	1	38, 39	
38	9291 021 0200	Washer 10.5	1		
39	9211 260 1350	Hexagon nut M10x1 l/h thread	1		High strength threadlocking adhesive
40	4201 708 8402	Hexagon head screw M10x18	1		
41	9450 721 2150	E-clip 20x1.2	1		
42	4201 708 3004	Thrust washer Ø 103 mm	1		
43	4201 708 3014	Thrust washer Ø 103 mm	1		
44	4205 708 3000	Thrust washer Ø 118 mm	1		AUS, J
45	4205 708 3010	Thrust washer Ø 118 mm	1		AUS, J
46	9022 341 1220	Spline screw IS-M5x48	1		
47	4224 700 8113	Guard	1		
48	4224 700 8100	Guard	1		
49	4224 708 8400	Screw	3		
50	4224 790 9300	Rubber buffer	1		USA, CDN
51	9022 341 0910	Spline screw IS-M5x6	1		USA, CDN
54	0000 967 3903	Instruction label	1		CDN
56	0000 967 7226	Warning pictogram	1		Europe
57	0000 708 4200	Shaft sleeve	1		

# Support with guard with water attachment (43.2007)



378ET047 SC

# Support with guard with water attachment (43.2007)

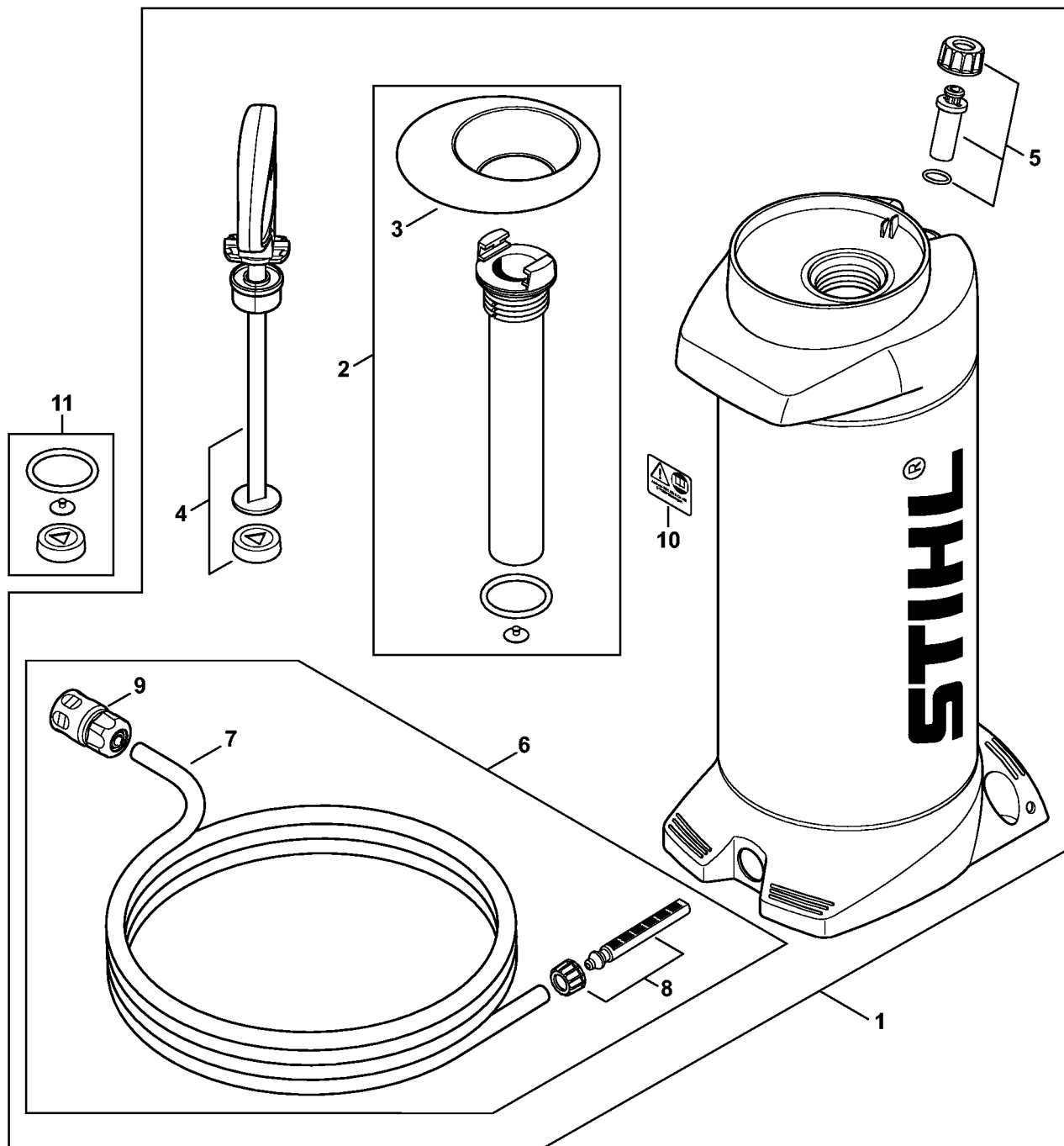
#	Part Number	Description	Quantity	Contains Item(s)	Remarks
	4224 690 0102	Support with guard Ø 350 mm / 14"	1	1 - 35, 37 - 43	
	4224 690 0101	Support with guard Ø 350 mm / 14"	1	1 - 23, 26 - 35, 37 - 43, 48, 49	AUS, J
1	4224 700 8103	Guard Ø 350 mm / 14"	1		
2	4224 791 3903	Support	1		
3	9456 621 3600	Circlip 32x1.2	2		
4	9503 003 6440	Grooved ball bearing 6201-2RS	2		
5	0000 961 1206	Ring	1		
6	4201 704 0504	Shaft	1		
7	4201 706 9202	Washer	2		
8	4221 706 8800	Rubber ring	1		
9	4221 706 8801	Rubber ring	1		
10	4224 700 2900	Adjusting lever	1	11	
11	9416 868 6510	Hollow rivet 6.5x0.5x3.0	2		
12	9022 341 0960	Spline screw IS-M5x12	2		
13	4205 706 2903	Flange	1		
14	9022 341 1358	Spline screw IS-M6x28	4		
15	4224 704 3200	Sleeve	4		
16	0000 997 1303	Compression spring	4		
17	0000 958 1212	Washer	1		
18	4223 036 8600	Woodruff key	1		
19	4224 764 8501	Poly V-belt pulley	1		
20	9291 021 0200	Washer 10.5	1		
21	9211 260 1350	Hexagon nut M10x1 l/h thread	1		
22	9450 721 2150	E-clip 20x1.2	1		
23	4201 708 8402	Hexagon head screw M10x18	1		
24	4201 708 3004	Thrust washer Ø 103 mm	1		

# Support with guard with water attachment (43.2007)

#	Part Number	Description	Quantity	Contains Item(s)	Remarks
25	4201 708 3014	Thrust washer Ø 103 mm	1		
26	4224 700 6800	Bracket	1		
27	4238 677 8200	Connector	1		
28	4201 700 4500	Shut-off cock 1/4"	1		
29	0000 954 1701	Sealing ring	1		
30	4201 700 7300	Hose connector	1	31	
31	9645 945 7506	O-ring 10x3	1		
32	4201 670 1700	Coupling sleeve 1/2"	1		
33		Hose 5.6x1.9x614 mm	1		
34		Hose 5.6x1.9x220 mm / 8 11/16"	1		
	0000 937 4049	Hose 5.6x1.9 mm x 1 m	1		
35	9771 021 0921	Hose clip 10/7	4		
36	9771 021 0920	Hose clip 9.5/7	4		
37	4224 677 8201	Connector	1		
38	4224 677 8202	Connector	1		
39	4201 708 8400	Banjo bolt	2		
40	9041 216 0950	Pan head screw M5x10	2		
41	9211 021 8900	Hexagon nut G 1/8"	2		
42	4119 791 9400	Cable clamp	1		
43	0000 706 4600	Plug	2		
44	4224 708 9100	Bow	1		
45	9022 341 1280	Spline screw IS-M6x16	1		
46	4224 700 8100	Guard	1		
47	4224 708 8400	Screw	3		
48	4205 708 3010	Thrust washer Ø 118 mm	1		AUS, J
49	4205 708 3000	Thrust washer Ø 118 mm	1		AUS, J
55	4224 967 3701	Instruction label	1		J



# Pressurized water tank

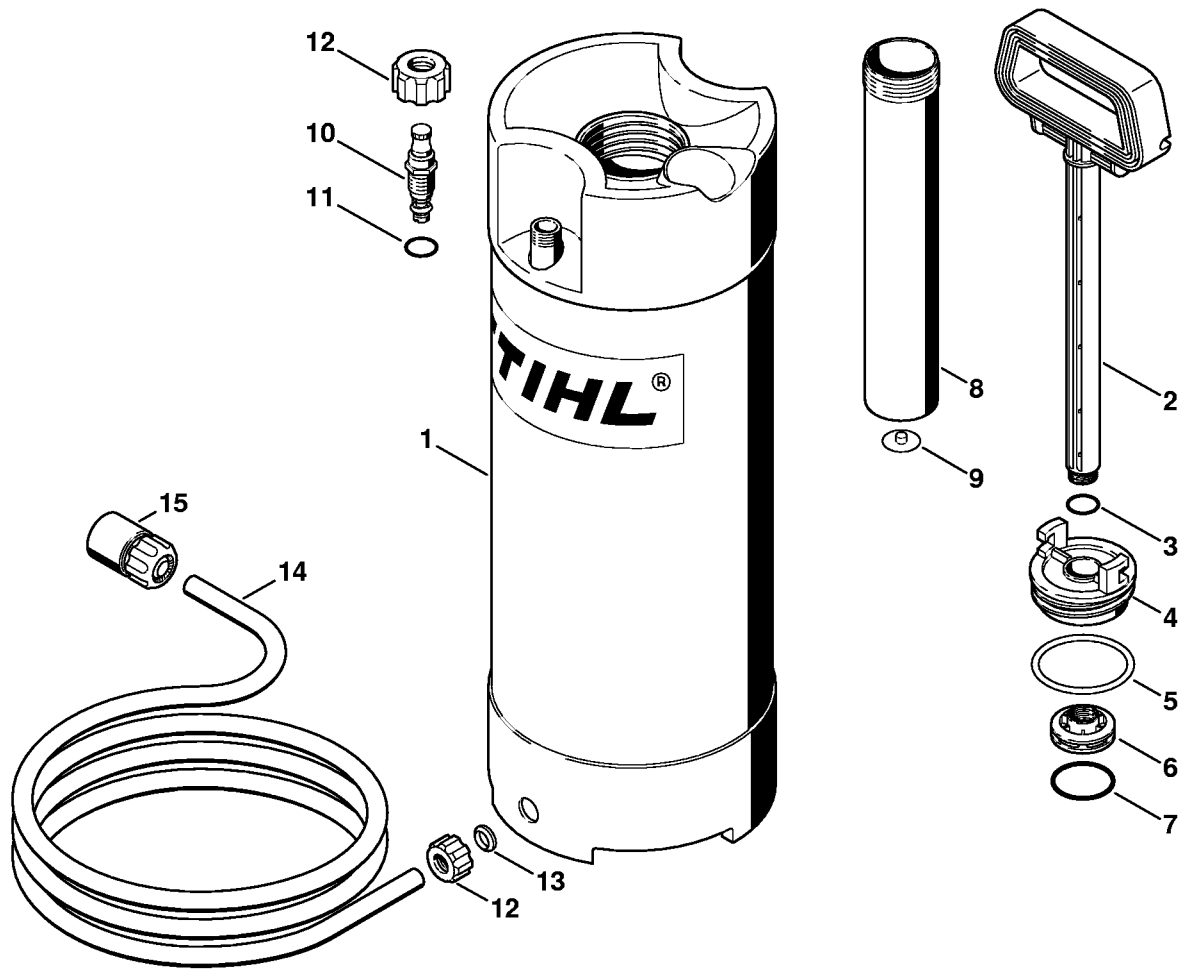


4238-GET-0045-A1

# Pressurized water tank

#	Part Number	Description	Quantity	Contains Item(s)	Remarks
1	0000 670 6000	Water tank	1	2 - 10	
2	0000 670 6600	Pump barrel	1	3	
3	0000 676 0500	Funnel	1		
4	0000 670 7702	Handle	1		
5	0000 670 5000	Valve	1		
6	0000 670 0301	Hose	1	7 - 9	
7	4309 678 1100	Hose 4 m / 158"	1		
8	0000 670 0401	Strainer	1		
9	4201 670 1700	Coupling sleeve 1/2"	1		
10	0000 967 7304	Warning pictogram	1		
11	0000 007 1601	Set of gaskets	1		

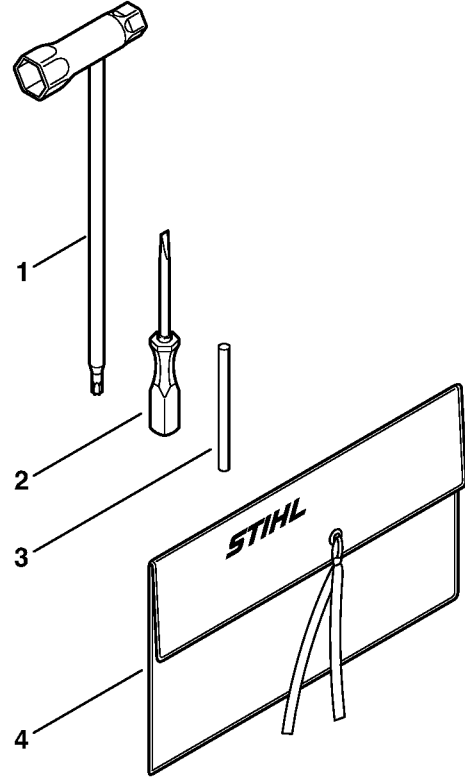
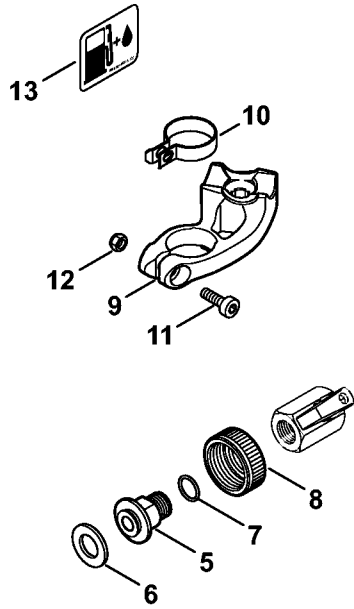
# Pressurized water tank (28.2010)



337ET021 GM

## Pressurized water tank (28.2010)

#	Part Number	Description	Quantity	Contains Item(s)	Remarks
	4223 670 6000	Water tank	1	1 - 14	
	4223 670 6001	Water tank	1	1 - 15	USA
<b>1</b>	4223 670 6010	Water tank	1	12, 13	
<b>2</b>	4223 670 7700	Handle	1	3	
<b>3</b>	9645 945 7560	O-ring 14x1.78	1		
<b>4</b>	4223 670 8600	Filler cap	1	5	
<b>5</b>	9645 945 8240	O-ring 56.5x 5.33	1		
<b>6</b>	4223 670 8200	Piston	1	7	
<b>7</b>	9645 945 7958	O-ring 37.5x3.15	1		
<b>8</b>	4223 670 6600	Pump barrel	1	9	
<b>9</b>	4223 678 2600	Valve	1		
<b>10</b>	4223 670 5000	Valve	1	11	
<b>11</b>	9645 945 7494	O-ring 8.76x1.78	1		
<b>12</b>	4223 677 8300	Union nut	2		
<b>13</b>	4223 678 1600	Insert	1		
<b>14</b>	4309 678 1100	Hose 4 m / 158"	1		
<b>15</b>	4201 670 1700	Coupling sleeve 1/2"	1		

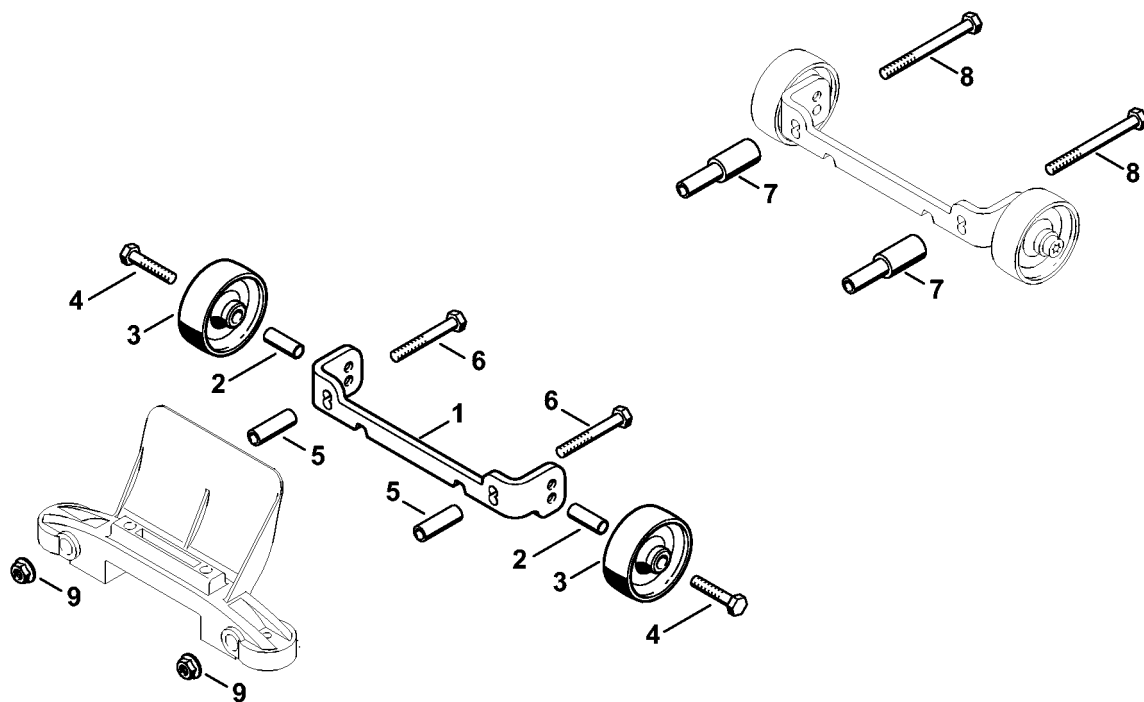


370ET017 GM

# Tools, Extras

#	Part Number	Description	Quantity	Contains Item(s)	Remarks
1	4224 890 3400	Combination wrench	1		
2	5910 890 2305	Screwdriver	1		
3	4130 893 7800	Locking pin	1		
4	0000 891 0810	Tool roll	1		
	4238 670 3603	Water connection TS	1	5 - 13	USA
5	4238 700 7301	Hose connector	1	6, 7	USA
6	0000 679 2001	Gasket	1		USA
7	9646 945 1050	O-ring 11x1.5	1		USA
8	4238 708 3100	Union nut	1		USA
9	4238 792 2501	Support	1		USA
10	4238 791 9400	Hose clamp	1		USA
11	9022 341 0980	Spline screw IS-M5x16	1		USA
12	9214 320 0700	Lock nut M5	1		USA
13	0000 967 4022	Instruction label	1		USA

# Wheel kit



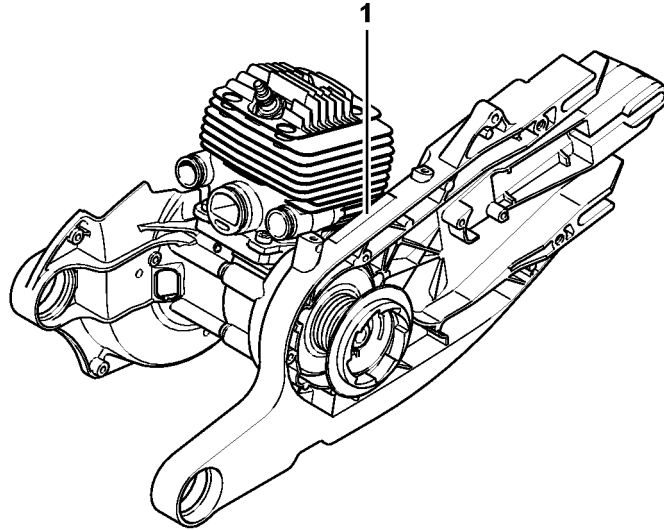
4224-GET-0017-A0

# Wheel kit

#	Part Number	Description	Quantity	Contains Item(s)	Remarks
	4224 007 1014	Wheel mounting kit	1	1 - 9	
<b>1</b>		Carrier	1		
<b>2</b>	4223 791 7200	Sleeve	2		
<b>3</b>	4223 791 3600	Wheel	2		
<b>4</b>	9007 319 1370	Hexagon head screw M6x30	2		
<b>5</b>	4224 791 7204	Sleeve	2		
<b>6</b>	9007 319 1420	Hexagon head screw M6x45	2		
<b>7</b>	4224 791 7205	Sleeve	2		
<b>8</b>	9007 319 1460	Hexagon head screw M6x65	2		
<b>9</b>	9220 260 0900	Hexagon nut M6	2		



# Serial number

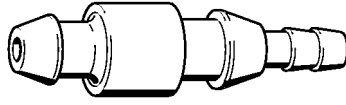


378ET051 SC

# Serial number

#	Part Number	Description	Quantity	Contains Item(s)	Remarks
1		Position of serial number	1		

# Nipple



901SW008 GM

# Nipple

#	Part Number	Description	Quantity	Contains Item(s)	Remarks
	0000 855 9200	Nipple	1		

# Installing tool

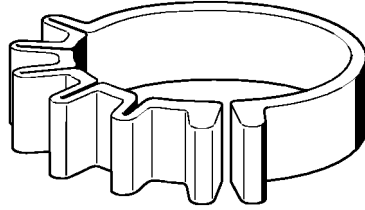


901SW009 GM

# Installing tool

#	Part Number	Description	Quantity	Contains Item(s)	Remarks
	0000 890 2201	Installing tool	1		
	9210 319 0900	Hexagon nut M6	1		

# Clamping strap



901SW011 GM

# Clamping strap

#	Part Number	Description	Quantity	Contains Item(s)	Remarks
	0000 893 2600	Clamping strap	1		



# Puller

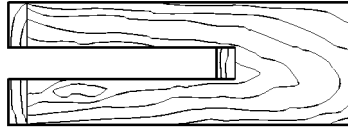


901SW017 GM

# Puller

#	Part Number	Description	Quantity	Contains Item(s)	Remarks
	1106 890 4501	Puller	1		
	0000 951 0920	Hexagon head screw M10x55	1		
	1107 894 1000	Thrust piece	1		

# Wooden assembly block



901SW022 GM

# Wooden assembly block

#	Part Number	Description	Quantity	Contains Item(s)	Remarks
	1108 893 4800	Wooden assembly block	1		

# Sealing plate



901 SW078 GM

# Sealing plate

#	Part Number	Description	Quantity	Contains Item(s)	Remarks
	0000 855 8106	Sealing plate	1		

# Hose 135 mm / 5 5/16"



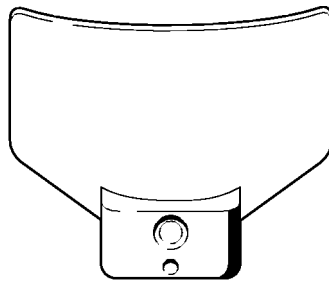
901SW100 GM

# Hose 135 mm / 5 5/16"

#	Part Number	Description	Quantity	Contains Item(s)	Remarks
	1110 141 8600	Hose 135 mm / 5 5/16"	1		



# Setting gauge

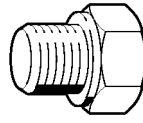


901SW107 GM

# Setting gauge

#	Part Number	Description	Quantity	Contains Item(s)	Remarks
	1111 890 6400	Setting gauge	1		

# Plug

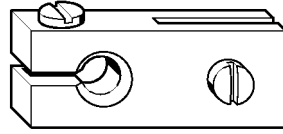


901SW179 GM

# Plug

#	Part Number	Description	Quantity	Contains Item(s)	Remarks
	4221 025 2200	Plug	1		

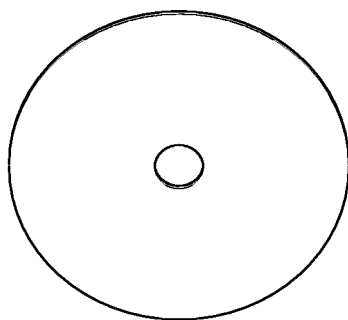
# Dial gauge holder



901SW189 GM

# Dial gauge holder

#	Part Number	Description	Quantity	Contains Item(s)	Remarks
	5910 850 6001	Dial gauge holder	1		



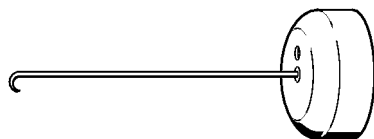
901 SW190 GM

# Test disk

#	Part Number	Description	Quantity	Contains Item(s)	Remarks
	5910 851 6100	Test disk	1		



# Assembly hook

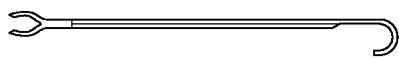


901SW205 GM

# Assembly hook

#	Part Number	Description	Quantity	Contains Item(s)	Remarks
	5910 890 2800	Assembly hook	1		

# Assembly hook

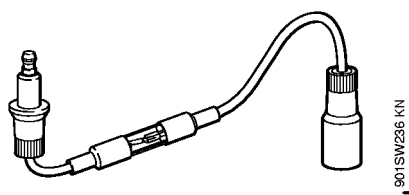


901SW221 GM

# Assembly hook

#	Part Number	Description	Quantity	Contains Item(s)	Remarks
	5910 893 8800	Assembly hook	1		

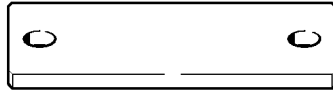
# Ignition system tester, ZAT 4



# Ignition system tester, ZAT 4

#	Part Number	Description	Quantity	Contains Item(s)	Remarks
	5910 850 4503	Ignition system tester, ZAT 4	1		

# Flange



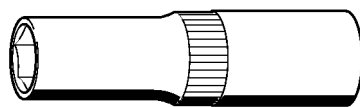
90151W260 KN

# Flange

#	Part Number	Description	Quantity	Contains Item(s)	Remarks
	4224 893 2501	Flange	1		



# Socket, 13 mm, long reach

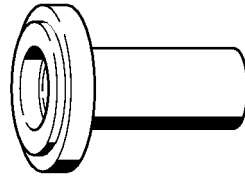


901SW265 KN

# Socket, 13 mm, long reach

#	Part Number	Description	Quantity	Contains Item(s)	Remarks
	5910 893 2804	Socket, 13 mm, long reach	1		

# Press sleeve

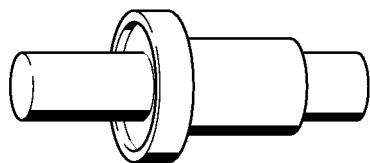


9015W286 KN

# Press sleeve

#	Part Number	Description	Quantity	Contains Item(s)	Remarks
	4224 893 2401	Press sleeve	1		

# Press arbor

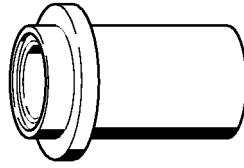


901SW267 KN

# Press arbor

#	Part Number	Description	Quantity	Contains Item(s)	Remarks
	4224 893 7200	Press arbor	1		

# Press sleeve



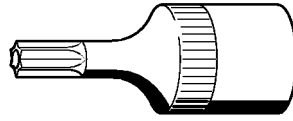
9015W268 KN

# Press sleeve

#	Part Number	Description	Quantity	Contains Item(s)	Remarks
	4224 893 2400	Press sleeve	1		



# Socket, T20



9015WZ70 KN

# Socket, T20

#	Part Number	Description	Quantity	Contains Item(s)	Remarks
	5910 893 2803	Driver bit, 1/4" square drive, T20	1		

# Locking strip

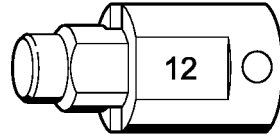


5910-GET-0125-A0

# Locking strip

#	Part Number	Description	Quantity	Contains Item(s)	Remarks
1	0000 893 5903	Locking strip	1		

# Sleeve

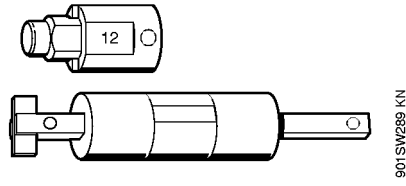


9015W283 KN

# Sleeve

#	Part Number	Description	Quantity	Contains Item(s)	Remarks
	5910 893 1706	Sleeve	1		

# Installing tool, 12

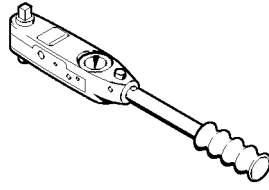


# Installing tool, 12

#	Part Number	Description	Quantity	Contains Item(s)	Remarks
	5910 890 2212	Installing tool, 12	1		
	5910 893 1706	Sleeve	1		



# Torque wrench with optical/acoustic signal

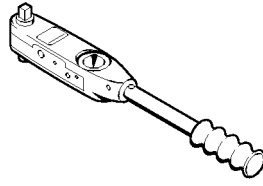


901SW290 KN

# Torque wrench with optical/acoustic signal

#	Part Number	Description	Quantity	Contains Item(s)	Remarks
	5910 890 0312	Torque wrench with optical/acoustic signal	1		

# Torque wrench

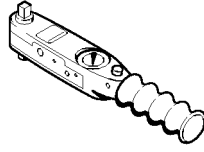


901SW291 KN

# Torque wrench

#	Part Number	Description	Quantity	Contains Item(s)	Remarks
	5910 890 0311	Torque wrench	1		

# Torque wrench with optical/acoustic signal

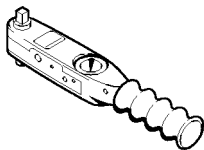


901SW292 KN

# Torque wrench with optical/acoustic signal

#	Part Number	Description	Quantity	Contains Item(s)	Remarks
		Torque wrench	1		

# Torque wrench



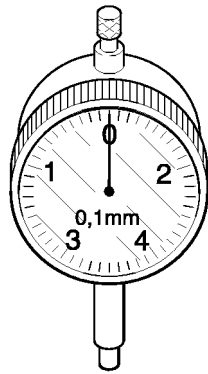
901SW293 KN

# Torque wrench

#	Part Number	Description	Quantity	Contains Item(s)	Remarks
	5910 890 0301	Torque wrench	1		



# Dial gauge

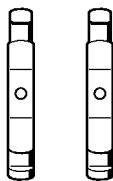


901 SW623 GM

# Dial gauge

#	Part Number	Description	Quantity	Contains Item(s)	Remarks
	0000 890 9100	Dial gauge	1		

# Jaw (profile No. 3.1 and 4)

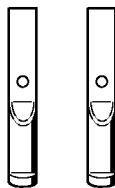


901 SW932 GIM

# Jaw (profile No. 3.1 and 4)

#	Part Number	Description	Quantity	Contains Item(s)	Remarks
	0000 893 3706	Jaw (profile No. 3.1 and 4)	1		

# Jaw (profile No. 6)



901 SW933 CIM

## Jaw (profile No. 6)

#	Part Number	Description	Quantity	Contains Item(s)	Remarks
	0000 893 3711	Jaw (profile No. 6)	1		

# Screw sleeve



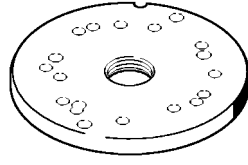
901 SW935 CIM

# Screw sleeve

#	Part Number	Description	Quantity	Contains Item(s)	Remarks
	5910 890 1800	Screw sleeve	1		



# Drilled plate

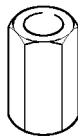


901SW837 GIM

# Drilled plate

#	Part Number	Description	Quantity	Contains Item(s)	Remarks
	5910 893 2102	Drilled plate	1		

# Screw sleeve

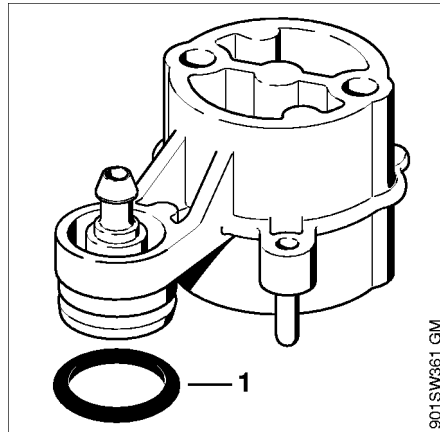


901 SW839 CIM

# Screw sleeve

#	Part Number	Description	Quantity	Contains Item(s)	Remarks
	5910 893 2421	Screw sleeve	1		

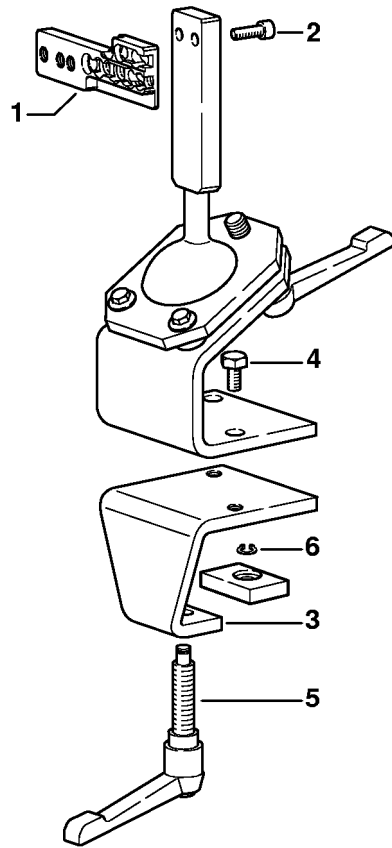
# Flange



# Flange

#	Part Number	Description	Quantity	Contains Item(s)	Remarks
	4224 890 1200	Flange	1	1	
1	9645 945 7574	O-ring 17x3	1		

# Assembly stand



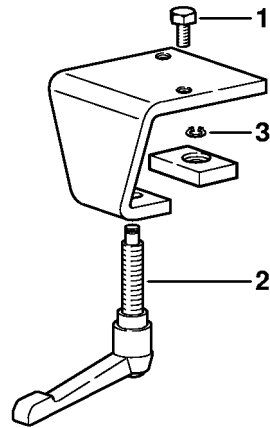
9015W363 SC

# Assembly stand

#	Part Number	Description	Quantity	Contains Item(s)	Remarks
	5910 890 3101	Assembly stand	1	1 - 6	
1	5910 850 1651	Support	1		
2	9045 319 2390	Socket head screw M10x25	2		
3	5910 850 2100	Clamping plate	1	4 - 6	
4	9008 319 2930	Hexagon head screw M12x20	2		
5	5910 890 1901	Clamp lever	1		
6	9455 621 0850	Circlip 10x1	1		



# Clamping plate

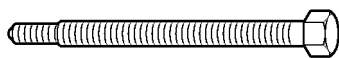


901 SW664 SC

# Clamping plate

#	Part Number	Description	Quantity	Contains Item(s)	Remarks
	5910 850 2100	Clamping plate	1	1 - 3	
<b>1</b>	9008 319 2930	Hexagon head screw M12x20	2		
<b>2</b>	5910 890 1901	Clamp lever	1		
<b>3</b>	9455 621 0850	Circlip 10x1	1		

# Spindle ZS

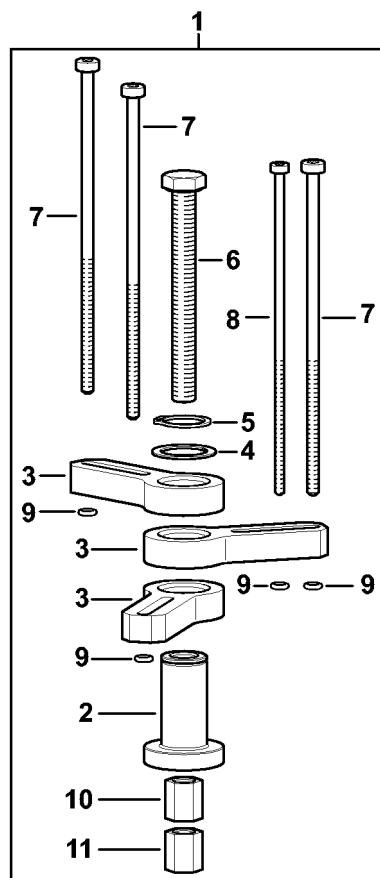


901SW674 GM

# Spindle ZS

#	Part Number	Description	Quantity	Contains Item(s)	Remarks
	5910 893 8505	Spindle ZS	1		

# Puller

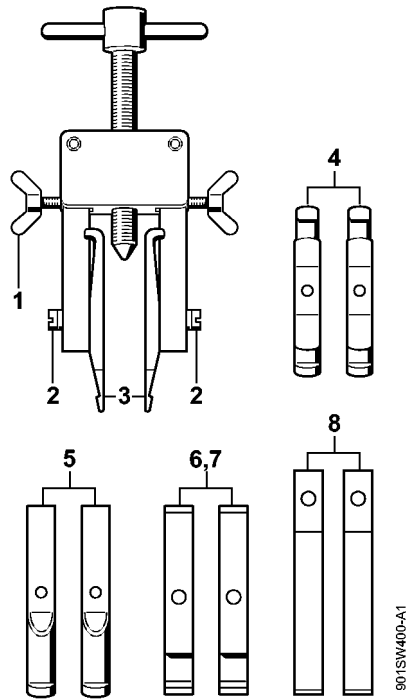


5910-GET-009-A1

# Puller

#	Part Number	Description	Quantity	Contains Item(s)	Remarks
1	5910 890 4505	Puller	1	2 - 11	
2	5910 893 1712	Sleeve	1		
3	5910 895 0700	Extension arm	3		
4	0000 958 0206	Washer	1		
5	9455 621 2150	Circlip 20x1.2	1		
6	9010 346 2545	Hexagon head screw DIN933-M10x1x95-10.9	1		
7	9022 346 1200	Spline screw IS-M5x145x60-10.9	3		
8	9022 346 0852	Spline screw IS-M4x145x60-10.9	1		
9	9646 945 0160	O-ring 4x2	4		
10	5910 895 0900	Guide piece D8	1		
11	5910 895 0901	Guide piece D10	1		

# Puller

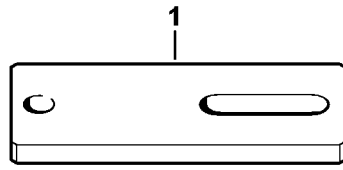


# Puller

#	Part Number	Description	Quantity	Contains Item(s)	Remarks
	5910 890 4400	Puller	1	1 - 8	
1	9157 691 0980	Wing screw M5x16	2		
2	9044 319 0980	Pan head screw M5x16	2		
3	0000 893 3700	Jaw (profile No. 1 and 2)	2		
4	0000 893 3706	Jaw (profile No. 3.1 and 4)	2		
5	0000 893 3711	Jaw (profile No. 6)	2		
6	0000 893 3703	Jaw (profile No. 7)	2		
7	0000 893 3704	Jaw (profile No. 8)	2		
8	0000 893 3707	Jaw (profile No. 9)	2		



# Flange

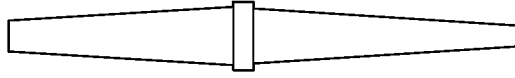


5610-GET-0013-A1

# Flange

#	Part Number	Description	Quantity	Contains Item(s)	Remarks
	5910 855 4206	Flange	1		

# Nipple

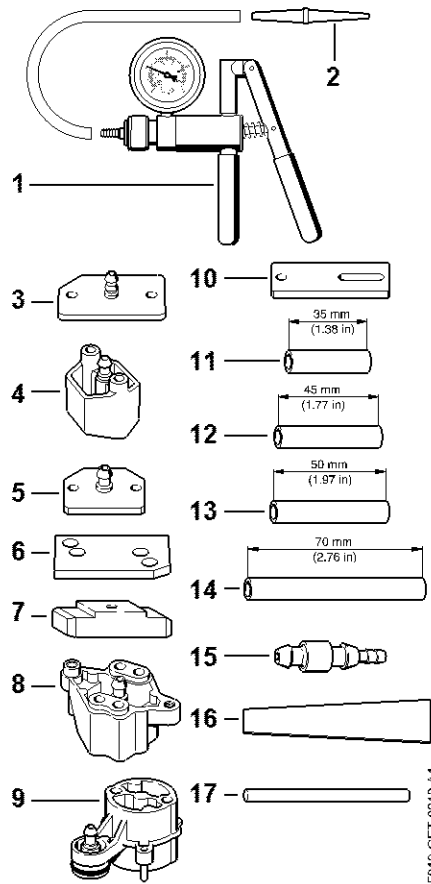


9015W496 GM

# Nipple

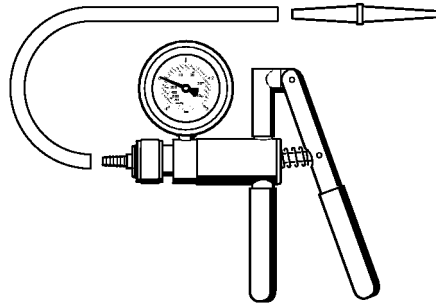
#	Part Number	Description	Quantity	Contains Item(s)	Remarks
	0000 855 9201	Nipple	1		

# Testing tool kit



# Testing tool kit

#	Part Number	Description	Quantity	Contains Item(s)	Remarks
	0000 890 1701	Testing tool kit	1	1 - 17	
<b>1</b>	0000 850 1300	Pump	1	2	
<b>2</b>	0000 855 9201	Nipple	1		
<b>3</b>	1106 850 4201	Flange	1		
<b>4</b>	1118 850 4200	Flange	1		
<b>5</b>	1119 850 4201	Test flange	1		
<b>6</b>	1123 855 4200	Flange	1		
<b>7</b>	1124 850 4205	Flange	1		
<b>8</b>	5910 850 4207	Flange	1		
<b>9</b>	4224 890 1200	Flange	1		
<b>10</b>	5910 855 4206	Flange	1		
<b>11</b>	5910 893 1702	Sleeve	2		
<b>12</b>	1123 851 8300	Sleeve	2		
<b>13</b>	1124 893 7100	Sleeve	2		
<b>14</b>	1127 851 8300	Sleeve	2		
<b>15</b>	0000 855 9200	Nipple	1		
<b>16</b>	0000 855 8106	Sealing plate	1		
<b>17</b>	1110 141 8600	Hose 135 mm / 5 5/16"	1		



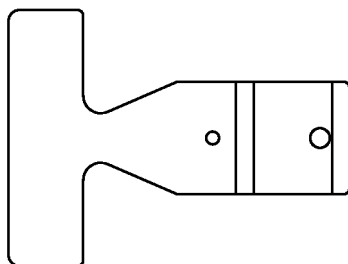
901SW486 GM

# Pump

#	Part Number	Description	Quantity	Contains Item(s)	Remarks
	0000 850 1300	Pump	1		
	0000 855 9201	Nipple	1		
	0000 855 0100	Hose	1		



# Setting gauge

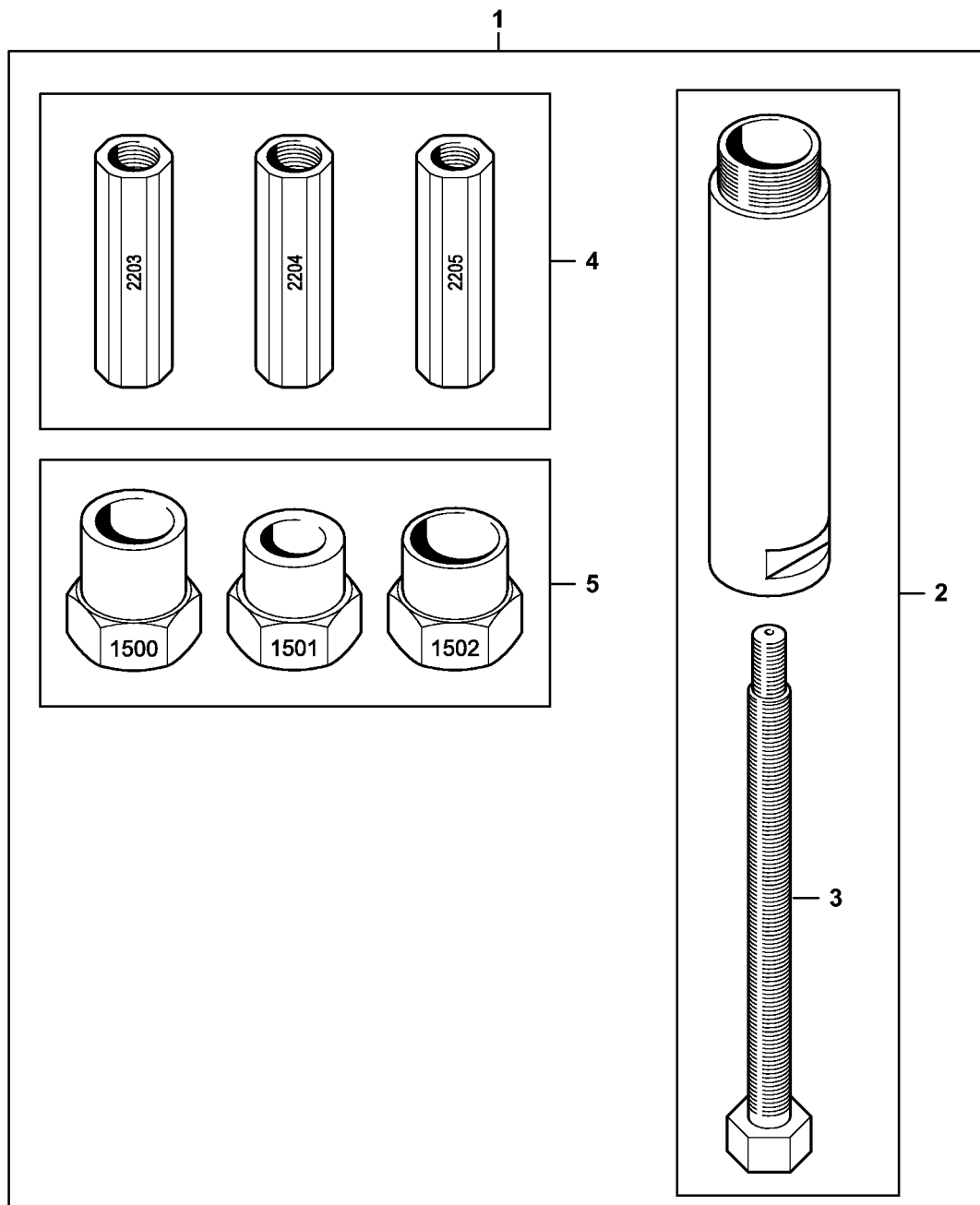


901SW605 SC

# Setting gauge

#	Part Number	Description	Quantity	Contains Item(s)	Remarks
	0000 890 6401	Setting gauge	1		

# Installing tool AS

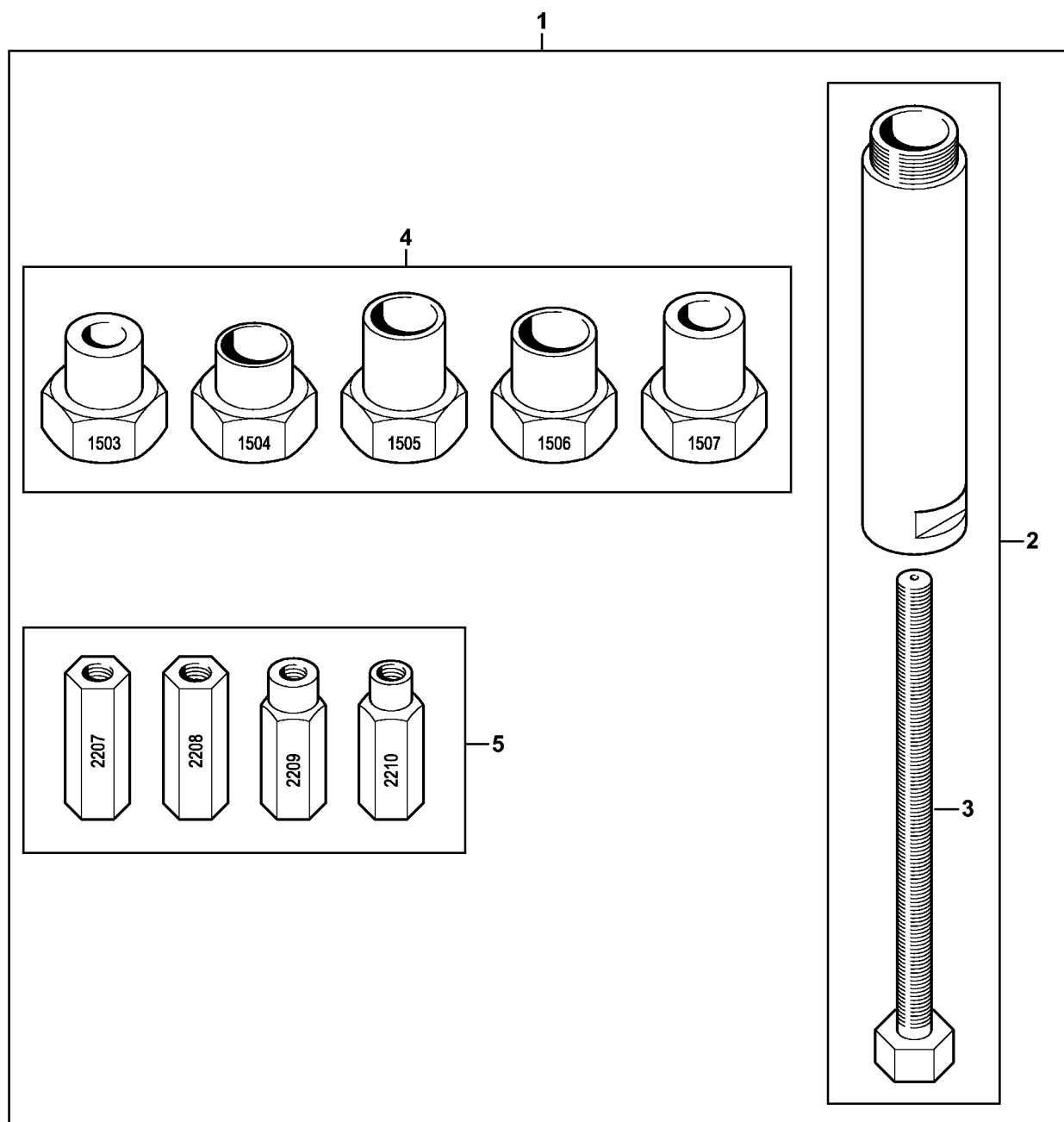


9510-GET-0129-A0

# Installing tool AS

#	Part Number	Description	Quantity	Contains Item(s)	Remarks
1	5910 850 5220	Installing tool AS	1	2 - 5	<a href="http://stihl.com/sxyRs8">http://stihl.com/sxyRs8</a>
2	5910 890 8401	Spindle AS	1	3	
3	5910 893 8503	Spindle M8x1-LH AS	1		
4	5910 007 1009	Set of screw sleeves AS	1		
5	5910 007 1007	Adapter kit AS	1		

# Installing tool LS



9510-GET-0130-A0

# Installing tool LS

#	Part Number	Description	Quantity	Contains Item(s)	Remarks
1	5910 850 5221	Installing tool LS	1	2 - 5	<a href="http://stihl.com/sxyRs8">http://stihl.com/sxyRs8</a>
2	5910 890 8402	Spindle LS	1	3	
3	5910 893 8504	Spindle M8x1 LS	1		
4	5910 007 1008	Adapter kit LS	1		
5	5910 007 1010	Set of screw sleeves LS	1		