

# TS 420

Spare Parts List

02/06/2023

Indonesia, English

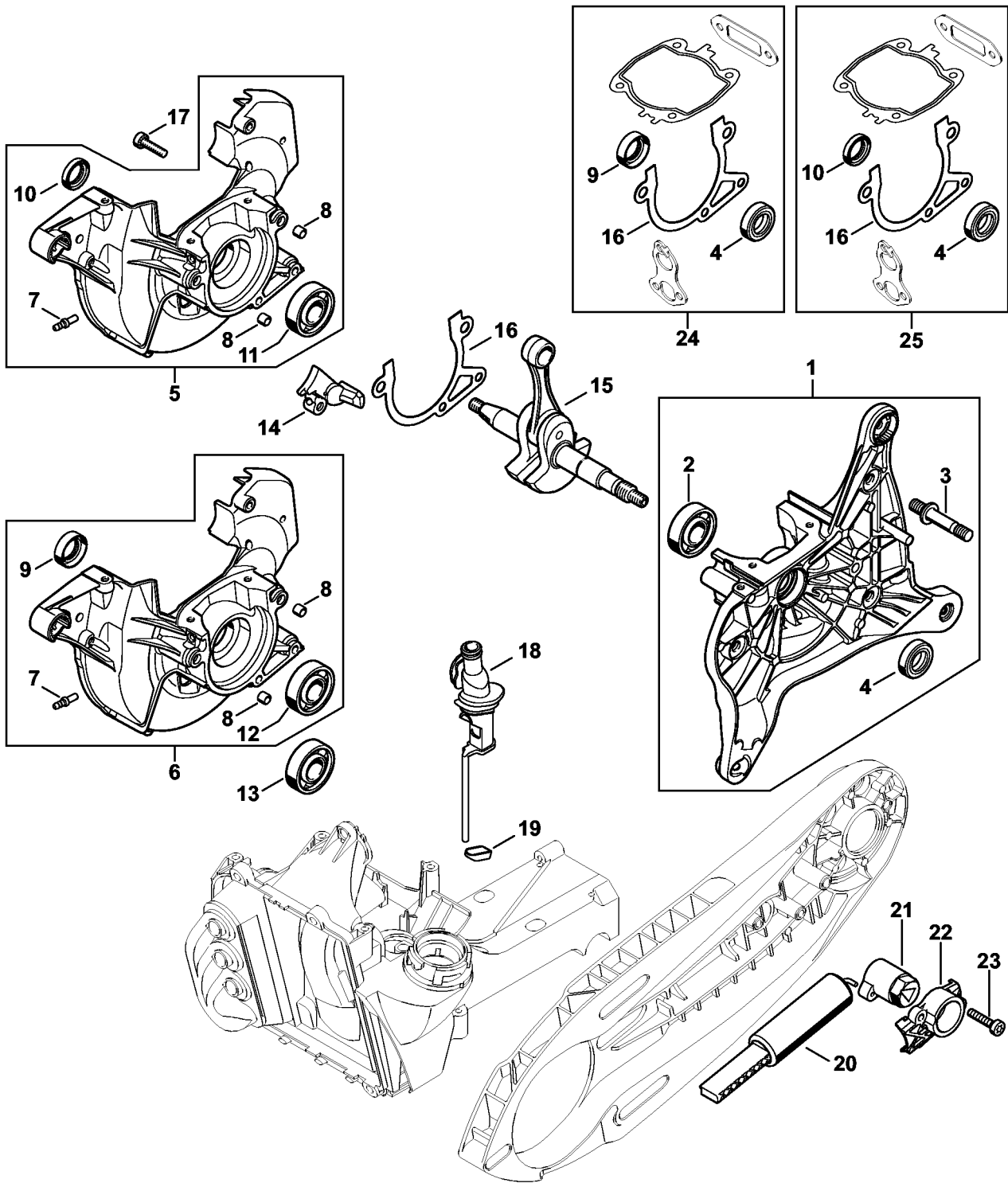
## Contents

Crankcase .....	3	Socket, T27x125 .....	67
Cylinder, Muffler .....	5	Hose 135 mm / 5 5/16" .....	69
Engine .....	7	Setting gauge .....	71
Clutch, Handlebar .....	10	Press arbor .....	73
Rewind starter .....	13	Plug .....	75
Tank housing .....	15	Dial gauge holder .....	77
Ignition system .....	18	Test disk .....	79
Carburetor 4238/03 .....	20	Assembly hook .....	81
Carburetor C1Q-S118, C1Q-167 .....	23	Stud puller, M8 .....	83
Air filter, Shroud .....	26	Socket, 13 mm .....	85
Connector, Guard TS 420 .....	28	Assembly hook .....	87
Wheel kit .....	31	Ignition system tester, ZAT 3 .....	89
Pressurized water tank .....	33	Ignition system tester, ZAT 4 .....	91
Pressurized water tank (28.2010) .....	35	Socket, 13 mm, long reach .....	93
Tools, Extras .....	37	Press arbor .....	95
Serial number .....	39	Puller .....	97
Tightening torques .....	41	Locking strip .....	99
Tightening torques .....	43	Torque wrench with optical/acoustic signal .....	101
Tightening torques .....	45	Torque wrench with optical/acoustic signal .....	103
Miscellaneous lubricants and greases .....	47	Dial gauge .....	105
Cleaning products .....	49	Jaw (profile No. 1 and 2) .....	107
Nipple .....	51	Jaw (profile No. 3.1 and 4) .....	109
Wooden assembly block .....	53	Assembly stand .....	111
Assembly drift .....	55	Sleeve .....	113
Installing sleeve .....	57	Installing tool, 10 .....	115
Socket, S19x12.5L .....	59	Clamping plate .....	117
Sealing plate .....	61	Press sleeve .....	119
Pliers A10 .....	63	Flange .....	121
Pliers C19 .....	65	Ring .....	123

# Contents

Puller .....	125
Puller .....	127
Power supply .....	129
Spacer .....	131
Puller .....	133
Nipple .....	135
Pump .....	137
Screwdriver, T27x150 .....	139
Installing tool AS .....	141
Installing tool LS .....	143

# Crankcase

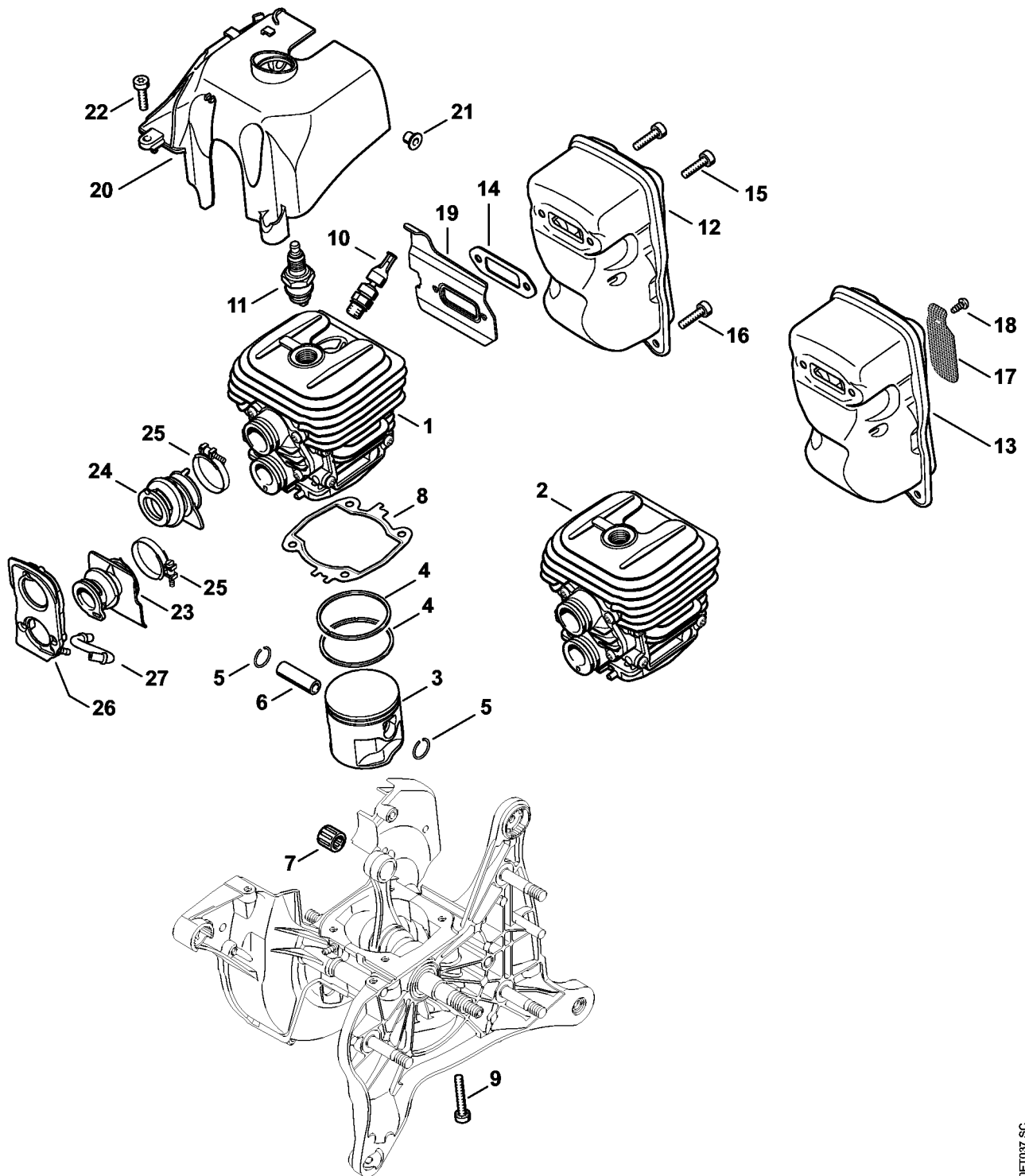


4238-GET-0038-A0

# Crankcase

#	Part Number	Description	Quantity	Contains Item(s)	Remarks
1	4238 020 2909	Crankcase, drive end	1	2 - 4	
2	9503 003 0360	Grooved ball bearing DIN625-15x36,3x11	1		
3	0000 953 6610	Stud	3		
4	9630 951 1696	Oil seal 15x26x7	1		
6	4238 020 2613	Crankcase, fan side	1	7 - 9,12	
7	0000 988 5211	Connector	1		
8	0000 988 8600	Sleeve	2		
9	9640 003 1570	Oil seal 15x24x7	1		
12	9503 003 0361	Grooved ball bearing DIN625-15x35x11	1		
13	9503 003 0360	Grooved ball bearing DIN625-15x36,3x11	1		
15	4238 030 0400	Crankshaft	1		
16	4238 029 0500	Gasket	1		
17	9022 371 1050	Spline screw IS-M5x25	4		
18	4238 141 5400	Hose	1		
19	4238 141 1800	Sleeve	1		
20	4238 660 0400	Belt tensioner	1		
21	4224 664 2100	Clamping lever	1		
22	4224 664 4200	Cover	1		
23	9075 478 4159	Pan head self-tapping screw IS-D5x24	2		
24	4238 007 1003	Set of gaskets	1	4, 9,16	

# Cylinder, Muffler



370ET037 SC

# Cylinder, Muffler

#	Part Number	Description	Quantity	Contains Item(s)	Remarks
1	4238 020 1209	Cylinder with piston Ø 50 mm	1	3 - 6	
3	4238 030 2008	Piston Ø 50 mm	1	4 - 6	
4	4238 034 3000	Piston ring Ø 50x1,2 mm	2		
5	9463 650 1000	Snap ring 10	2		
6	4238 034 1500	Piston pin 10x6x32	1		
7	9512 003 2344	Needle cage 10x14x13	1		
8	4238 029 2300	Cylinder gasket	1		
9	9022 371 1073	Spline screw IS-M5x32	4		
10	4238 020 9400	Decompression valve	1		
11	1110 400 7005	Spark plug Bosch WSR 6 F	1		
11	0000 400 7000	Spark plug NGK BPMR7A	1		
12	4238 140 0610	Muffler	1	14, 15, 19	
14	4238 149 0600	Muffler gasket	1		
15	9022 399 1020	Spline screw IS-M5x20	2		
16	9022 371 1020	Spline screw IS-M5x20	1		
19	0000 141 3200	Cooling plate	1		
20	4238 080 0900	Air guide shroud	1	21	
21	9991 003 5087	Sleeve 7.5x6.8	1		
22	9022 371 1020	Spline screw IS-M5x20	2		
23	4238 141 2203	Manifold	1		
24	4238 141 2202	Manifold	1		
25	9771 021 2536	Hose clip 30x5	2		
26	4238 140 2200	Flange	1		
27	0000 141 8600	Impulse hose	1		
	4238 007 1003	Set of gaskets	1	8, 14	



# Engine

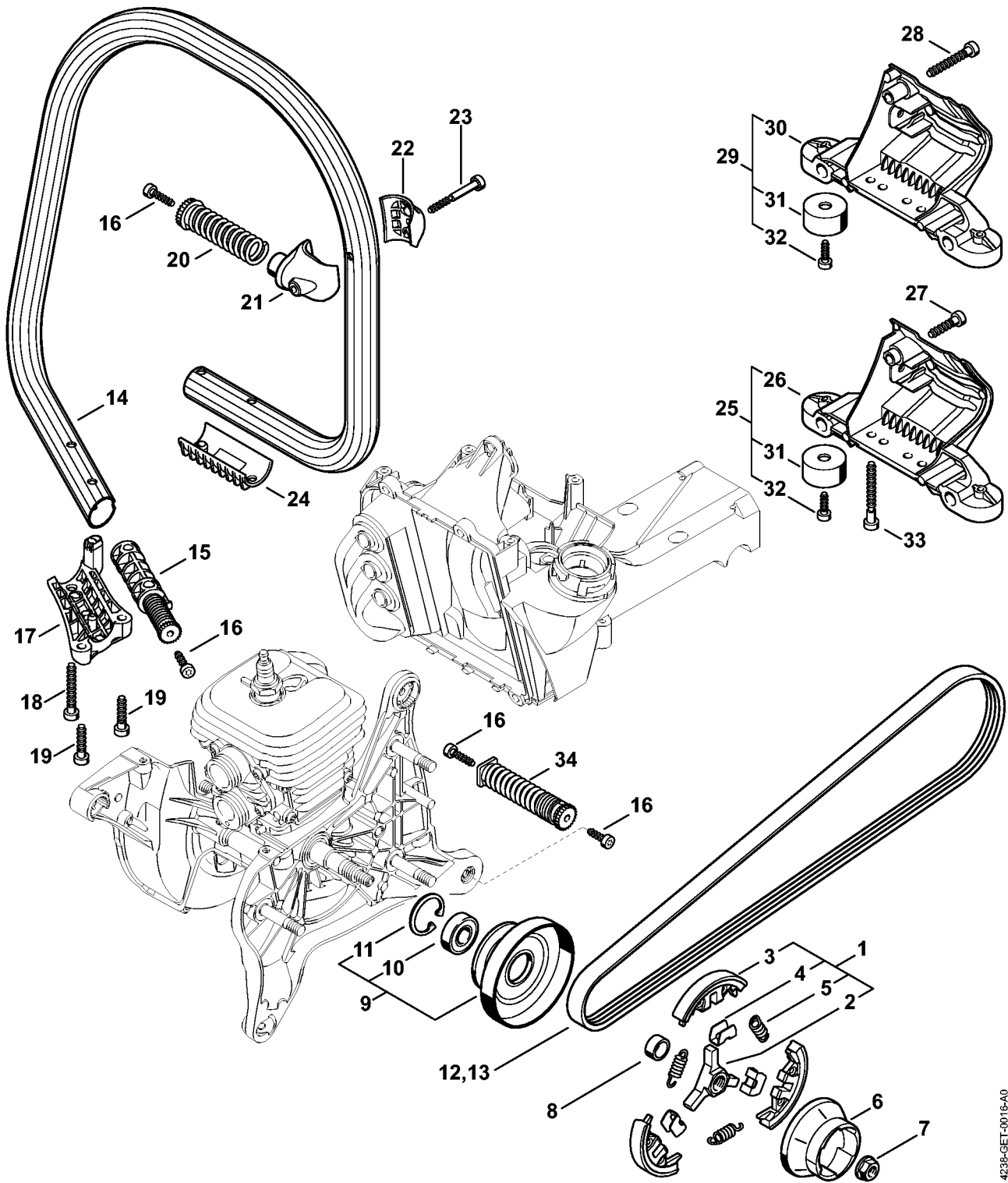
#	Part Number	Description	Quantity	Contains Item(s)	Remarks
1	4238 020 0200	Engine	1	2 - 28	
2	4238 020 2909	Crankcase, drive end	1	3 - 5	
3	9503 003 0360	Grooved ball bearing DIN625-15x36,3x11	1		
4	0000 953 6610	Stud	3		
5	9630 951 1696	Oil seal 15x26x7	1		
6	4238 020 2613	Crankcase, fan side	1	7 - 10	
7	0000 988 5211	Connector	1		
8	0000 988 8600	Sleeve	2		
9	9640 003 1570	Oil seal 15x24x7	1		
10	9503 003 0361	Grooved ball bearing DIN625-15x35x11	1		
11	4238 030 0400	Crankshaft	1		
12	4238 029 0500	Gasket	1		
13	9022 371 1050	Spline screw IS-M5x25	4		
14	4238 141 5400	Hose	1		
15	4238 141 1800	Sleeve	1		
16	4238 020 1209	Cylinder with piston Ø 50 mm	1	17 - 20	
17	4238 030 2008	Piston Ø 50 mm	1	18 - 20	
18	4238 034 3000	Piston ring Ø 50x1,2 mm	1		
19	9463 650 1000	Snap ring 10	1		
20	4238 034 1500	Piston pin 10x6x32	1		
21	9512 003 2344	Needle cage 10x14x13	1		
22	4238 029 2300	Cylinder gasket	1		
23	9022 371 1073	Spline screw IS-M5x32	4		
24	4238 149 0600	Muffler gasket	1		
25	4238 141 2203	Manifold	1		
26	4238 141 2202	Manifold	1		
27	9771 021 2536	Hose clip 30x5	2		



# Engine

#	Part Number	Description	Quantity	Contains Item(s)	Remarks
28	0000 141 8600	Impulse hose	1		
29	4238 007 1003	Set of gaskets	1	5, 9, 12, 22, 24	

# Clutch, Handlebar



4238-GET-0016-A0

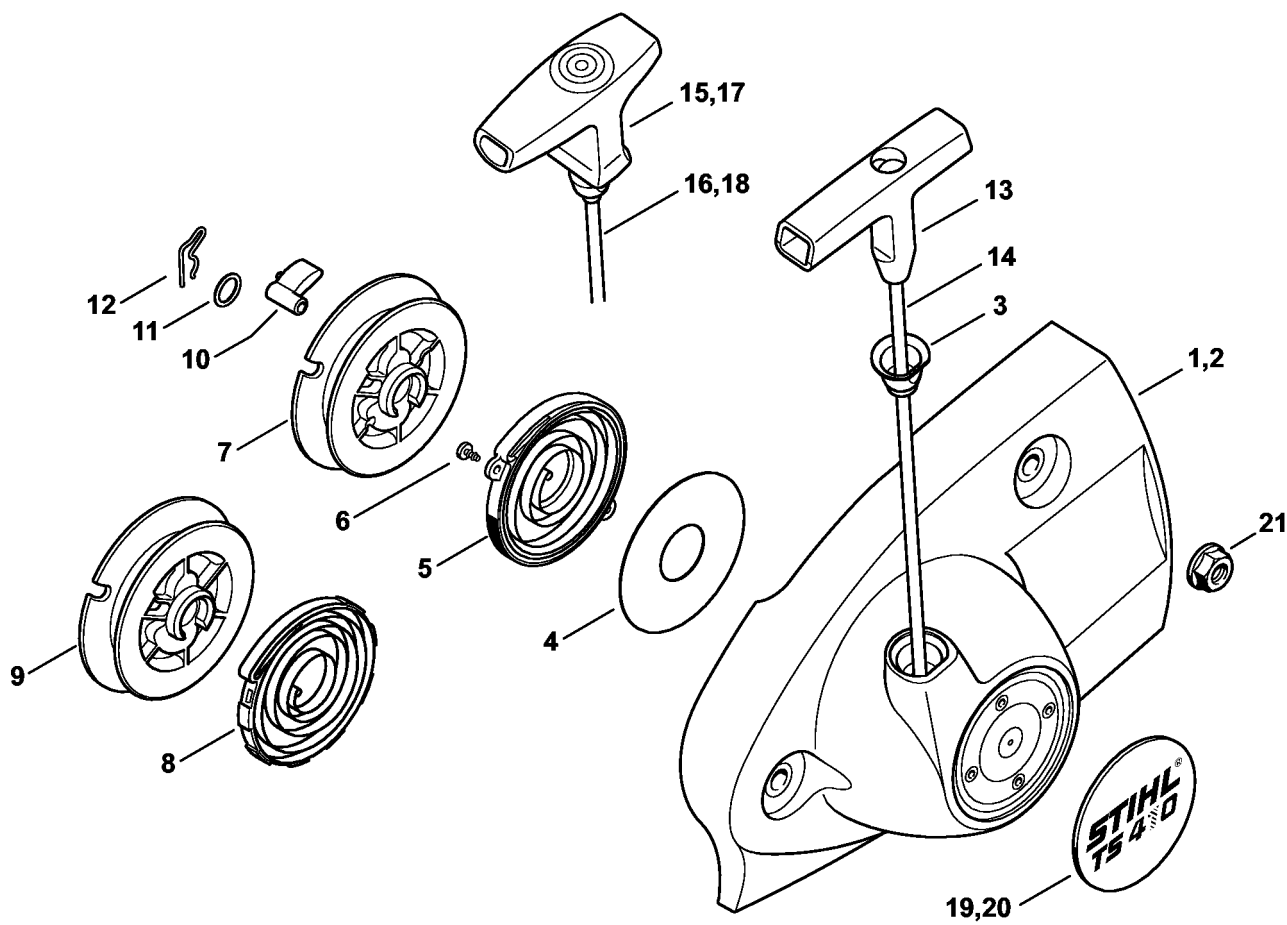
# Clutch, Handlebar

#	Part Number	Description	Quantity	Contains Item(s)	Remarks
1	4238 160 2002	Clutch	1	2 - 5	
2	1125 162 3202	Carrier	1		
3	1128 162 0806	Clutch shoe	3		
4	1128 162 3000	Retainer	3		
5	0000 997 5510	Tension spring	3		
6	4238 195 0600	Starter cup	1		
7	0000 955 0802	Collar nut M8x1	1		
8	0000 036 0200	Ring	1		
9	4238 760 8500	Poly V-belt pulley	1	10, 11	
10	9503 003 5136	Grooved ball bearing 6001-2RS	1		
11	9456 621 3100	Circlip 28x1.2	1		
13	9490 000 7900	multi-rib belt	1		
14	4238 791 1700	Handlebar	1		
15	4238 790 8301	AV-Spring	1		
16	9074 478 4425	Pan head self-tapping screw IS-P6x19	4		
17	4238 791 0910	Clamp	1		
18	9074 478 4705	Pan head self-tapping screw IS-P6x40	1		
19	9074 478 4143	Pan head self-tapping screw IS-P6x26	2		
20	4238 790 8302	AV-Spring	1		
21	4238 791 1900	Handlebar support	1		
22	4238 791 0900	Clamp	1		
23	9075 478 4190	Pan head self-tapping screw IS-D5x45	1		
24	4238 791 0905	Clamp	1		
25	4238 790 7605	Support	1	26, 31, 32	
26	4238 791 7605	Support	1		
27	9074 478 4143	Pan head self-tapping screw IS-P6x26	1		
28	9074 478 4705	Pan head self-tapping screw IS-P6x40	1		

# Clutch, Handlebar

#	Part Number	Description	Quantity	Contains Item(s)	Remarks
		Up to Serial Number: 180659284			
<b>29</b>	4238 790 7600	Support Up to Serial Number: 180659284	1	30 - 32	
<b>30</b>	4238 791 7601	Support Up to Serial Number: 180659284	1		
<b>31</b>	4205 790 9300	Rubber buffer	2		
<b>32</b>	0000 951 1100	Screw IS-D5x20	2		
<b>33</b>	9074 478 4706	Pan head self-tapping screw IS-P6x50	2		
<b>34</b>	4238 790 8304	AV-Spring	1		

# Rewind starter

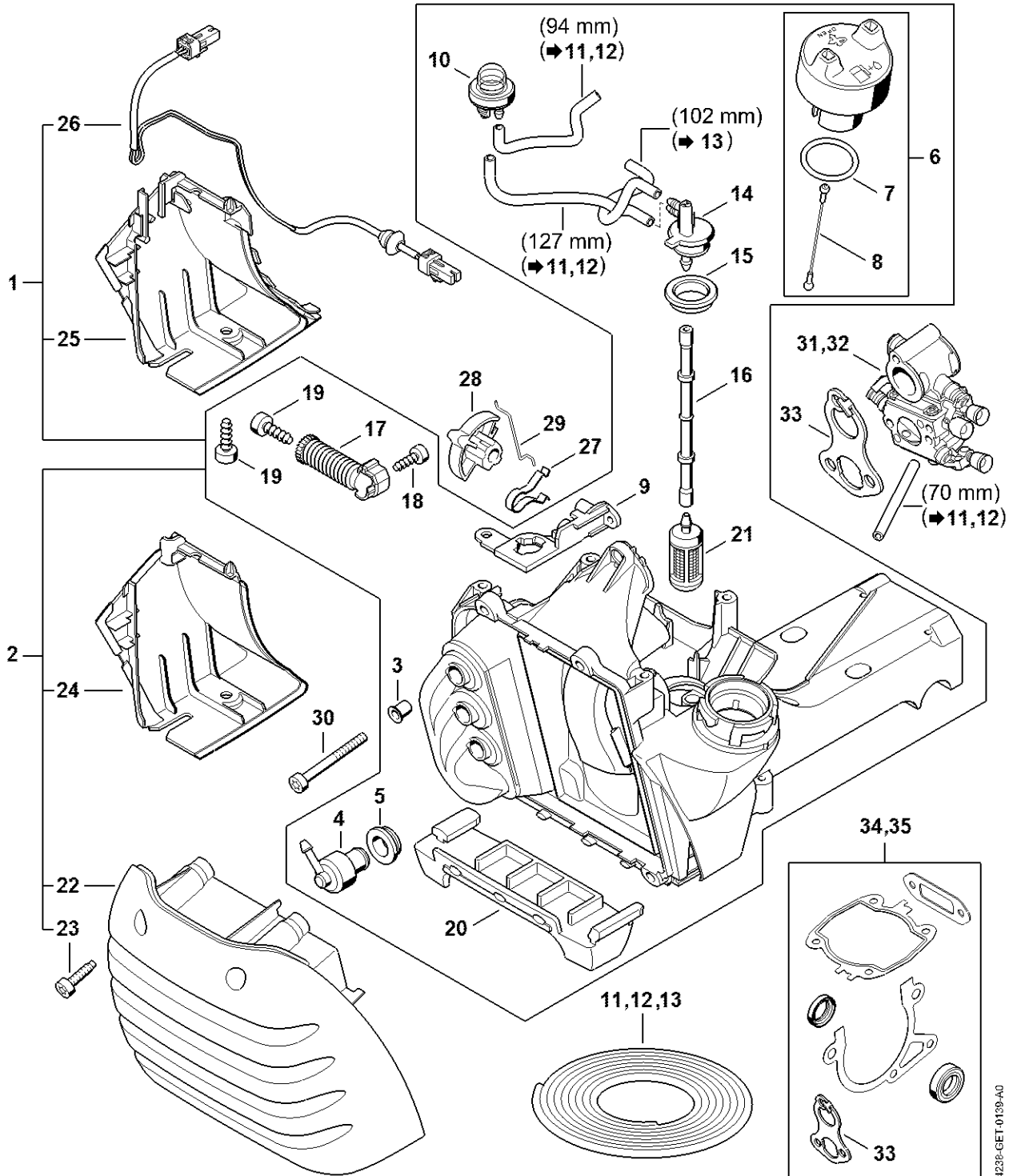


370ET035 SC

# Rewind starter

#	Part Number	Description	Quantity	Contains Item(s)	Remarks
	4238 190 0302	Starter cover with rewind starter	1	1, 3 - 7, 10 - 14, 19, 20	
1	4238 190 0404	Starter cover	1	3	
2	4238 190 0401	Starter cover	1	3	
3	1110 084 9102	Bushing	1		
4	4238 195 9000	Washer	1		
5	4224 190 0600	Rewind spring	1		
6	9104 003 0410	Self-tapping screw P3x6	2		
7	4238 190 1001	Rope rotor	1		
8	4238 190 0601	Rewind spring	1		
9	4223 190 1001	Rope rotor	1		
10	0000 195 7200	Pawl	1		
11	0000 958 0923	Washer	1		
12	1118 195 3500	Spring	1		
	0000 190 3500	Grip with starter rope Ø 4 mm	1	13, 14	
13	1121 195 3400	Starter grip	1		
14		Starter rope Ø 4x995 mm	1		
	0000 930 2297	Starter rope Ø 4 mm x 30 m	1		
17	0000 190 3414	Starter grip ElastoStart Ø 4.5 mm	1	18	
18	0000 190 2901	Starter rope Ø 4.5 mm	1		
	0000 930 2295	Starter rope Ø 4.5mm / 28 pieces	1		
20	4238 967 1501	Model plate TS 420	1		
21	9220 260 1100	Hexagon nut M8	3		

# Tank housing



4238-GET-0139-A0

# Tank housing

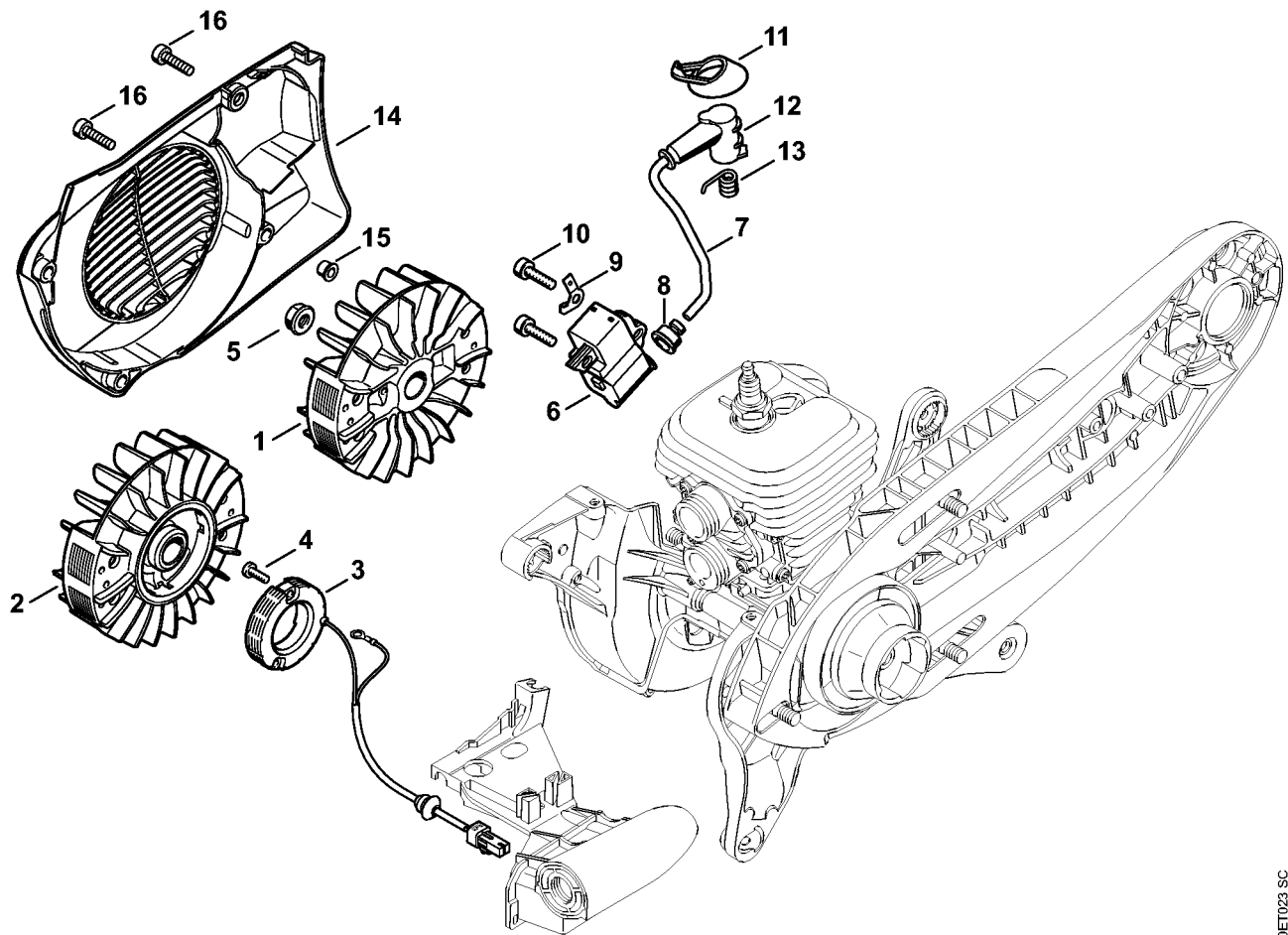
#	Part Number	Description	Quantity	Contains Item(s)	Remarks
2	4238 350 0854	Tank housing	1	3 - 24	
3	9443 825 7131	Hollow rivet 7.5x1x9.1	3		
4	4238 350 5800	Tank vent	1		
5	4223 353 9201	Grommet	1		
6	0000 350 0514	Filler cap	1	7, 8	
7	9645 948 2471	O-ring 23x3	1		
8	0000 350 0905	Rope	1		
9	4238 352 8201	Clamp	1		
10	4238 350 6201	Fuel pump	1		
11	0000 930 2803	Hose 3.1x5.7 mm x 1 m, R3	1		
12	0712 923 8004	Hose 3.1x5.7 mm x 10 m, R3	1		
13	0000 937 5004	Hose 3.1x5.7 mm x 1 m, R5	1		
14	4238 353 2701	Connector	1		
15	4238 353 9200	Grommet	1		
16	4238 358 7700	Hose	1		
17	4238 790 8300	AV-Spring	1		
18	9074 477 4130	Pan head self-tapping screw IS-P5x16	1		
19	9074 478 4425	Pan head self-tapping screw IS-P6x19	2		
20	4238 354 0100	Support foot	1		
21	0000 350 3521	Pickup body	1		
22	4238 140 1000	Filter cover	1		
23	0000 951 1109	Screw IS-M5x20	4		
24	4238 141 6300	Air baffle	1		
27	4238 121 2400	Flat spring	1		
28	4238 121 6100	Choke lever	1		
29	4238 185 1500	Choke rod	1		
30	9022 341 1220	Spline screw IS-M5x48	3		



# Tank housing

#	Part Number	Description	Quantity	Contains Item(s)	Remarks
31	4238 120 0603	Carburetor 4238/03	1		
33	4238 129 0900	Gasket	1		
34	4238 007 1003	Set of gaskets	1	33	

# Ignition system

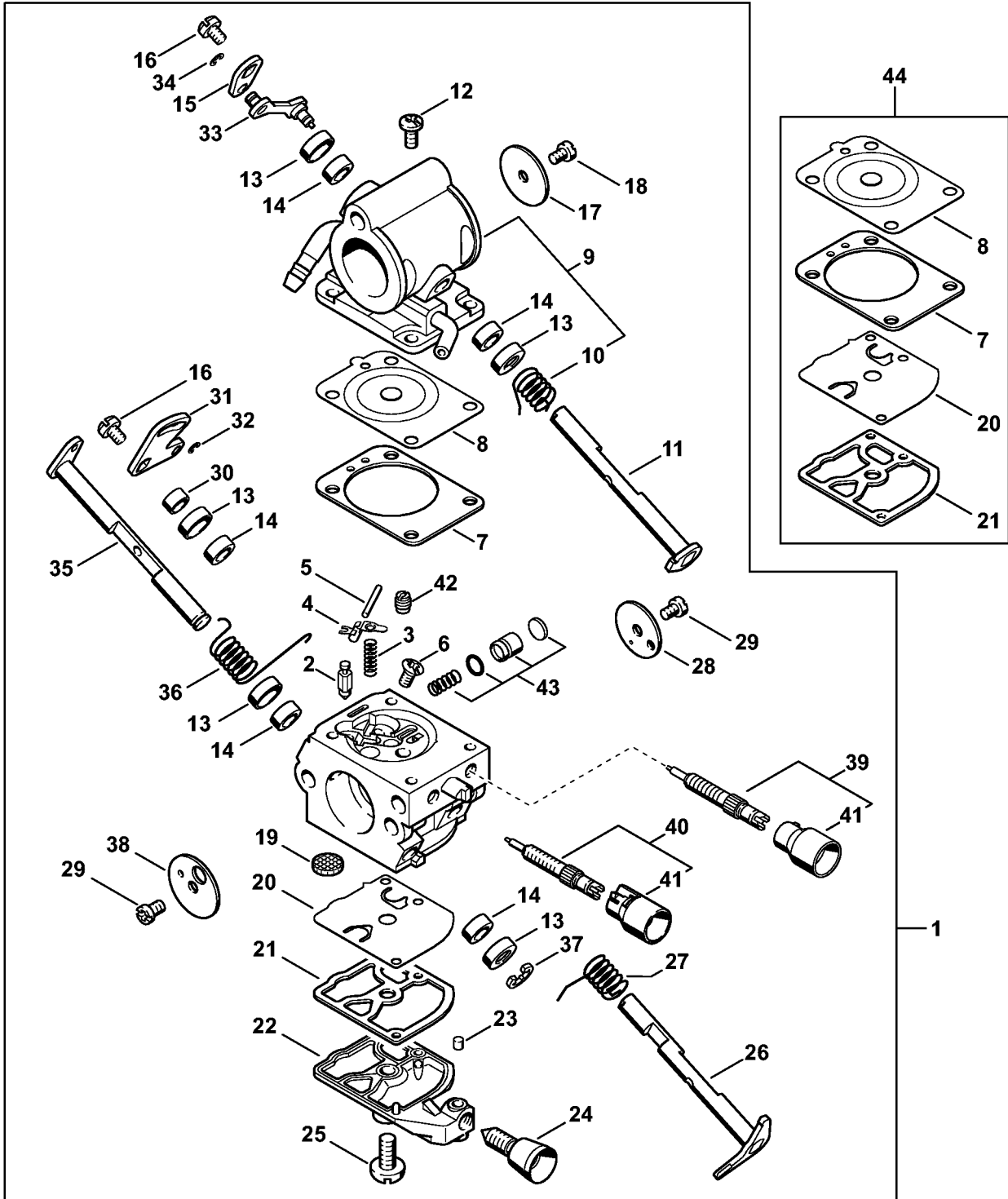


370ET023 SC

# Ignition system

#	Part Number	Description	Quantity	Contains Item(s)	Remarks
1	4238 400 1202	Flywheel	1		
5	0000 955 0802	Collar nut M8x1	1		
6	4238 400 1307	Ignition module	1	7, 8, 11 - 13	
7		Ignition lead 275 mm	1		
	0000 405 0600	Ignition lead 1 m	1		
	0000 930 2251	Ignition lead 10 m	1		
8	0000 989 1002	Grommet	1		
9	4238 431 2100	Connector tag	1		
10	9022 341 1019	Spline screw IS-M5x20	2		
11	4223 084 1600	Cover	1		
12	1128 405 1000	Spark plug boot	1		
13	0000 998 0604	Spark plug contact spring	1		
14	4238 080 3102	Fan cover	1		
15	0000 963 0809	Bushing	3		
16	9022 371 1020	Spline screw IS-M5x20	4		

# Carburetor 4238/03



4238-GET-0086-A1

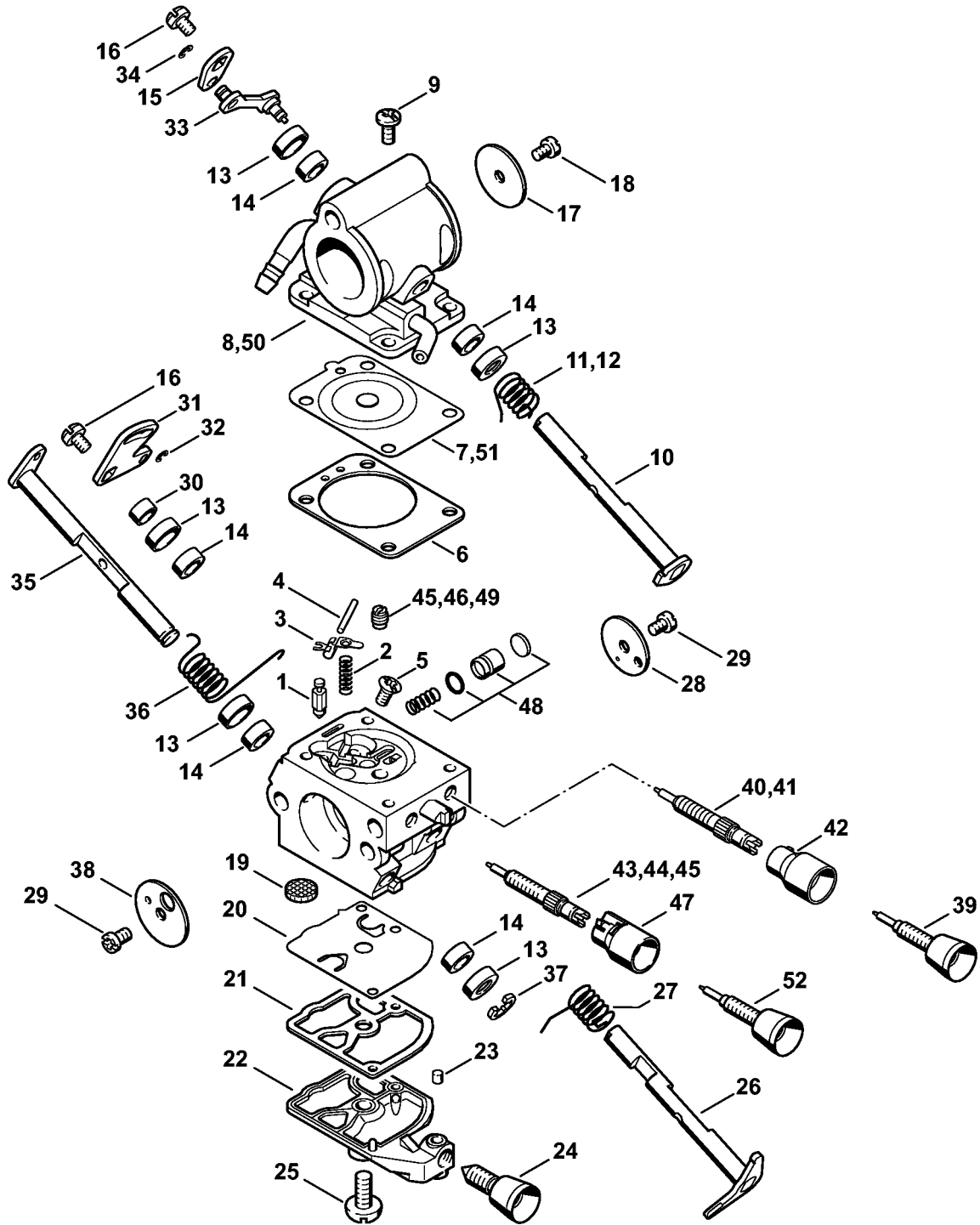
# Carburetor 4238/03

#	Part Number	Description	Quantity	Contains Item(s)	Remarks
1	4238 120 0603	Carburetor 4238/03	1	2 - 43	
2	Z000 018 Z000	Inlet needle	1		
3	4128 122 3000	Spring	1		
4	1125 121 5000	Inlet control lever	1		
5	1120 121 9200	Spindle	1		
6	1120 122 6600	Collar screw	1		
7	4238 129 0901	Metering gasket	1		
8	4238 121 4700	Metering diaphragm	1		
9	4238 120 0850	End cover	1	10	
10	4238 122 3202	Torsion spring	1		
11	4238 120 7300	Air valve shaft with lever	1		
12	1120 122 6601	Collar screw	4		
13	4238 121 9400	Ring	5		
14	4238 122 3600	Sealing ring	5		
15	4238 121 6601	Lever	1		
16	1139 122 7101	Screw	2		
17	4180 121 3301	Throttle shutter	1		
18	1125 122 7402	Round head screw	1		
19	1123 121 7800	Strainer	1		
20	1129 121 4800	Pump diaphragm	1		
21	1123 129 0905	Pump gasket	1		
22	4134 121 0802	End cover	1		
23	1125 122 4200	Clamp	1		
24	4229 122 6200	Idle speed screw	1		
25	1120 122 7800	Oval head screw	1		
26	4238 120 7100	Throttle shaft with lever	1		
27	1123 122 3000	Spring	1		

# Carburetor 4238/03

#	Part Number	Description	Quantity	Contains Item(s)	Remarks
28	4238 121 3300	Throttle shutter	1		
29	1125 122 7403	Round head screw	2		
30	4238 122 5000	Spacer sleeve	1		
31	4238 121 6600	Lever	1		
32	4238 122 9000	E-clip	1		
33	4238 124 2100	Rod	1		
34	1125 122 9003	E-clip	1		
35	4238 120 7200	Choke shaft with lever	1		
36	4238 122 3200	Torsion spring	1		
37	1120 122 9000	E-clip	1		
38	4128 121 2900	Choke shutter	1		
39	Z010 031 K001	Low speed screw kit	1	41	
40	4238 120 6700	High speed screw	1	41	
41	Z010 061 Z013	Limiter Cap	2		
42	4238 121 5601	Fixed jet 0.70	1		
43	4238 120 9700	Pump piston kit	1		
44	4238 007 1060	Carburetor parts kit	1	7, 8, 20, 21	

# Carburetor C1Q-S118, C1Q-167



370ET039 SC

# Carburetor C1Q-S118, C1Q-167

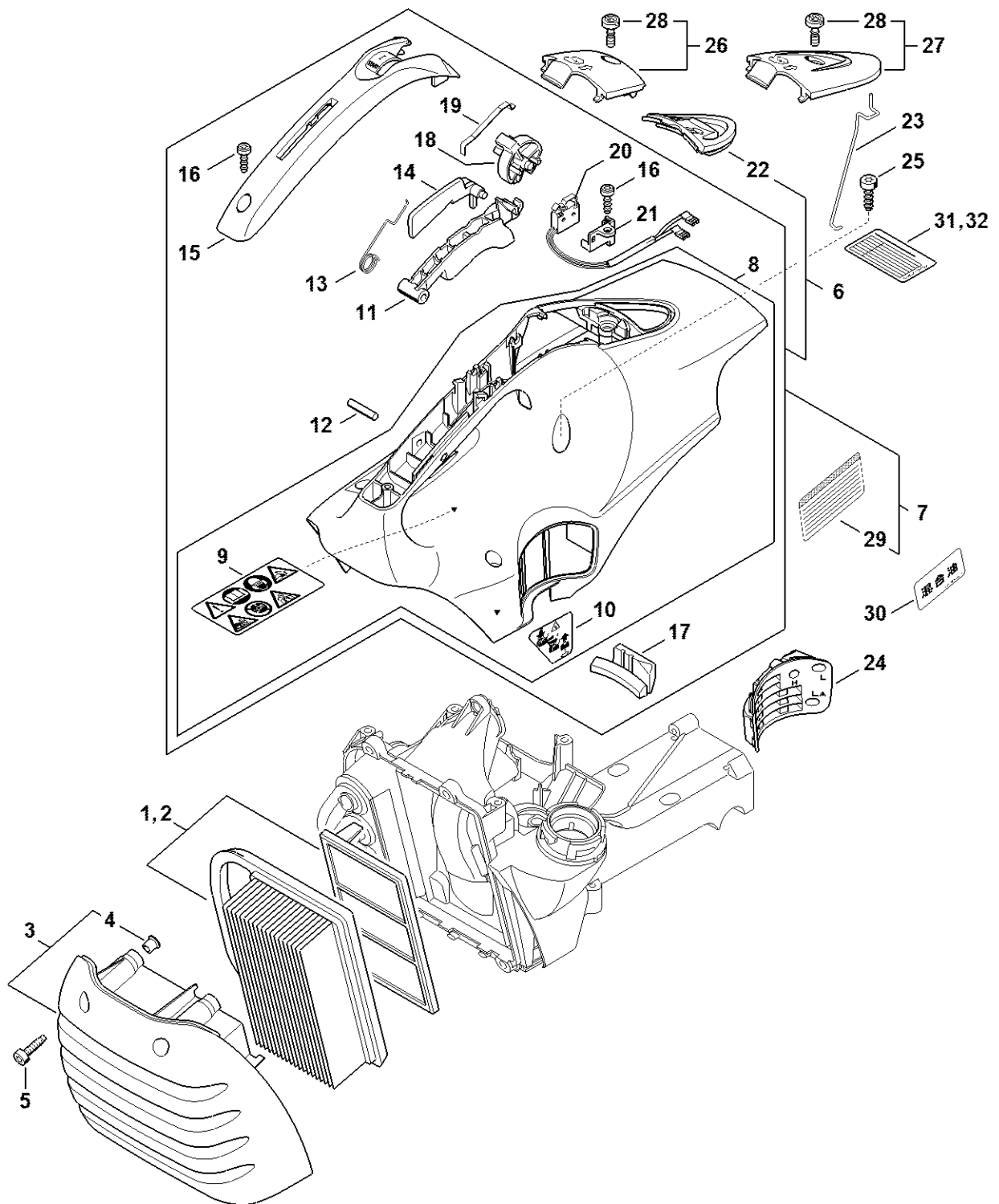
#	Part Number	Description	Quantity	Contains Item(s)	Remarks
	4238 120 0600	Carburetor C1Q-S118H	1	1 - 11, 13 - 38, 40, 42, 43, 46 - 48	
1	Z000 018 Z000	Inlet needle	1		
2	1129 122 3001	Spring	1		
3	1125 121 5000	Inlet control lever	1		
4	1120 121 9200	Spindle	1		
5	1120 122 6600	Collar screw	1		
6	4238 129 0901	Metering gasket	1		
7	4238 121 4700	Metering diaphragm	1		
8	4238 120 0850	End cover	1	11	
9	1120 122 6601	Collar screw	4		
10	4238 120 7300	Air valve shaft with lever	1		
11	4238 122 3202	Torsion spring	1		
12	4238 122 3201	Torsion spring	1		
13	4238 121 9400	Ring	5		
14	4238 122 3600	Sealing ring	5		
15	4238 121 6601	Lever	1		
16	1139 122 7101	Screw	2		
17	4180 121 3301	Throttle shutter	1		
18	1125 122 7402	Round head screw	1		
19	1123 121 7800	Strainer	1		
20	1129 121 4800	Pump diaphragm	1		
21	1123 129 0905	Pump gasket	1		
22	4134 121 0802	End cover	1		
23	1125 122 4200	Clamp	1		
24	4229 122 6200	Idle speed screw	1		
25	1120 122 7800	Oval head screw	1		



# Carburetor C1Q-S118, C1Q-167

#	Part Number	Description	Quantity	Contains Item(s)	Remarks
26	4238 120 7100	Throttle shaft with lever	1		
27	1123 122 3000	Spring	1		
28	4238 121 3300	Throttle shutter	1		
29	1125 122 7403	Round head screw	2		
30	4238 122 5000	Spacer sleeve	1		
31	4238 121 6600	Lever	1		
32	4238 122 9000	E-clip	1		
33	4238 124 2100	Rod	1		
34	1125 122 9003	E-clip	1		
35	4238 120 7200	Choke shaft with lever	1		
36	4238 122 3200	Torsion spring	1		
37	1120 122 9000	E-clip	1		
38	4128 121 2900	Choke shutter	1		
40	4238 120 6801	Low speed screw	1	42	
41	4238 120 6800	Low speed screw	1	42	
42	Z010 061 Z013	Limiter Cap	1		
43	4238 120 6700	High speed screw	1	47	
44	4238 122 6701	High speed screw	1		
45	4238 120 9800	High speed adjusting screw/fixed jet kit	1	44, 46	
46	4238 121 5601	Fixed jet 0.70	1		
47	4229 121 2701	Cap	1		
48	4238 120 9700	Pump piston kit	1		
	4238 007 1060	Carburetor parts kit	1	6, 7, 20, 21	

# Air filter, Shroud

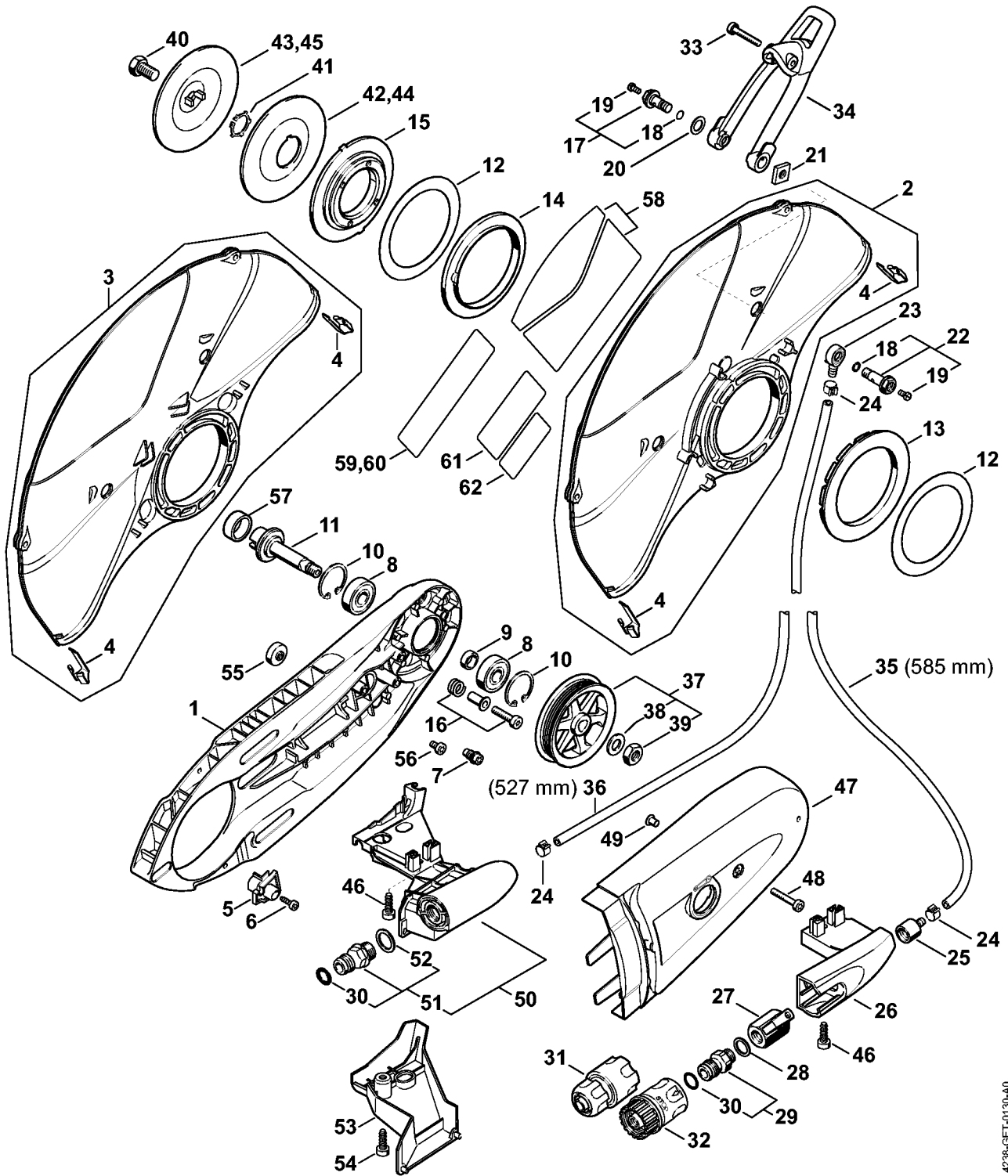


4236-CET-0141-A0

# Air filter, Shroud

#	Part Number	Description	Quantity	Contains Item(s)	Remarks
1	4238 140 4403	Air filter	1		
3	4238 140 1000	Filter cover	1	4	
4	0000 963 0809	Bushing	4		
5	0000 951 1109	Screw IS-M5x20	4		
6	4238 080 1609	Shroud	1	8 - 22	
8	4238 080 1608	Shroud	1	9, 10	
9	0000 967 3799	Warning pictogram TS	1		
10	0000 967 4000	Warning pictogram Filler cap	1		
11	4238 182 1000	Throttle trigger	1		
12	9371 470 2640	Cylindrical pin 5x24	1		
13	4238 182 4500	Torsion spring	1		
14	4238 182 0800	Lockout lever	1		
15	4238 791 0600	Handle molding	1		
16	9074 477 4130	Pan head self-tapping screw IS-P5x16	2		
17	4238 087 8302	Rubber buffer	1		
18	4238 182 0900	Switch shaft	1		
19	4238 182 4700	Flat spring	1		
20	4238 430 0501	Switch	1		
21	4238 435 6001	Bracket	1		
22	4238 084 7400	Grommet	1		
23	4238 182 1500	Throttle rod	1		
24	4238 123 7500	Grommet	1		
25	9074 478 4425	Pan head self-tapping screw IS-P6x19	4		
26	4238 080 2200	Cap	1	28	
27	4238 080 2202	Cap	1	28	USA
28	9022 319 0981	Screw IS-M5x17	1		

# Connector, Guard TS 420



4238-GET-0130-A0

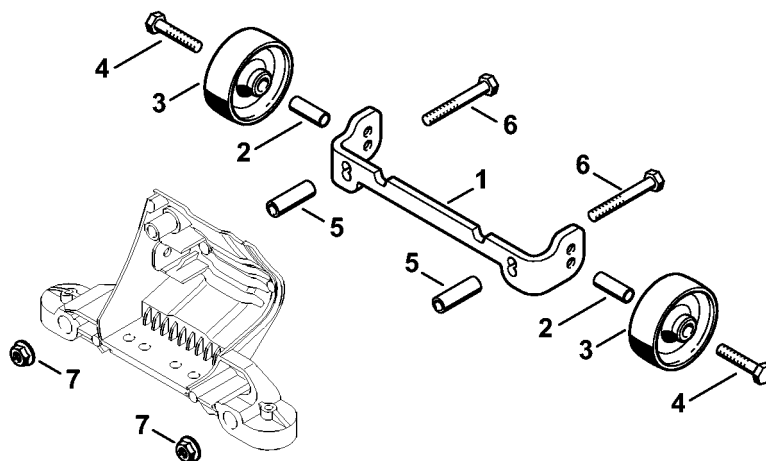
# Connector, Guard TS 420

#	Part Number	Description	Quantity	Contains Item(s)	Remarks
1	4238 701 0202	Cast arm	1		
2	4224 700 8108	Guard Ø 350 mm / 14"	1	4	
3	4224 700 8102	Guard Ø 350 mm / 14"	1	4	
4	4238 706 0400	Stiffener	2		
5	4238 691 0200	Limit stop	1		
6	9074 478 3025	Pan head self-tapping screw IS-P4x16	1		
7	4224 691 0100	Stop pin	1		
8	9503 003 6440	Grooved ball bearing 6201-2RS	2		
9	0000 961 1206	Ring	1		
10	9456 621 3600	Circlip 32x1.2	2		
11	4224 704 0502	Shaft	1		
12	4201 706 9202	Washer	2		
13	4224 706 8802	Rubber ring	1		
14	4224 706 8801	Rubber ring	1		
15	4205 706 2903	Flange	1		
16	4238 710 9500	Adjusting screw	4		
17	0000 670 0207	Banjo bolt	1	18, 19	
18	9645 948 0340	O-ring 6x1.5	2		
19	9041 216 0630	Pan head screw M4x8	2		
20	0000 679 2000	Gasket	1		
21	4224 708 8300	Square nut	2		
22	0000 670 0206	Banjo bolt	1	18, 19	
23	4238 677 8202	Connector	1		
24	9771 021 0921	Hose clip 10/7	2		
25	4238 677 8200	Connector	1		
26	4238 708 8200	Bracket	1		
27	4201 700 4500	Shut-off cock 1/4"	1		

# Connector, Guard TS 420

#	Part Number	Description	Quantity	Contains Item(s)	Remarks
28	0000 954 1701	Sealing ring	1		
29	4201 700 7300	Hose connector	1	30	
30	9645 945 7506	O-ring 10x3	1		
31	4201 670 1700	Coupling sleeve 1/2"	1		
33	9022 341 1070	Spline screw IS-M5x30	1		
34	4224 700 2901	Adjusting lever	1		
35	0000 937 4049	Hose 5.6x1.9 mm x 1 m	1		
37	4238 760 8505	Belt pulley	1	38, 39	
38	9291 021 0200	Washer 10.5	1		
39	9211 260 1350	Hexagon nut M10x1 l/h thread	1		High strength threadlocking adhesive
40	4201 708 8402	Hexagon head screw M10x18	1		
41	9450 721 2150	E-clip 20x1.2	1		
42	4201 708 3004	Thrust washer Ø 103 mm	1		
43	4201 708 3014	Thrust washer Ø 103 mm	1		
46	9074 478 4425	Pan head self-tapping screw IS-P6x19	2		
47	4238 700 8109	Guard	1		
48	9022 341 1070	Spline screw IS-M5x30	1		
49	9443 825 7130	Hollow rivet 7.5x1x6.8	1		
57	0000 708 4200	Shaft sleeve	1		
60	0000 967 7226	Warning pictogram	1		Europe

# Wheel kit



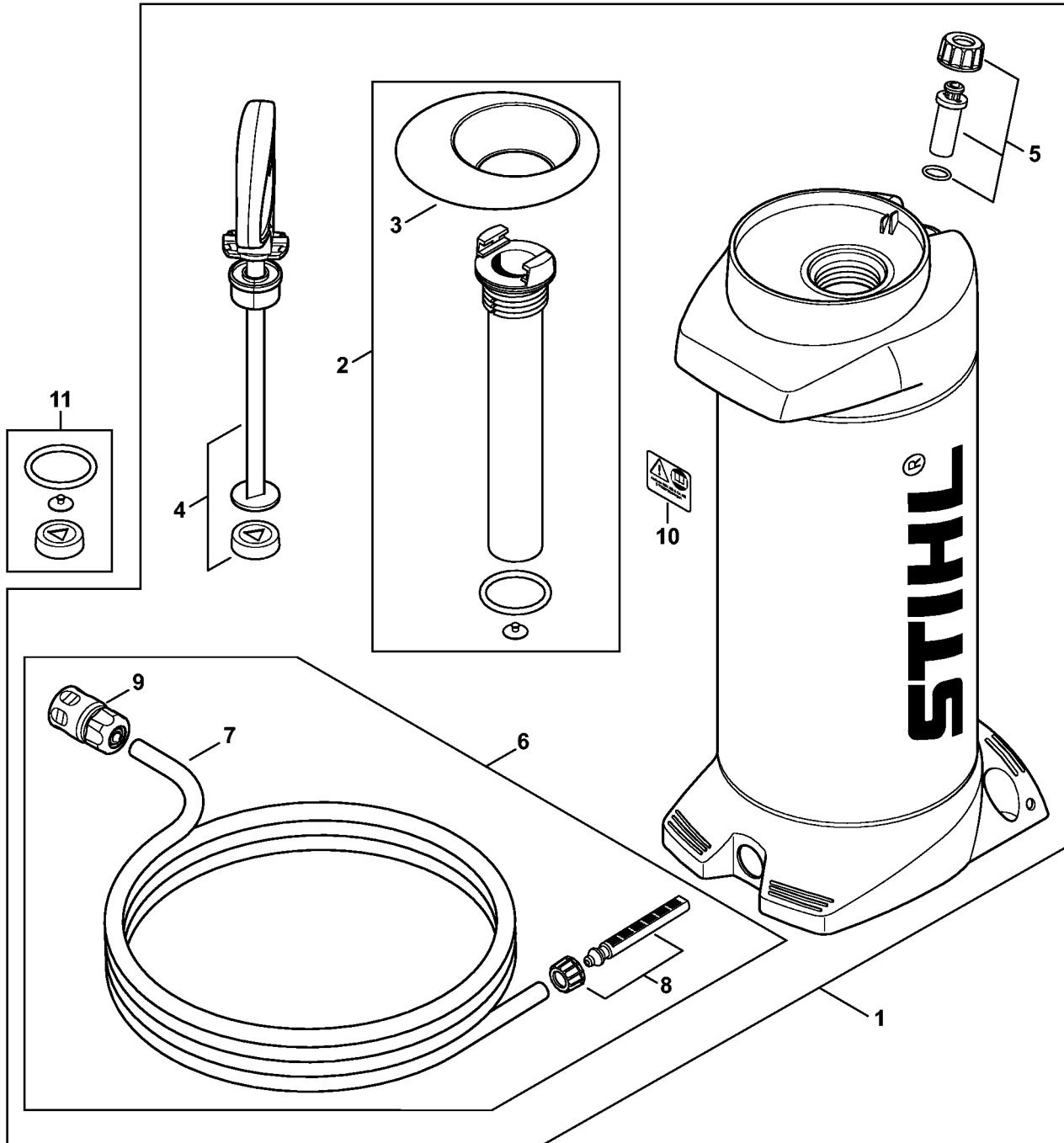
4224-GET-0016-A0

# Wheel kit

#	Part Number	Description	Quantity	Contains Item(s)	Remarks
	4224 007 1014	Wheel mounting kit	1	1 - 7	
<b>1</b>		Carrier	1		
<b>2</b>	4223 791 7200	Sleeve	2		
<b>3</b>	4223 791 3600	Wheel	2		
<b>4</b>	9007 319 1370	Hexagon head screw M6x30	2		
<b>5</b>	4224 791 7204	Sleeve	2		
<b>6</b>	9007 319 1420	Hexagon head screw M6x45	2		
<b>7</b>	9220 260 0900	Hexagon nut M6	2		



# Pressurized water tank

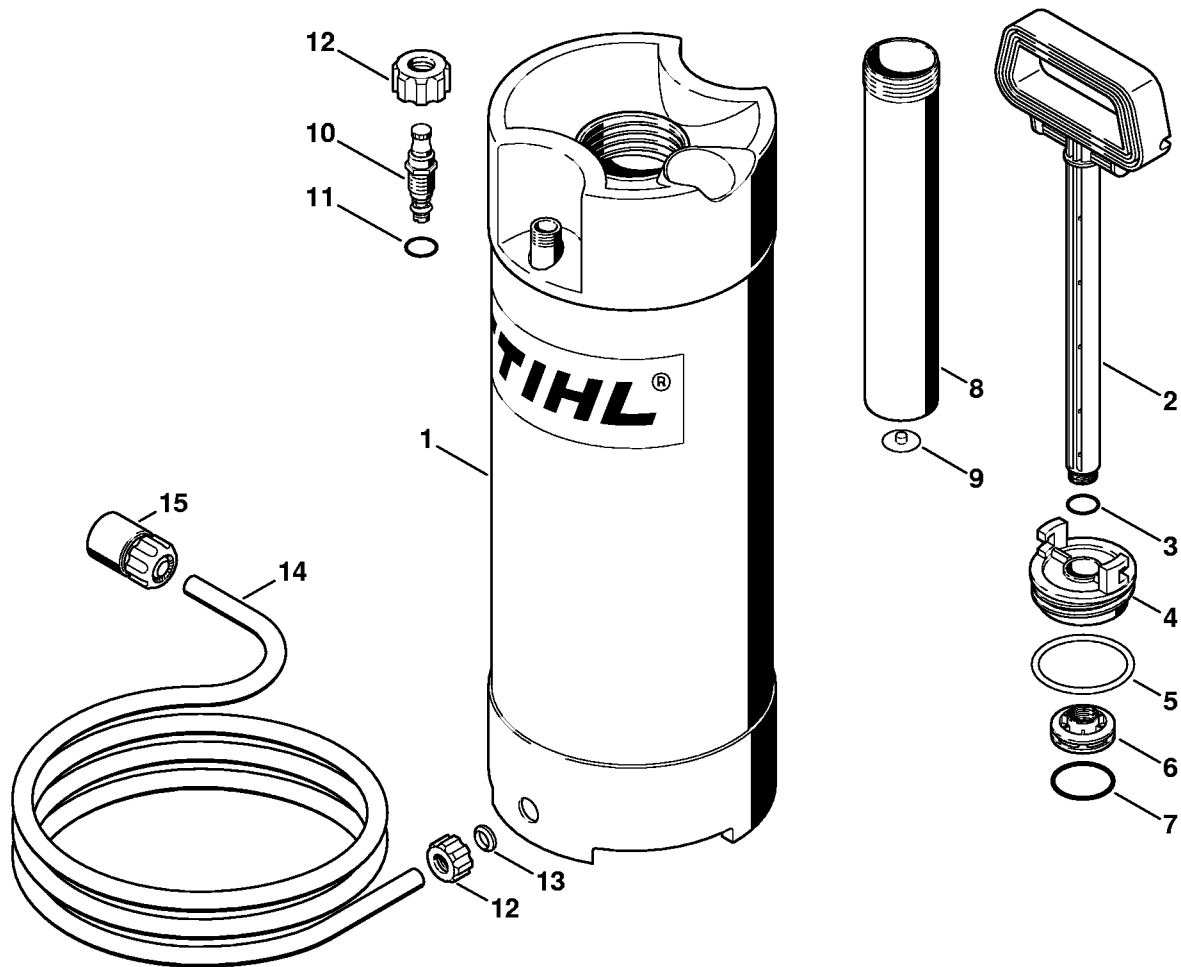


4238-GET-0045-A1

# Pressurized water tank

#	Part Number	Description	Quantity	Contains Item(s)	Remarks
1	0000 670 6000	Water tank	1	2 - 10	
2	0000 670 6600	Pump barrel	1	3	
3	0000 676 0500	Funnel	1		
4	0000 670 7702	Handle	1		
5	0000 670 5000	Valve	1		
6	0000 670 0301	Hose	1	7 - 9	
7	4309 678 1100	Hose 4 m / 158"	1		
8	0000 670 0401	Strainer	1		
9	4201 670 1700	Coupling sleeve 1/2"	1		
10	0000 967 7304	Warning pictogram	1		
11	0000 007 1601	Set of gaskets	1		

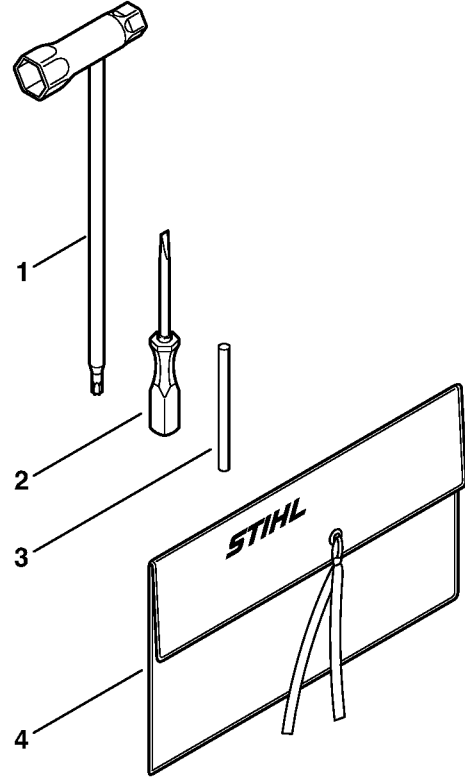
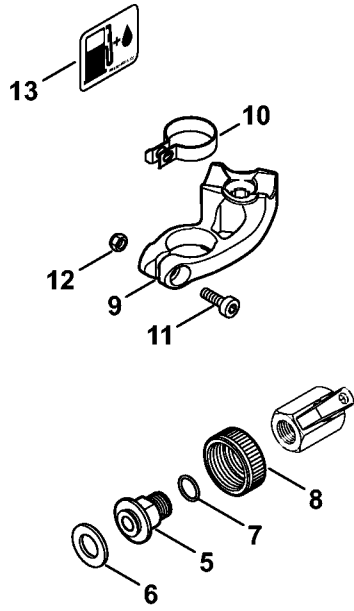
# Pressurized water tank (28.2010)



337ET021 GM

## Pressurized water tank (28.2010)

#	Part Number	Description	Quantity	Contains Item(s)	Remarks
	4223 670 6000	Water tank	1	1 - 14	
	4223 670 6001	Water tank	1	1 - 15	USA
<b>1</b>	4223 670 6010	Water tank	1	12, 13	
<b>2</b>	4223 670 7700	Handle	1	3	
<b>3</b>	9645 945 7560	O-ring 14x1.78	1		
<b>4</b>	4223 670 8600	Filler cap	1	5	
<b>5</b>	9645 945 8240	O-ring 56.5x 5.33	1		
<b>6</b>	4223 670 8200	Piston	1	7	
<b>7</b>	9645 945 7958	O-ring 37.5x3.15	1		
<b>8</b>	4223 670 6600	Pump barrel	1	9	
<b>9</b>	4223 678 2600	Valve	1		
<b>10</b>	4223 670 5000	Valve	1	11	
<b>11</b>	9645 945 7494	O-ring 8.76x1.78	1		
<b>12</b>	4223 677 8300	Union nut	2		
<b>13</b>	4223 678 1600	Insert	1		
<b>14</b>	4309 678 1100	Hose 4 m / 158"	1		
<b>15</b>	4201 670 1700	Coupling sleeve 1/2"	1		

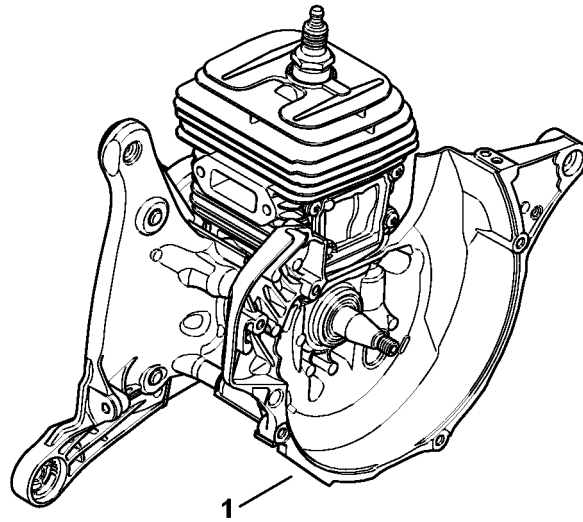


370ET017 GM

# Tools, Extras

#	Part Number	Description	Quantity	Contains Item(s)	Remarks
1	4224 890 3400	Combination wrench	1		
2	5910 890 2305	Screwdriver	1		
3	4130 893 7800	Locking pin	1		
4	0000 891 0810	Tool roll	1		
	4238 670 3603	Water connection TS	1	5 - 13	USA
5	4238 700 7301	Hose connector	1	6, 7	USA
6	0000 679 2001	Gasket	1		USA
7	9646 945 1050	O-ring 11x1.5	1		USA
8	4238 708 3100	Union nut	1		USA
9	4238 792 2501	Support	1		USA
10	4238 791 9400	Hose clamp	1		USA
11	9022 341 0980	Spline screw IS-M5x16	1		USA
12	9214 320 0700	Lock nut M5	1		USA
13	0000 967 4022	Instruction label	1		USA

# Serial number



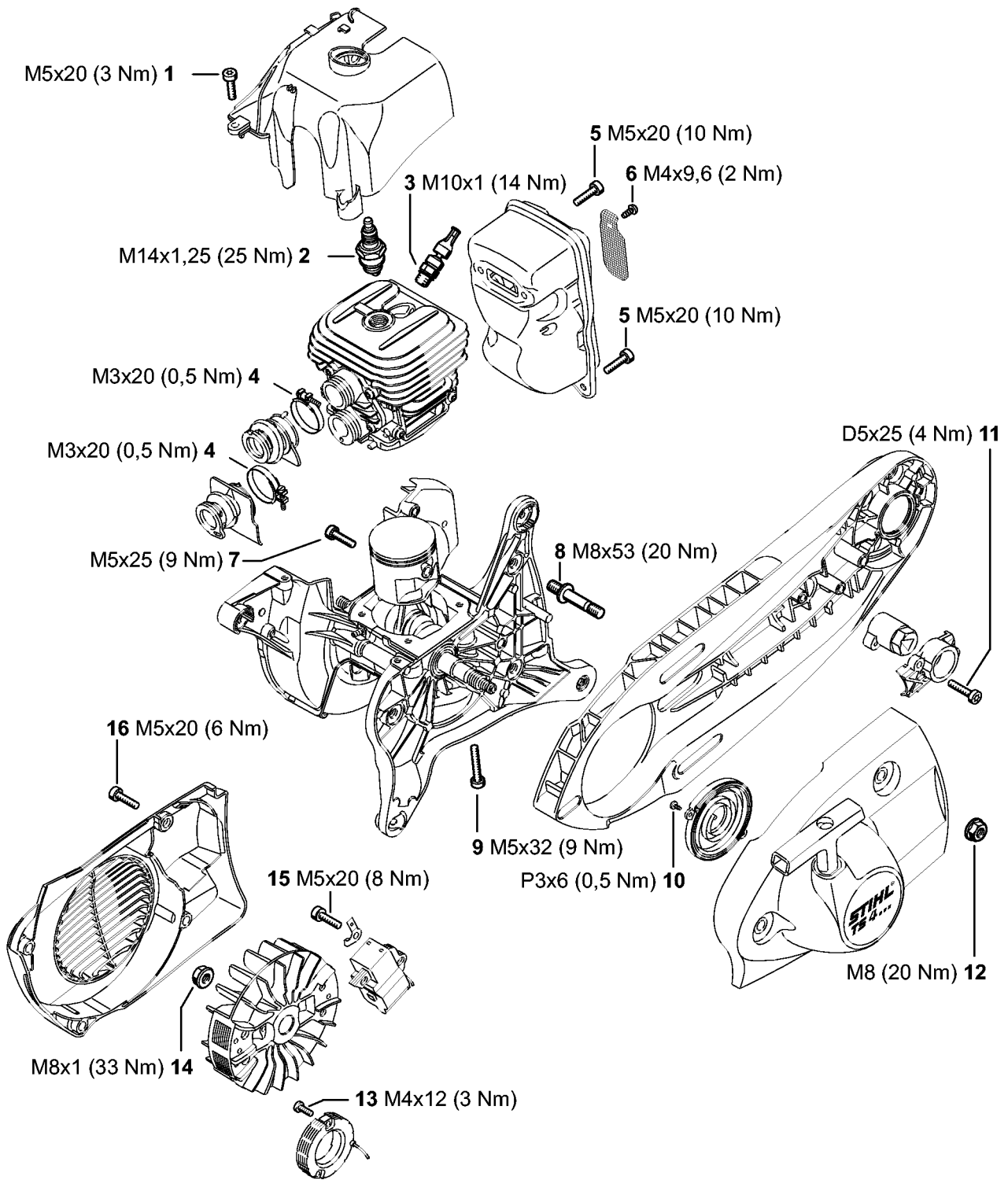
370ET032-SC

# Serial number

#	Part Number	Description	Quantity	Contains Item(s)	Remarks
1		Position of serial number	1		



# Tightening torques

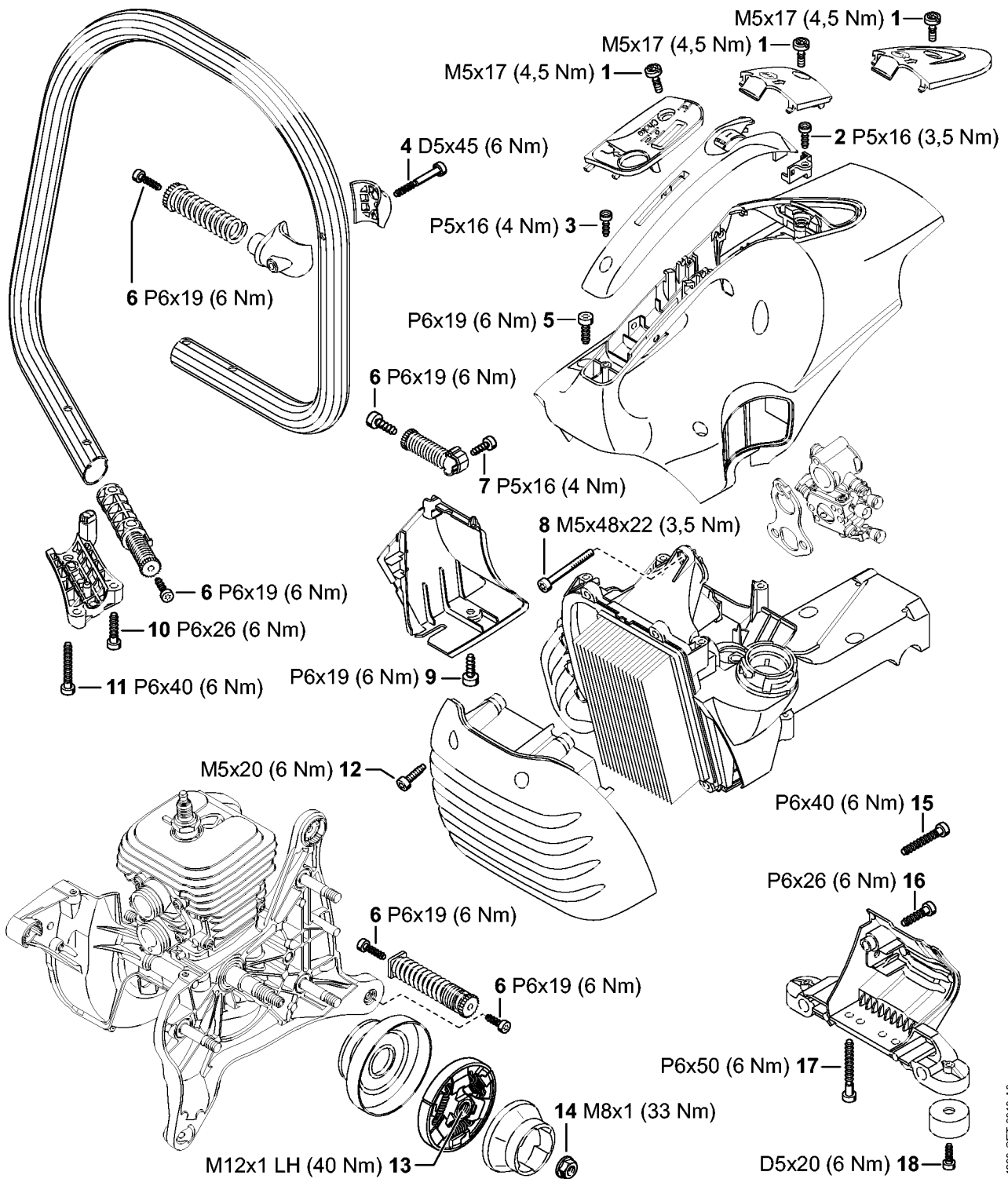


4238-GET-0017-A0

# Tightening torques

#	Part Number	Description	Quantity	Contains Item(s)	Remarks
1	9022 371 1020	Spline screw IS-M5x20	2		Binding thread
2	1110 400 7005	Spark plug Bosch WSR 6 F	1		
3	4238 020 9400	Decompression valve	1		
4	9771 021 2536	Hose clip 30x5	2		
5	9022 371 1020	Spline screw IS-M5x20	3		Binding thread
6	9039 448 0656	Self-tapping screw M4x9.6	1		
7	9022 371 1050	Spline screw IS-M5x25	4		Binding thread
8	0000 953 6610	Stud	3		micro-encapsulated
9	9022 371 1073	Spline screw IS-M5x32	4		Binding thread
10	9104 003 0410	Self-tapping screw P3x6	2		
11	9075 478 4159	Pan head self-tapping screw IS-D5x24	2		Binding thread
12	9220 260 1100	Hexagon nut M8	3		
14	0000 955 0802	Collar nut M8x1	1		
15	9022 341 1019	Spline screw IS-M5x20	2		micro-encapsulated
16	9022 371 1020	Spline screw IS-M5x20	4		Binding thread

# Tightening torques

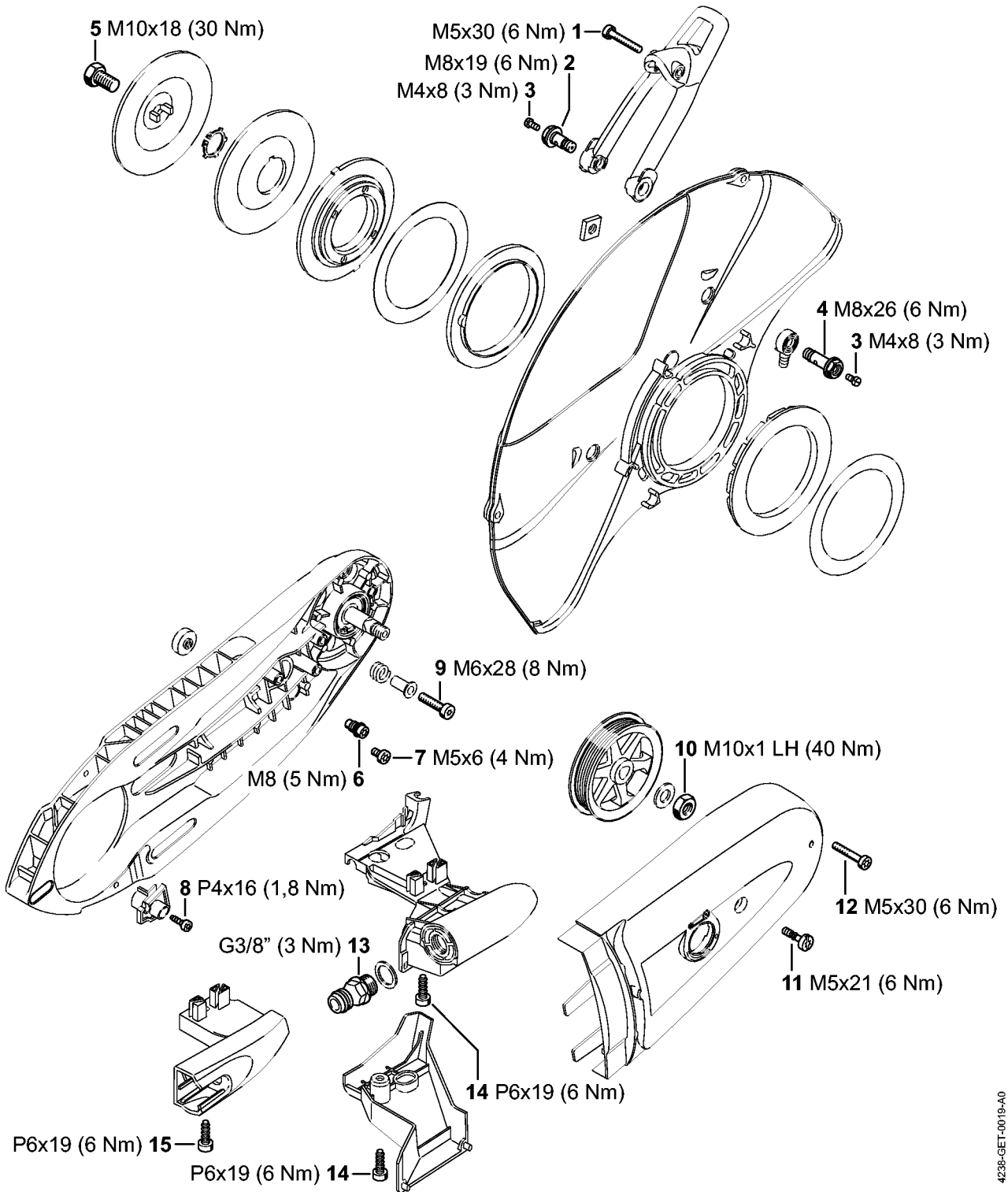


4238-GET-0018-40

# Tightening torques

#	Part Number	Description	Quantity	Contains Item(s)	Remarks
1	9022 319 0981	Screw IS-M5x17	1		
2	9074 477 4130	Pan head self-tapping screw IS-P5x16	1		
3	9074 477 4130	Pan head self-tapping screw IS-P5x16	1		
4	9075 478 4190	Pan head self-tapping screw IS-D5x45	1		Binding thread
5	9074 478 4425	Pan head self-tapping screw IS-P6x19	4		
6	9074 478 4425	Pan head self-tapping screw IS-P6x19	5		
7	9074 477 4130	Pan head self-tapping screw IS-P5x16	1		
8	9022 341 1220	Spline screw IS-M5x48	3		Binding thread
9	9074 478 4425	Pan head self-tapping screw IS-P6x19	1		
10	9074 478 4143	Pan head self-tapping screw IS-P6x26	2		
11	9074 478 4705	Pan head self-tapping screw IS-P6x40	1		
12	0000 951 1109	Screw IS-M5x20	4		Binding thread
13	1125 162 3202	Carrier	1		
14	0000 955 0802	Collar nut M8x1	1		
15	9074 478 4705	Pan head self-tapping screw IS-P6x40	1		
16	9074 478 4705	Pan head self-tapping screw IS-P6x40	1		
17	9074 478 4706	Pan head self-tapping screw IS-P6x50	2		
18	0000 951 1100	Screw IS-D5x20	2		

# Tightening torques

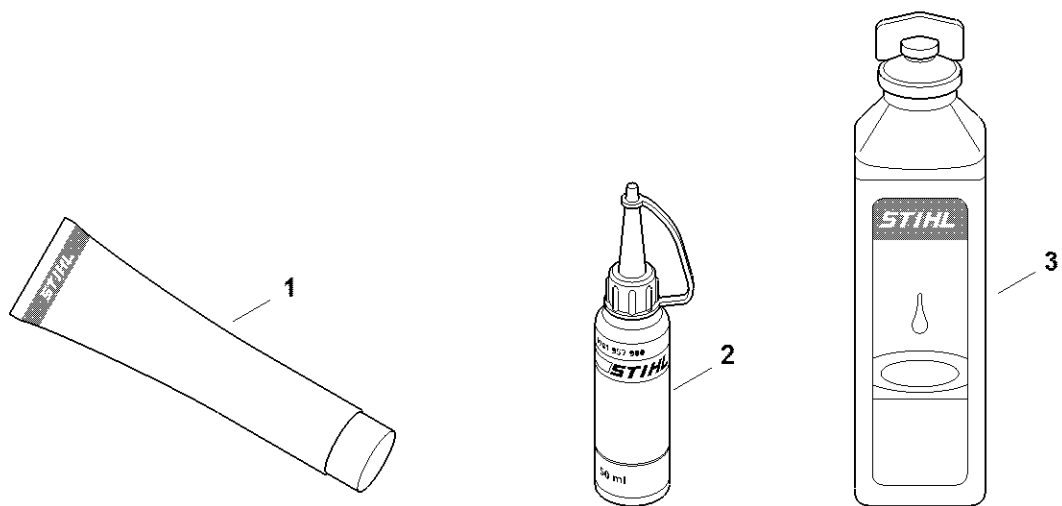


4238-GET-0019-A0

# Tightening torques

#	Part Number	Description	Quantity	Contains Item(s)	Remarks
1	9022 341 1070	Spline screw IS-M5x30	1		Binding thread
2	0000 670 0201	Banjo bolt	1		
3	9041 216 0630	Pan head screw M4x8	2		
4	0000 670 0200	Banjo bolt	1		
5	4201 708 8402	Hexagon head screw M10x18	1		
6	4224 691 0100	Stop pin	1		
7	9022 341 0910	Spline screw IS-M5x6	1		
8	9074 478 3025	Pan head self-tapping screw IS-P4x16	1		
9	4238 710 9500	Adjusting screw	4		Binding thread
10	9211 260 1350	Hexagon nut M10x1 l/h thread	1		
11	9022 319 1027	Screw IS-M5x21	1		
12	9022 341 1070	Spline screw IS-M5x30	1		
13	4238 700 7300	Hose connector with filter	1		
15	9074 478 4425	Pan head self-tapping screw IS-P6x19	2		

# Miscellaneous lubricants and greases



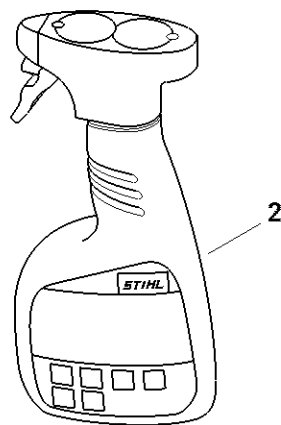
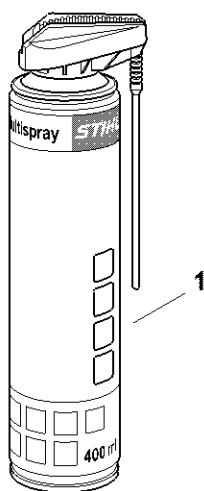
0000-GET-0170-A0

# Miscellaneous lubricants and greases

#	Part Number	Description	Quantity	Contains Item(s)	Remarks
1	0781 120 1021	STIHL Multilub 40g tube	1		
1	0781 120 1109	Multipurpose grease 80 g	1		
1	0781 120 1110	Multipurpose grease 225 g	1		
2	0781 957 9000	Press fluid OH 723	1		
3	0781 319 8401	HP 100ml	1		
3	0781 319 8052	HP Super 100ml	1		
3	0781 319 8060	HP Ultra 100ml	1		



# Cleaning products

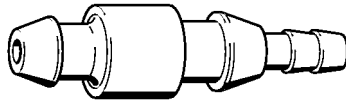


0000-GET-0172-A0

# Cleaning products

#	Part Number	Description	Quantity	Contains Item(s)	Remarks
1	0730 411 7002	Multispray 50 ml	1		
1	0730 411 7000	Multispray	1		
2	0000 881 9400	VarioClean 500 ml	1		
2	0000 881 9409	Special cleaner 5 l	1		
3	0782 516 8500	Multioil Bio 50 ml	1		

# Nipple

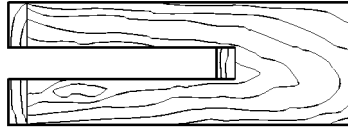


901SW008 GM

# Nipple

#	Part Number	Description	Quantity	Contains Item(s)	Remarks
	0000 855 9200	Nipple	1		

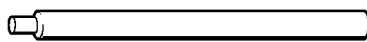
# Wooden assembly block



901SW022 GM

# Wooden assembly block

#	Part Number	Description	Quantity	Contains Item(s)	Remarks
	1108 893 4800	Wooden assembly block	1		



901SW036 GM

# Assembly drift

#	Part Number	Description	Quantity	Contains Item(s)	Remarks
	1110 893 4700	Assembly drift	1		



# Installing sleeve

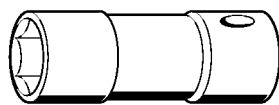


901SW061 GM

# Installing sleeve

#	Part Number	Description	Quantity	Contains Item(s)	Remarks
	1118 893 4602	Installing sleeve	1		

# Socket, S19x12.5L



901SW073 GM

# Socket, S19x12.5L

#	Part Number	Description	Quantity	Contains Item(s)	Remarks
	5910 893 5613	Socket, S19x12.5L	1		

# Sealing plate

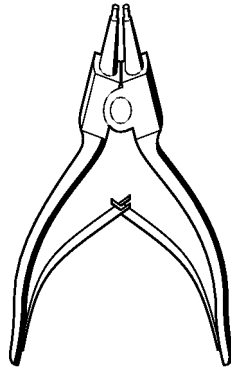


901 SW078 GM

# Sealing plate

#	Part Number	Description	Quantity	Contains Item(s)	Remarks
	0000 855 8106	Sealing plate	1		

# Pliers A10



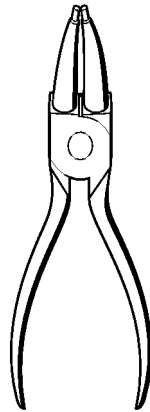
901 SW085 GM

# Pliers A10

#	Part Number	Description	Quantity	Contains Item(s)	Remarks
	0811 611 8200	Pliers A10	1		



# Pliers C19

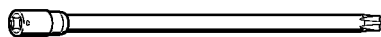


901SW087 GM

# Pliers C19

#	Part Number	Description	Quantity	Contains Item(s)	Remarks
	0811 641 8380	Pliers C19	1		

# Socket, T27x125

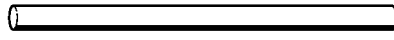


901SW091 GM

# Socket, T27x125

#	Part Number	Description	Quantity	Contains Item(s)	Remarks
	0812 542 2104	Driver bit, 1/4" square drive, T27x125	1		

# Hose 135 mm / 5 5/16"

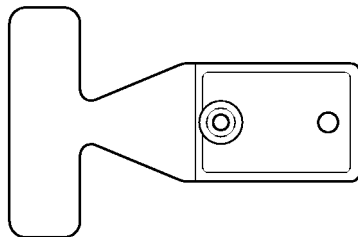


901SW100 GM

# Hose 135 mm / 5 5/16"

#	Part Number	Description	Quantity	Contains Item(s)	Remarks
	1110 141 8600	Hose 135 mm / 5 5/16"	1		

# Setting gauge



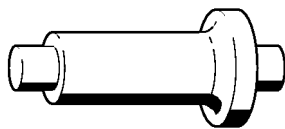
901 SW138 GM

# Setting gauge

#	Part Number	Description	Quantity	Contains Item(s)	Remarks
	1127 890 6400	Setting gauge	1		



# Press arbor

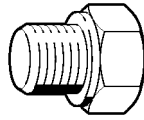


901SW168 GM

# Press arbor

#	Part Number	Description	Quantity	Contains Item(s)	Remarks
	4119 893 7200	Press arbor	1		

# Plug

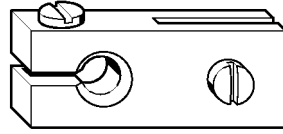


901SW179 GM

# Plug

#	Part Number	Description	Quantity	Contains Item(s)	Remarks
	4221 025 2200	Plug	1		

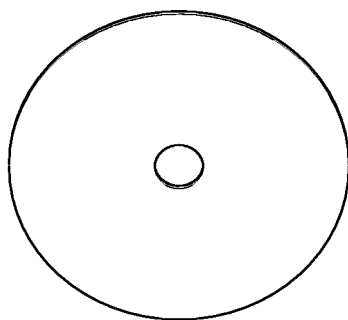
# Dial gauge holder



901SW189 GM

# Dial gauge holder

#	Part Number	Description	Quantity	Contains Item(s)	Remarks
	5910 850 6001	Dial gauge holder	1		



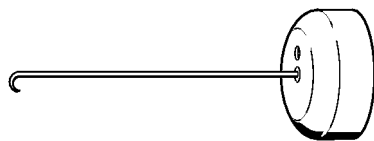
901 SW190 GM

# Test disk

#	Part Number	Description	Quantity	Contains Item(s)	Remarks
	5910 851 6100	Test disk	1		



# Assembly hook

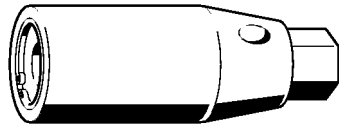


901SW205 GM

# Assembly hook

#	Part Number	Description	Quantity	Contains Item(s)	Remarks
	5910 890 2800	Assembly hook	1		

# Stud puller, M8

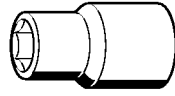


901SW209 GM

# Stud puller, M8

#	Part Number	Description	Quantity	Contains Item(s)	Remarks
	5910 893 0501	Stud puller, M8	1		

# Socket, 13 mm

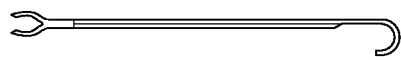


901SW217 GM

# Socket, 13 mm

#	Part Number	Description	Quantity	Contains Item(s)	Remarks
	5910 893 5608	Socket, 13 mm	1		

# Assembly hook



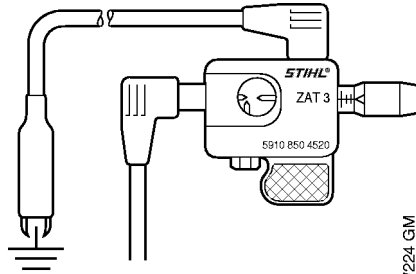
901SW221 GM

# Assembly hook

#	Part Number	Description	Quantity	Contains Item(s)	Remarks
	5910 893 8800	Assembly hook	1		



# Ignition system tester, ZAT 3

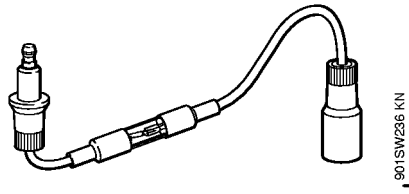


901 SW224 GM

# Ignition system tester, ZAT 3

#	Part Number	Description	Quantity	Contains Item(s)	Remarks
	5910 850 4520	Ignition system tester, ZAT 3	1		

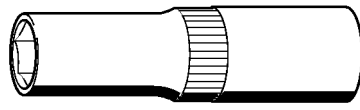
# Ignition system tester, ZAT 4



# Ignition system tester, ZAT 4

#	Part Number	Description	Quantity	Contains Item(s)	Remarks
	5910 850 4503	Ignition system tester, ZAT 4	1		

# Socket, 13 mm, long reach

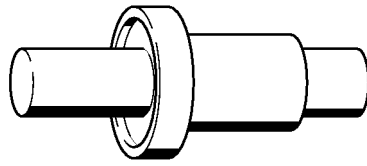


901SW265 KN

# Socket, 13 mm, long reach

#	Part Number	Description	Quantity	Contains Item(s)	Remarks
	5910 893 2804	Socket, 13 mm, long reach	1		

# Press arbor



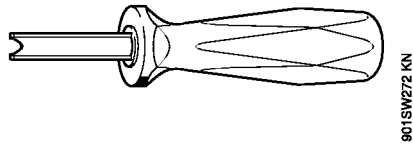
901SW267 KN

# Press arbor

#	Part Number	Description	Quantity	Contains Item(s)	Remarks
	4224 893 7200	Press arbor	1		



# Puller



# Puller

#	Part Number	Description	Quantity	Contains Item(s)	Remarks
	5910 890 4501	Puller	1		

# Locking strip

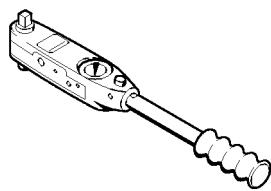


5910-GET-0125-A0

# Locking strip

#	Part Number	Description	Quantity	Contains Item(s)	Remarks
1	0000 893 5903	Locking strip	1		

# Torque wrench with optical/acoustic signal

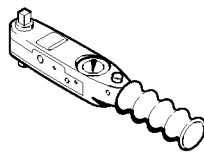


901SW290 KN

# Torque wrench with optical/acoustic signal

#	Part Number	Description	Quantity	Contains Item(s)	Remarks
	5910 890 0312	Torque wrench with optical/acoustic signal	1		

# Torque wrench with optical/acoustic signal



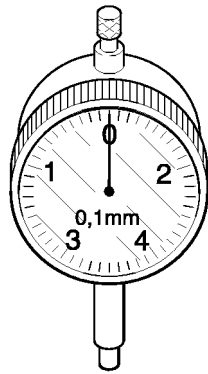
901SW292 KN

# Torque wrench with optical/acoustic signal

#	Part Number	Description	Quantity	Contains Item(s)	Remarks
		Torque wrench	1		



# Dial gauge

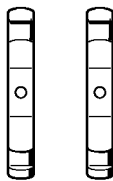


901 SW623 GM

# Dial gauge

#	Part Number	Description	Quantity	Contains Item(s)	Remarks
	0000 890 9100	Dial gauge	1		

# Jaw (profile No. 1 and 2)

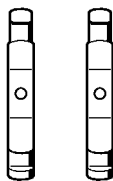


901 SW831 CIM

## Jaw (profile No. 1 and 2)

#	Part Number	Description	Quantity	Contains Item(s)	Remarks
	0000 893 3700	Jaw (profile No.1 and 2)	1		

# Jaw (profile No. 3.1 and 4)

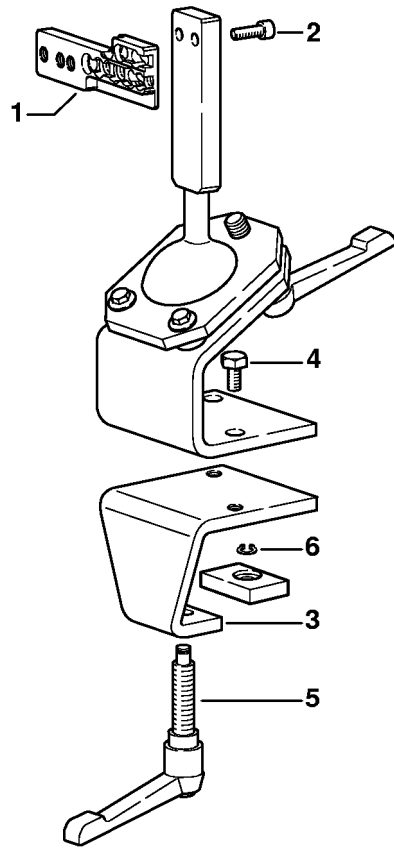


901 SW932 GIM

## Jaw (profile No. 3.1 and 4)

#	Part Number	Description	Quantity	Contains Item(s)	Remarks
	0000 893 3706	Jaw (profile No. 3.1 and 4)	1		

# Assembly stand

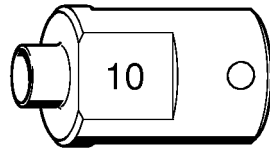


9015W363 SC

# Assembly stand

#	Part Number	Description	Quantity	Contains Item(s)	Remarks
	5910 890 3101	Assembly stand	1	1 - 6	
1	5910 850 1651	Support	1		
2	9045 319 2390	Socket head screw M10x25	2		
3	5910 850 2100	Clamping plate	1	4 - 6	
4	9008 319 2930	Hexagon head screw M12x20	2		
5	5910 890 1901	Clamp lever	1		
6	9455 621 0850	Circlip 10x1	1		



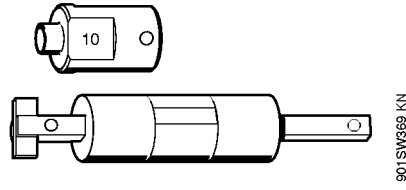


901SW66 KN

# Sleeve

#	Part Number	Description	Quantity	Contains Item(s)	Remarks
	5910 893 1707	Sleeve	1		

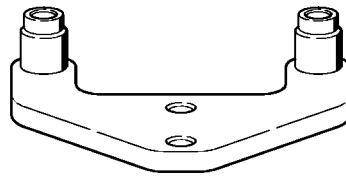
# Installing tool, 10



# Installing tool, 10

#	Part Number	Description	Quantity	Contains Item(s)	Remarks
	5910 890 2210	Installing tool, 10	1		
	5910 893 1707	Sleeve	1		

# Clamping plate



9015W388 KN

# Clamping plate

#	Part Number	Description	Quantity	Contains Item(s)	Remarks
	4238 890 2100	Clamping plate	1		

# Press sleeve



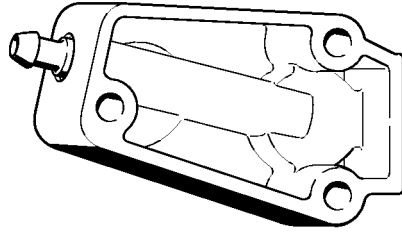
901SW384 KN

# Press sleeve

#	Part Number	Description	Quantity	Contains Item(s)	Remarks
	4238 893 2400	Press sleeve	1		



# Flange

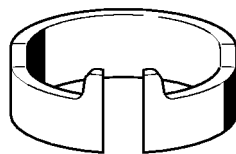


901SW/885 KN

# Flange

#	Part Number	Description	Quantity	Contains Item(s)	Remarks
	4238 890 1200	Flange	1		

# Ring



901SV386 KN

# Ring

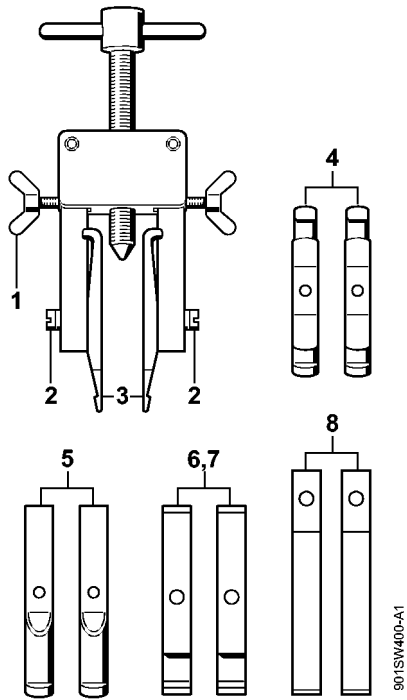
#	Part Number	Description	Quantity	Contains Item(s)	Remarks
	4238 893 7000	Ring	1		



# Puller

#	Part Number	Description	Quantity	Contains Item(s)	Remarks
1	5910 890 4505	Puller	1	2 - 11	
2	5910 893 1712	Sleeve	1		
3	5910 895 0700	Extension arm	3		
4	0000 958 0206	Washer	1		
5	9455 621 2150	Circlip 20x1.2	1		
6	9010 346 2545	Hexagon head screw DIN933-M10x1x95-10.9	1		
7	9022 346 1200	Spline screw IS-M5x145x60-10.9	3		
8	9022 346 0852	Spline screw IS-M4x145x60-10.9	1		
9	9646 945 0160	O-ring 4x2	4		
10	5910 895 0900	Guide piece D8	1		
11	5910 895 0901	Guide piece D10	1		

# Puller

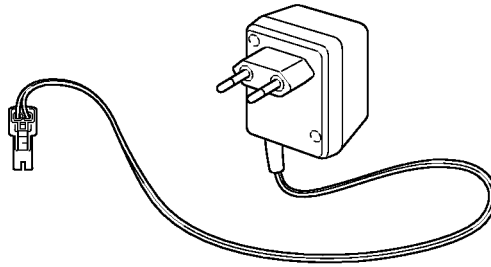


# Puller

#	Part Number	Description	Quantity	Contains Item(s)	Remarks
	5910 890 4400	Puller	1	1 - 8	
1	9157 691 0980	Wing screw M5x16	2		
2	9044 319 0980	Pan head screw M5x16	2		
3	0000 893 3700	Jaw (profile No. 1 and 2)	2		
4	0000 893 3706	Jaw (profile No. 3.1 and 4)	2		
5	0000 893 3711	Jaw (profile No. 6)	2		
6	0000 893 3703	Jaw (profile No. 7)	2		
7	0000 893 3704	Jaw (profile No. 8)	2		
8	0000 893 3707	Jaw (profile No. 9)	2		



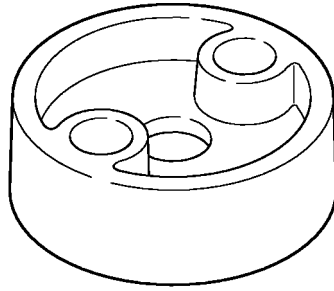
# Power supply



901 SW445 GM

# Power supply

#	Part Number	Description	Quantity	Contains Item(s)	Remarks
	4238 400 8500	Power supply	1		

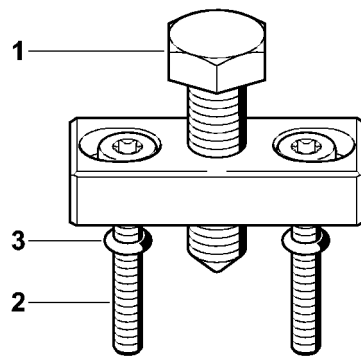


901 SW446 GM

# Spacer

#	Part Number	Description	Quantity	Contains Item(s)	Remarks
	4238 894 1100	Spacer	1		

# Puller

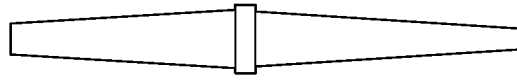


901 SW448 GM

# Puller

#	Part Number	Description	Quantity	Contains Item(s)	Remarks
	5910 890 4504	Puller	1		
1	0000 951 0900	Hexagon head screw	1		
2	9022 341 1080	Spline screw IS-M5x35	2		
3	9646 945 0160	O-ring 4x2	2		

# Nipple

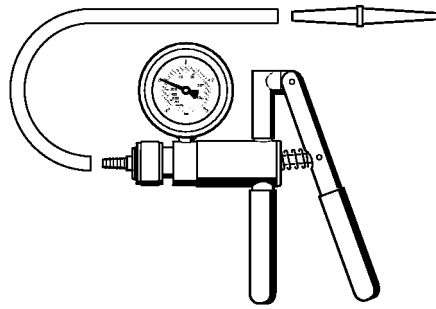


9015W496 GM

# Nipple

#	Part Number	Description	Quantity	Contains Item(s)	Remarks
	0000 855 9201	Nipple	1		



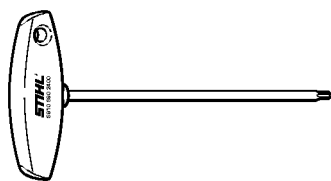


901SW486 GM

# Pump

#	Part Number	Description	Quantity	Contains Item(s)	Remarks
	0000 850 1300	Pump	1		
	0000 855 9201	Nipple	1		
	0000 855 0100	Hose	1		

# Screwdriver, T27x150

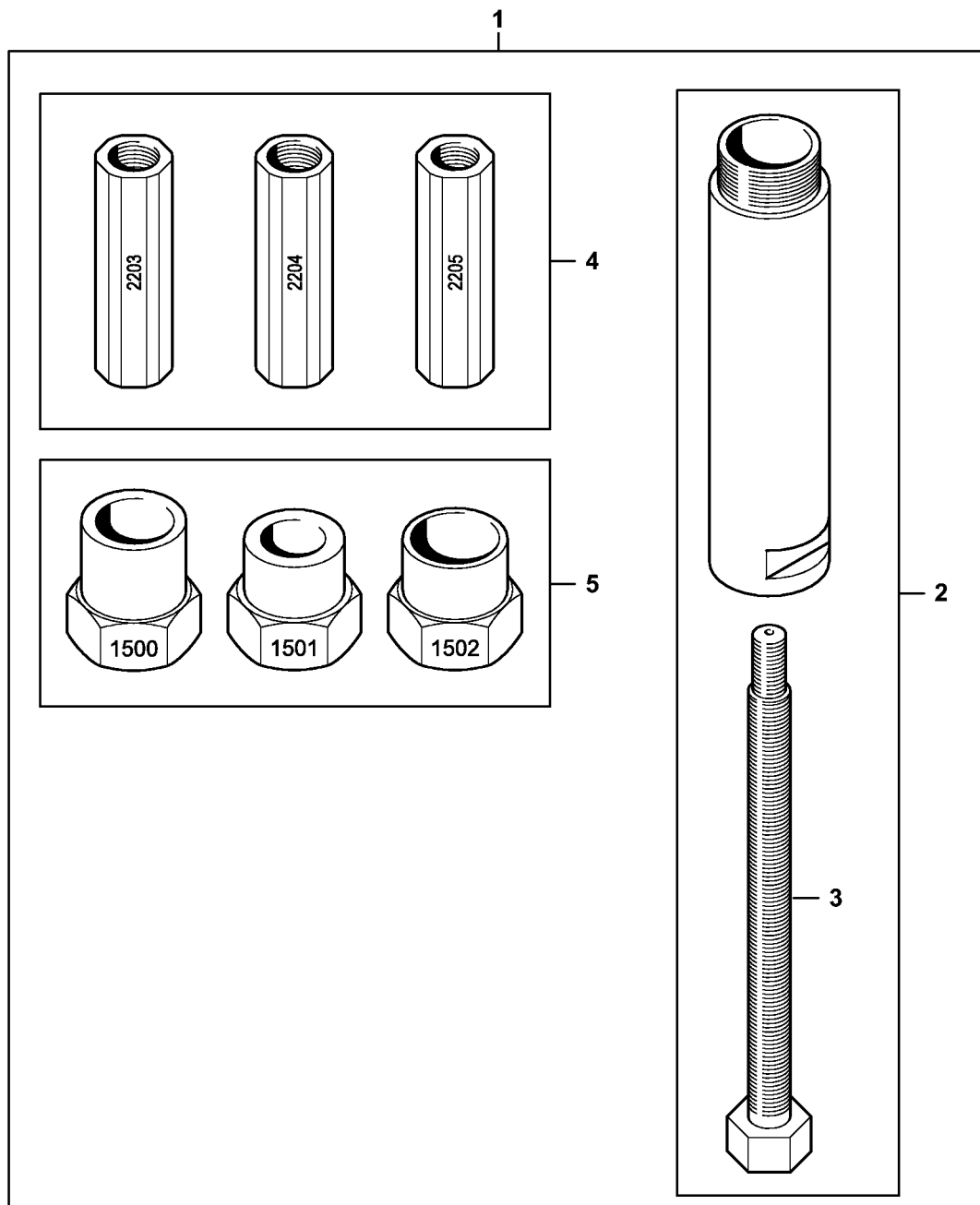


901SW575 KN

# Screwdriver, T27x150

#	Part Number	Description	Quantity	Contains Item(s)	Remarks
	5910 890 2400	Screwdriver, T27x150	1		

# Installing tool AS

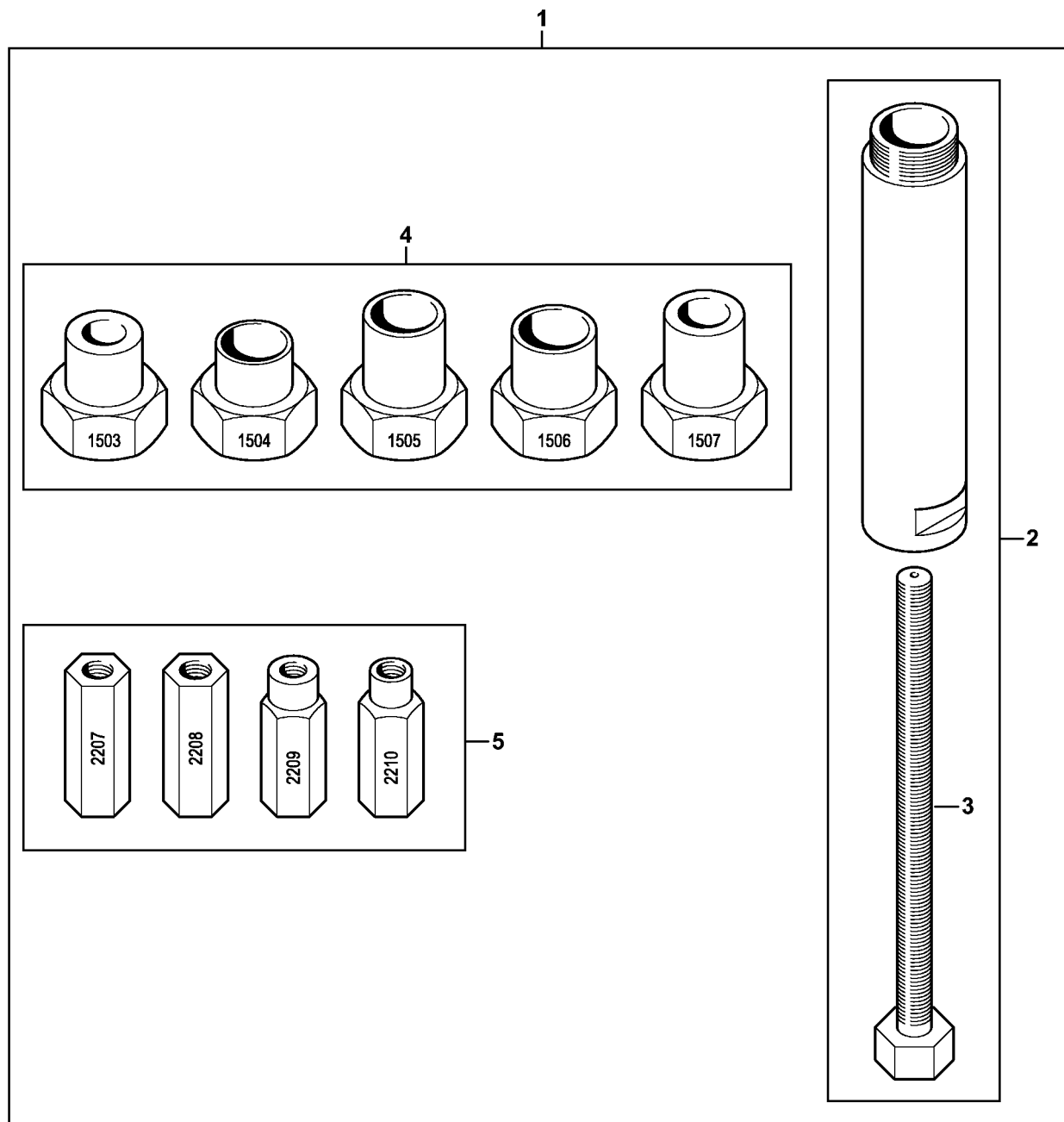


5610-GET-0129-A0

# Installing tool AS

#	Part Number	Description	Quantity	Contains Item(s)	Remarks
1	5910 850 5220	Installing tool AS	1	2 - 5	<a href="http://stihl.com/sxyRs8">http://stihl.com/sxyRs8</a>
2	5910 890 8401	Spindle AS	1	3	
3	5910 893 8503	Spindle M8x1-LH AS	1		
4	5910 007 1009	Set of screw sleeves AS	1		
5	5910 007 1007	Adapter kit AS	1		

# Installing tool LS



9510-GET-0130-A0

# Installing tool LS

#	Part Number	Description	Quantity	Contains Item(s)	Remarks
1	5910 850 5221	Installing tool LS	1	2 - 5	<a href="http://stihl.com/sxyRs8">http://stihl.com/sxyRs8</a>
2	5910 890 8402	Spindle LS	1	3	
3	5910 893 8504	Spindle M8x1 LS	1		
4	5910 007 1008	Adapter kit LS	1		
5	5910 007 1010	Set of screw sleeves LS	1		