

MSA 140 C-B

Spare Parts List

02/08/2023

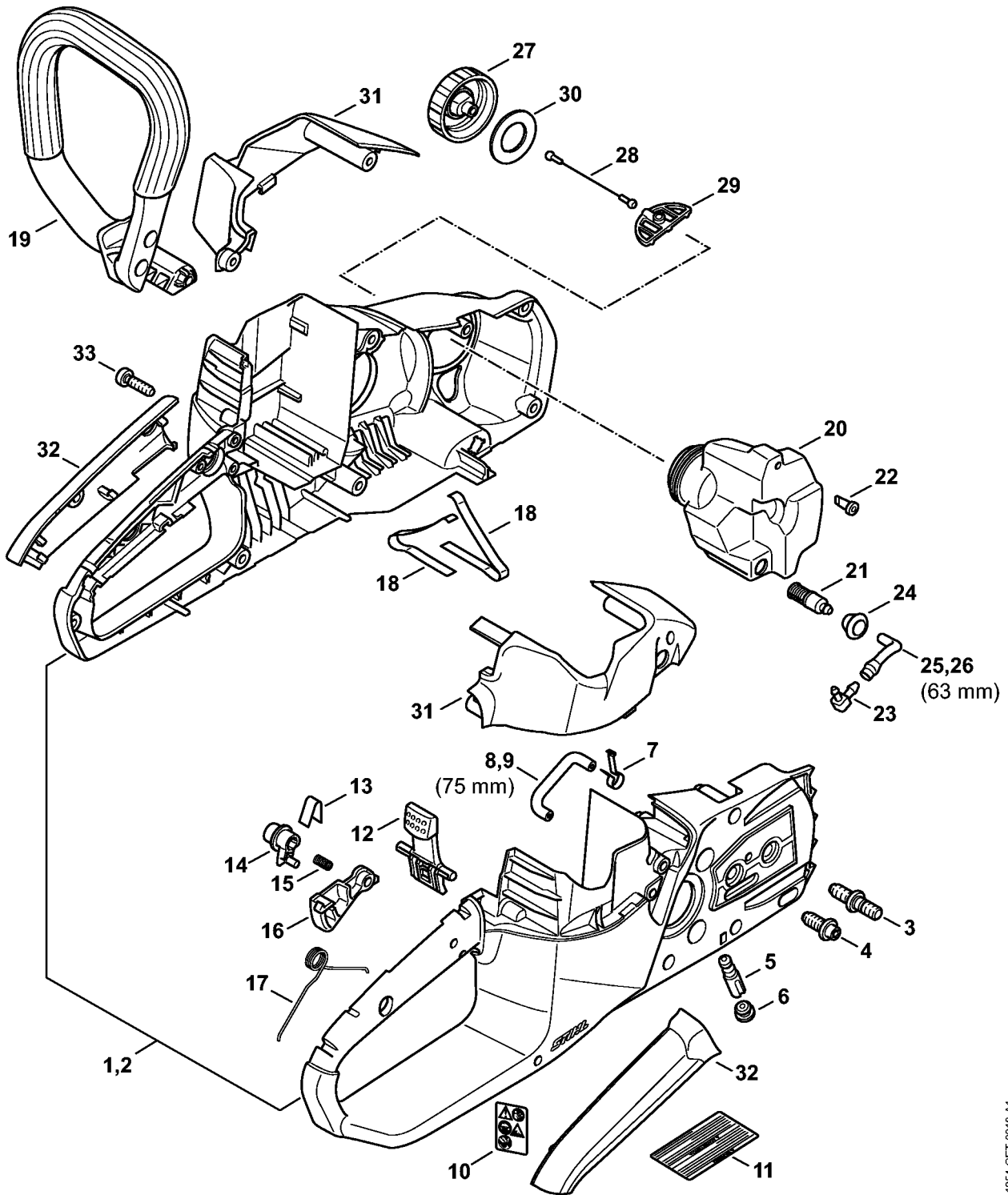
Indonesia, English

Quick chain tensioner

Contents

Handle housing, Shroud	2
Electric motor, Electronic module, Chain sprocket cover 443746233	5
Electric motor, Electronic module, Chain sprocket cover from serial number 443746234	7
Serial number	9
Tightening torques	11
Miscellaneous lubricants and greases	13
Cleaning products	15
Socket, T27x125	17
Torque wrench with optical/acoustic signal	19
Torque wrench	21
Punchdown tool	23
Screwdriver, T27x150	25

Handle housing, Shroud



1254-GET-0016-A1

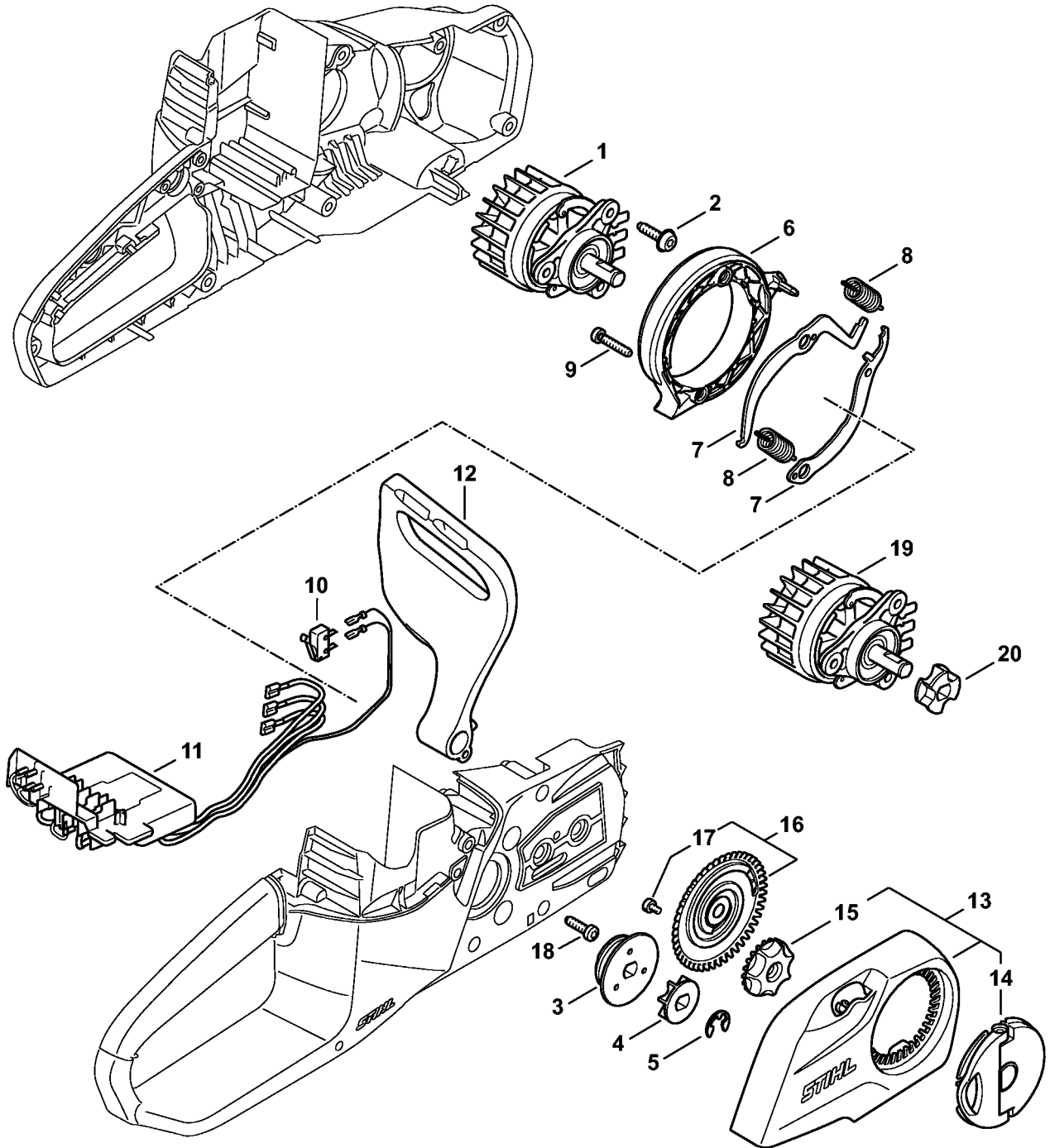
Handle housing, Shroud

#	Part Number	Description	Quantity	Contains Item(s)	Remarks
1	1254 790 1013	Handle housing	1	3 - 10	
3	1123 664 2400	Collar screw	1		
4	1123 664 2402	Collar screw	1		
5	1123 640 3200	Oil pump 0.55	1		
6	1122 353 9200	Grommet	1		
7	1254 791 3101	Spring	1		
8	0000 930 2803	Hose 3.1x5.7 mm x 1 m, R3	1		
9	0712 923 8004	Hose 3.1x5.7 mm x 10 m, R3	1		
10	0000 967 7336	Warning pictogram MSA	1		
12	4522 430 9800	Battery latch	1	13	
13	0000 997 2201	Spring	1		
14	1250 435 7800	Safety switch	1		
15	0000 997 0603	Compression spring	1		
16	1254 435 2400	Trigger switch	1		
17	1254 182 4500	Torsion spring	1		
18	4522 791 3100	Spring	2		
19	1254 791 1700	Handlebar	1		
20	1254 350 4400	Oil tank	1	21 - 26	
21	1123 640 3800	Pickup body	1		
22	0747 313 6810	Valve	1		
23	4226 122 3900	Elbow connector	1		
24	4134 123 7500	Grommet	1		
25	0000 930 2803	Hose 3.1x5.7 mm x 1 m, R3	1		
26	0712 923 8004	Hose 3.1x5.7 mm x 10 m, R3	1		
27	1130 350 0500	Filler cap	1	28 - 30	
28	0000 350 0905	Rope	1		
29	0000 353 0605	Hook	1		

Handle housing, Shroud

#	Part Number	Description	Quantity	Contains Item(s)	Remarks
30	0000 359 1240	Sealing ring	1		
31	1254 080 1600	Shroud	1		
32	1254 790 0640	Handle molding	1		
33	9074 477 4132	Pan head self-tapping screw IS-P5x18	8		

Electric motor, Electronic module, Chain sprocket cover 443746233

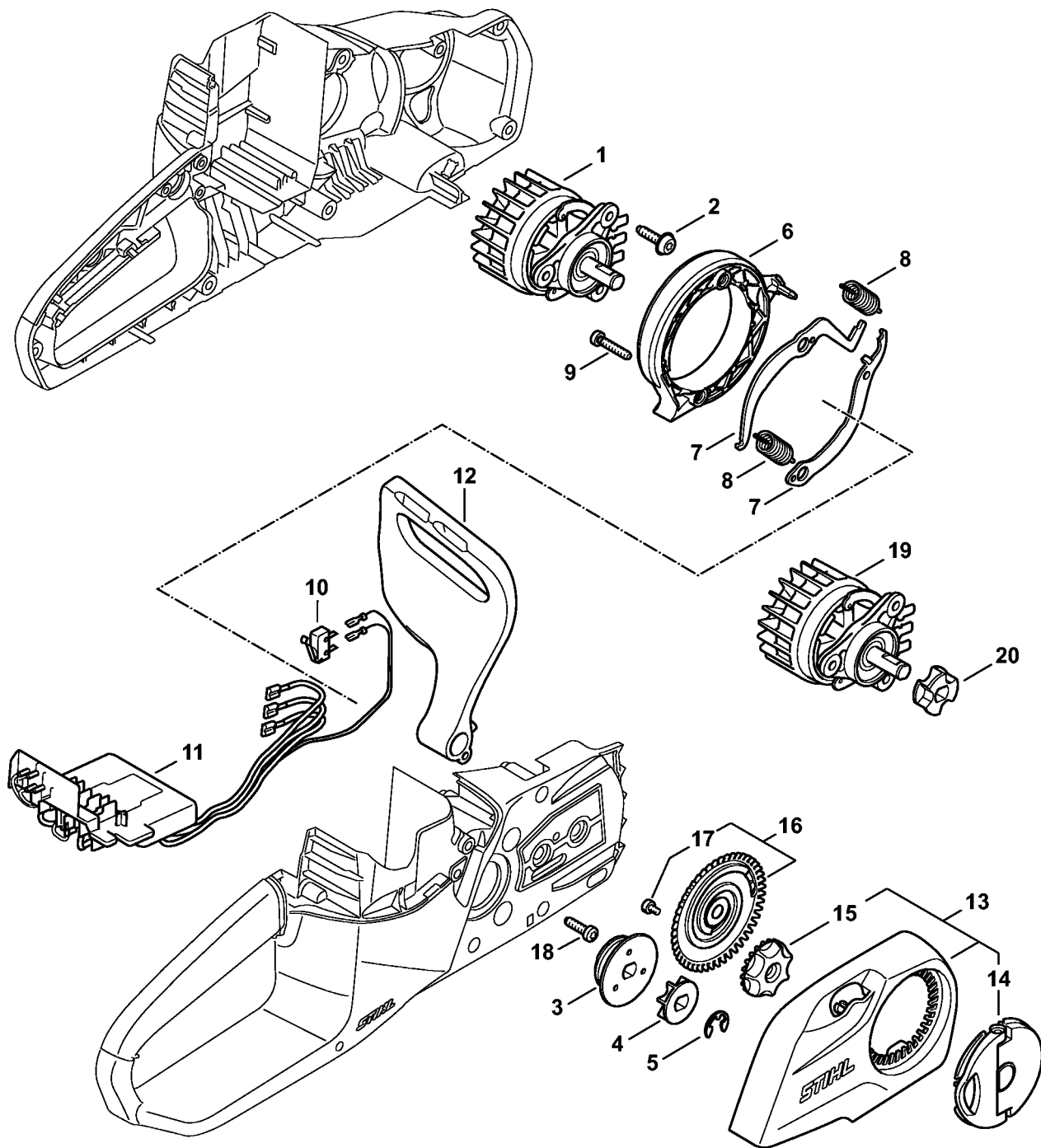


1254-GET-0020-A0

Electric motor, Electronic module, Chain sprocket cover 443746233

#	Part Number	Description	Quantity	Contains Item(s)	Remarks
1	1254 600 0241	Electric motor V/ Hz Above Serial Number: 439573231	1		
2	0000 951 1100	Screw IS-D5x20	3		
3	1254 647 2000	Worm	1		
4	1254 642 1200	Chain sprocket 1/4" P 6T Above Serial Number: 439573231	1		
5	9460 624 0801	E-clip 8x1.3	1		
6	1254 602 0300	Spiral housing	1		
7	1254 160 5000	Lever	1		
8	1254 162 7900	Tension spring	2		
9	9074 477 4142	Pan head self-tapping screw IS-P5x25	2		
10	1250 430 0500	Switch	2		
11	1254 430 1440	Electronic module	1		
12	1254 790 9100	Hand guard	1		
13	1254 640 1701	Chain sprocket cover	1	14, 15	
14	1121 660 1000	Wing nut	1		
15	1123 648 2202	Adjusting wheel	1		
16	1123 660 3001	Tensioning gear	1	17	
17	9041 319 0600	Pan head screw M4x5	1		
18	9074 477 4132	Pan head self-tapping screw IS-P5x18	4		
19	1254 600 0240	Electric motor Up to Serial Number: 439567822	1		
20	4857 642 1202	Chain sprocket 1/4" Picco 6T Up to Serial Number: 439567822	1		

Electric motor, Electronic module, Chain sprocket cover from serial number 443746234

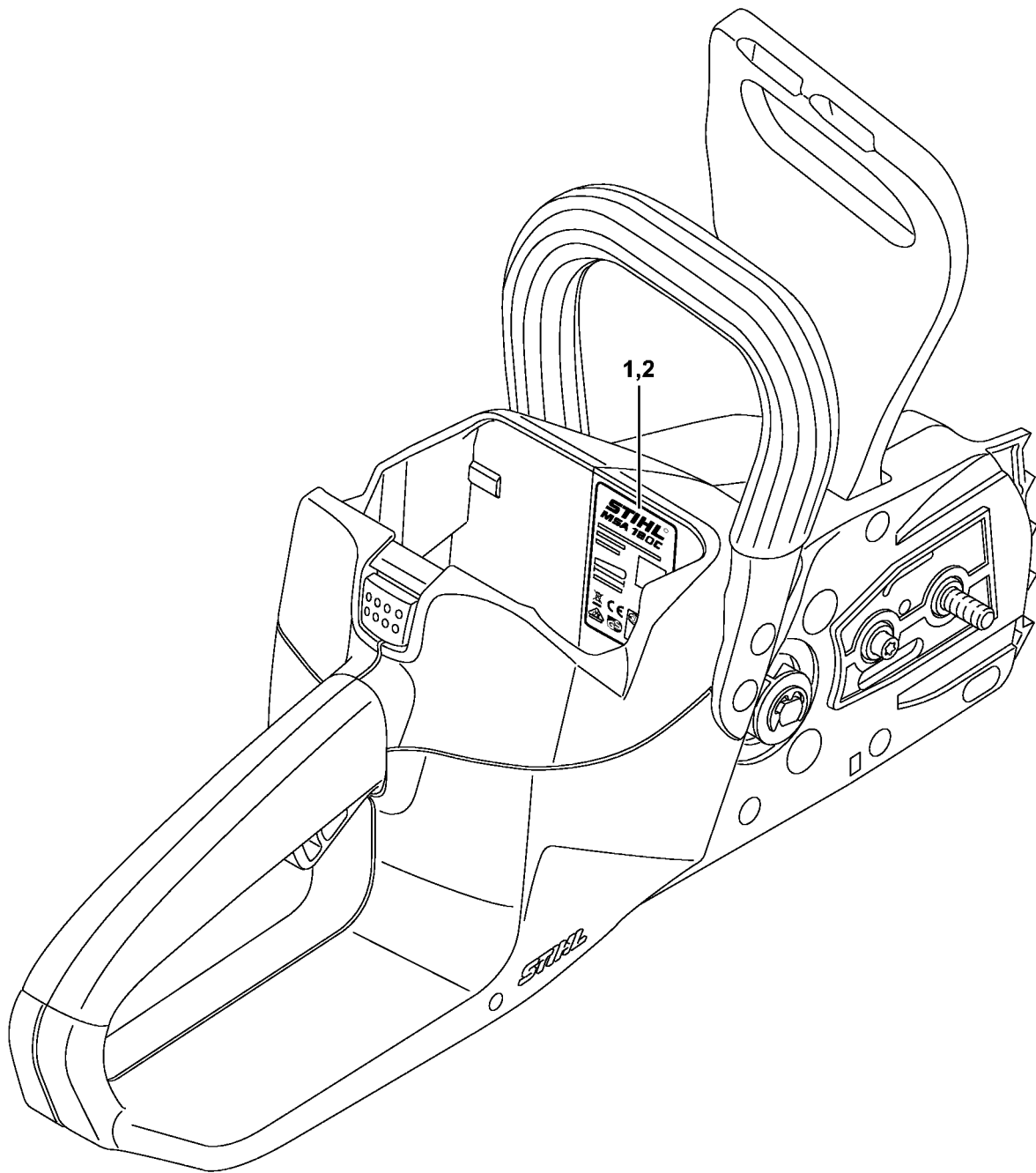


1254-GET-0020-A0

Electric motor, Electronic module, Chain sprocket cover from serial number 443746234

#	Part Number	Description	Quantity	Contains Item(s)	Remarks
1	1254 600 0270	Electric motor Above Serial Number: 439573231	1		
2	0000 951 1100	Screw IS-D5x20	3		
3	1254 647 2000	Worm	1		
4	1254 642 1200	Chain sprocket 1/4" P 6T Above Serial Number: 439573231	1		
5	9460 624 0801	E-clip 8x1.3	1		
6	1254 602 0300	Spiral housing	1		
7	1254 160 5000	Lever	1		
8	1254 162 7900	Tension spring	2		
9	9074 477 4142	Pan head self-tapping screw IS-P5x25	2		
10	1250 430 0500	Switch	2		
11	1254 430 1441	Electronic module	1		
12	1254 790 9100	Hand guard	1		
13	1254 640 1701	Chain sprocket cover	1	14, 15	
14	1121 660 1000	Wing nut	1		
15	1123 648 2202	Adjusting wheel	1		
16	1123 660 3001	Tensioning gear	1	17	
17	9041 319 0600	Pan head screw M4x5	1		
18	9074 477 4132	Pan head self-tapping screw IS-P5x18	4		
19	1254 600 0240	Electric motor Up to Serial Number: 439567822	1		
20	4857 642 1202	Chain sprocket 1/4" Picco 6T Up to Serial Number: 439567822	1		

Serial number

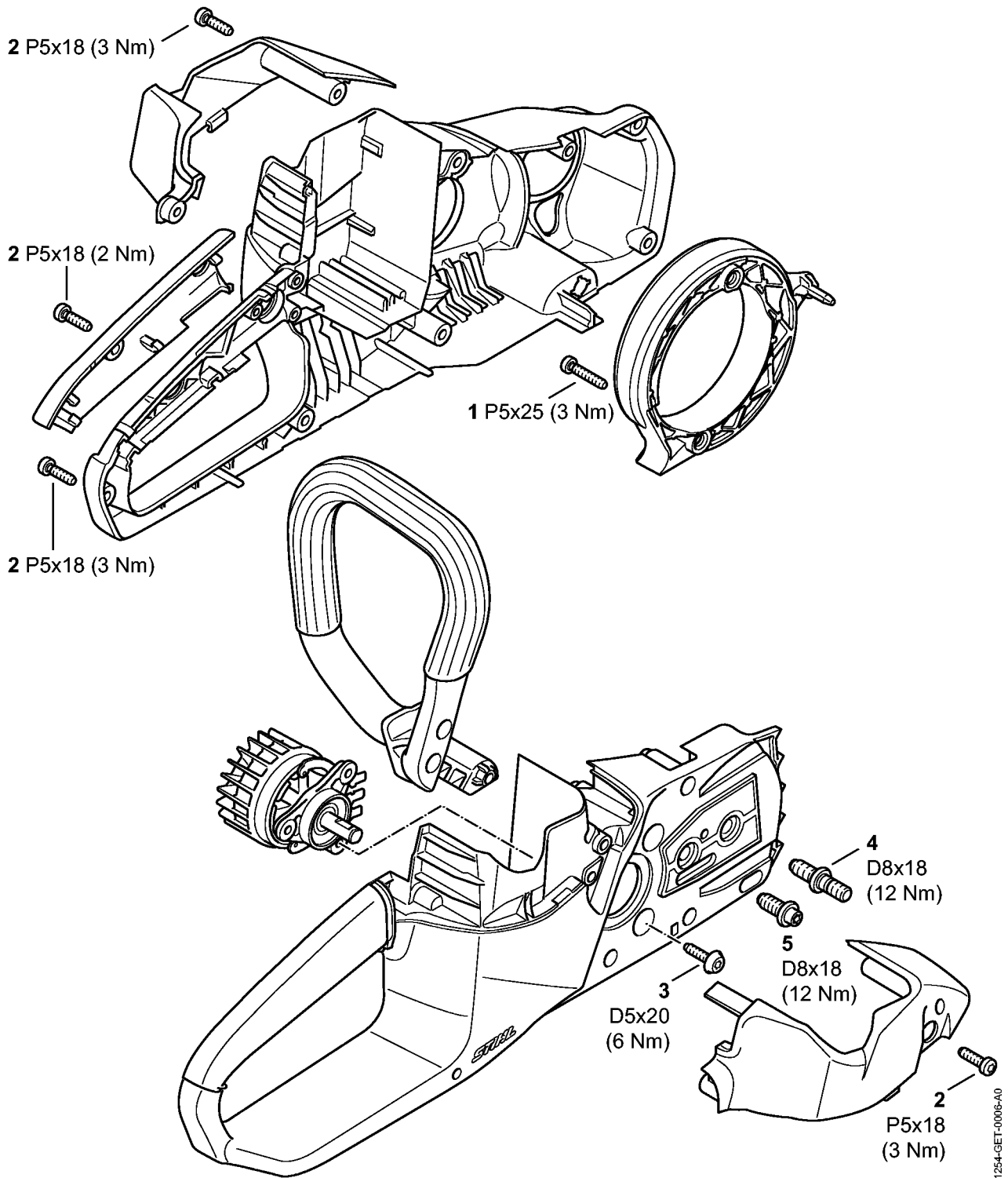


1254-GET-0005-A0

Serial number

#	Part Number	Description	Quantity	Contains Item(s)	Remarks
1		Position of serial number	1		
2	0000 967 3447	Instruction label Serial number	1		

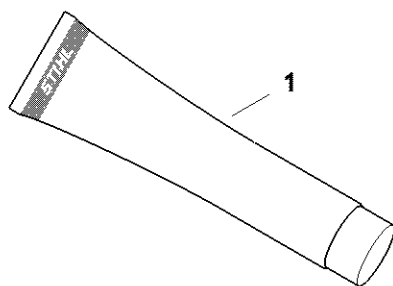
Tightening torques



Tightening torques

#	Part Number	Description	Quantity	Contains Item(s)	Remarks
1	9074 477 4142	Pan head self-tapping screw IS-P5x25	2		
2	9074 477 4132	Pan head self-tapping screw IS-P5x18	12		
3	0000 951 1100	Screw IS-D5x20	3		
4	1123 664 2400	Collar screw	1		
5	1123 664 2402	Collar screw	1		

Miscellaneous lubricants and greases

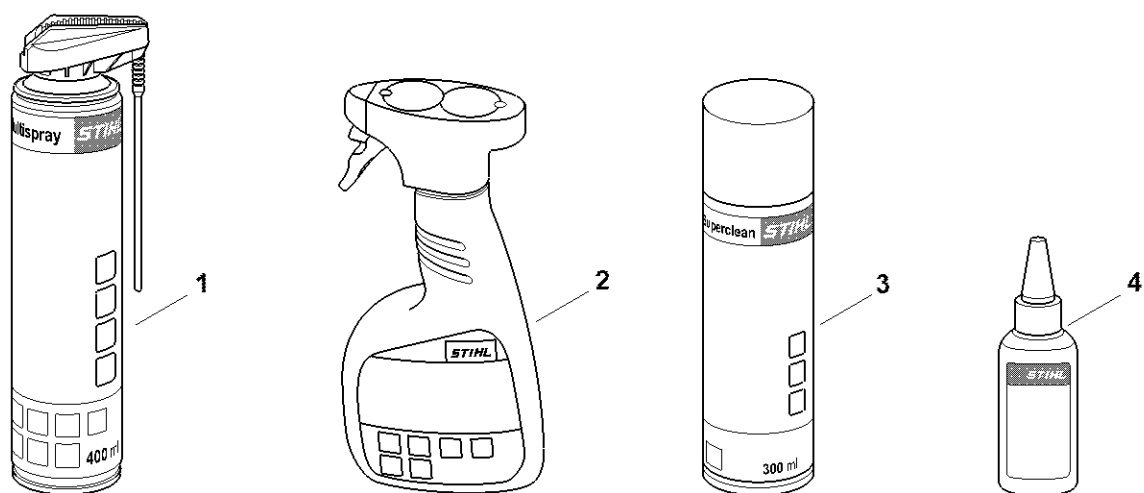


0000-GET-0161-A0

Miscellaneous lubricants and greases

#	Part Number	Description	Quantity	Contains Item(s)	Remarks
1	0781 120 1021	STIHL Multilub 40g tube	1		
1	0781 120 1109	Multipurpose grease 80 g	1		
1	0781 120 1110	Multipurpose grease 225 g	1		
2	0781 957 9000	Press fluid OH 723	1		

Cleaning products

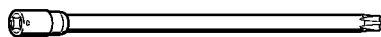


0000-GET-0171-A0

Cleaning products

#	Part Number	Description	Quantity	Contains Item(s)	Remarks
1	0730 411 7002	Multispray 50 ml	1		
1	0730 411 7000	Multispray	1		
2	0000 881 9400	VarioClean 500 ml	1		
2	0000 881 9409	Special cleaner 5 l	1		
3	0782 420 1001	SuperClean 50 ml	1		
3	0782 420 1002	SuperClean 300 ml	1		
4	0782 516 8500	Multioil Bio 50 ml	1		

Socket, T27x125

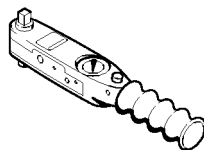


901SW091 GM

Socket, T27x125

#	Part Number	Description	Quantity	Contains Item(s)	Remarks
	0812 542 2104	Driver bit, 1/4" square drive, T27x125	1		

Torque wrench with optical/acoustic signal

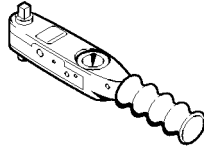


901SW292 KN

Torque wrench with optical/acoustic signal

#	Part Number	Description	Quantity	Contains Item(s)	Remarks
		Torque wrench	1		

Torque wrench

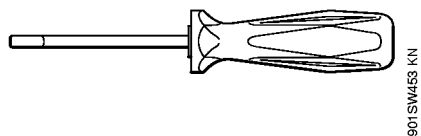


901SW293 KN

Torque wrench

#	Part Number	Description	Quantity	Contains Item(s)	Remarks
	5910 890 0301	Torque wrench	1		

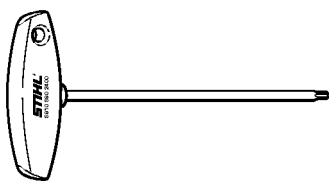
Punchdown tool



Punchdown tool

#	Part Number	Description	Quantity	Contains Item(s)	Remarks
	5910 890 4000	Punchdown tool	1		

Screwdriver, T27x150



901SW575 KN

Screwdriver, T27x150

#	Part Number	Description	Quantity	Contains Item(s)	Remarks
	5910 890 2400	Screwdriver, T27x150	1		