

MS 720

Spare Parts List

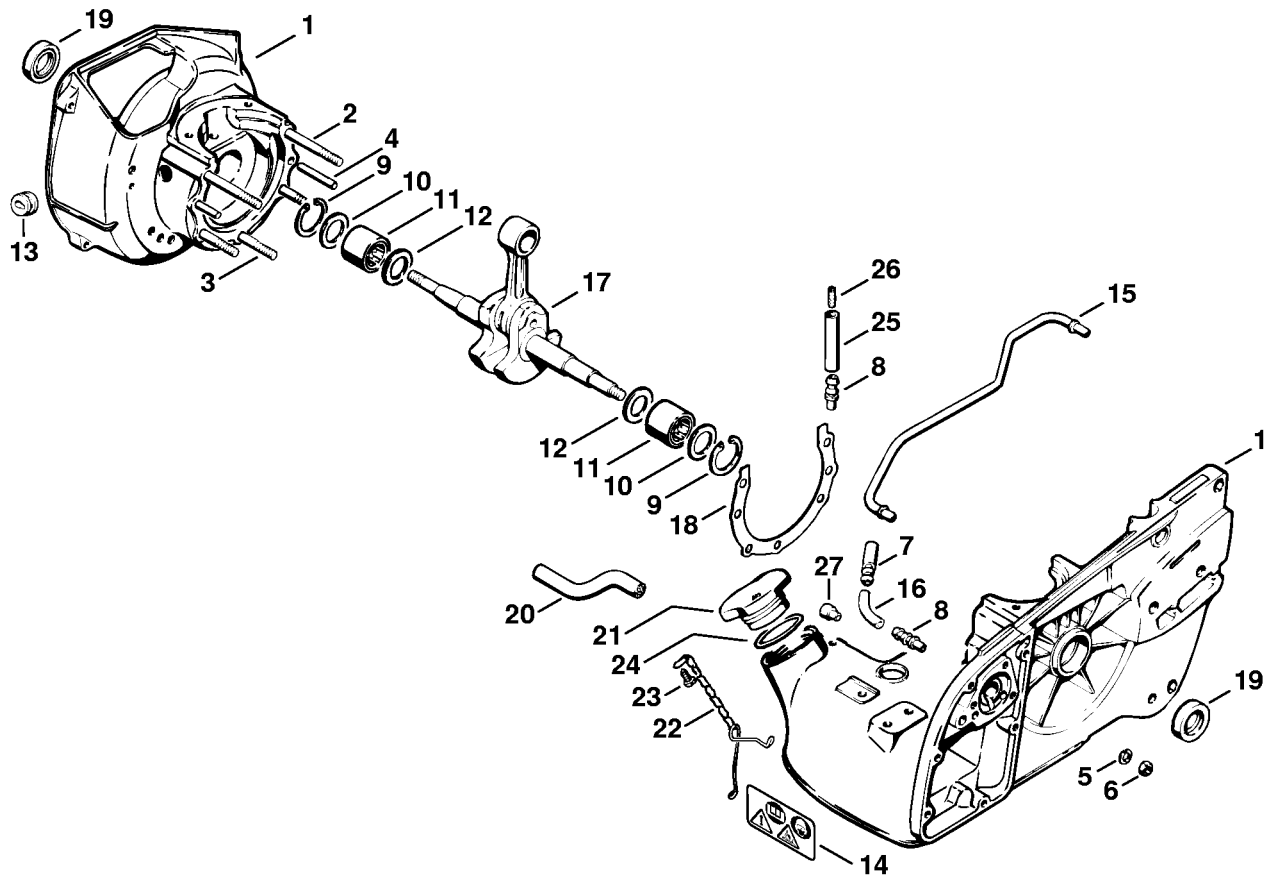
02/08/2023

Indonesia, English

Contents

Crankcase	2
Cylinder	5
Rewind starter	8
Ignition system	10
Clutch, Chain sprocket cover	13
Oil pump	16
Speed governor, Carburetor	19
Shroud, Air filter	21
Carburetor LB-S9	23
Handle, Handlebar	26
Helper's handle, Chain scabbard	29
Tools, Extras	32
Serial number	34
Miscellaneous lubricants and greases	36
Miscellaneous lubricants and greases	38
Cleaning products	40
Cleaning products	42

Crankcase



549ET000 SC

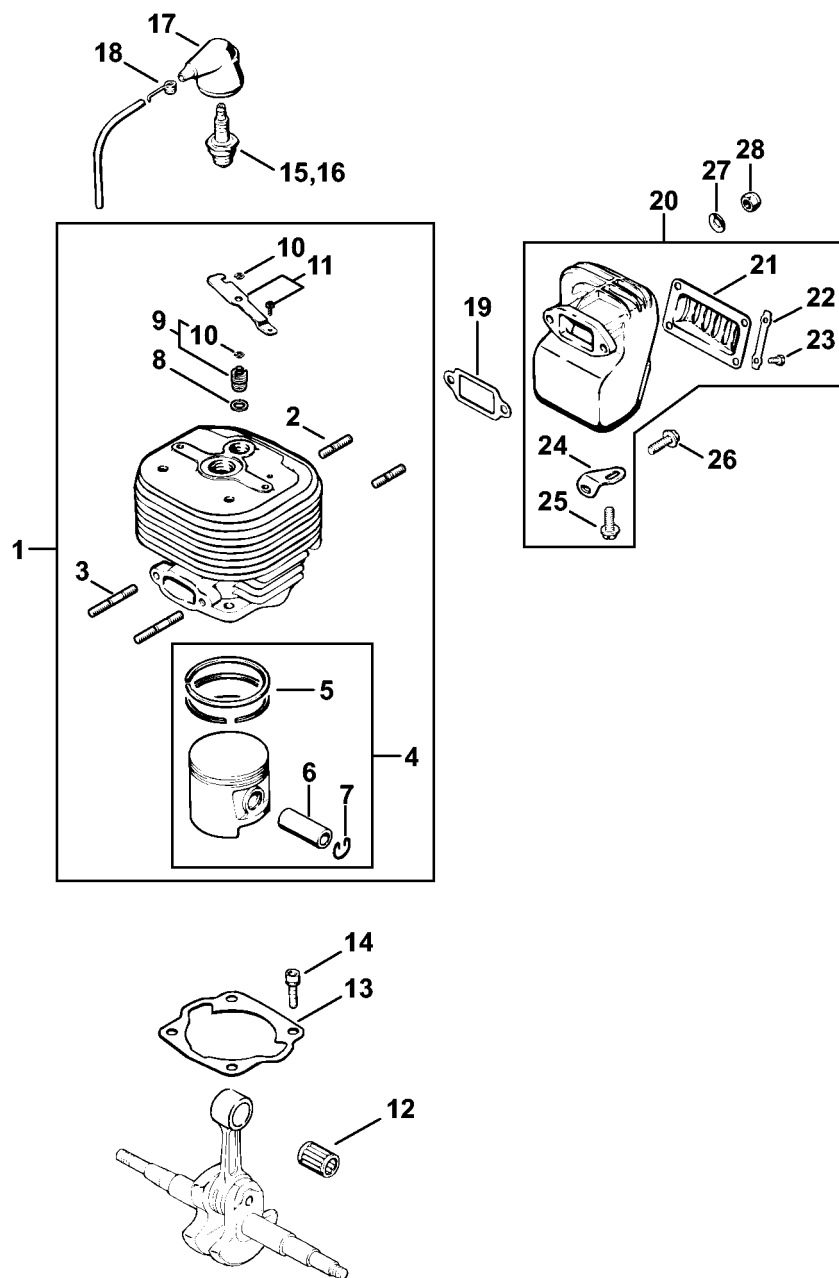
Crankcase

#	Part Number	Description	Quantity	Contains Item(s)	Remarks
1	1106 020 2100	Crankcase	1	2 - 15	
2	9121 347 1420	Stud M6x45	2		
3	9121 347 1370	Stud M6x30	3		
4	9371 470 3220	Cylindrical pin 6x36	2		
5	9321 630 0140	Spring washer A6	5		
6	9210 319 0900	Hexagon nut M6	5		
7	0000 988 5217	Connector	1		
8	0000 988 5200	Connector	2		
9	9456 621 3310	Circlip 30x1.2	2		
10	0000 958 2004	Washer	2		
11	0000 993 0900	Needle bearing 18x30x24	2		
12	1106 036 9000	Check ring	2		
13	0000 989 0810	Grommet	1		
14	0000 967 7247	Warning pictogram MS	1		
15	1106 641 3200	Oil line	1		
16	0000 989 5200	Hose 43 mm / 1 3/4"	1		
17	1106 030 0400	Crankshaft	1		
18	1106 029 1210	Gasket	1		
19	9640 003 1981	Oil seal 18x30x7	2		
20	1106 029 8901	Insulating rod	1		
21	1107 350 0500	Filler cap	1	22 - 24	
22	1117 350 0905	Filler cap retainer	1		
23	9099 021 2360	Self-tapping screw 3.5x9.5	1		
24	9645 948 4050	O-ring 36x3	1		
25	1108 350 5800	Tank vent	1	26	
26	0000 951 5815	Grub screw 1/4"	1		
27	1106 640 9000	Strainer flange	1		

Crankcase

#	Part Number	Description	Quantity	Contains Item(s)	Remarks
	1106 007 1050	Set of gaskets	1	18, 19	

Cylinder



1106-GET-0001-A0

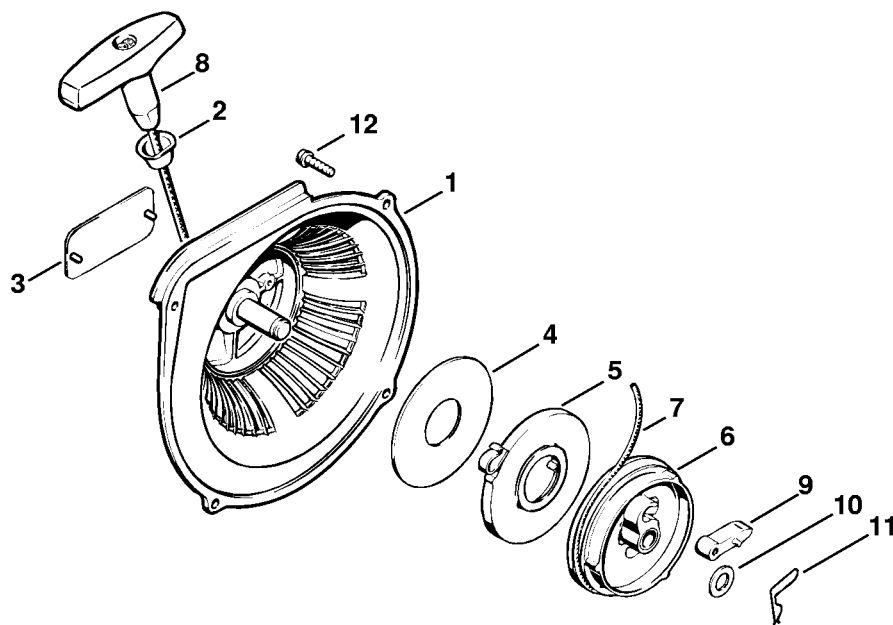
Cylinder

#	Part Number	Description	Quantity	Contains Item(s)	Remarks
1	1106 020 1204	Cylinder with piston Ø 58 mm	1	2 - 12	
2	9121 347 1310	Stud M6x18	2		
3	9121 347 1380	Stud M6x35	2		
4	1106 030 2000	Piston Ø 58 mm	1	5 - 7	
5	1106 034 3003	Piston ring Ø 58x1.5 mm	2		
6	1106 034 1503	Piston pin 15x9.5x42	1		
7	9462 650 1500	Snap ring 15	2		
8	9636 815 0640	Sealing ring 8x12	1		
9	1106 020 9400	Decompression valve	1	10	
10	9460 624 0320	E-clip 3.2	2		
11	1106 020 9000	Flat spring	1		
12	9512 003 4080	Needle cage 15x19x19.5	1		
13	1106 029 2300	Cylinder gasket	1		
14	9036 341 1350	Socket head screw M6x25	4		
15	1110 400 7005	Spark plug Bosch WSR 6 F	1		
16	0000 400 7000	Spark plug NGK BPMR7A	1		
17	1110 405 1000	Spark plug boot	1		
18	0000 998 0603	Torsion spring	1		
19	1106 149 0600	Muffler gasket	1		
20	1106 140 0502	Muffler	1	21 - 25	
21	1106 145 2900	Muffler cover	1		
22	1106 148 3900	Locking plate	2		
23	9008 319 0650	Hexagon head screw M4x10	4		
24	1106 146 8000	Bracket	1		
25	9044 319 0980	Pan head screw M5x16	1		
26	9044 319 0980	Pan head screw M5x16	1		
27	9486 648 0200	Cup spring 12.5	2		

Cylinder

#	Part Number	Description	Quantity	Contains Item(s)	Remarks
28	9214 320 0900	Lock nut M6	2		
	1106 007 1050	Set of gaskets	1	14, 19	

Rewind starter

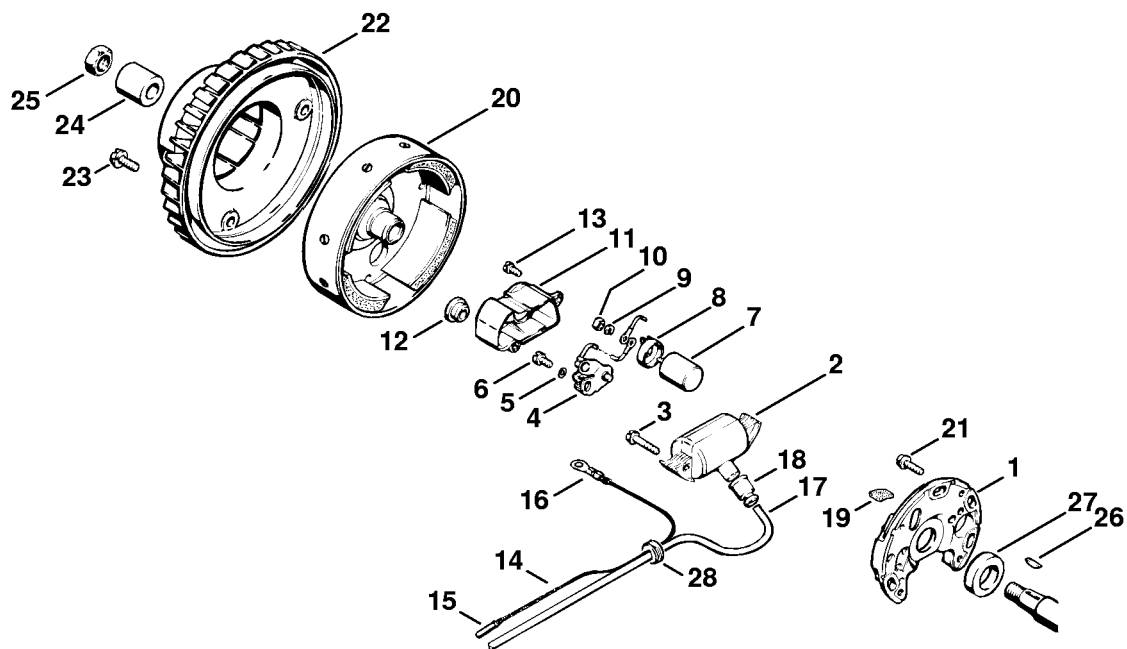


549ET002_SC

Rewind starter

#	Part Number	Description	Quantity	Contains Item(s)	Remarks
	1106 080 2802	Fan cover with rewind starter	1	1 - 11	
1	1106 080 2002	Fan housing	1	2, 3	
2	1110 084 9102	Bushing	1		
3	0000 967 2035	Nameplate STIHL	1		
4	1106 195 9015	Washer	1		
5	1117 190 0601	Rewind spring	1		
6	1117 190 1011	Rope rotor	1		
7	1107 195 8200	Starter rope Ø 4.5x1000 mm	1		
	0000 930 2200	Starter rope Ø 4.5 mm x 30.5 m	1		
	0000 930 2213	Starter rope Ø 4.5 mm x 60.8 m	1		
8	1121 195 3400	Starter grip	1		
9	1124 195 7200	Pawl	1		
10	1118 162 8935	Washer	1		
11	1117 195 3500	Spring	1		
12	9048 216 1010	Pan head screw M5x18	4		

Ignition system



549ET003 SC

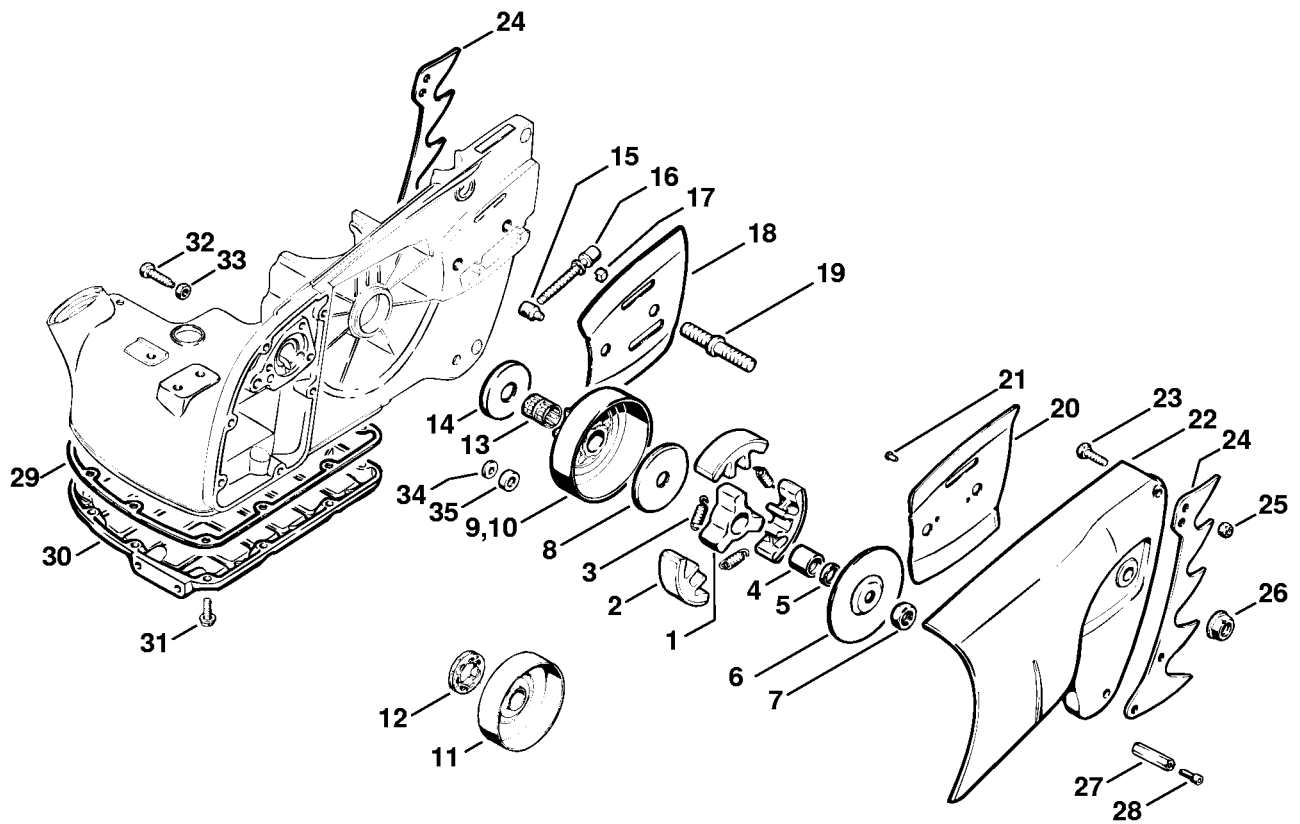
Ignition system

#	Part Number	Description	Quantity	Contains Item(s)	Remarks
	1106 400 0512	Magneto	1	1 - 20	
1	1106 400 0705	Stator plate	1	2 - 19	
2	1106 404 3210	Ignition coil	1		
3	9110 313 0700	Flat head screw M4x19	2		
4	1106 400 2001	Set of points	1		
5	9322 630 0100	Spring washer 4	1		
6	9041 216 0630	Pan head screw M4x8	1		
7	1115 404 3400	Capacitor	1		
8	1115 404 8800	Cap	1		
9	9321 630 0080	Spring washer 3	1		
10	9210 260 0400	Hexagon nut M3	1		
11	1106 400 8201	Dust cap	1	12	
12	1106 404 8300	Plug	1		
13	9047 319 0360	Pan head screw M3x10	2		
14	1106 442 1201	Short circuit wire	1	15, 16	
15	1110 442 7000	Contact sleeve	1		
16	0751 030 8951	Terminal socket A3-1	1		
17		Ignition lead 375 mm	1		
	0000 405 0600	Ignition lead 1 m	1		
	0000 930 2251	Ignition lead 10 m	1		
18	0000 989 1010	Grommet	1		
19	1110 404 4200	Felt wick	1		
20	1106 400 1206	Flywheel	1		
21	9021 319 0670	Pan head screw M4x14-Z1	2		
22	1106 086 0505	Fanwheel	1		
23	9044 319 0980	Pan head screw M5x16	4		
24	1106 084 9100	Bushing	1		

Ignition system

#	Part Number	Description	Quantity	Contains Item(s)	Remarks
25	9210 261 1340	Hexagon nut M10x1	1		
26	9482 435 0430	Woodruff key 3x5.5	1		
27	0000 992 5820	Sealing ring	1		
28	0000 989 0810	Grommet	2		

Clutch, Chain sprocket cover



549ET004.SC

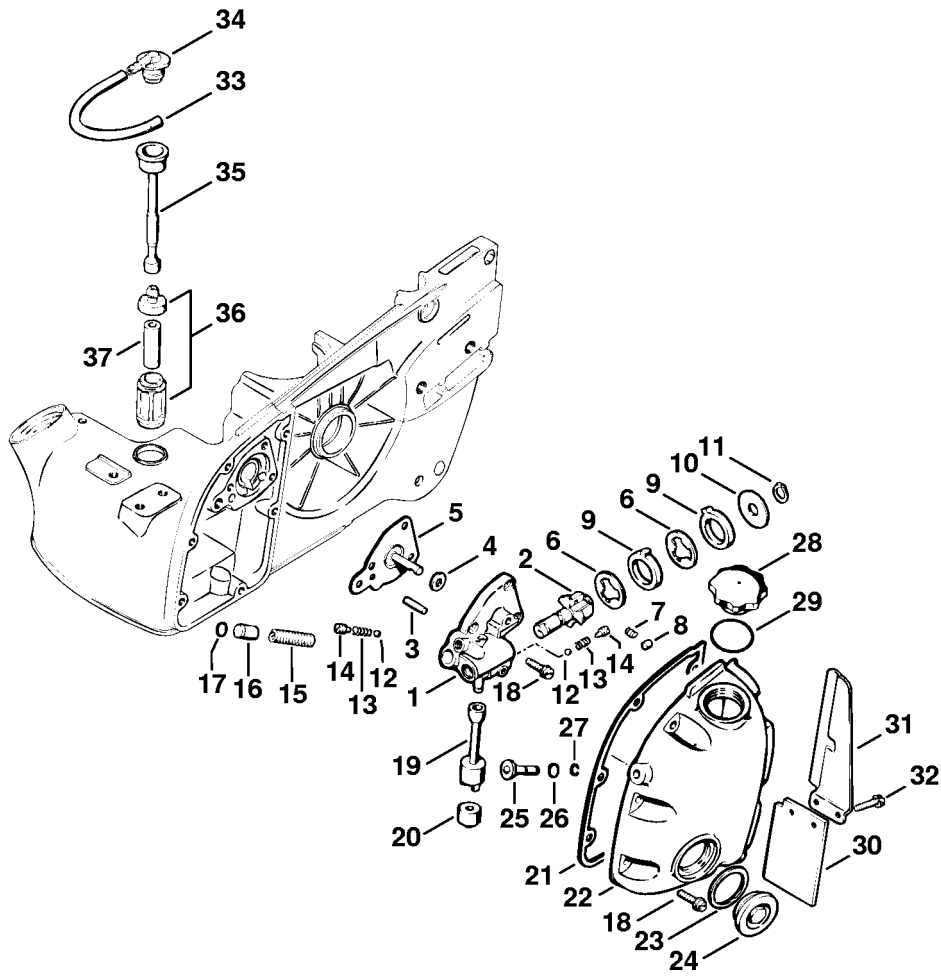
Clutch, Chain sprocket cover

#	Part Number	Description	Quantity	Contains Item(s)	Remarks
	1106 160 2001	Clutch	1	1 - 3	
1	1106 162 3200	Carrier	1		
2	1106 007 1006	Clutch shoe kit	1		3 pieces
3	0000 997 5909	Tension spring kit, 3 pieces	1		
	1106 007 1007	Clutch shoe kit	1		3 pieces
4	1106 162 9000	Adapter sleeve	1		
5	0000 961 1200	Ring	1		
6	1106 162 1110	Washer	1		
7	9210 261 1350	Hexagon nut M10x1	1		
8	1106 162 8800	Washer	1		
9	1106 640 2011	Chain sprocket 0.404" 7T	1		
10	1106 640 2031	Chain sprocket 1/2" 6T	1		
	1106 640 2025	Rim sprocket kit 0.404" 7T	1	11, 12	
11		Clutch drum	1		
12	0000 642 1207	Rim sprocket 0.404" 7T	1		
13	9512 933 4050	Needle cage 15x18x22	1		
14	1106 036 9100	Cover washer	1		
15	1106 664 1501	Tensioning nut	1		
16	0000 951 2911	Adjusting screw M6	1		
17	1107 021 9000	Clamp	1		
18	1106 664 1000	Inner side plate	1		
19	0000 953 6601	Stud	2		
20	1106 664 1100	Outer side plate	1		
21	9441 065 1910	Round head rivet 3x8	2		
22	1106 648 0412	Chain sprocket cover	1		
23	9008 319 1310	Hexagon head screw M6x18	4		
24	1106 664 0510	Bumper spike	2		

Clutch, Chain sprocket cover

#	Part Number	Description	Quantity	Contains Item(s)	Remarks
25	9214 320 0900	Lock nut M6	4		
26	9220 260 1300	Hexagon nut M10	2		
27	1111 656 7700	Chain catcher	1		
28	9040 346 1010	Socket head screw M5x18	1		
29	1106 359 1110	Gasket	1		
30	1106 351 0701	Fuel tank cover	1		
31	9048 216 1010	Pan head screw M5x18	10		
32	0000 951 0601	Hexagon head screw M6	1		
33	9210 319 0900	Hexagon nut M6	1		
34	1106 647 2800	Cup	1		
35	1106 647 9200	Rubber cap	1		
	1106 007 1050	Set of gaskets	1	29	

Oil pump



106ET009 SC

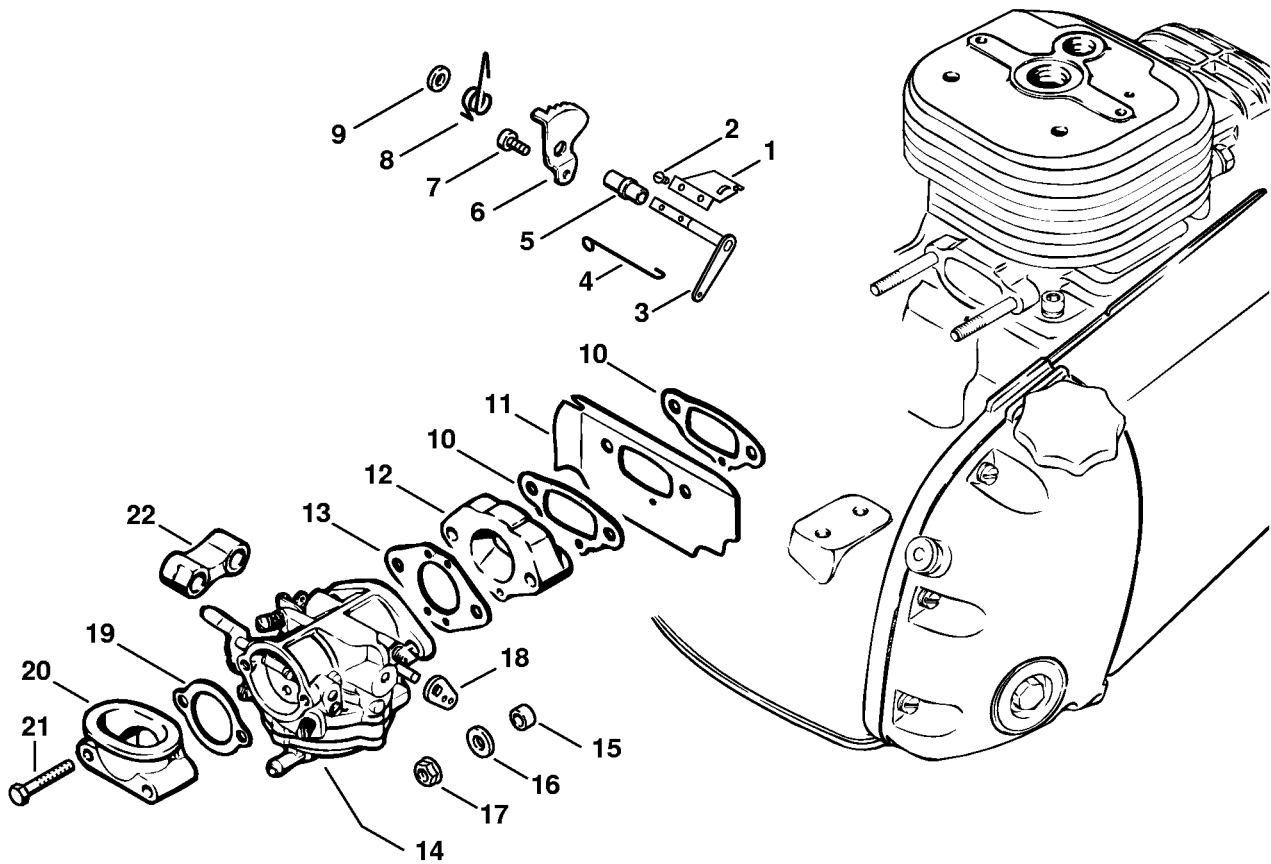
Oil pump

#	Part Number	Description	Quantity	Contains Item(s)	Remarks
	1106 640 3202	Oil pump	1	1 - 17	
1	1106 640 3002	Pump housing	1		
2	1106 647 0600	Pump piston	1		
3	0000 971 0420	Pin	1		
4	0000 992 5110	Sealing ring	1		
5	1106 640 3100	Plunger with diaphragm	1		
6	1106 647 7900	Washer	2		
7	0000 997 0325	Compression spring	6		
8	9517 003 5090	Cylindrical roller 5x5	6		
9	1106 647 2611	Annular lever	2		
10	0000 958 1001	Washer	1		
11	9455 621 0850	Circlip 10x1	1		
12	9516 003 1730	Ball Ø 4 mm	2		
13	0000 997 0336	Compression spring	2		
14	0000 951 5810	Grub screw M6	2		
15	0000 997 0728	Compression spring	1		
16	1111 647 0610	Pump piston	1		
17	9646 945 0490	O-ring 7x1.5	1		
18	9048 216 1010	Pan head screw M5x18	9		
19	1106 647 9404	Hose	1		
20	1106 640 3801	Pickup body	1		
21	1106 359 0700	Gasket	1		
22	1106 350 4002	Oil tank cover	1	23 - 27	
23	0000 992 7105	Sealing ring 30x36x1	1		
24	1106 351 2200	Oil sight glass	1		
	1106 007 1004	Thrust bolt kit	1	25 - 27	
25	1106 640 6000	Thrust bolt	1		

Oil pump

#	Part Number	Description	Quantity	Contains Item(s)	Remarks
26	9646 945 0150	O-ring 4x1	1		
27	9468 621 0330	Circlip 6x0.7	1		
28	1106 640 3600	Oil filler cap	1	29	
29	0000 992 6302	Sealing ring	1		
30	1106 656 2000	Chip guard	1		
31	1106 656 1500	Guard plate	1		
32	9048 319 0680	Pan head screw M4x16	2		
33	1106 358 0700	Hose 135mm	1		
34	1108 353 2500	Elbow connector	1		
35	1111 358 7700	Hose	1		
36	0000 350 3500	Pickup body	1	37	
37	0000 358 1800	Filter	1		
	1106 007 1050	Set of gaskets	1	21	

Speed governor, Carburetor

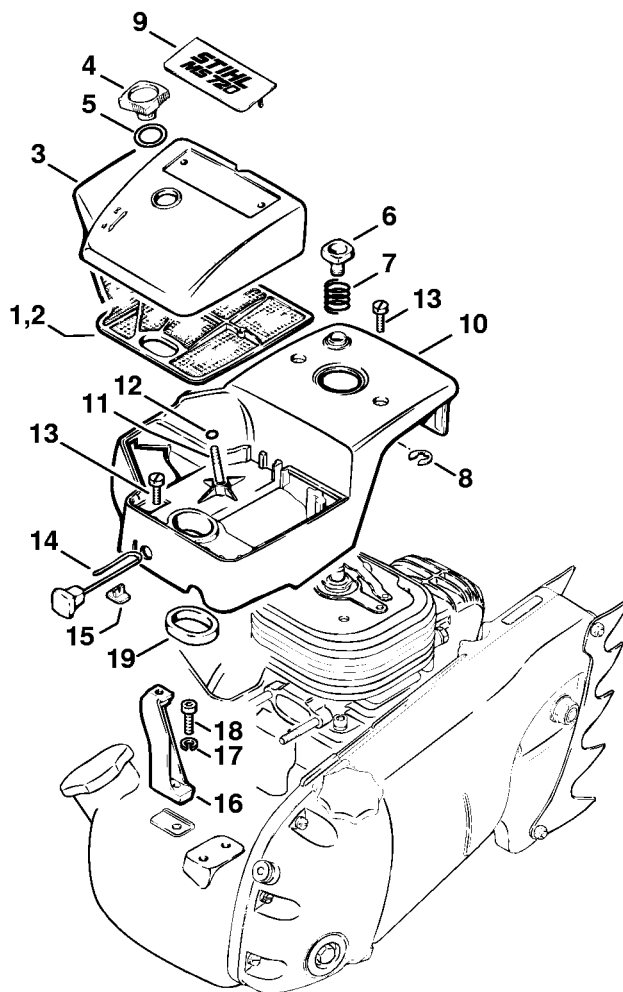


549ET005 SC

Speed governor, Carburetor

#	Part Number	Description	Quantity	Contains Item(s)	Remarks
1	1106 104 1000	Wind vane	1		
2	9047 319 0220	Pan head screw M2.6x5	2		
3	1106 100 0601	Governor shaft	1		
4	1106 104 0501	Governor rod	1		
5	1106 104 0200	Bearing bushing	1		
6	1106 104 1900	Notched speed control base	1		
7	9048 319 0650	Pan head screw M4x10	1		
8	0000 998 0811	Torsion spring	1		
9	9291 021 0120	Washer 5.3	1		
10	1106 129 1110	Gasket	2		
11	1106 121 2201	Cooling plate	1		
12	1106 121 1615	Spacer flange	1		
13	1106 129 1100	Gasket	1		
14	1106 120 0650	Carburetor LB-S9A	1		
15	1106 121 8701	Bushing	2		
16	1106 121 8600	Washer	2		
17	9220 260 0900	Hexagon nut M6	2		
18	1106 123 7600	Strap	1		
19	1106 149 1200	Filter gasket	1		
20	1106 141 2200	Intake elbow	1		
21	9012 319 1070	Hexagon head screw M5x30	2		
22	1106 123 7500	Grommet	1		
	1106 007 1050	Set of gaskets	1	10, 13, 19	

Shroud, Air filter

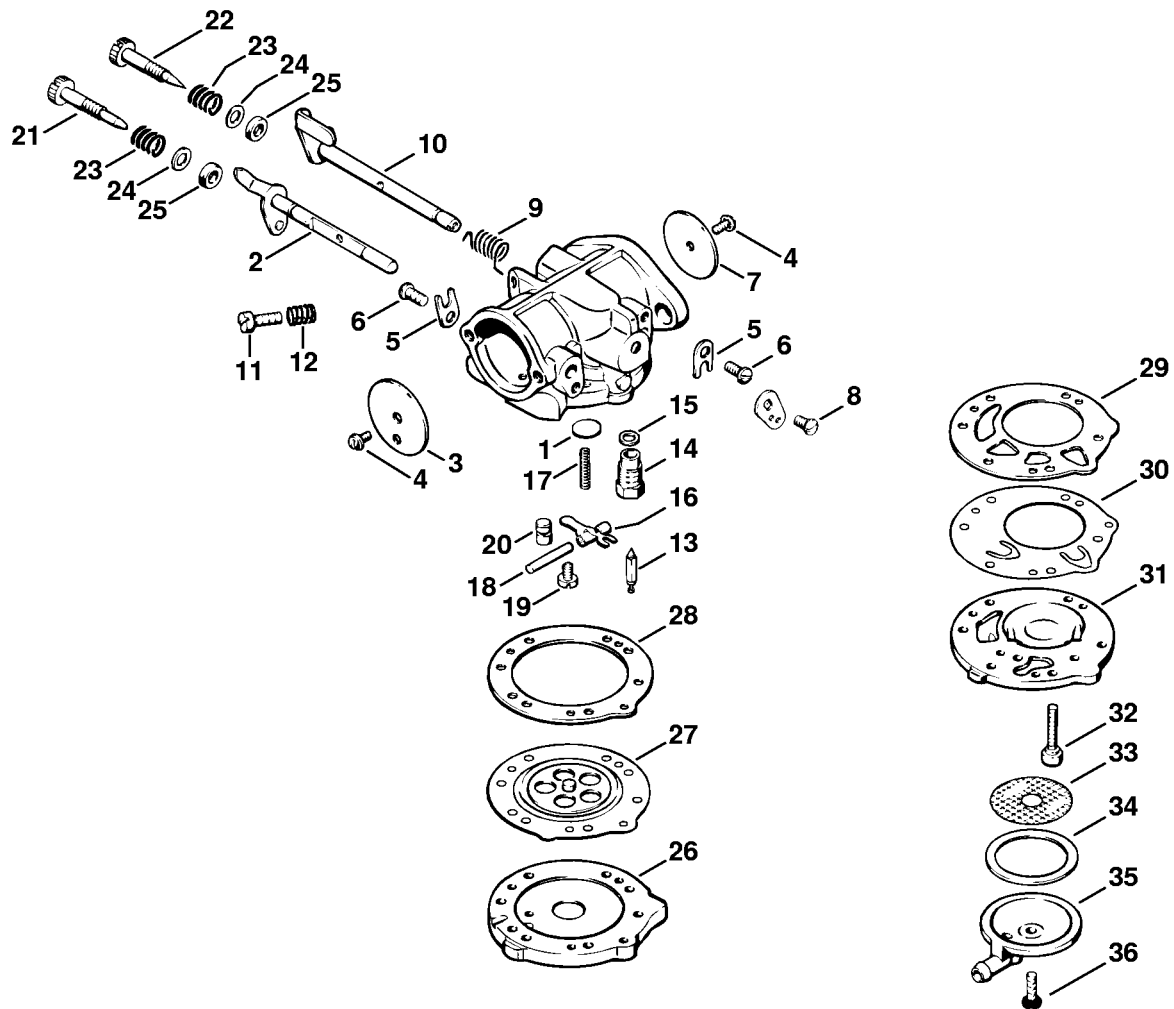


549ET006 SC

Shroud, Air filter

#	Part Number	Description	Quantity	Contains Item(s)	Remarks
1	1106 120 1602	Air filter, fleece	1		
2	1106 120 1610	Air filter, wire mesh	1		
3	1106 084 0602	Cover	1		
4	1110 140 9501	Twist lock	1		
5	0000 958 1705	Washer	1		
6	1106 020 9500	Button	1		
7	0000 997 1705	Compression spring	1		
8	9460 624 0800	E-clip 8	1		
9	1106 967 1504	Model plate MS 720	1		
10	1106 080 1603	Shroud	1	11	
11	9121 347 1090	Stud M5x40	1		
12	9646 945 0150	O-ring 4x1	1		
13	9048 216 1010	Pan head screw M5x18	3		
14	1106 180 2500	Choke rod	1		
15	1106 182 2400	Clamp	1		
16	1106 791 7601	Support	1		
17	9334 630 0140	Spring washer 6	1		
18	9045 319 1320	Socket head screw M6x20	1		
19	1106 149 0400	Sealing ring	1		

Carburetor LB-S9



549ET007 SC

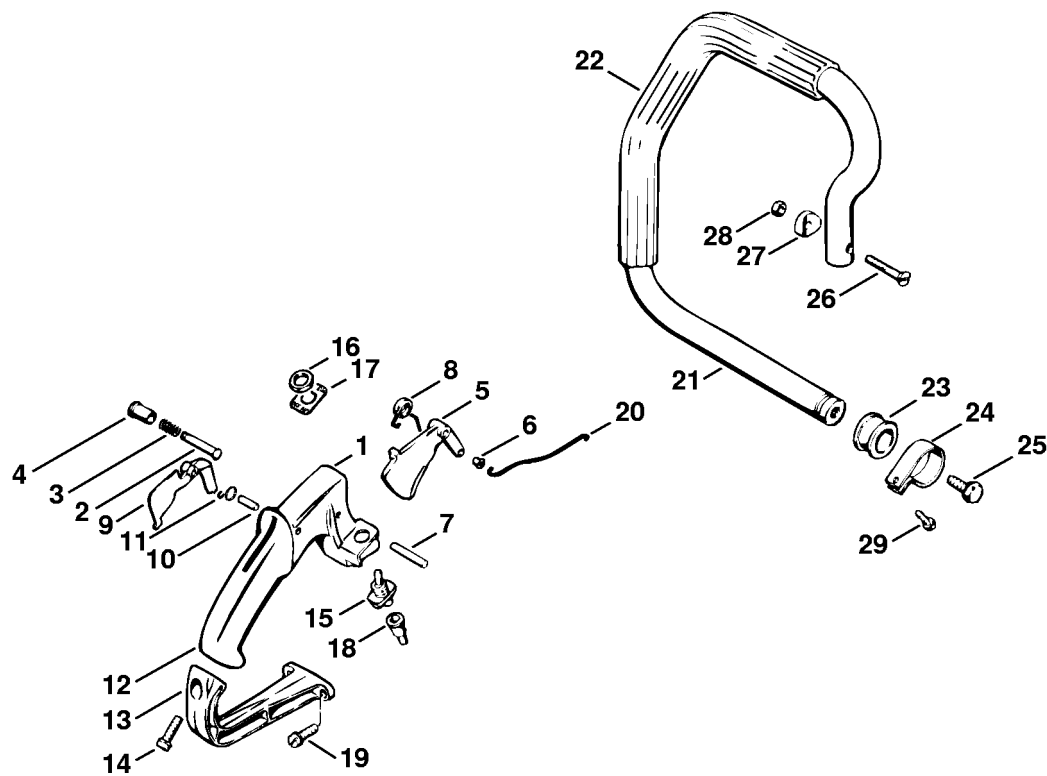
Carburetor LB-S9

#	Part Number	Description	Quantity	Contains Item(s)	Remarks
	1106 120 0650	Carburetor LB-S9A	1	1 - 36	
1	6503 122 9410	Plug	1		
2	1106 120 7220	Choke shaft with lever	1		
3	1106 121 2901	Choke shutter	1		
4	1125 122 7402	Round head screw	2		
5	4201 122 9300	Clip	2		
6	4201 122 7702	Oval head screw	2		
7	1106 121 3302	Throttle shutter	1		
8	9079 319 0280	Flat head screw M3x3.5	1		
9	4201 122 3000	Spring	1		
10	1106 120 7102	Throttle shaft with lever	1		
11	4201 122 6201	Idle speed screw	1		
12	1120 122 3003	Spring	1		
13	4126 121 5170	Inlet needle	1		
14	4201 121 1100	Valve body	1		
15	4201 129 2500	Washer	1		
16	4201 121 5000	Inlet control lever	1		
17	4201 122 3001	Spring	1		
18	4201 121 9200	Spindle	1		
19	1120 122 6600	Collar screw	1		
20	1120 121 5401	Valve jet	1		
21	1106 122 6702	High speed screw	1		
22	4201 122 6800	Low speed screw	1		
23	1120 122 3005	Spring	2		
24	4201 122 1500	Washer	2		
25	4201 129 3001	Sealing ring	2		
26	1106 121 0502	Pump housing	1		

Carburetor LB-S9

#	Part Number	Description	Quantity	Contains Item(s)	Remarks
27	6503 121 4700	Metering diaphragm	1		
28	6503 129 0910	Metering gasket	1		
29	1108 129 1100	Pump gasket	1		
30	1106 121 4803	Pump diaphragm	1		
31	1106 121 0800	End cover	1		
32	1108 122 7700	Oval head screw	6		
33	6503 121 7810	Strainer	1		
34	6503 129 3010	Sealing ring	1		
35	6503 121 0800	End cover	1		
36	6503 122 7700	Oval head screw	1		
	1106 007 1061	Set of carburetor parts	1	15, 25, 27 - 30, 34	

Handle, Handlebar



108ET037 SC

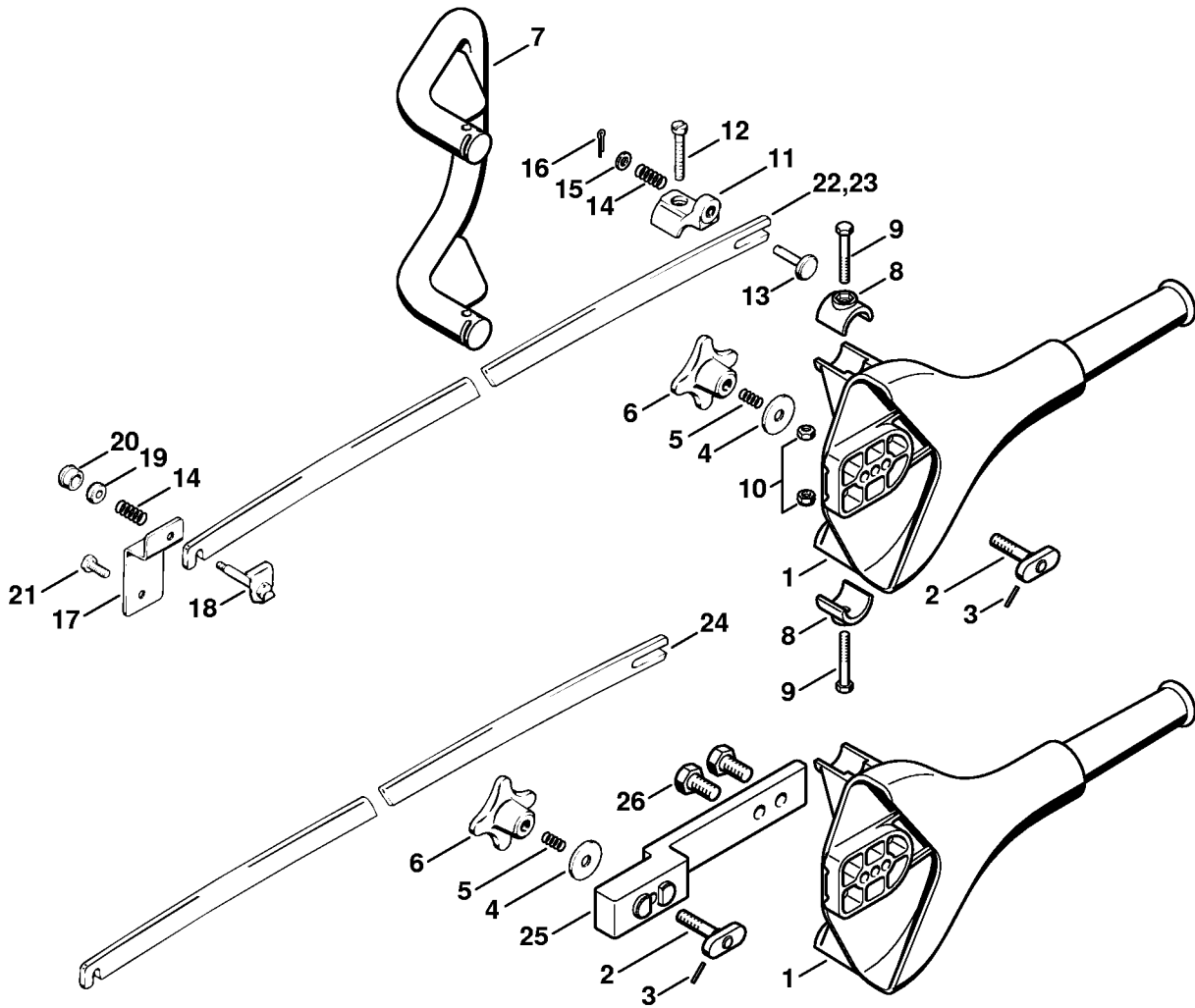
Handle, Handlebar

#	Part Number	Description	Quantity	Contains Item(s)	Remarks
1	1106 790 0302	Handle	1	2 - 12	
2	1113 182 8901	Pin	1		
3	0000 997 0603	Compression spring	1		
4	1113 182 9305	Starting throttle lock	1		
5	1106 180 1506	Throttle trigger	1	6	
6	9415 415 3140	Hollow rivet 4x0.3x5	1		
7	9371 470 2640	Cylindrical pin 5x24	1		
8	1108 182 4500	Torsion spring	1		
9	1106 182 0800	Lockout lever	1		
10	9372 470 2130	Cylindrical pin 4x20	1		
11	0000 998 0802	Torsion spring	1		
12	1106 791 2205	Rubber grip	1		
13	1106 791 7600	Support	1		
14	9048 216 1320	Pan head screw M6x20	1		
15	1110 430 0202	Stop switch	1		
16	9211 260 1430	Hexagon nut M12x0.75	1		
17	0000 967 3506	Label	1		
18	1110 432 9200	Grommet	1		
19	9048 216 1320	Pan head screw M6x20	4		
20	1106 182 1504	Throttle rod	1		
21	1106 790 1501	Handlebar with hose	1	22	
22		Handle hose 390 mm / 15 3/8"	1		
	0000 791 2009	Handle hose Ø 19 mm x 5 m / 3/4x197"	1		
23	1106 791 9500	Rubber bushing	1		
24	1106 791 9400	Tube clamp	1		
25	9015 319 1800	Hexagon head screw M8x20	1		
26	0000 951 4110	Countersunk screw M6	1		

Handle, Handlebar

#	Part Number	Description	Quantity	Contains Item(s)	Remarks
27	1106 791 8600	Thrust washer	1		
28	9214 320 0900	Lock nut M6	1		
29	9048 216 1010	Pan head screw M5x18	1		

Helper's handle, Chain scabbard



129ET043 SC

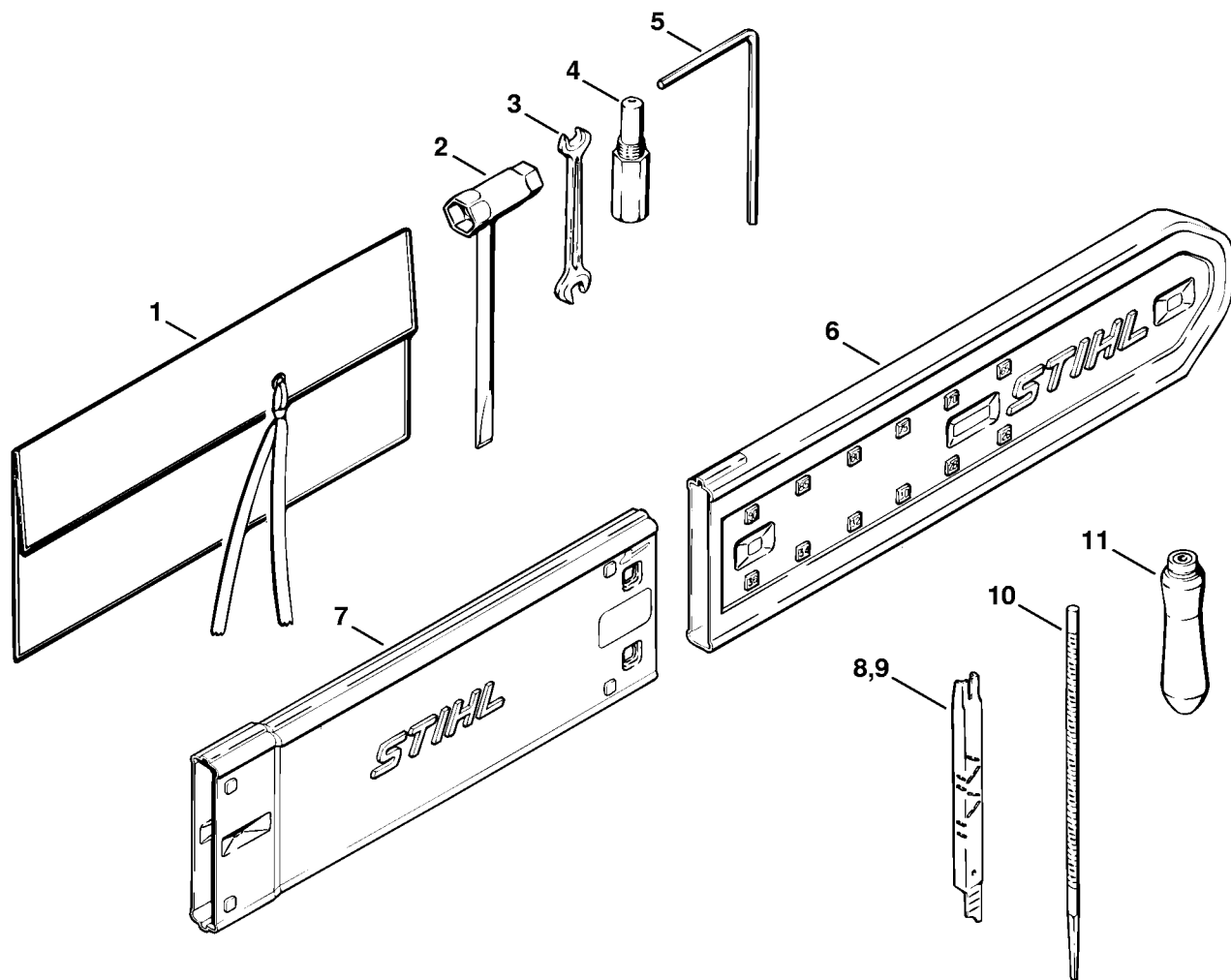
Helper's handle, Chain scabbard

#	Part Number	Description	Quantity	Contains Item(s)	Remarks
1	1124 660 2500	Helper's handle	1	2 - 10	
2	1109 660 0600	Tensioning bolt	1	3	
3	9380 620 1120	Roll pin 2x14	1		
4	0000 958 2208	Washer	1		
5	0000 997 0620	Compression spring	1		
6	1109 660 0500	Tensioning nut	1		
7	1109 790 2200	Front handle	1		
8	1109 791 9000	Clamp	2		
9	9007 319 1400	Hexagon head screw M6x40	2		
10	9214 320 0900	Lock nut M6	2		
	1124 007 1018	Chain guard kit 105 cm / 42"	1	11 - 22	
11	1109 650 8400	Support	1		
12	9042 216 1400	Pan head screw M6x40	1		
13	1401 668 8500	Spring bolt	1		
14	0000 997 0901	Compression spring	2		
15	0000 958 0600	Washer	1		
16	9395 021 0790	Split pin 1.6x12	1		
17	1124 656 8300	Support	1		
18	1401 640 8000	Spring bolt	1		
19	0000 961 1401	Ring	1		
20	1401 648 8400	Push button	1		
21	9008 319 1280	Hexagon head screw M6x16	1		
22	1202 656 1000	Chain scabbard 105 cm / 42"	1		
	1124 007 1019	Chain guard kit 120 cm / 48"	1	11 - 21, 23	
23	1202 656 1001	Chain scabbard 120 cm / 48"	1		
	1124 007 1020	Chain guard kit 150 cm / 59"	1	11 - 21, 24	
24	1202 656 1002	Chain scabbard 150 cm / 59"	1		

Helper's handle, Chain scabbard

#	Part Number	Description	Quantity	Contains Item(s)	Remarks
25	1124 660 2650	Spacer	1	26	
26	9008 319 2360	Hexagon head screw M10x20	2		

Tools, Extras

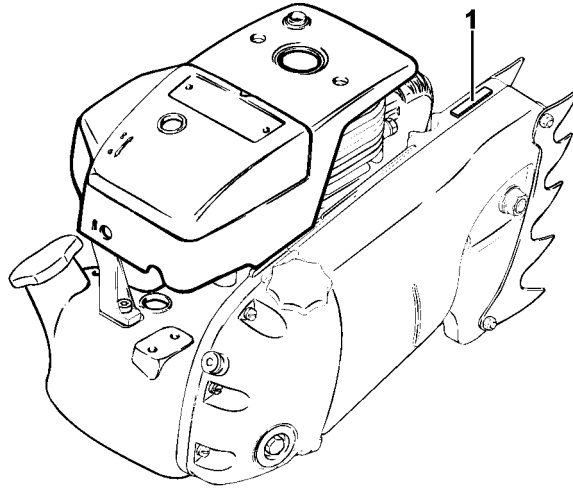


168ET033 SC

Tools, Extras

#	Part Number	Description	Quantity	Contains Item(s)	Remarks
	1106 890 1400	Tool kit	1	1 - 5	
1	0000 891 0810	Tool roll	1		
2	1106 890 3402	Combination wrench	1		
3	0811 012 1152	Wrench 8x10	1		
4	1107 191 1201	Locking screw	1		
5	0811 270 1100	Allen key 5x110x70	1		
6	0000 792 9130	Chain scabbard	1		
7	0000 792 9133	Chain scabbard extension up to 90 cm	1		
8	1106 893 4010	Filing gauge 1.2 mm, 1/2"	1		
9	1106 893 4000	Filing gauge 0.404", 1/2"	1		
10	0811 411 8108	Round file Ø 5.5x200 mm	1		
11	0811 490 7860	File handle A100	1		

Serial number

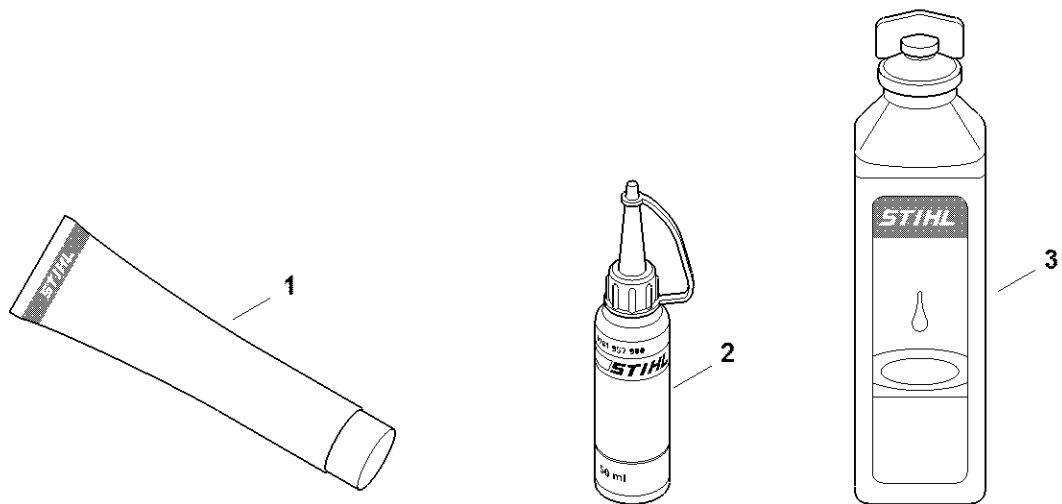


108ET045 SC

Serial number

#	Part Number	Description	Quantity	Contains Item(s)	Remarks
1		Position of serial number	1		

Miscellaneous lubricants and greases

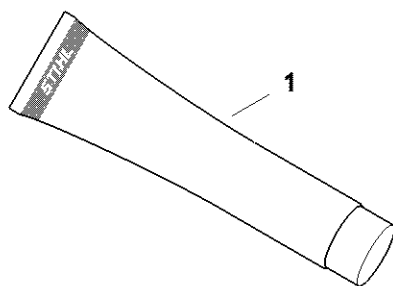


0000-GET-0170-A0

Miscellaneous lubricants and greases

#	Part Number	Description	Quantity	Contains Item(s)	Remarks
1	0781 120 1021	STIHL Multilub 40g tube	1		
1	0781 120 1109	Multipurpose grease 80 g	1		
1	0781 120 1110	Multipurpose grease 225 g	1		
2	0781 957 9000	Press fluid OH 723	1		
3	0781 319 8401	HP 100ml	1		
3	0781 319 8052	HP Super 100ml	1		
3	0781 319 8060	HP Ultra 100ml	1		

Miscellaneous lubricants and greases

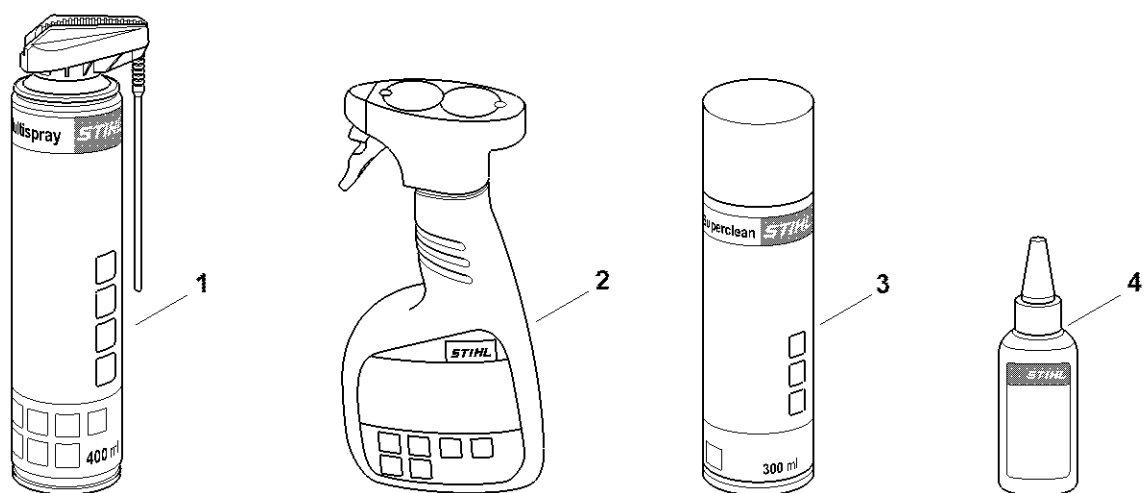


0000-GET-0161-A0

Miscellaneous lubricants and greases

#	Part Number	Description	Quantity	Contains Item(s)	Remarks
1	0781 120 1021	STIHL Multilub 40g tube	1		
1	0781 120 1109	Multipurpose grease 80 g	1		
1	0781 120 1110	Multipurpose grease 225 g	1		
2	0781 957 9000	Press fluid OH 723	1		

Cleaning products

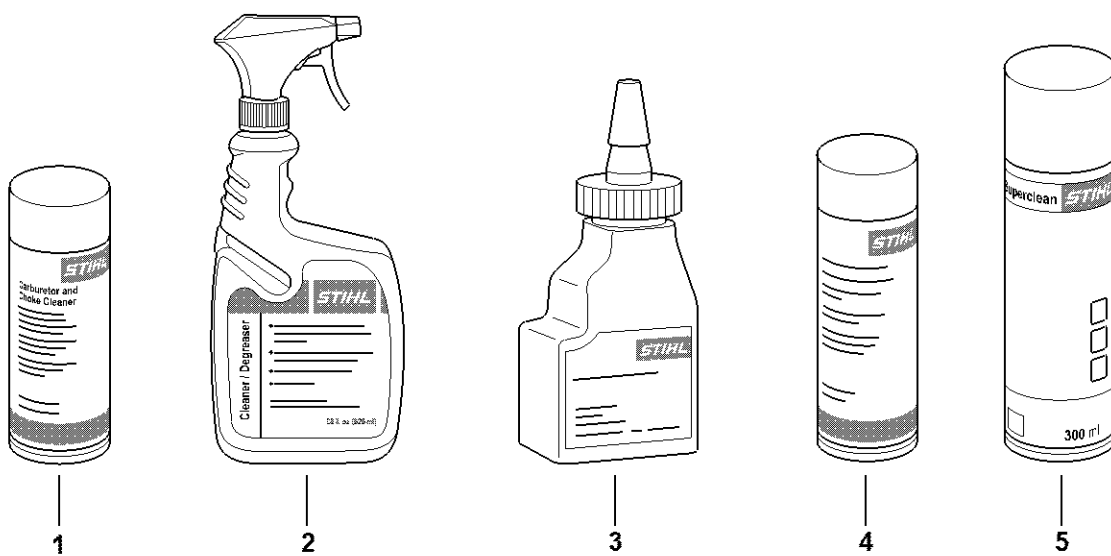


0000-GET-0171-A0

Cleaning products

#	Part Number	Description	Quantity	Contains Item(s)	Remarks
1	0730 411 7002	Multispray 50 ml	1		
1	0730 411 7000	Multispray	1		
2	0000 881 9400	VarioClean 500 ml	1		
2	0000 881 9409	Special cleaner 5 l	1		
3	0782 420 1001	SuperClean 50 ml	1		
3	0782 420 1002	SuperClean 300 ml	1		
4	0782 516 8500	Multioil Bio 50 ml	1		

Cleaning products



0000-GET-0173-A0

Cleaning products

#	Part Number	Description	Quantity	Contains Item(s)	Remarks
1	7010 881 9400	Carb & Choke Cleaner (11oz) - 6P	1		
2	7010 881 9401	Heavy Duty Degreaser (28 oz) - 6P	1		
2	7010 871 0214	Heavy Duty Degreaser - 1 gal.	1		
3	7010 871 0198	General purpose oil 4 oz.	1		
4	7010 881 9402	Multi Purpose Penetrating Oil (10oz) 6P	1		
5	0782 420 1002	SuperClean 300 ml	1		
5	7010 871 0157	HEDGE TRIMMER BLADE CLEANER 6 PACK	1		