

# MS 661 MAGNUM

Spare Parts List

02/08/2023

Indonesia, English

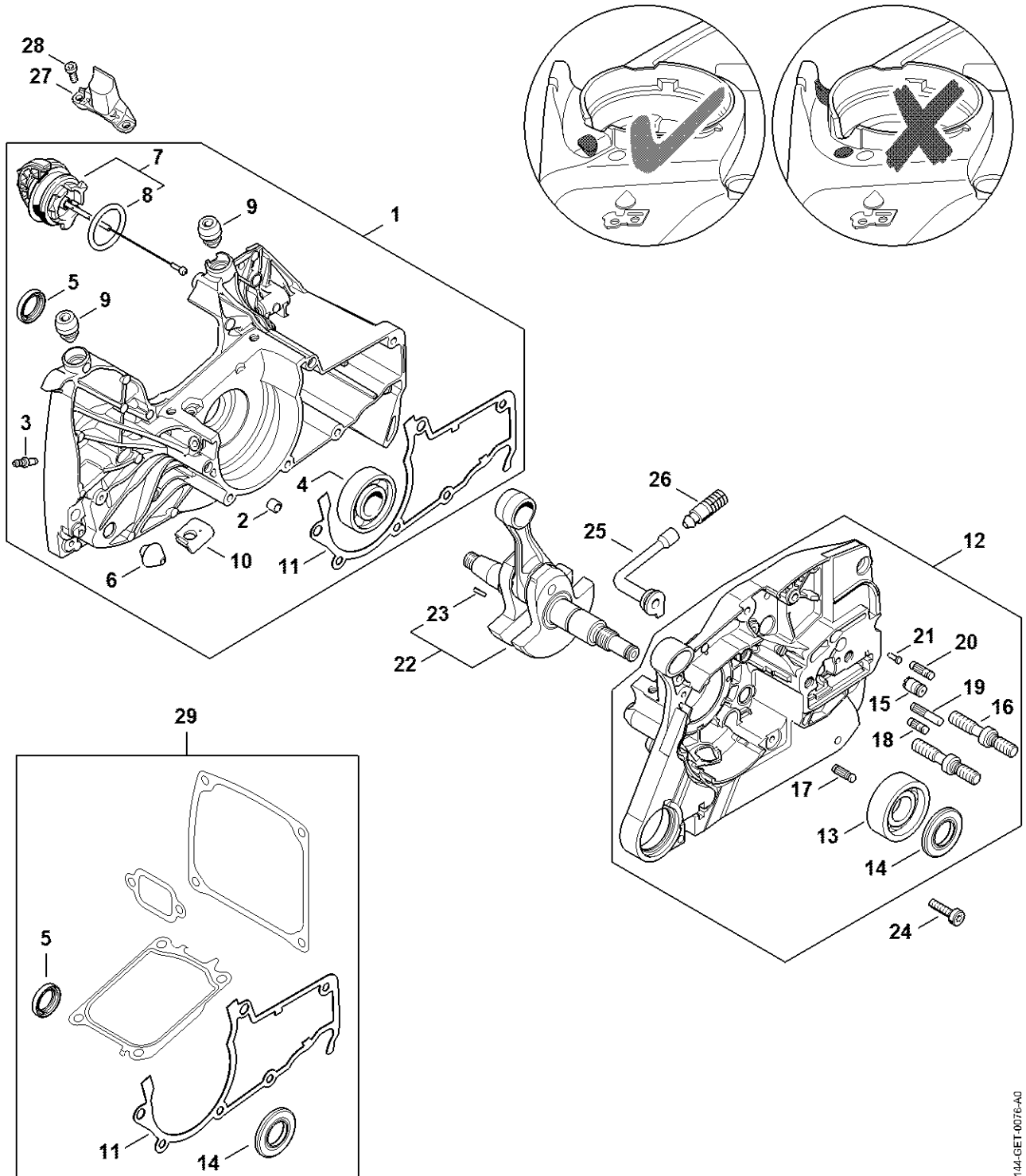
## Contents

Crankcase .....	3	Installing tool .....	65
Chain sprocket cover .....	6	Assembly tube .....	67
Cylinder, Muffler .....	8	Flange .....	69
Oil pump, Clutch .....	10	Assembly hook .....	71
Chain brake, Chain tensioner .....	13	Stud puller, M8 .....	73
Ignition system .....	15	Assembly hook .....	75
Rewind starter, Hand guard .....	17	Ignition system tester, ZAT 3 .....	77
Tank housing .....	19	Ignition system tester, ZAT 4 .....	79
Throttle control .....	21	Puller .....	81
Air filter, Shroud .....	23	Screwdriver .....	83
Carburetor 1144/02 .....	25	Installing tool, 12 .....	85
AV system, Handlebar .....	28	Torque wrench with optical/acoustic signal .....	87
Tools, Extras .....	30	Torque wrench with optical/acoustic signal .....	89
2-in-1 laser .....	32	Jaw (profile No. 3.1 and 4) .....	91
Serial number .....	34	Screw sleeve .....	93
Tightening torques .....	36	Plug .....	95
Tightening torques .....	39	Assembly stand .....	97
Miscellaneous lubricants and greases .....	41	Service tool ZS .....	99
Cleaning products .....	43	Puller .....	101
Nipple .....	45	Punchdown tool .....	103
Installing tool .....	47	Pump .....	105
Clamping strap .....	49	Stud puller, M8-9.5 .....	107
Puller .....	51	Piston support .....	109
Assembly drift .....	53	Support .....	111
Press arbor .....	55	Press sleeve .....	113
Press arbor .....	57	Thrust piece .....	115
Sealing plate .....	59	Installing sleeve .....	117
Socket, T27x125 .....	61	Screw sleeve .....	119
Hose 135 mm / 5 5/16" .....	63	Screwdriver, T27x150 .....	121

# Contents

Service tool AS .....	123
Screwdriver, T10 .....	125
Setting gauge .....	127
Installing tool AS .....	129
Installing tool LS .....	131

# Crankcase



1144-GET-0076-AD

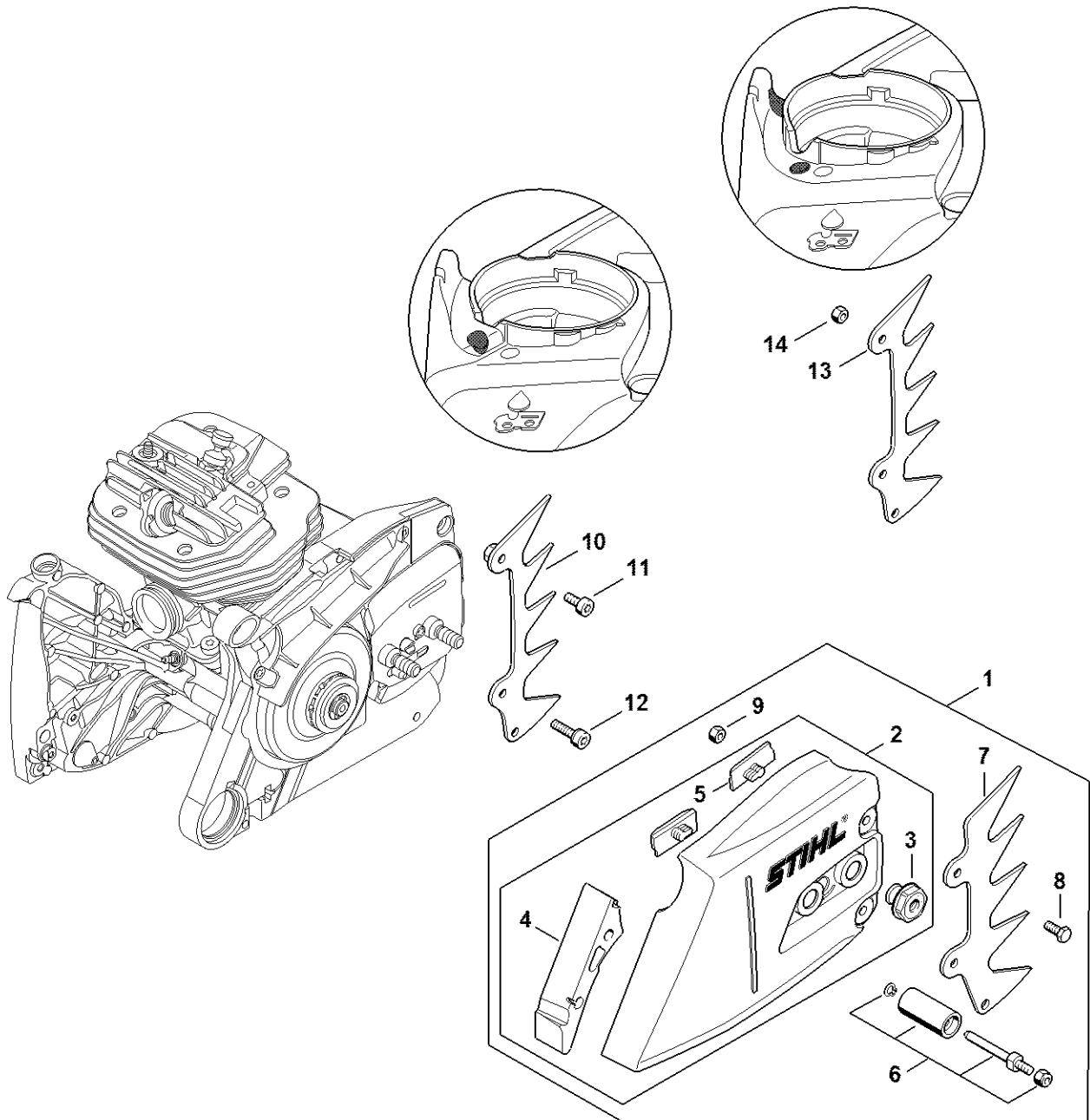
# Crankcase

#	Part Number	Description	Quantity	Contains Item(s)	Remarks
1	1144 020 2604	Crankcase, fan side	1	2 - 11	
2	0000 988 8600	Sleeve	2		
3	0000 988 5211	Connector	1		
4	9503 003 6677	Grooved ball bearing 6203	1		
5	9640 003 1561	Oil seal DIN3760-BS15x22x4	1		
6	1133 791 5900	Stop buffer	1		
7	0000 350 0533	Filler cap	1	8	
8	9645 948 7734	O-ring 25x3.5	1		
9	1147 080 1701	Grommet	2		
10	1144 084 7401	Grommet	1		
11	1144 029 0501	Gasket	1		
12	1144 020 2924	Crankcase AS	1	13 - 21	
13	9523 003 4556	Grooved ball bearing 17x41x14	1		
14	9640 003 1851	Oil seal DIN3760-BS17x32,9x3,6	1		
15	1128 640 9100	Valve	1		
16	0000 664 2417	Collar screw M8	2		
17	1120 162 5200	Pin	1		
18	1128 162 5200	Pin	1		
19	1121 162 5205	Pin	1		
20	1121 162 5200	Pin	1		
21	0000 974 1200	Notched pin 2.6x8	1		
22	1144 030 0402	Crankshaft	1	23	
23	1120 036 8500	Woodruff key 2x3.7	1		
24	9022 371 1020	Spline screw IS-M5x20	6		
25	1122 647 9400	Hose	1		
26	1117 640 3800	Pickup body	1		
27	1144 021 8101	Flange	1		

# Crankcase

#	Part Number	Description	Quantity	Contains Item(s)	Remarks
28	9022 313 0651	Spline screw IS-M4x10	2		
29	1144 007 1601	Set of gaskets	1	5, 11, 14	

# Chain sprocket cover

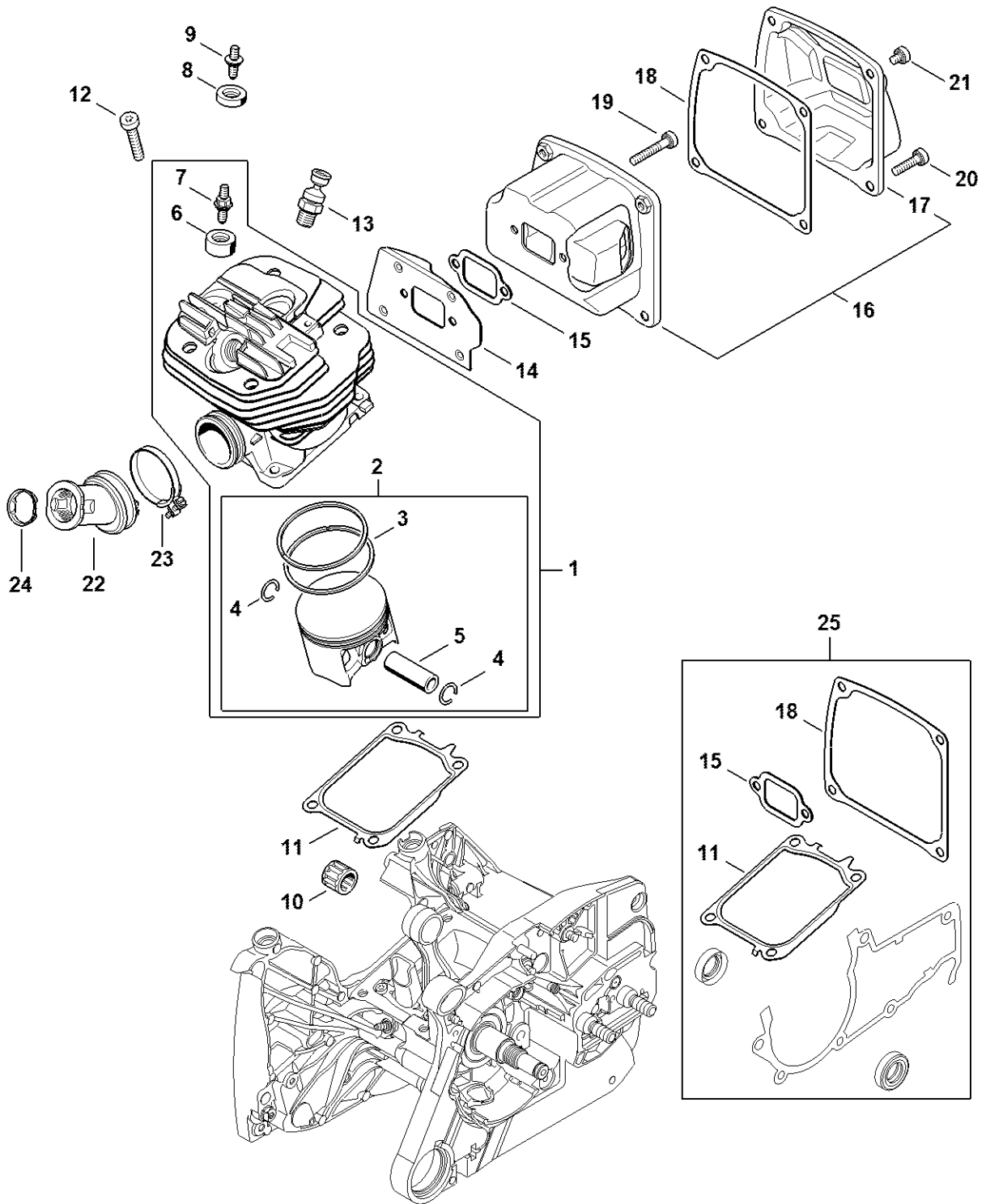


1144-GET-0081-A0

# Chain sprocket cover

#	Part Number	Description	Quantity	Contains Item(s)	Remarks
1	1144 640 1700	Chain sprocket cover	1	2 - 9	
2	1144 640 1705	Chain sprocket cover	1	3 - 5	
3	0000 995 0806	Collar nut M8	2		
4	1135 656 1500	Guard	1		
5	1121 648 6610	Bumper strip	2		
6	1122 650 7702	Chain catcher	1		
7	1122 664 0500	Bumper spike	1		
8	9008 345 0960	Hexagon head screw M5x12	2		
9	9214 320 0700	Lock nut M5	2		
10	1144 660 0800	Bumper spike	1		
11	9022 341 0961	Spline screw IS-M5x12	1		Micro-encapsulated with binding thread
12	9022 341 1019	Spline screw IS-M5x20	1		

# Cylinder, Muffler



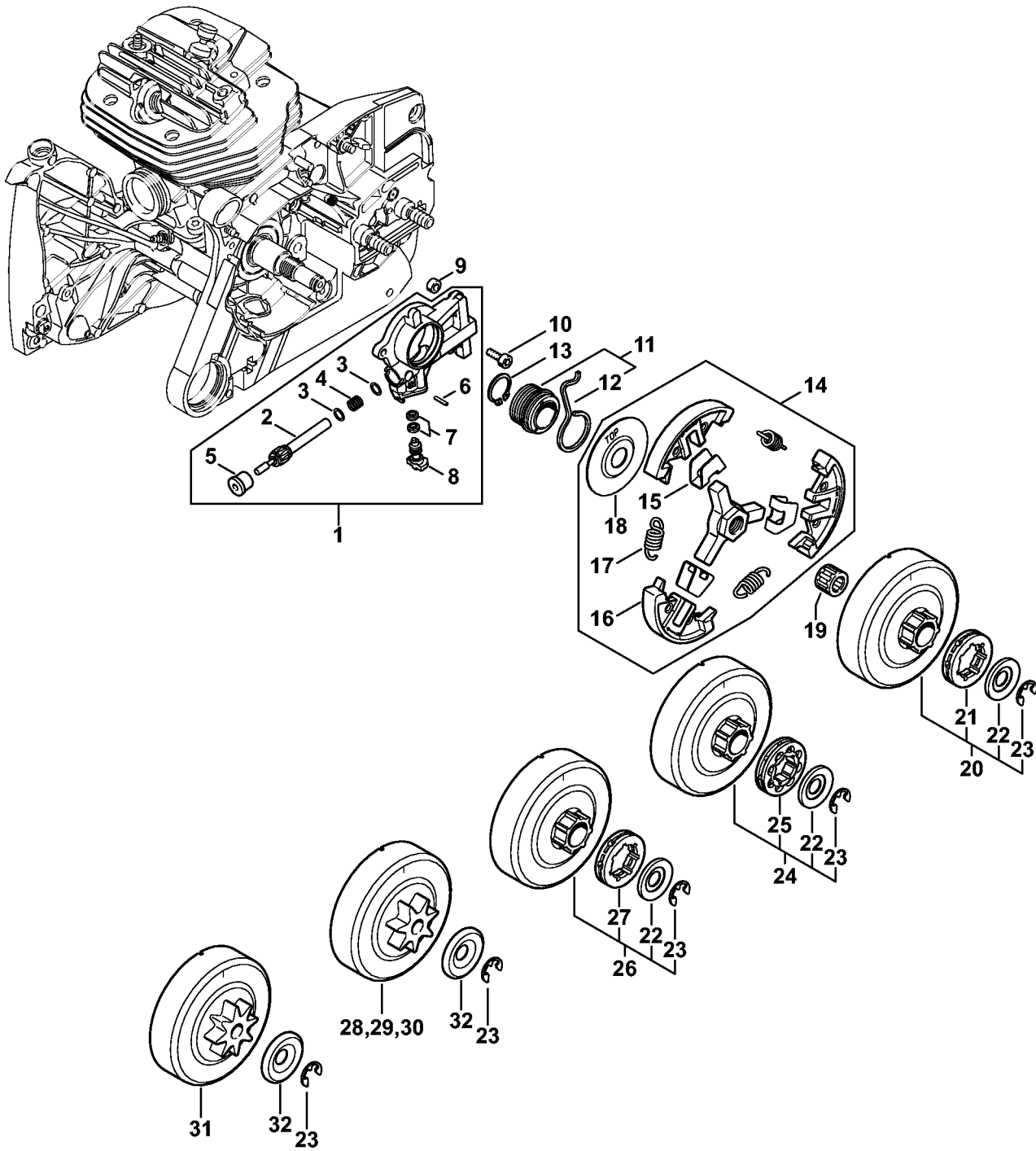
1144-GET-0096-A0



# Cylinder, Muffler

#	Part Number	Description	Quantity	Contains Item(s)	Remarks
1	1144 020 1202	Cylinder with piston Ø 56 mm	1	2 - 7	
2	1144 030 2001	Piston Ø 56 mm	1	3 - 5	
3	1144 034 3002	Piston ring Ø 56x1,2 mm	2		
4	9463 650 1200	Snap ring 12x1	2		
5	1144 034 1500	Piston pin 12x8x35	1		
6	1144 028 1000	Grommet	1		
7	0000 953 0811	Stud M5	1		
10	9512 003 3286	Needle cage 12x17x14,4	1		
11	1144 029 2300	Cylinder gasket	1		
12	9022 341 1370	Spline screw IS-M6x30	4		
13	1124 020 9401	Decompression valve	1		
14	1144 141 3200	Cooling plate	1		
15	1144 149 0600	Muffler gasket	1		
16	1144 140 0600	Muffler	1	17	
17	1144 145 0800	Exhaust casing	1		
18	1144 149 0500	Gasket	1		
19	9022 373 1070	Spline screw IS-M5x30	2		
20	9022 399 1020	Spline screw IS-M5x20	2		
21	9022 341 0911	Spline screw IS-M5x6	2		
22	1144 141 2202	Manifold	1		
23	9771 021 2621	Hose clip Ø 36x5	1		
24	1122 141 1805	Sleeve	1		
25	1144 007 1601	Set of gaskets	1	11, 15, 18	

# Oil pump, Clutch



1144-GET-0030-A0

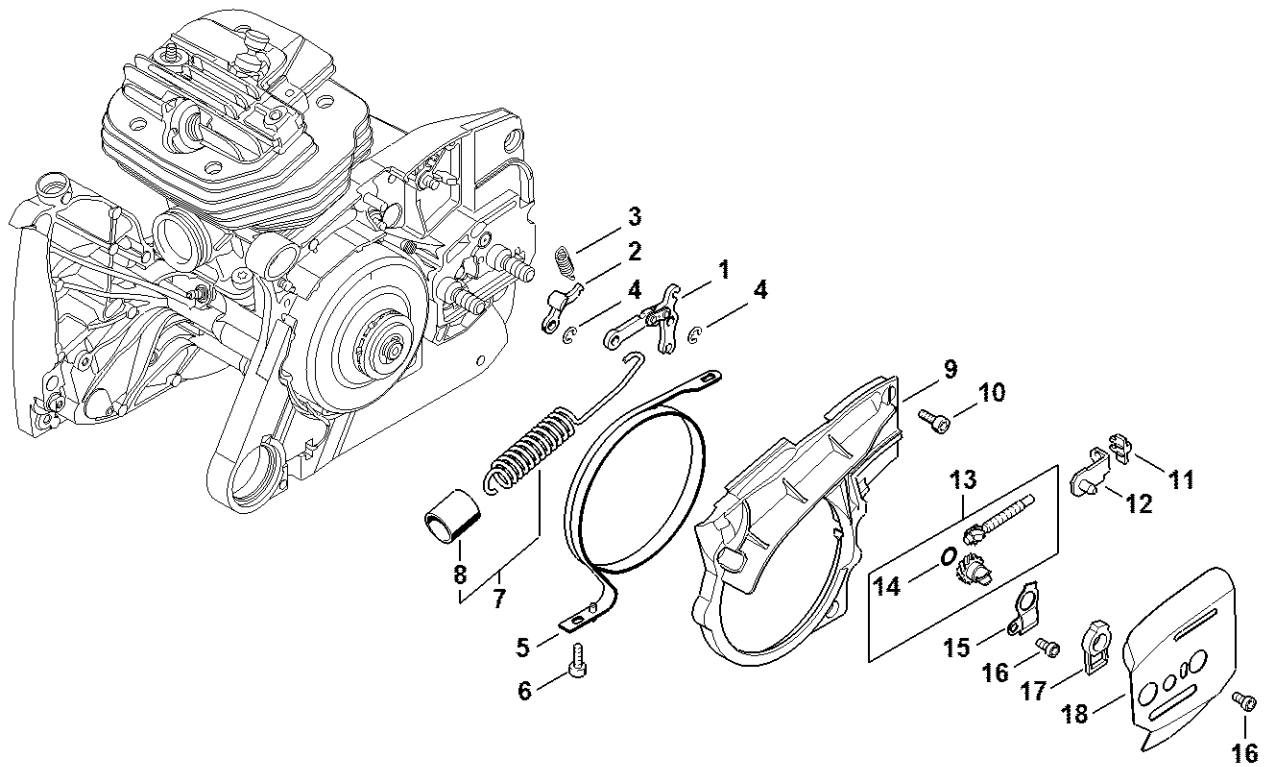
# Oil pump, Clutch

#	Part Number	Description	Quantity	Contains Item(s)	Remarks
1	1144 640 3200	Oil pump	1	2 - 8	
2	1144 647 0600	Pump piston	1		
3	0000 958 0611	Washer	2		
4	0000 997 0629	Compression spring	1		
5	1144 641 9400	Bearing bushing	1		
6	9380 620 1090	Roll pin 2x10	1		
7	9646 945 0160	O-ring 4x2	2		
8	1144 647 4800	Control bolt	1		
9	1122 649 5000	Sealing ring B4x2	1		
10	9022 346 0658	Spline screw IS-M4x12	2		
11	1144 640 7101	Worm	1	12	
12	1122 647 2401	Spring	1		
13	9455 621 1800	Circlip 17x1	1		
14	1144 160 2001	Clutch	1	15 - 18	
15	0000 162 3001	Retainer	3		
16	1144 162 0802	Clutch shoe	3		
17	0000 997 5520	Tension spring	3		
18	1144 162 1000	Cover washer	1		
19	9512 933 2382	Needle cage 10x16x13	1		
20	1122 007 1000	Rim sprocket kit 3/8" 7T	1	21 - 23	
21	0000 642 1223	Rim sprocket 3/8" 7T	1		
22	0000 958 1032	Washer Ø 27 mm	1		
23	9460 624 0801	E-clip 8x1.3	1		
24	1122 007 1001	Rim sprocket kit 3/8" 8T	1	22, 23, 25	
25	0000 642 1216	Rim sprocket 3/8" 8T	1		
26	1122 007 1002	Rim sprocket kit 0.404" 7T	1	22, 23, 27	
27	0000 642 1207	Rim sprocket 0.404" 7T	1		

# Oil pump, Clutch

#	Part Number	Description	Quantity	Contains Item(s)	Remarks
28	1122 640 2006	Chain sprocket 3/8" 7T Picco	1		
29	1122 640 2001	Chain sprocket 0.404" 7T	1		
30	1122 640 2002	Chain sprocket 3/8" 7T	1		
31	1122 640 2000	Chain sprocket 3/8" 8T	1		
32	0000 958 1029	Washer Ø 33 mm	1		

# Chain brake, Chain tensioner

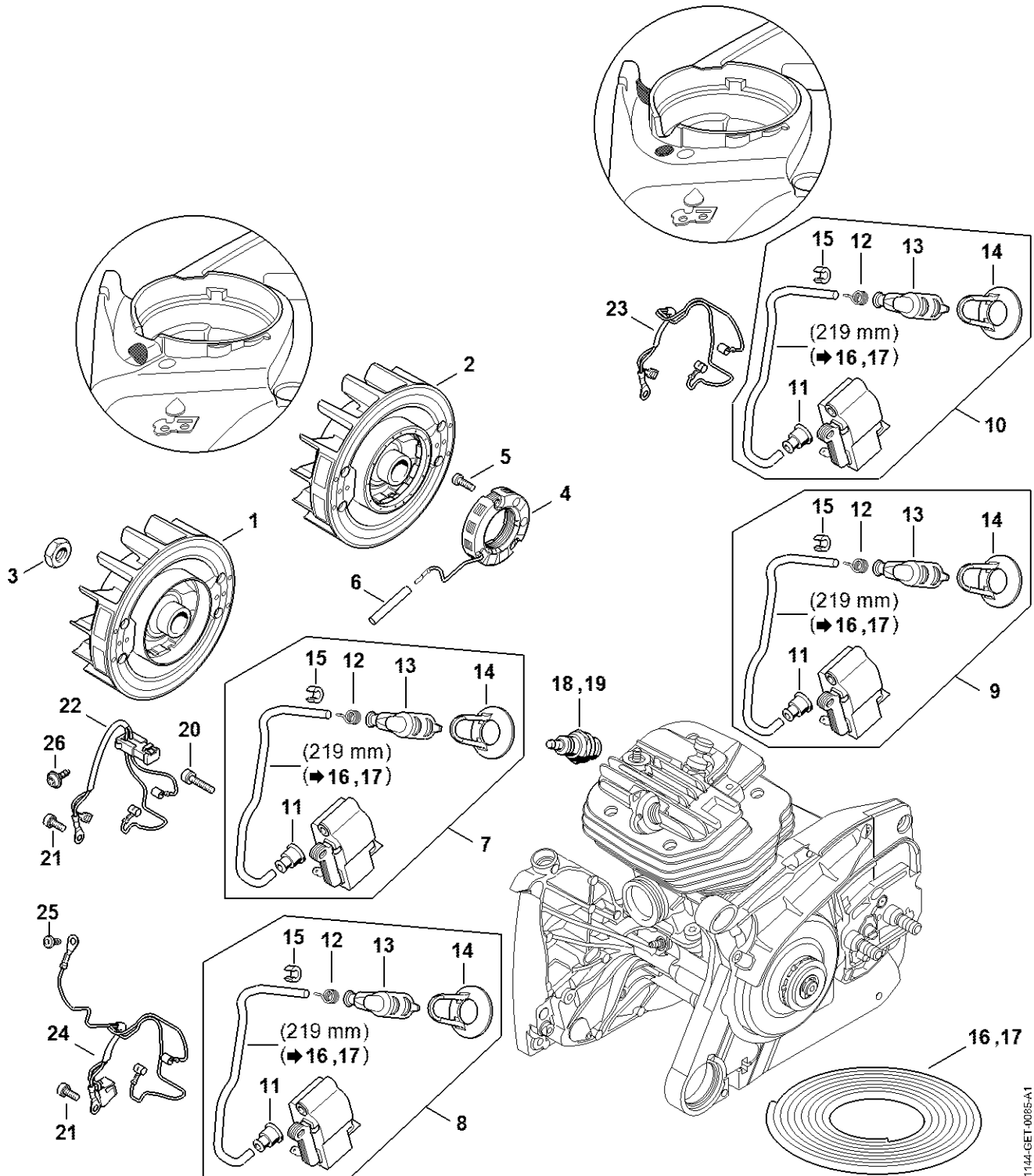


1144-GET-0084-A0

# Chain brake, Chain tensioner

#	Part Number	Description	Quantity	Contains Item(s)	Remarks
1	1128 160 5000	Lever	1		
2	1121 162 5010	Lever	1		
3	0000 997 0628	Spring	1		
4	9460 624 0400	E-clip 4	2		
5	1144 160 5400	Brake band	1		
6	9022 346 0658	Spline screw IS-M4x12	1		
7	1144 160 5500	Tension spring	1	8	
8	1144 162 8000	Hose	1		
9	1144 021 1100	Cover	1		
10	9022 313 0660	Spline screw IS-M4x12	3		
11	1125 664 1400	Thrust pad	1		
12	1125 640 1900	Tensioner slide	1		
13	1125 007 1021	Spur gear / chain adjusting screw kit	1	14	
14	9646 945 0490	O-ring 7x1.5	1		
15	1122 664 2200	Cover plate	1		
16	9022 313 0633	Spline screw IS-M4x8	2		
17	1122 664 4500	Support	1		
18	1128 664 1001	Inner side plate 0.9 mm	1		

# Ignition system



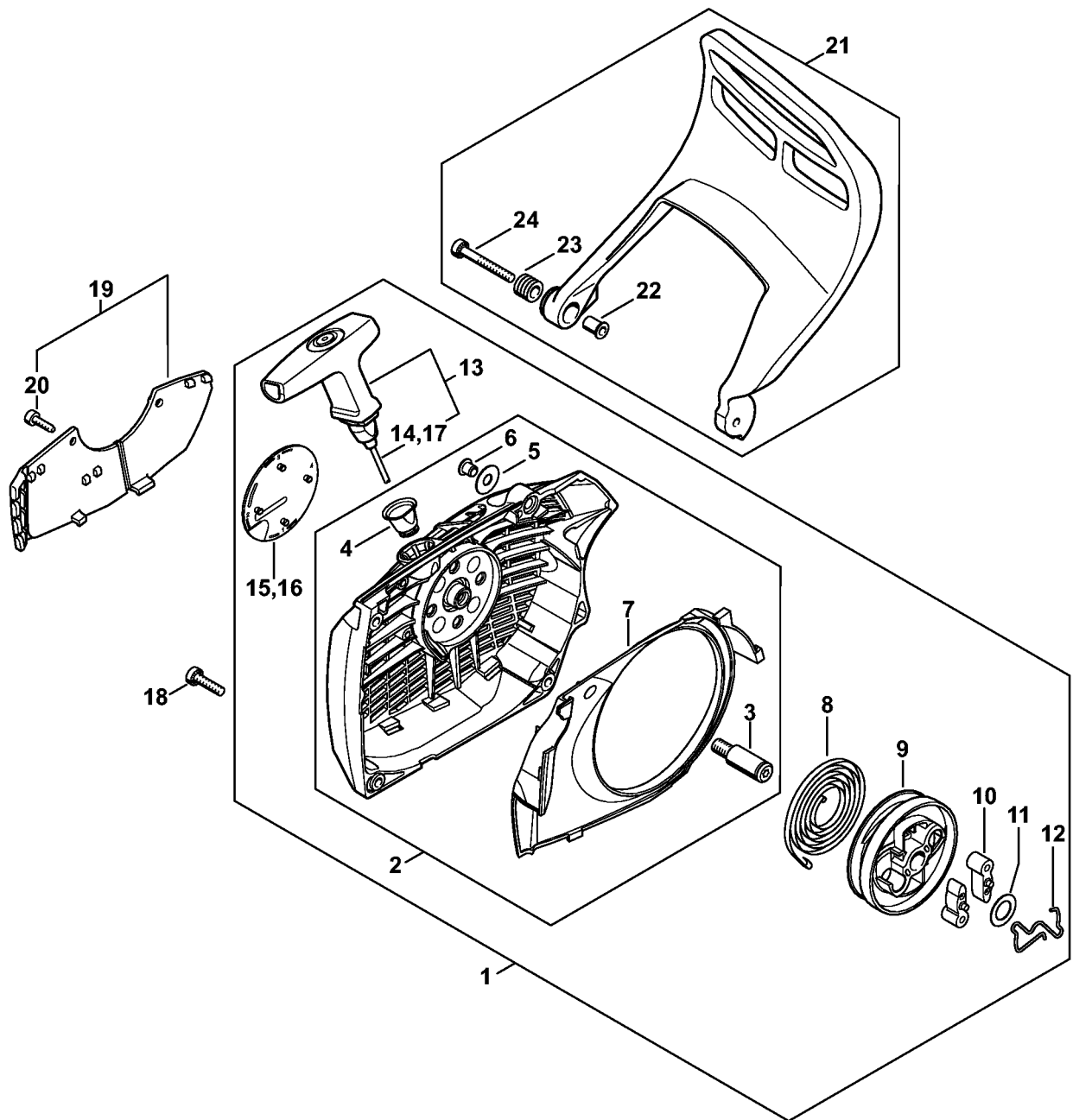
1144-GET-0085-A1

# Ignition system

#	Part Number	Description	Quantity	Contains Item(s)	Remarks
1	1144 400 1200	Flywheel	1		
3	9211 260 1340	Hexagon nut M10x1	1		
7	1144 400 1303	Ignition module	1	11 - 16	
11	0000 989 1002	Grommet	1		
12	0000 998 0604	Spark plug contact spring	1		
13	1128 405 1000	Spark plug boot	1		
14	1128 084 1400	Spark plug boot cover	1		
15	0000 448 1206	Lead retainer	1		
16	0000 405 0600	Ignition lead 1 m	1		
17	0000 930 2251	Ignition lead 10 m	1		
18	0000 400 7000	Spark plug NGK BPMR7A	1		
19	1110 400 7005	Spark plug Bosch WSR 6 F	1		
20	9022 341 0710	Spline screw IS-M4x20	2		
21	9022 341 0650	Spline screw IS-M4x10	1		
22	1144 440 3003	Wiring harness	1		
26	9104 003 3002	Self-tapping screw IS-P4x12	1		



# Rewind starter, Hand guard

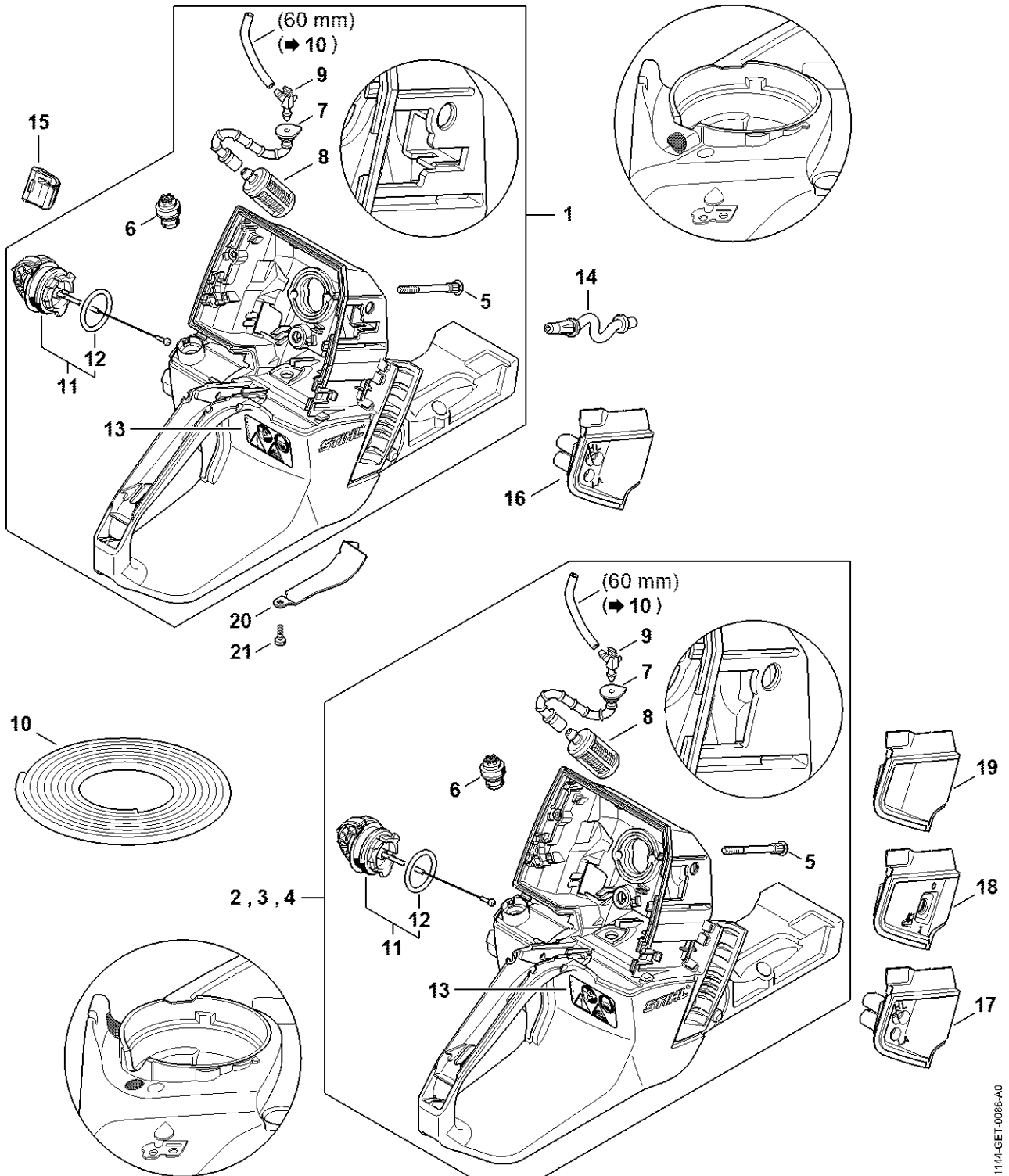


1144-GET-0025-A0

# Rewind starter, Hand guard

#	Part Number	Description	Quantity	Contains Item(s)	Remarks
1	1144 080 2102	Fan housing with rewind starter	1	2 - 16	
2	1144 080 1801	Fan housing	1	3 - 7	
3	1122 084 6502	Axle	1		
4	1110 084 9102	Bushing	1		
5	0000 958 0607	Washer	1		
6	9416 868 6530	Hollow rivet 6.5x0.5x6.8	1		
7	1144 084 7800	Segment	1		
8	1135 190 0600	Rewind spring	1		
9	1122 195 0400	Rope rotor	1		
10	1124 195 7200	Pawl	2		
11	1119 162 8925	Washer Ø 12 mm	1		
12	1124 195 3500	Spring	1		
13	1122 190 3400	Starter grip ElastoStart Ø 4,5 mm	1	14	
14	1122 190 2900	Starter rope Ø 4.5 mm	1		
15	1144 967 1500	Model plate MS 661	1		
17	0000 930 2268	Starter rope Ø 4.5mm / 28 pieces	1		
18	9022 371 1020	Spline screw IS-M5x20	3		
19	1144 080 7500	Cover plate	1	20	
20	9022 313 0658	Spline screw IS-M4x12	2		
21	1144 790 9100	Hand guard	1	22 - 24	
22	1124 792 5500	Bushing	1		
23	1124 792 5505	Bushing	1		
24	9022 341 1090	Spline screw IS-M5x40	1		

# Tank housing

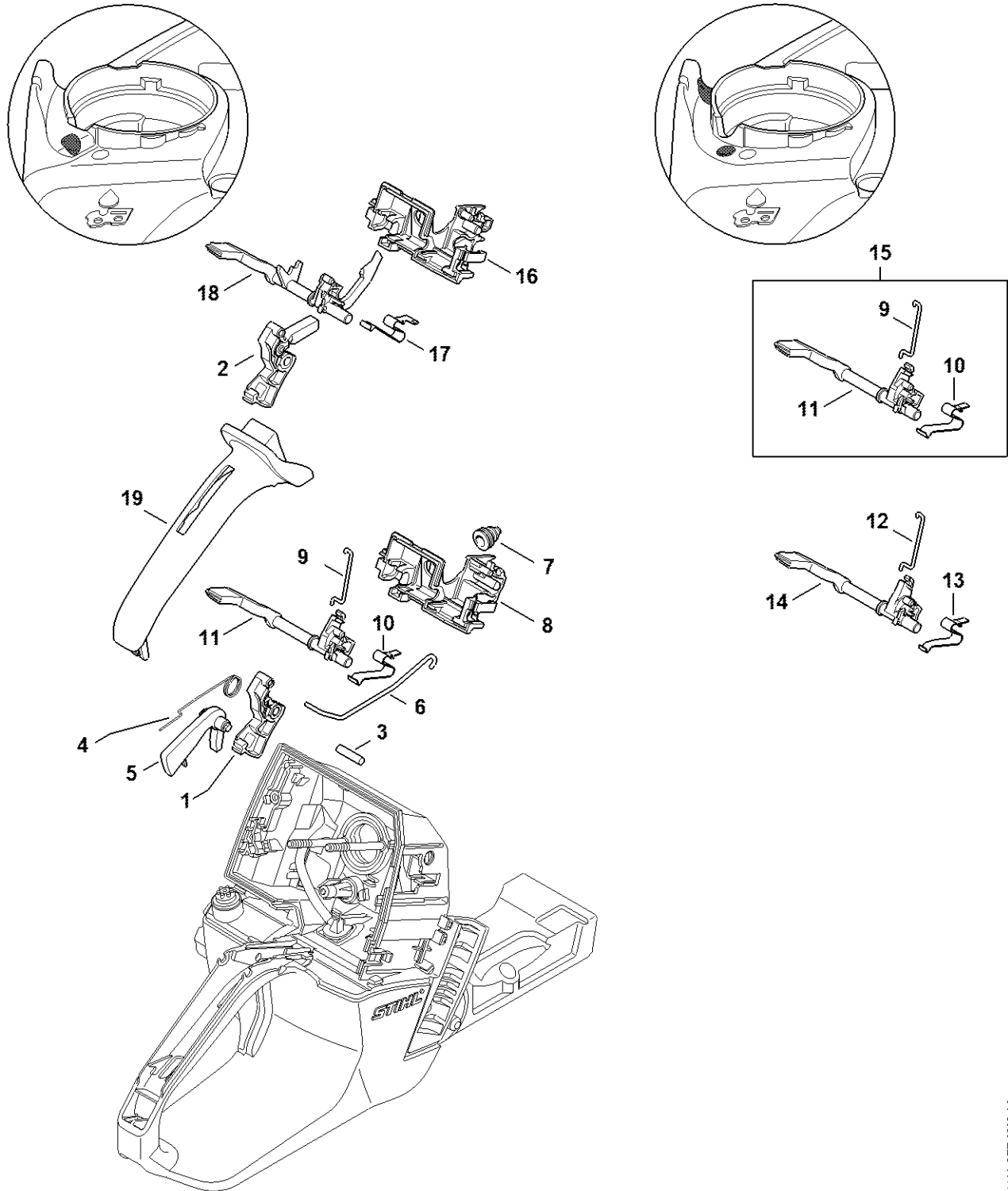


1144-GET-0086-A0

# Tank housing

#	Part Number	Description	Quantity	Contains Item(s)	Remarks
1	1144 350 0810	Tank housing	1	5 - 13	
5	1122 122 6602	Collar screw	2		
6	0000 350 5800	Tank vent	1		
7	1140 358 7706	Hose	1		
8	0000 350 3518	Pickup body	1		
9	1139 122 3900	Elbow connector	1		
10	0000 937 5004	Hose 3.1x5.7 mm x 1 m, R5	1		
11	0000 350 0533	Filler cap	1	12	
12	9645 948 7734	O-ring 25x3.5	1		
13	0000 967 7247	Warning pictogram MS	1		
14	1144 141 8600	Impulse hose	1		
15	1144 989 0800	Grommet	1		
16	1144 123 7504	Grommet	1		

# Throttle control

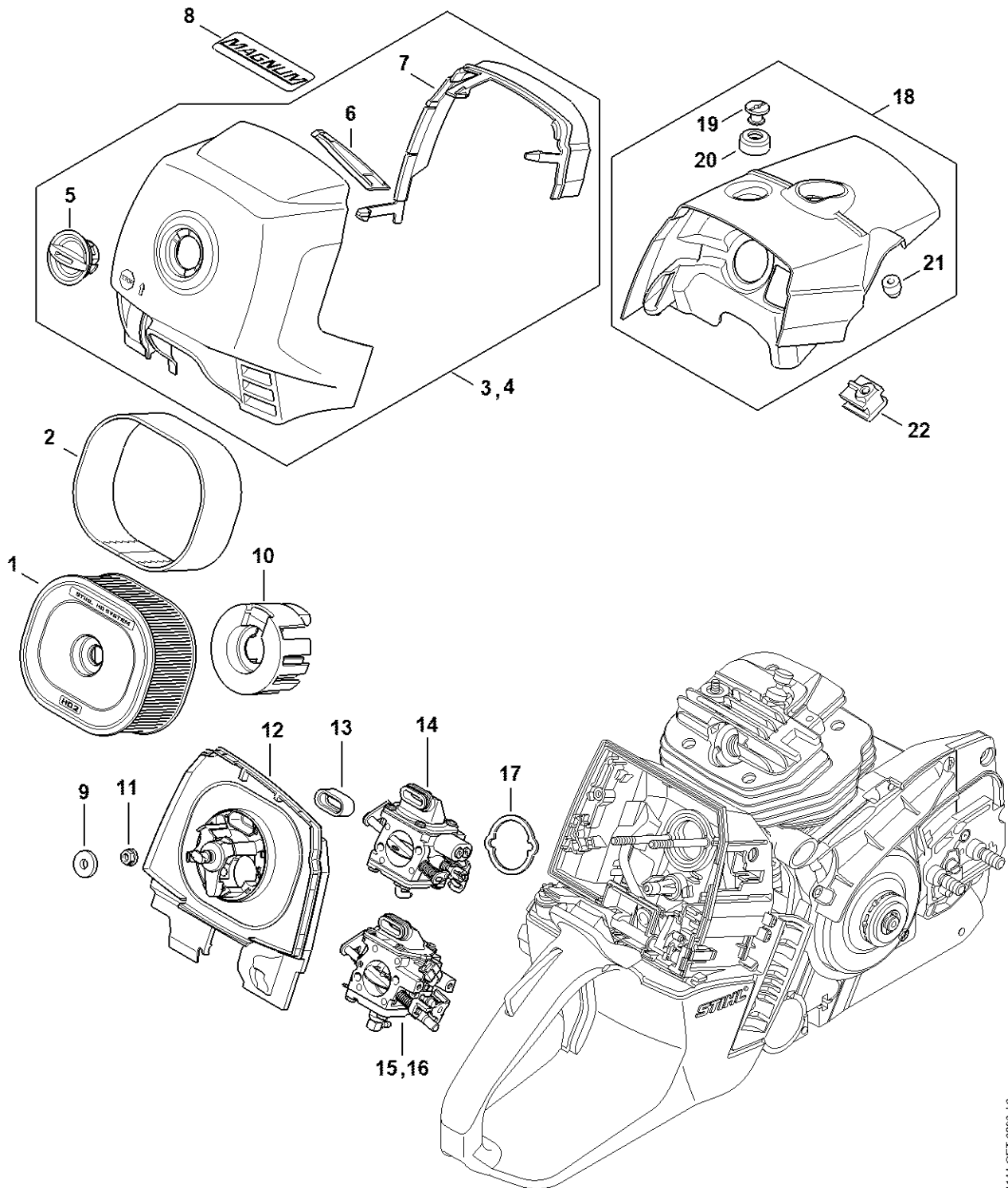


1144-GET-0089-A0

# Throttle control

#	Part Number	Description	Quantity	Contains Item(s)	Remarks
1	1144 182 1000	Throttle trigger	1		
3	9371 470 2620	Cylindrical pin 5x20	1		
4	1117 182 4500	Torsion spring	1		
5	1141 182 0800	Lockout lever	1		
6	1144 182 1500	Throttle rod	1		
7	1144 182 0700	Grommet	1		
8	1144 182 2100	Retainer	1		
9	1144 185 1901	Choke rod	1		
10	1144 442 1602	Contact spring	1		
11	1144 182 0901	Switch shaft	1		
19	1144 791 0600	Handle molding	1		

# Air filter, Shroud



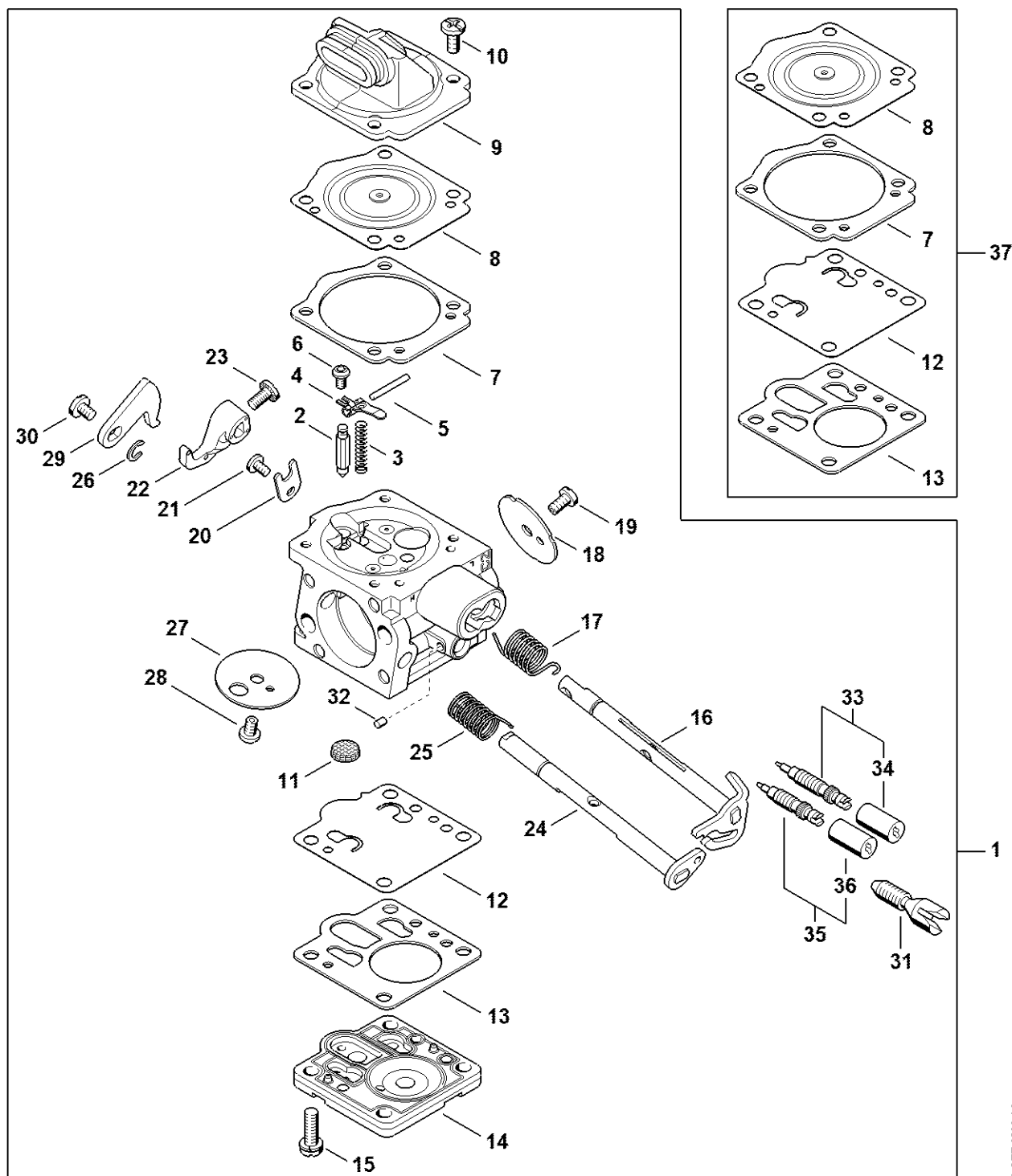
1144-GET-0095-A0

# Air filter, Shroud

#	Part Number	Description	Quantity	Contains Item(s)	Remarks
1	1144 140 4402	Air filter HD2	1		
2	0000 141 0602	Prefilter	1		
3	1144 140 1000	Filter cover	1	5 - 7	
5	1144 141 2300	Twist lock	1		
6	1144 141 4000	Slide	1		
7	1144 141 6300	Air baffle	1		
8	0000 967 1593	Model plate Magnum	1		
9	1144 129 0900	Gasket	1		
10	1144 121 6900	Baffle	1		
11	9216 261 0700	Hexagon nut M5	2		
12	1144 140 1200	Filter base	1		
13	1124 121 9100	Bushing	1		
14	1144 120 0602	Carburetor 1144/02	1		
17	1128 121 8600	Washer	1		
18	1144 080 1600	Shroud	1	19 - 21	
19	0000 084 7000	Slotted nut	1		
20	0000 084 6900	Insulator	1		
21	1121 084 7100	Cap	1		
22	1135 028 1001	Grommet	1		



# Carburetor 1144/02



1144-GET-003-A0

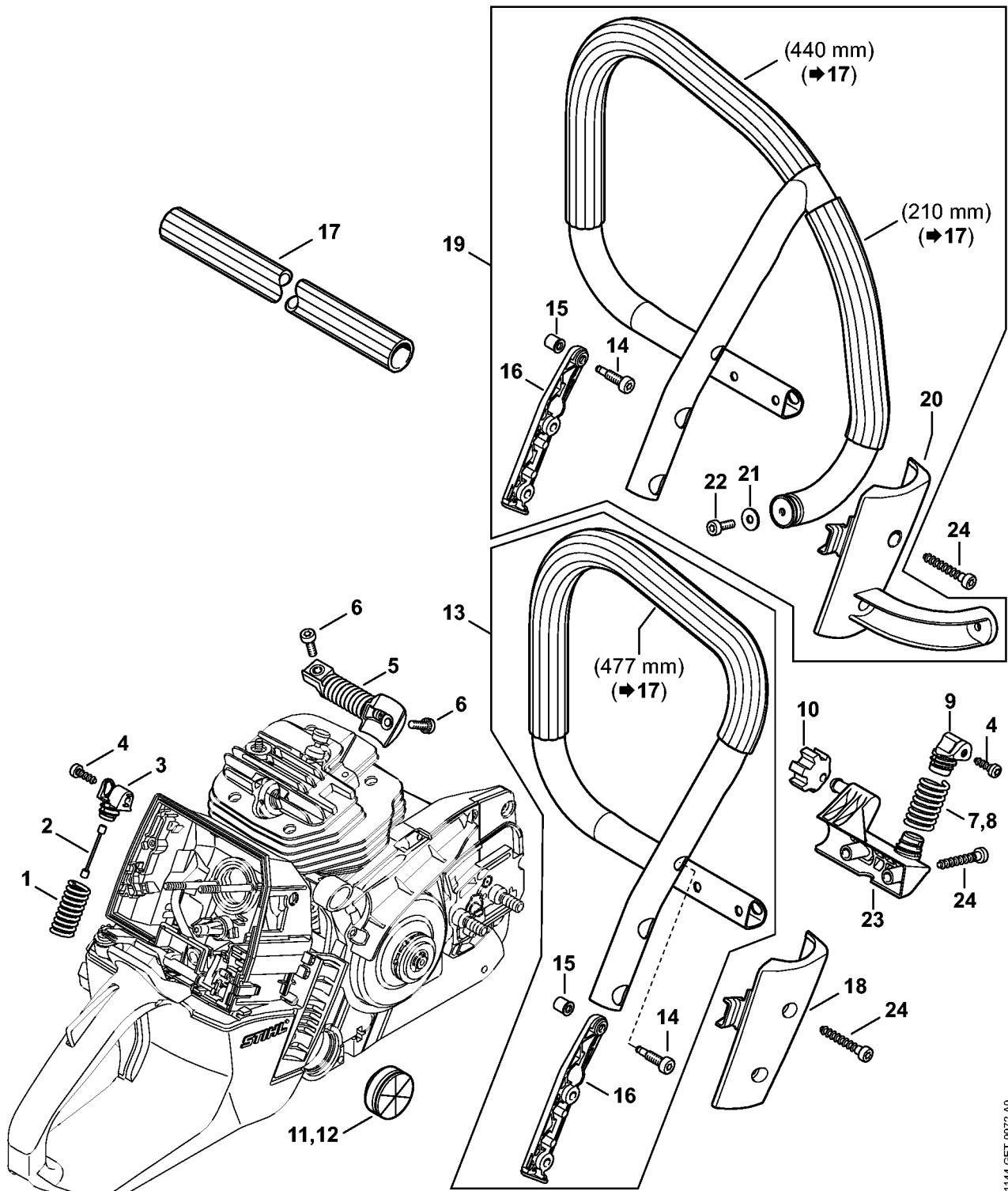
# Carburetor 1144/02

#	Part Number	Description	Quantity	Contains Item(s)	Remarks
1	1144 120 0602	Carburetor 1144/02	1	2 - 36	
2	4126 121 5170	Inlet needle	1		
3	1144 122 3001	Spring	1		
4	1119 121 5002	Inlet control lever	1		
5	1120 121 9200	Spindle	1		
6	0000 122 7101	Screw	1		
7	1144 129 0901	Gasket	1		
8	1144 121 4701	Metering diaphragm	1		
9	1144 121 0803	End cover	1		
10	1120 122 6601	Collar screw	4		
11	1123 121 7800	Strainer	1		
12	1144 121 4801	Pump diaphragm	1		
13	1144 129 0902	Gasket	1		
14	1144 120 2602	Pump cover	4		
15	1144 122 7101	Screw	1		
16	1144 120 7102	Throttle shaft with lever	1		
17	1144 122 3202	Torsion spring	1		
18	1144 121 3301	Throttle shutter	1		
19	1125 122 7402	Round head screw	1		
20	1144 122 9300	Clip	1		
21	1144 122 7400	Round head screw	1		
22	1144 121 3502	Throttle lever	1		
23	4132 122 6600	Collar screw	1		
24	1144 120 7202	Choke shaft with lever	1		
25	1144 122 3203	Torsion spring	1		
26	4282 122 9000	E-clip	2		
27	1144 121 2901	Choke shutter	1		

# Carburetor 1144/02

#	Part Number	Description	Quantity	Contains Item(s)	Remarks
28	1125 122 7403	Round head screw	1		
29	1144 121 6603	Lever	1		
30	9079 319 0280	Flat head screw M3x3.5	1		
31	1143 122 6203	Idle speed screw	1		
32	1125 122 4200	Clamp	1		
33	Z000 031 K018	Low speed screw kit	1	34	
34	Z000 061 A000	Limiter Cap assy	1		
35	Z000 030 K004	High speed screw kit	1	36	
36	Z000 061 A001	Limiter Cap assy	1		
37	1144 007 1701	Set of carburetor parts	1	7, 8, 12, 13	

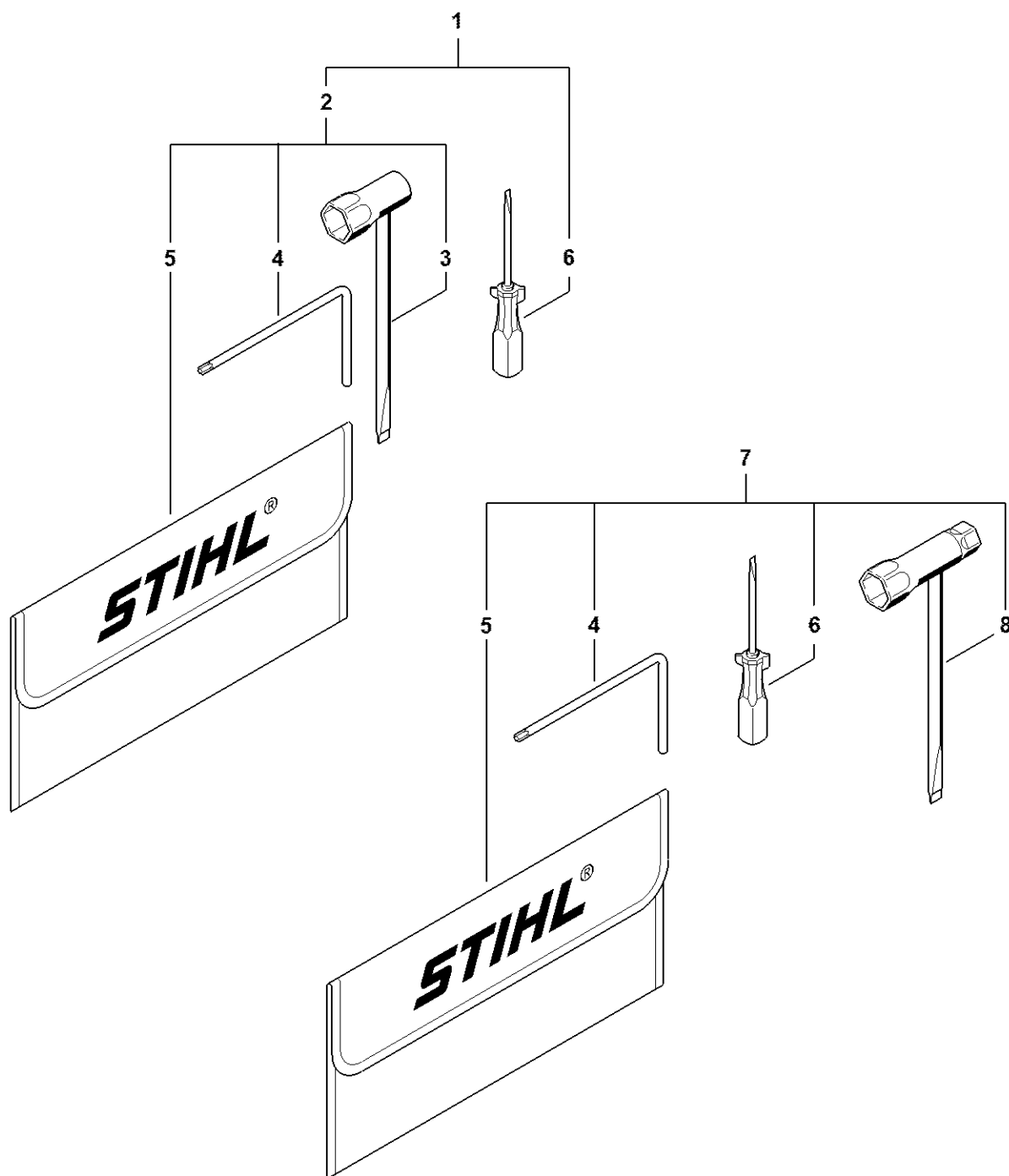
# AV system, Handlebar



1144-GET-0072-A0

# AV system, Handlebar

#	Part Number	Description	Quantity	Contains Item(s)	Remarks
1	1144 791 3100	Spring	1		
2	1144 790 8100	Retainer	1		
3	1144 792 2901	AV mount	1		
4	9074 477 4130	Pan head self-tapping screw IS-P5x16	2		
5	1144 790 8301	AV-Spring	1		
6	9022 341 0983	Spline screw IS-M5x16	2		
8	1144 791 3103	Spring	1		
9	1144 792 2906	AV mount	1		
10	1135 791 2800	Annular buffer	1		
12	1140 791 5901	Stop buffer	1		
13	1144 790 1702	Handlebar	1	14 - 16	
14	1141 791 6100	Collar screw	1		
15	0000 791 7904	Bushing	1		
16	1144 791 5100	Handlebar stiffener	1		
17	0000 791 2009	Handle hose Ø 19 mm x 5 m / 3/4x197"	1		
18	1144 791 7500	Cover	1		
23	1144 791 1900	Handlebar support	1		
24	9074 478 4705	Pan head self-tapping screw IS-P6x40	4		

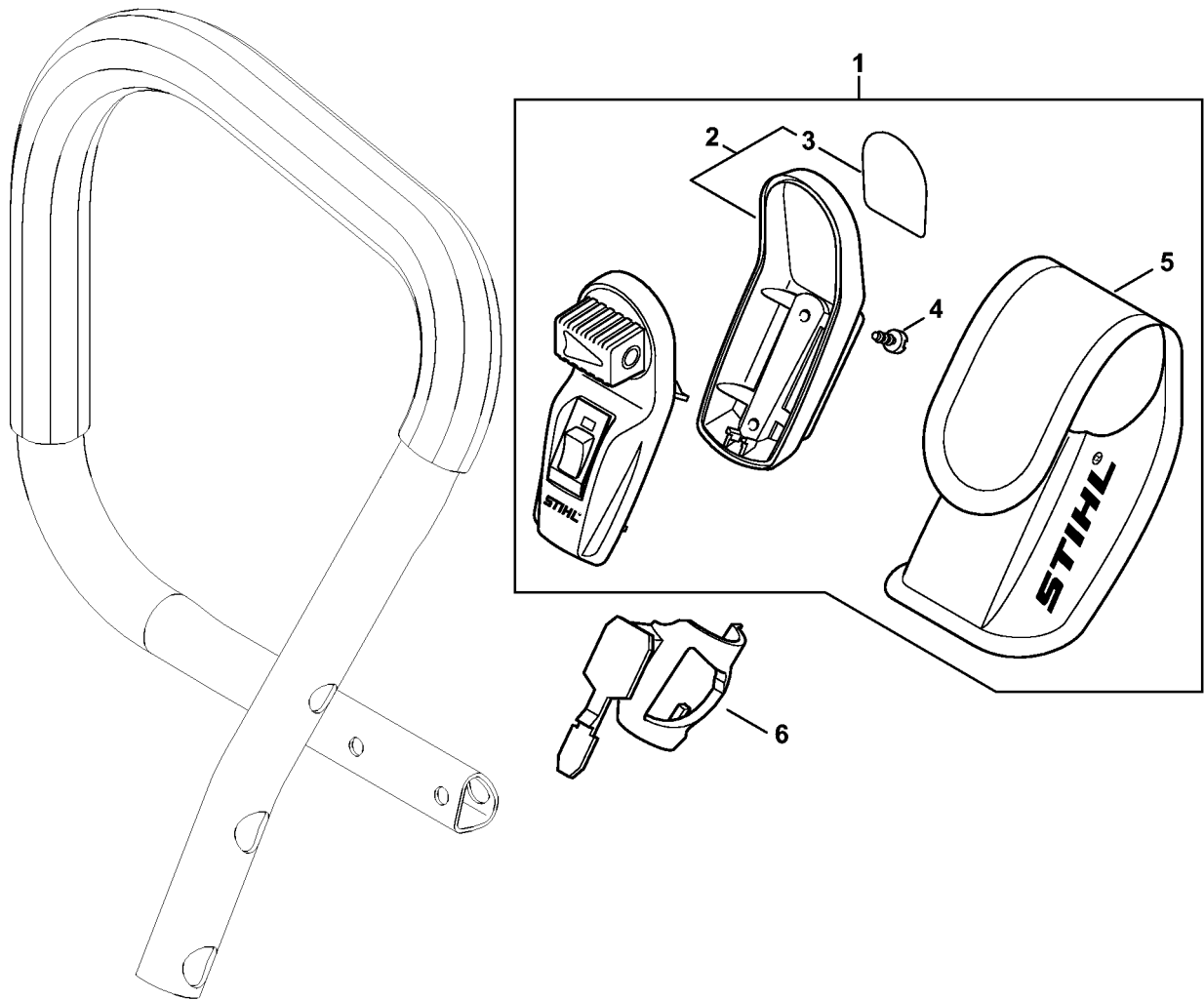


1144 GET 0094-A0

# Tools, Extras

#	Part Number	Description	Quantity	Contains Item(s)	Remarks
1	1144 890 1400	Tool kit	1	3 - 6	
3	1119 890 3405	Combination wrench	1		
4	0812 370 1000	Screwdriver T27x120x70	1		
5	0000 891 0810	Tool roll	1		

# 2-in-1 laser



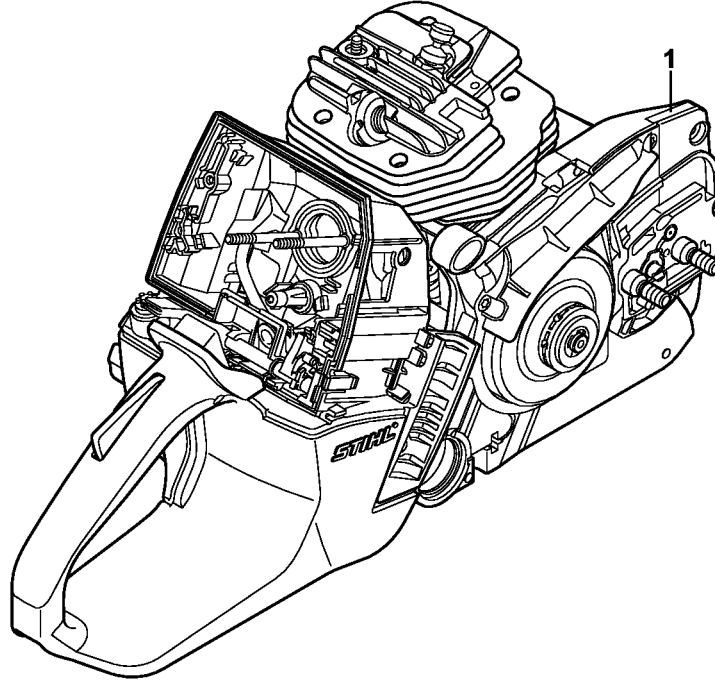
1144-GET-003&A0



## 2-in-1 laser

#	Part Number	Description	Quantity	Contains Item(s)	Remarks
1	0000 400 0200	Laser	1	2 - 5	
2	0000 430 9900	Handle molding, bottom	1	3	
3	0000 967 7307	Warning pictogram	1		
4	9074 478 2967	Pan head self-tapping screw IS-P4x10	2		
5	0000 491 0100	Bag	1		
6	1144 791 5400	Support	1		

# Serial number

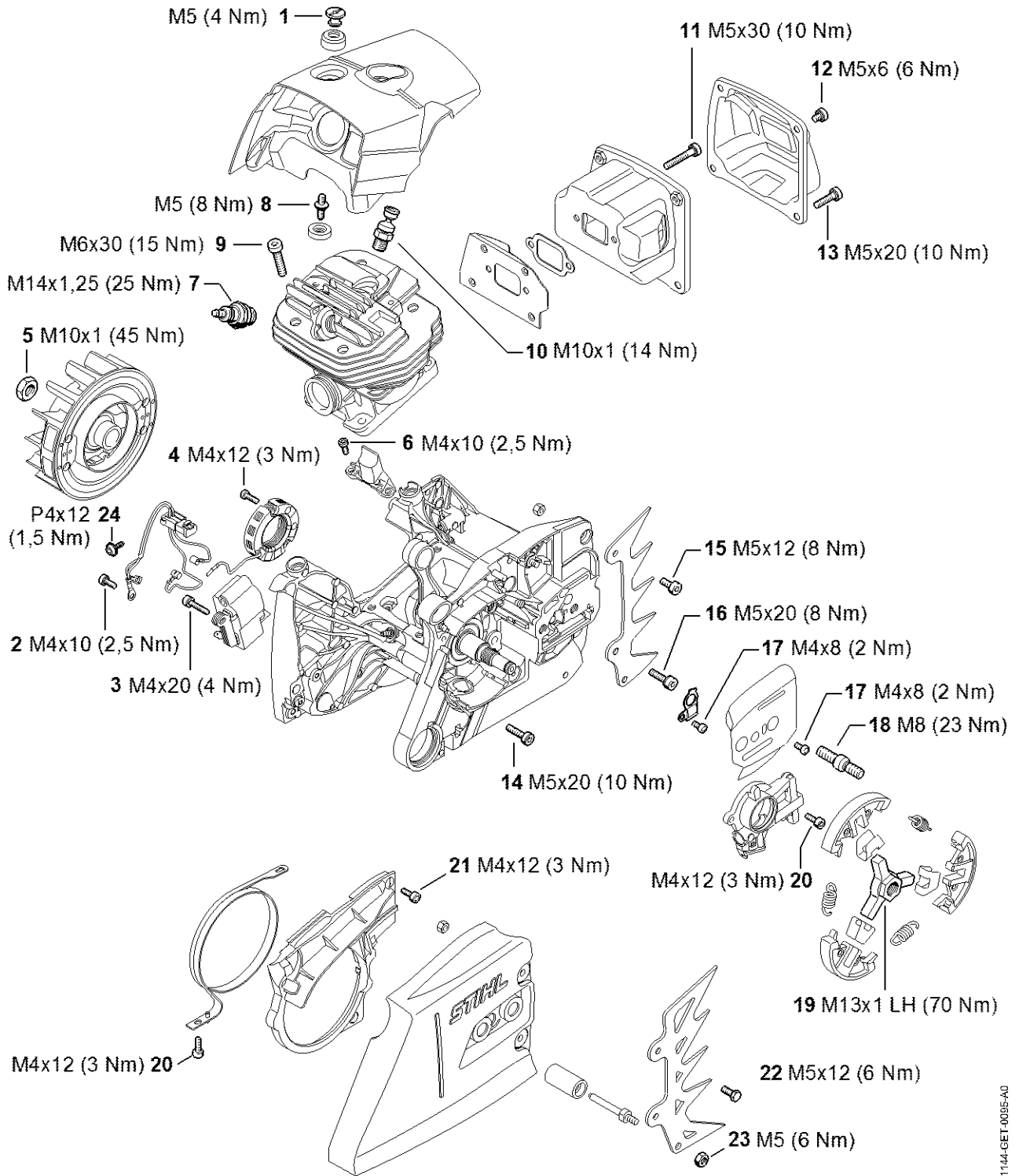


1166ET015 SC

# Serial number

#	Part Number	Description	Quantity	Contains Item(s)	Remarks
1		Position of serial number	1		

# Tightening torques



1144-GET-0035-A0

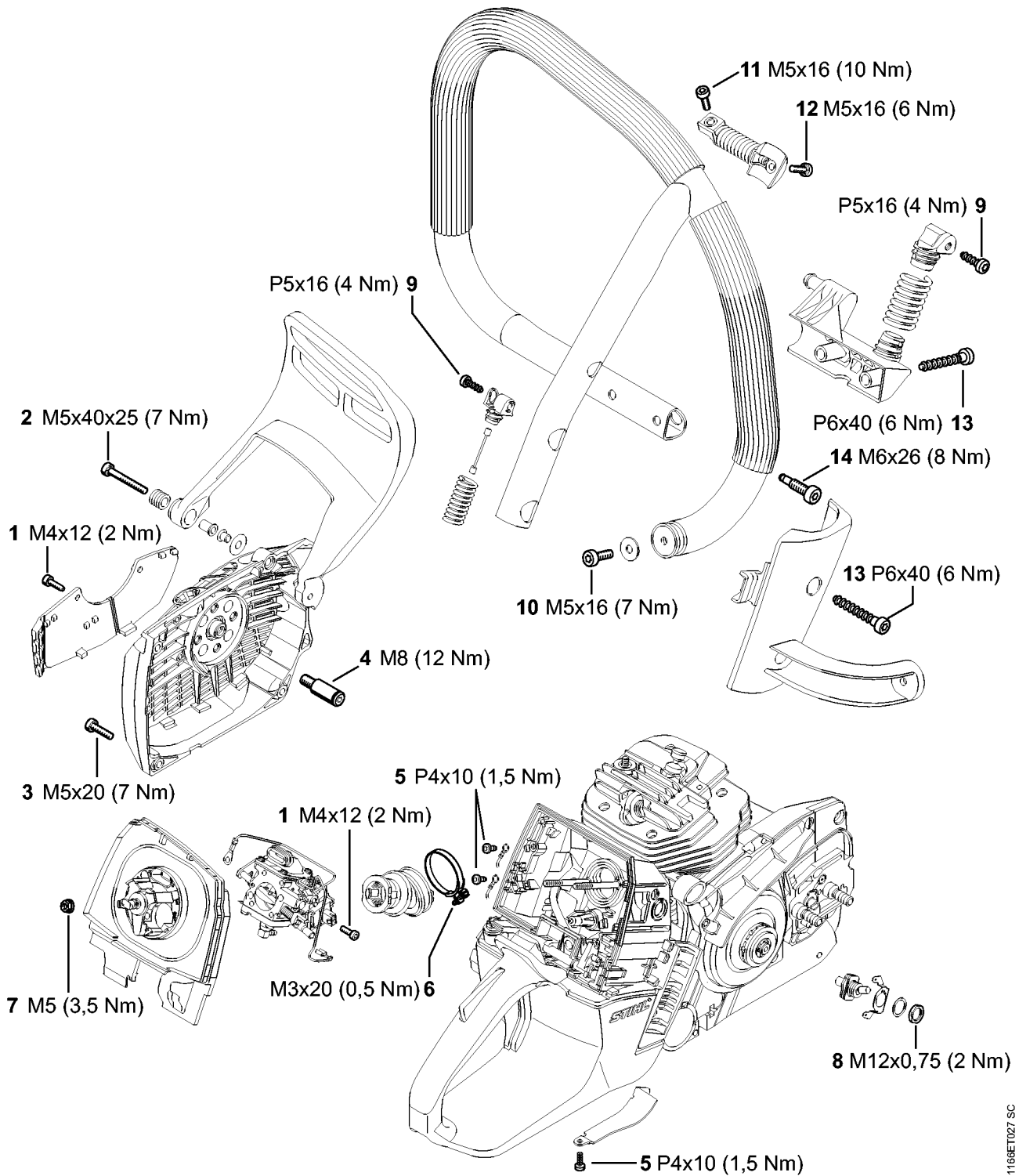
# Tightening torques

#	Part Number	Description	Quantity	Contains Item(s)	Remarks
1	0000 084 7000	Slotted nut	1		
2	9022 341 0650	Spline screw IS-M4x10	1		Micro-encapsulated with binding thread
3	9022 341 0710	Spline screw IS-M4x20	2		micro-encapsulated
5	9211 260 1340	Hexagon nut M10x1	1		
6	9022 313 0651	Spline screw IS-M4x10	2		micro-encapsulated
7	0000 400 7000	Spark plug NGK BPMR7A	1		
8	0000 953 0810	Stud M5	1		
9	9022 341 1370	Spline screw IS-M6x30	4		Binding thread
10	1124 020 9401	Decompression valve	1		
11	9022 373 1070	Spline screw IS-M5x30	2		High strength threadlocking adhesive
12	9022 341 0911	Spline screw IS-M5x6	2		Micro-encapsulated with binding thread
13	9022 399 1020	Spline screw IS-M5x20	2		Micro-encapsulated with binding thread
14	9022 371 1020	Spline screw IS-M5x20	6		Binding thread
15	9022 341 0960	Spline screw IS-M5x12	1		Binding thread
16	9022 341 1019	Spline screw IS-M5x20	1		micro-encapsulated
17	9022 313 0633	Spline screw IS-M4x8	2		Binding thread
18	0000 664 2417	Collar screw M8	2		Medium-high strength threadlocking adhesive
19	1144 160 2001	Clutch	1		

# Tightening torques

#	Part Number	Description	Quantity	Contains Item(s)	Remarks
20	9022 346 0658	Spline screw IS-M4x12	3		Micro-encapsulated with binding thread
21	9022 313 0660	Spline screw IS-M4x12	3		Binding thread
22	9008 345 0960	Hexagon head screw M5x12	2		
23	9214 320 0700	Lock nut M5	1		
24	9104 003 3002	Self-tapping screw IS-P4x12	1		

# Tightening torques



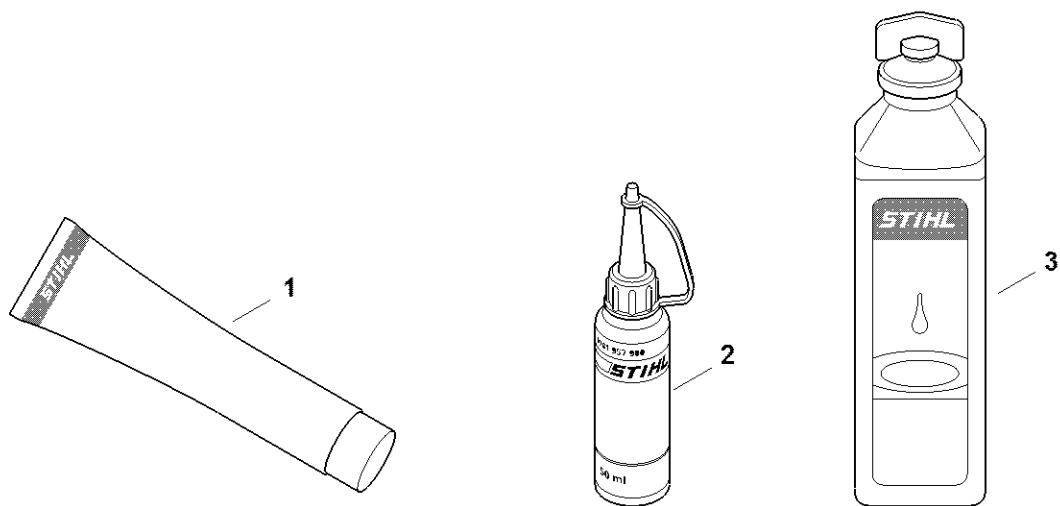
1168ET1027 SC

# Tightening torques

#	Part Number	Description	Quantity	Contains Item(s)	Remarks
1	9022 313 0658	Spline screw IS-M4x12	4		micro-encapsulated
2	9022 341 1090	Spline screw IS-M5x40	1		Binding thread
3	9022 371 1020	Spline screw IS-M5x20	3		Binding thread
4	1122 084 6502	Axle	1		micro-encapsulated
5	9074 478 2970	Pan head self-tapping screw IS-P4x10	3		
6	9771 021 2620	Hose clip Ø 36x5	1		
7	9216 261 0700	Hexagon nut M5	2		
9	9074 477 4130	Pan head self-tapping screw IS-P5x16	2		
11	9022 341 0983	Spline screw IS-M5x16	1		Micro-encapsulated with binding thread
12	9022 341 0983	Spline screw IS-M5x16	1		Micro-encapsulated with binding thread
13	9074 478 4705	Pan head self-tapping screw IS-P6x40	4		
14	1141 791 6100	Collar screw	1		



# Miscellaneous lubricants and greases

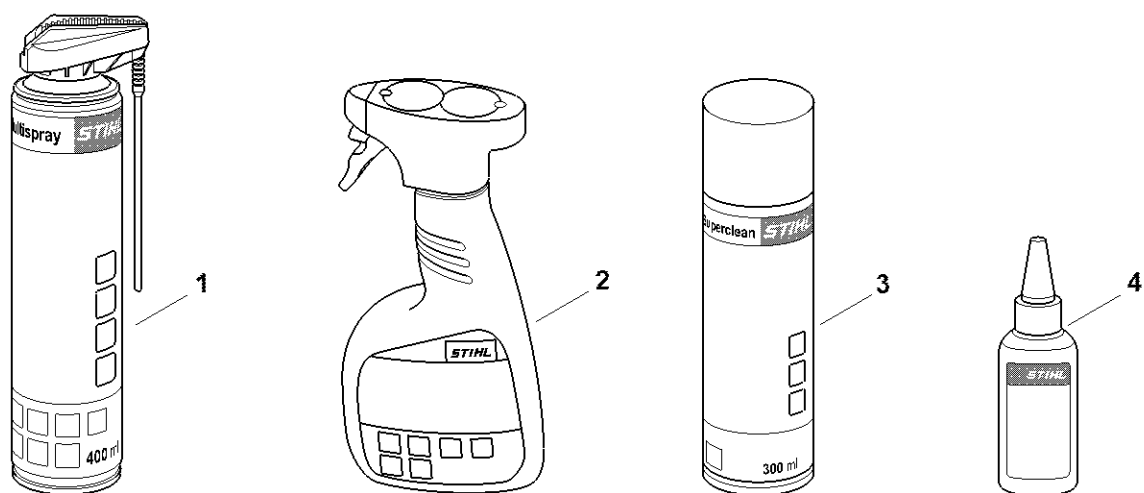


0000-GET-0170-A0

# Miscellaneous lubricants and greases

#	Part Number	Description	Quantity	Contains Item(s)	Remarks
1	0781 120 1021	STIHL Multilub 40g tube	1		
1	0781 120 1109	Multipurpose grease 80 g	1		
1	0781 120 1110	Multipurpose grease 225 g	1		
2	0781 957 9000	Press fluid OH 723	1		
3	0781 319 8401	HP 100ml	1		
3	0781 319 8052	HP Super 100ml	1		
3	0781 319 8060	HP Ultra 100ml	1		

# Cleaning products

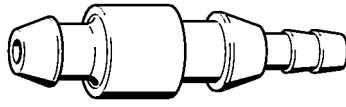


0000-GET-0171-A0

# Cleaning products

#	Part Number	Description	Quantity	Contains Item(s)	Remarks
1	0730 411 7002	Multispray 50 ml	1		
1	0730 411 7000	Multispray	1		
2	0000 881 9400	VarioClean 500 ml	1		
2	0000 881 9409	Special cleaner 5 l	1		
3	0782 420 1001	SuperClean 50 ml	1		
3	0782 420 1002	SuperClean 300 ml	1		
4	0782 516 8500	Multioil Bio 50 ml	1		

# Nipple



901SW008 GM

# Nipple

#	Part Number	Description	Quantity	Contains Item(s)	Remarks
	0000 855 9200	Nipple	1		

# Installing tool



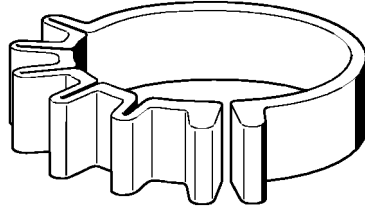
901SW009 GM

# Installing tool

#	Part Number	Description	Quantity	Contains Item(s)	Remarks
	0000 890 2201	Installing tool	1		
	9210 319 0900	Hexagon nut M6	1		



# Clamping strap



901SW011 GM

# Clamping strap

#	Part Number	Description	Quantity	Contains Item(s)	Remarks
	0000 893 2600	Clamping strap	1		

# Puller

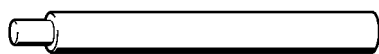


901SW017 GM

# Puller

#	Part Number	Description	Quantity	Contains Item(s)	Remarks
	1106 890 4501	Puller	1		
	0000 951 0920	Hexagon head screw M10x55	1		
	1107 894 1000	Thrust piece	1		

# Assembly drift

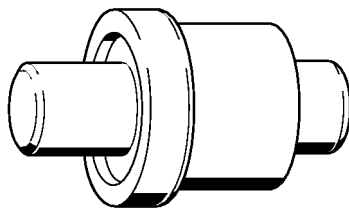


901SW023 GM

# Assembly drift

#	Part Number	Description	Quantity	Contains Item(s)	Remarks
	1108 893 4700	Assembly drift	1		

# Press arbor



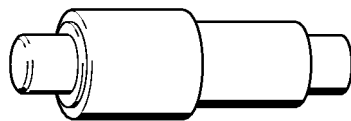
901 SW062 GM

# Press arbor

#	Part Number	Description	Quantity	Contains Item(s)	Remarks
	1118 893 7200	Press arbor	1		



# Press arbor



901SW067 GM

# Press arbor

#	Part Number	Description	Quantity	Contains Item(s)	Remarks
	1120 893 7200	Press arbor	1		

# Sealing plate

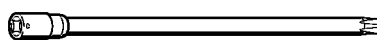


901 SW078 GM

# Sealing plate

#	Part Number	Description	Quantity	Contains Item(s)	Remarks
	0000 855 8106	Sealing plate	1		

# Socket, T27x125



901SW091 GM

# Socket, T27x125

#	Part Number	Description	Quantity	Contains Item(s)	Remarks
	0812 542 2104	Driver bit, 1/4" square drive, T27x125	1		

# Hose 135 mm / 5 5/16"

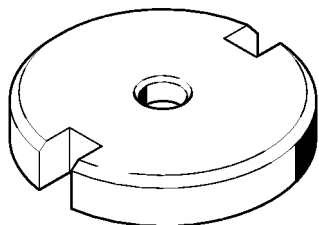


901SW100 GM

# Hose 135 mm / 5 5/16"

#	Part Number	Description	Quantity	Contains Item(s)	Remarks
	1110 141 8600	Hose 135 mm / 5 5/16"	1		





901SW11 GM

# Installing tool

#	Part Number	Description	Quantity	Contains Item(s)	Remarks
	1116 893 4800	Installing tool	1		

# Assembly tube

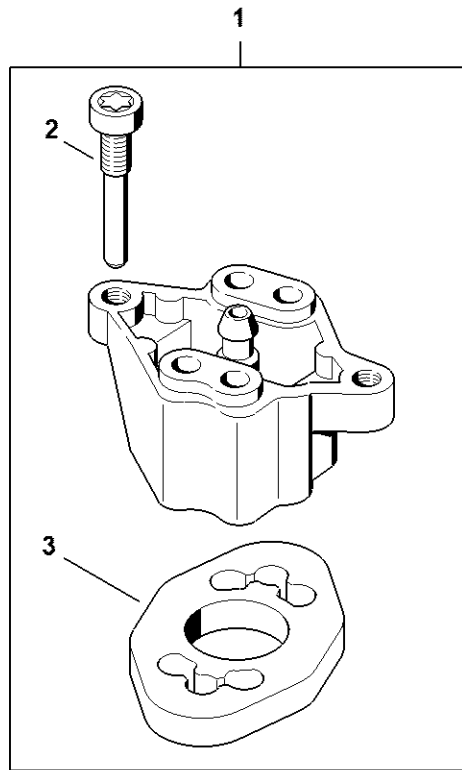


901SW112 GM

# Assembly tube

#	Part Number	Description	Quantity	Contains Item(s)	Remarks
	1117 890 0900	Assembly tube	1		

# Flange

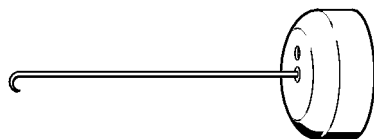


5910-GET-0183-A1

# Flange

#	Part Number	Description	Quantity	Contains Item(s)	Remarks
1	5910 850 4207	Flange	1	2, 3	
2	1128 855 9000	Screw M5x30	1		
3	5910 851 9901	Gasket	1		

# Assembly hook



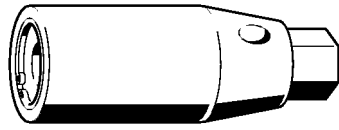
901SW205 GM

# Assembly hook

#	Part Number	Description	Quantity	Contains Item(s)	Remarks
	5910 890 2800	Assembly hook	1		



# Stud puller, M8



901SW209 GM

# Stud puller, M8

#	Part Number	Description	Quantity	Contains Item(s)	Remarks
	5910 893 0501	Stud puller, M8	1		

# Assembly hook

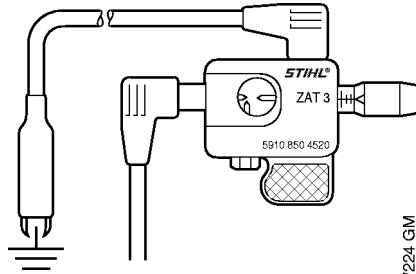


901SW221 GM

# Assembly hook

#	Part Number	Description	Quantity	Contains Item(s)	Remarks
	5910 893 8800	Assembly hook	1		

# Ignition system tester, ZAT 3

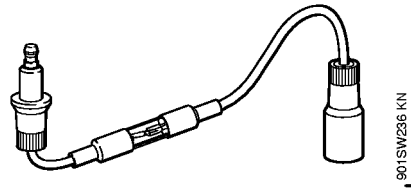


901 SW224 GM

# Ignition system tester, ZAT 3

#	Part Number	Description	Quantity	Contains Item(s)	Remarks
	5910 850 4520	Ignition system tester, ZAT 3	1		

# Ignition system tester, ZAT 4

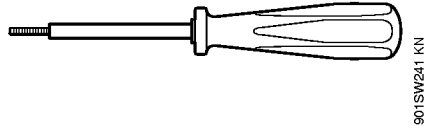


# Ignition system tester, ZAT 4

#	Part Number	Description	Quantity	Contains Item(s)	Remarks
	5910 850 4503	Ignition system tester, ZAT 4	1		



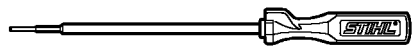
# Puller



# Puller

#	Part Number	Description	Quantity	Contains Item(s)	Remarks
	5910 890 4500	Puller	1		

# Screwdriver

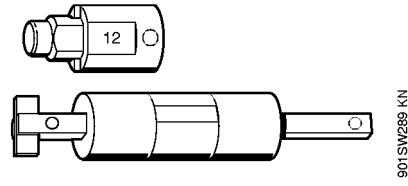


901SW282 KN

# Screwdriver

#	Part Number	Description	Quantity	Contains Item(s)	Remarks
	5910 890 2304	Screwdriver	1		

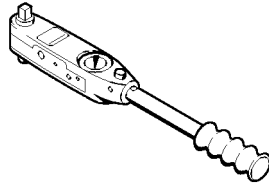
# Installing tool, 12



# Installing tool, 12

#	Part Number	Description	Quantity	Contains Item(s)	Remarks
	5910 890 2212	Installing tool, 12	1		
	5910 893 1706	Sleeve	1		

# Torque wrench with optical/acoustic signal



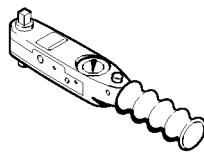
901SW290 KN

# Torque wrench with optical/acoustic signal

#	Part Number	Description	Quantity	Contains Item(s)	Remarks
	5910 890 0312	Torque wrench with optical/acoustic signal	1		



# Torque wrench with optical/acoustic signal

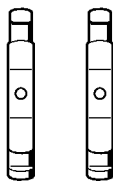


901SW292 KN

# Torque wrench with optical/acoustic signal

#	Part Number	Description	Quantity	Contains Item(s)	Remarks
		Torque wrench	1		

# Jaw (profile No. 3.1 and 4)

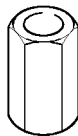


901 SW932 GIM

## Jaw (profile No. 3.1 and 4)

#	Part Number	Description	Quantity	Contains Item(s)	Remarks
	0000 893 3706	Jaw (profile No. 3.1 and 4)	1		

# Screw sleeve



901 SW639 CIM

# Screw sleeve

#	Part Number	Description	Quantity	Contains Item(s)	Remarks
	5910 893 2421	Screw sleeve	1		

# Plug



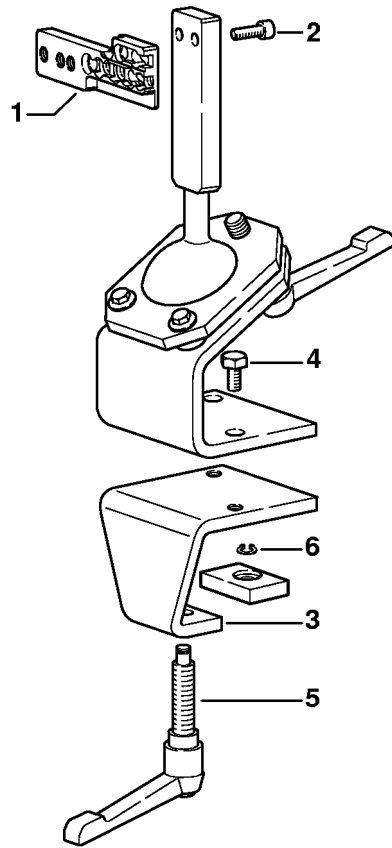
901SW357 GM

# Plug

#	Part Number	Description	Quantity	Contains Item(s)	Remarks
	1122 025 2200	Plug	1		



# Assembly stand

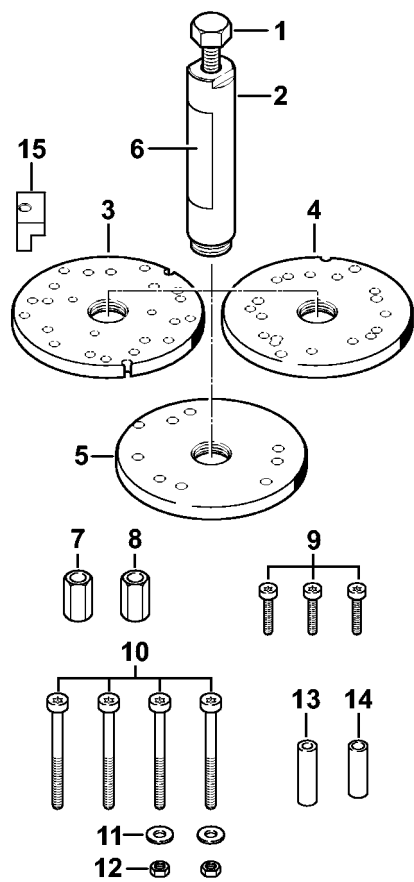


9015W363 SC

# Assembly stand

#	Part Number	Description	Quantity	Contains Item(s)	Remarks
	5910 890 3101	Assembly stand	1	1 - 6	
1	5910 850 1651	Support	1		
2	9045 319 2390	Socket head screw M10x25	2		
3	5910 850 2100	Clamping plate	1	4 - 6	
4	9008 319 2930	Hexagon head screw M12x20	2		
5	5910 890 1901	Clamp lever	1		
6	9455 621 0850	Circlip 10x1	1		

# Service tool ZS

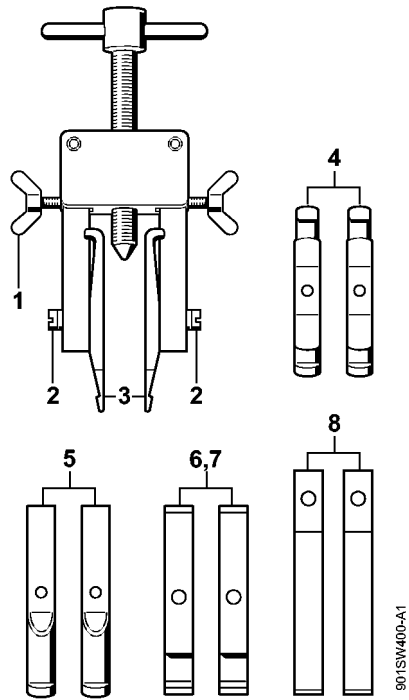


5910-GET-0121-A0

# Service tool ZS

#	Part Number	Description	Quantity	Contains Item(s)	Remarks
	5910 007 2201	Service tool ZS	1	1 - 15	
<b>1</b>	5910 893 8505	Spindle ZS	1		
<b>2</b>	5910 890 1800	Screw sleeve	1	1, 6	
<b>3</b>	5910 893 2101	Drilled plate	1		
<b>4</b>	5910 893 2102	Drilled plate	1		
<b>5</b>	5910 890 0550	Drilled plate	1	6	
<b>6</b>	5910 967 3500	Instruction label	1		
<b>7</b>	5910 893 2420	Screw sleeve	1		
<b>8</b>	5910 893 2421	Screw sleeve	1		
<b>9</b>	9022 313 0740	Spline screw IS-M4x25	3		
<b>10</b>	9022 341 1190	Spline screw IS-M5x72	4		
<b>11</b>	9307 021 0120	Washer 5.3	2		
<b>12</b>	9210 260 0700	Hexagon nut M5	2		
<b>13</b>	5910 893 1702	Sleeve	1		
<b>14</b>	5910 893 1701	Sleeve	1		
<b>15</b>	5910 893 8700	Thrust piece	1		

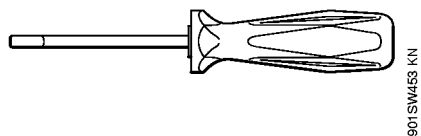
# Puller



# Puller

#	Part Number	Description	Quantity	Contains Item(s)	Remarks
	5910 890 4400	Puller	1	1 - 8	
1	9157 691 0980	Wing screw M5x16	2		
2	9044 319 0980	Pan head screw M5x16	2		
3	0000 893 3700	Jaw (profile No. 1 and 2)	2		
4	0000 893 3706	Jaw (profile No. 3.1 and 4)	2		
5	0000 893 3711	Jaw (profile No. 6)	2		
6	0000 893 3703	Jaw (profile No. 7)	2		
7	0000 893 3704	Jaw (profile No. 8)	2		
8	0000 893 3707	Jaw (profile No. 9)	2		

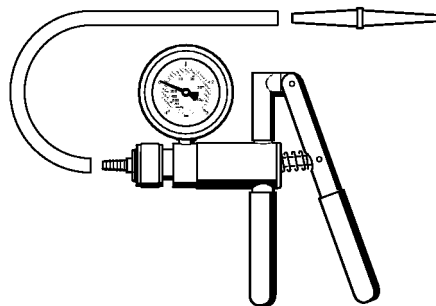
# Punchdown tool



# Punchdown tool

#	Part Number	Description	Quantity	Contains Item(s)	Remarks
	5910 890 4000	Punchdown tool	1		





901SW486 GM

# Pump

#	Part Number	Description	Quantity	Contains Item(s)	Remarks
	0000 850 1300	Pump	1		
	0000 855 9201	Nipple	1		
	0000 855 0100	Hose	1		

# Stud puller, M8-9.5

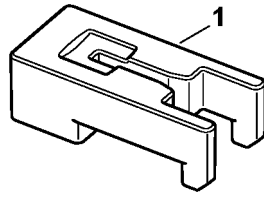


901SW503 GM

# Stud puller, M8-9.5

#	Part Number	Description	Quantity	Contains Item(s)	Remarks
	5910 890 3001	Stud driver M8-9.5	1		

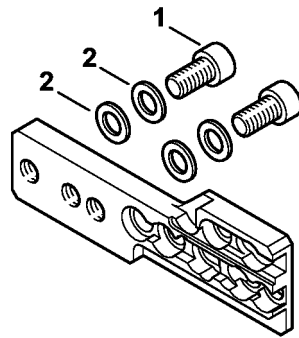
# Piston support



5910-GET-0001-A0

# Piston support

#	Part Number	Description	Quantity	Contains Item(s)	Remarks
1	5910 893 5301	Piston support	1		



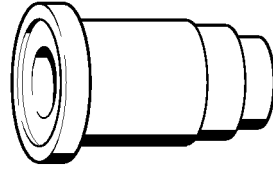
9015W547 SC

# Support

#	Part Number	Description	Quantity	Contains Item(s)	Remarks
	5910 850 1651	Support	1	1, 2	
<b>1</b>	9045 319 2390	Socket head screw M10x25	2		
<b>2</b>	9291 021 3870	Washer 10.5x20x1.5	4		



# Press sleeve

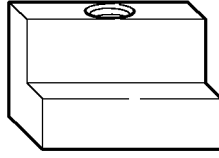


901SW568 KN

# Press sleeve

#	Part Number	Description	Quantity	Contains Item(s)	Remarks
	1144 893 2400	Press sleeve	1		

# Thrust piece

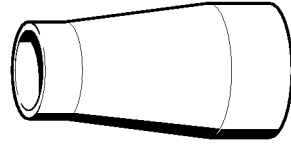


901SW570 KN

# Thrust piece

#	Part Number	Description	Quantity	Contains Item(s)	Remarks
	5910 893 8700	Thrust piece	1		

# Installing sleeve

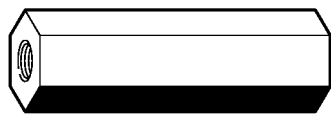


901SW571 KN

# Installing sleeve

#	Part Number	Description	Quantity	Contains Item(s)	Remarks
	1144 893 4600	Installing sleeve	1		

# Screw sleeve



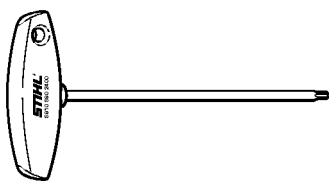
901SW572 KN

# Screw sleeve

#	Part Number	Description	Quantity	Contains Item(s)	Remarks
	5910 893 2202	Screw sleeve	1		



# Screwdriver, T27x150

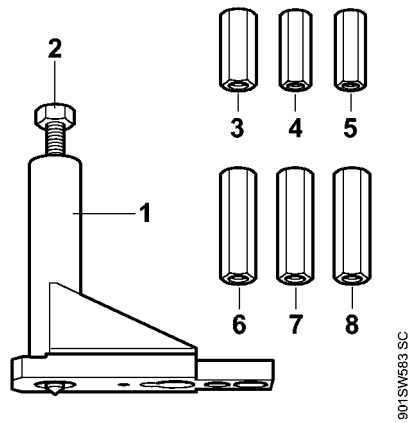


901SW575 KN

# Screwdriver, T27x150

#	Part Number	Description	Quantity	Contains Item(s)	Remarks
	5910 890 2400	Screwdriver, T27x150	1		

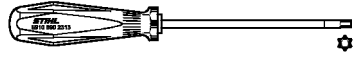
# Service tool AS



# Service tool AS

#	Part Number	Description	Quantity	Contains Item(s)	Remarks
	5910 007 2222	Service tool AS	1	1 - 8	
1	5910 890 2222	Service tool AS	1	2	
2	5910 893 8500	Spindle AS	1		
3	5910 893 2405	Screw sleeve	1		
4	5910 893 2406	Screw sleeve	1		
5	5910 893 2407	Screw sleeve	1		
6	5910 893 2408	Screw sleeve	1		
7	5910 893 2409	Screw sleeve	1		
8	5910 893 2202	Screw sleeve	1		

# Screwdriver, T10

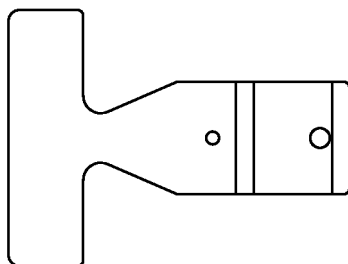


901SW691 SC

# Screwdriver, T10

#	Part Number	Description	Quantity	Contains Item(s)	Remarks
	5910 890 2313	Screwdriver, T10	1		

# Setting gauge



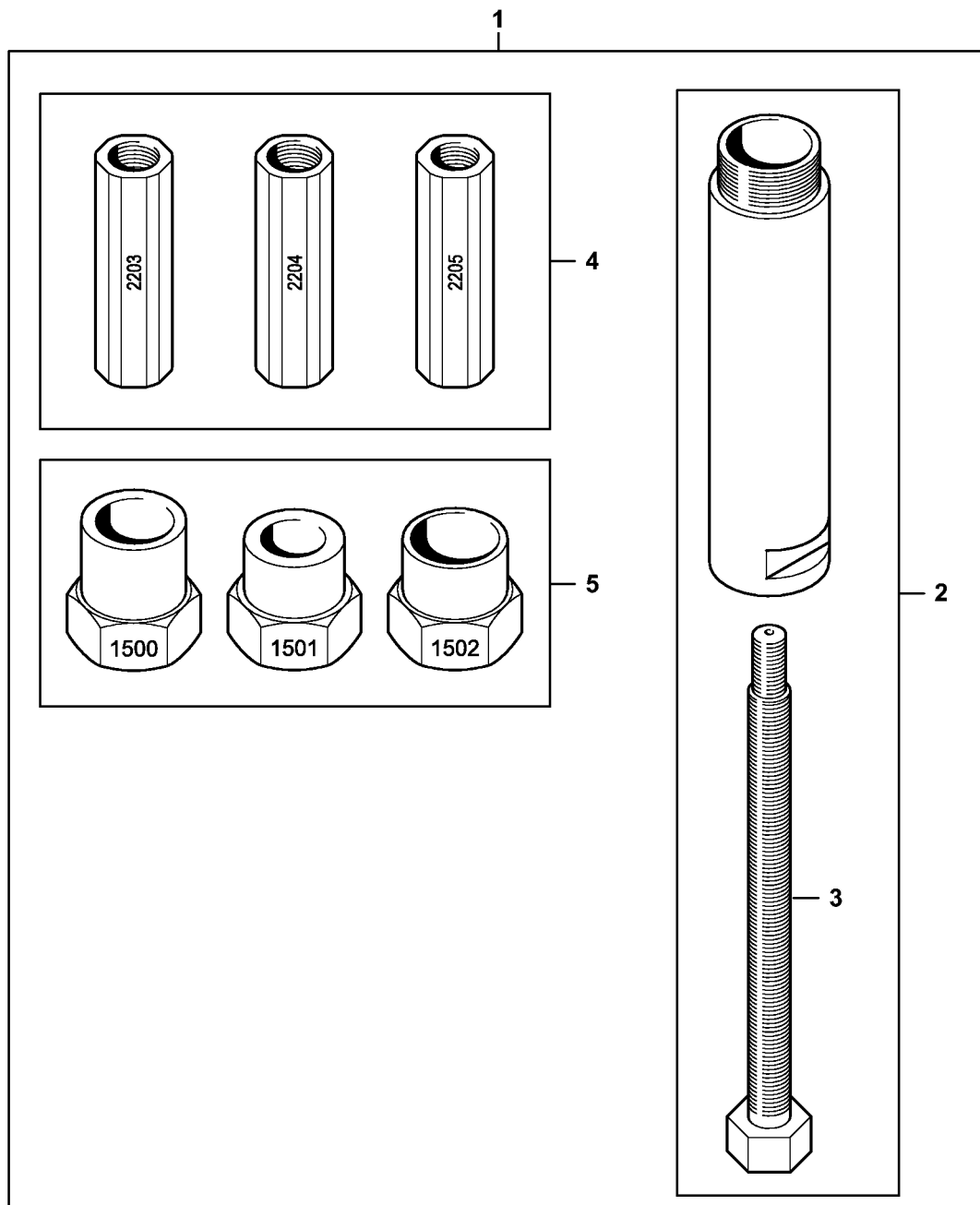
901SW605 SC

# Setting gauge

#	Part Number	Description	Quantity	Contains Item(s)	Remarks
	0000 890 6401	Setting gauge	1		



# Installing tool AS

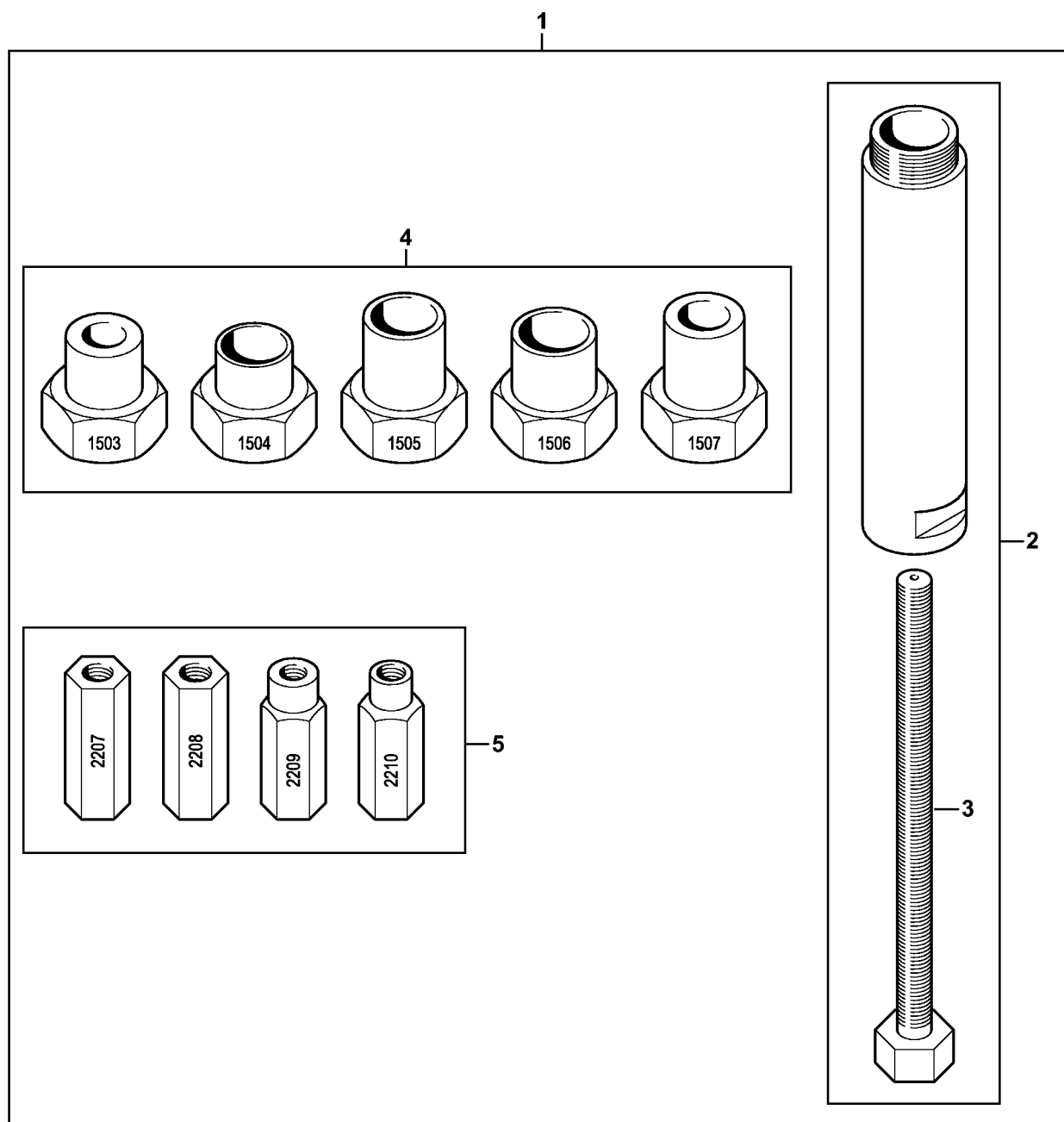


5610-GET-0129-A0

# Installing tool AS

#	Part Number	Description	Quantity	Contains Item(s)	Remarks
1	5910 850 5220	Installing tool AS	1	2 - 5	<a href="http://stihl.com/sxyRs8">http://stihl.com/sxyRs8</a>
2	5910 890 8401	Spindle AS	1	3	
3	5910 893 8503	Spindle M8x1-LH AS	1		
4	5910 007 1009	Set of screw sleeves AS	1		
5	5910 007 1007	Adapter kit AS	1		

# Installing tool LS



9510-GET-0130-A0

# Installing tool LS

#	Part Number	Description	Quantity	Contains Item(s)	Remarks
1	5910 850 5221	Installing tool LS	1	2 - 5	<a href="http://stihl.com/sxyRs8">http://stihl.com/sxyRs8</a>
2	5910 890 8402	Spindle LS	1	3	
3	5910 893 8504	Spindle M8x1 LS	1		
4	5910 007 1008	Adapter kit LS	1		
5	5910 007 1010	Set of screw sleeves LS	1		