

# MS 462 C-M R RET- TUNGSSÄGE

Spare Parts List

02/08/2023

Indonesia, English

## STIHL M-Tronic

### Wrap handle

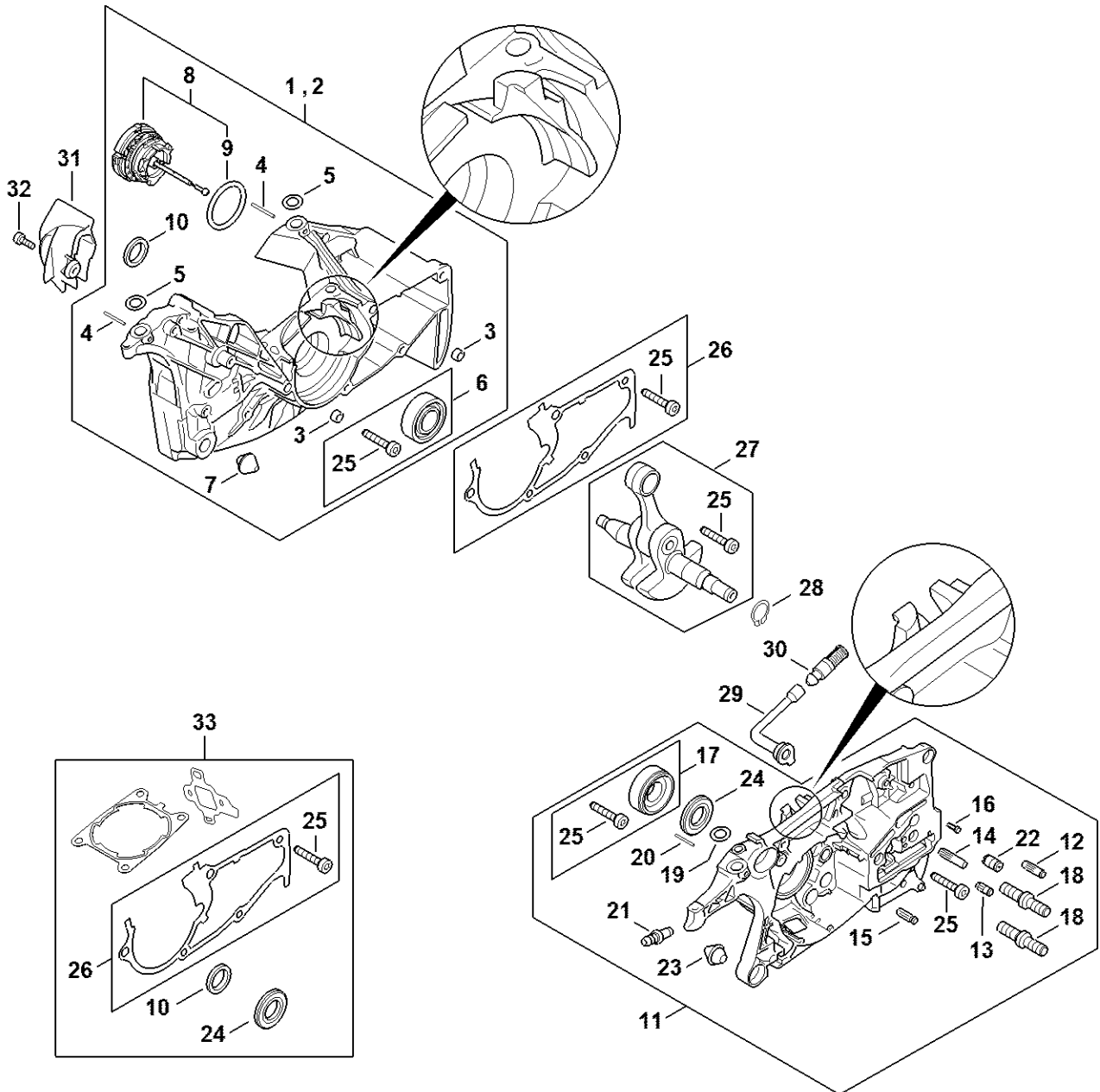
## Contents

Crankcase .....	3	Testing tool kit .....	61
Crankcase .....	6	Sealing plate .....	63
Cylinder, Muffler .....	9	Installing tool .....	65
Cylinder, Muffler .....	11	Screwdriver .....	67
Oil pump, Clutch .....	13	Assembly hook .....	69
Chain brake, Chain tensioner .....	15	Puller .....	71
Ignition system M-Tronic .....	17	Locking strip .....	73
Rewind starter Rescue saw .....	19	Pliers A10 .....	75
Tank housing .....	21	Socket, T20x125 .....	77
Throttle control M-Tronic .....	23	Socket, T27x125 .....	79
Carburetor bracket, Air filter, Shroud M-Tronic .....	25	Assembly drift .....	81
Carburetor 1142/03 .....	27	Press sleeve .....	83
Carburetor 1142/07 .....	30	Press sleeve .....	85
Carburetor 1142/01 .....	33	Nipple .....	87
AV system .....	36	Nipple .....	89
Handlebar .....	38	Hose 135 mm / 5 5/16" .....	91
Rescue saw .....	40	Test flange .....	93
Tools, Extras .....	42	Flange .....	95
Serial number .....	44	Sleeve .....	97
Tightening torques .....	46	Installing sleeve .....	99
Tightening torques .....	49	Press sleeve .....	101
Miscellaneous lubricants and greases .....	51	Assembly tube .....	103
Cleaning products .....	53	Setting gauge .....	105
Clamping strap .....	55	Ignition system tester, ZAT 4 .....	107
Piston support .....	57	Ignition system tester, ZAT 3 .....	109
Puller .....	59	Torque wrench with optical/acoustic signal .....	111

# Contents

Torque wrench with optical/acoustic signal .....	113
Torque wrench .....	115
Torque wrench .....	117
Installing tool, 12 .....	119
Service tool AS .....	121
Screwdriver .....	123
Screwdriver, T20 .....	125
Screwdriver, T27x150 .....	127
Screwdriver, Q-4x150 .....	129
Screwdriver, T27x200 .....	131
Stud puller, M8-9.5 .....	133
Assembly stand .....	135
Punchdown tool .....	137
Puller .....	139
Screwdriver, Q-SW 8x200 .....	141
Stud puller, M8 .....	143
Socket, 13 mm, long reach .....	145
Socket, 13 mm .....	147
Socket, 17 mm .....	149
Socket, S19x12.5L .....	151
Assembly hook .....	153
Collar screw .....	155
Puller .....	157
Screwdriver, T10 .....	159
Screwdriver, T8 .....	161
Installing tool AS .....	163
Installing tool LS .....	165

# Crankcase



1142-GET-0036-A0

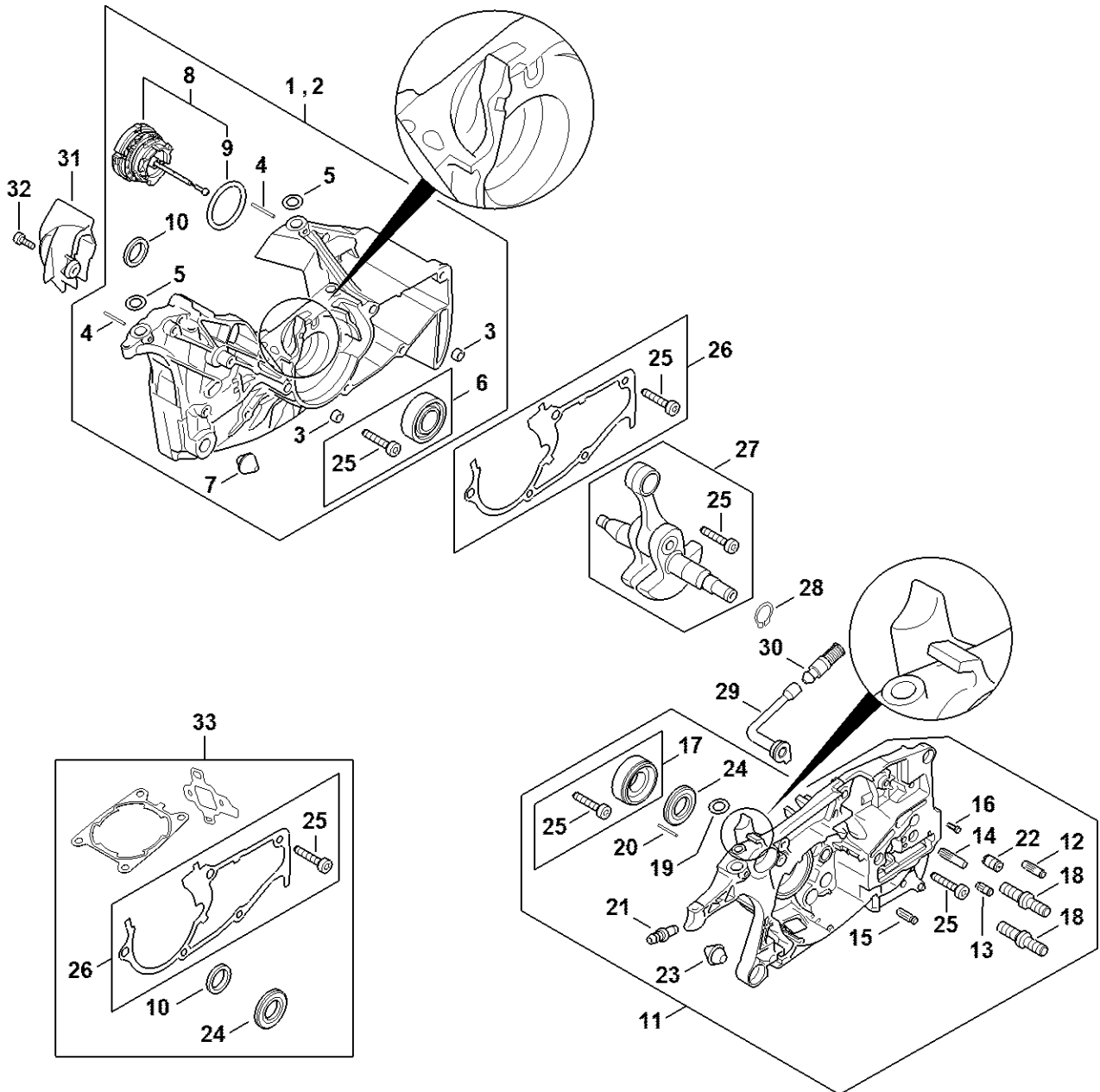
# Crankcase

#	Part Number	Description	Quantity	Contains Item(s)	Remarks
1	1142 020 2603	Crankcase, fan side	1	3 - 10, 25	
3	0000 988 8600	Sleeve	2		
4	9371 470 1058	Cylindrical pin 1,8x19	2		
5	0000 963 0902	Bushing	2		
6	1142 007 1001	Ball bearing kit	1	25	
7	1133 791 5900	Stop buffer	1		
8	0000 350 0533	Filler cap	1	9	
9	9645 948 7734	O-ring 25x3.5	1		
10	9640 003 1560	Oil seal 15x22x4	1		
11	1142 020 2908	Crankcase	1	12 - 25	
12	1121 162 5200	Pin	1		
13	1128 162 5200	Pin	1		
14	1143 162 5200	Pin	1		
15	1120 162 5200	Pin	1		
16	0000 974 1200	Notched pin 2.6x8	1		
17	1142 007 1002	Ball bearing kit	1	25	
18	0000 664 2406	Collar screw M8	2		
19	0000 963 0902	Bushing	1		
20	9371 470 1058	Cylindrical pin 1,8x19	1		
21	0000 988 5211	Connector	1		
22	1128 640 9100	Valve	1		
23	1133 791 5900	Stop buffer	1		
24	9640 003 1600	Oil seal 15x29.6x4	1		
25	9022 500 1051	Spline screw IS-M5x27	5		
26	1142 020 9700	Gasket	1	25	
27	1142 030 0402	Crankshaft	1	25	
28	9455 621 1520	Circlip 15x1	1		

# Crankcase

#	Part Number	Description	Quantity	Contains Item(s)	Remarks
29	1122 647 9400	Hose	1		
30	1117 640 3800	Pickup body	1		
31	1142 141 7500	Pre-separator	1		
32	9022 313 0660	Spline screw IS-M4x12	1		
33	1142 007 1601	Set of gaskets	1	10, 24 - 26	

# Crankcase



1142-GET-0057-A0

# Crankcase

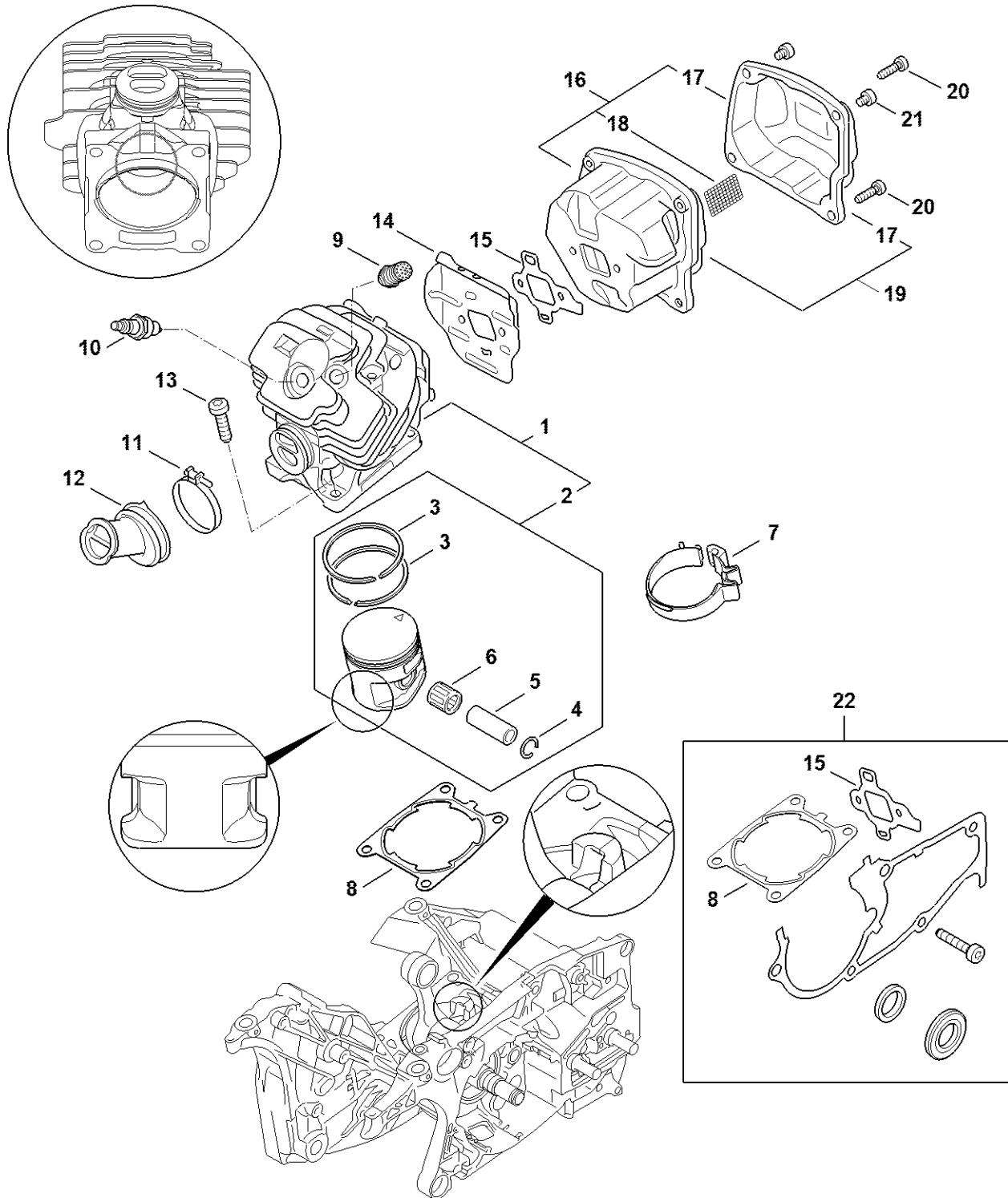
#	Part Number	Description	Quantity	Contains Item(s)	Remarks
1	1142 020 2601	Crankcase, fan side	1	3 - 10, 25	
3	0000 988 8600	Sleeve	2		
4	9371 470 1058	Cylindrical pin 1,8x19	2		
5	0000 963 0902	Bushing	2		
6	1142 007 1001	Ball bearing kit	1	25	
7	1133 791 5900	Stop buffer	1		
8	0000 350 0533	Filler cap	1	9	
9	9645 948 7734	O-ring 25x3.5	1		
10	9640 003 1560	Oil seal 15x22x4	1		
11	1142 020 2903	Crankcase	1	12 - 25	
12	1121 162 5200	Pin	1		
13	1128 162 5200	Pin	1		
14	1143 162 5200	Pin	1		
15	1120 162 5200	Pin	1		
16	0000 974 1200	Notched pin 2.6x8	1		
17	1142 007 1002	Ball bearing kit	1	25	
18	0000 664 2406	Collar screw M8	2		
19	0000 963 0902	Bushing	1		
20	9371 470 1058	Cylindrical pin 1,8x19	1		
21	0000 988 5211	Connector	1		
22	1128 640 9100	Valve	1		
23	1133 791 5900	Stop buffer	1		
24	9640 003 1600	Oil seal 15x29.6x4	1		
25	9022 500 1051	Spline screw IS-M5x27	5		
26	1142 020 9700	Gasket	1	25	
27	1142 030 0402	Crankshaft	1	25	
28	9455 621 1520	Circlip 15x1	1		

# Crankcase

#	Part Number	Description	Quantity	Contains Item(s)	Remarks
29	1122 647 9400	Hose	1		
30	1117 640 3800	Pickup body	1		
31	1142 141 7500	Pre-separator	1		
32	9022 313 0660	Spline screw IS-M4x12	1		
33	1142 007 1601	Set of gaskets	1	10, 24 - 26	



# Cylinder, Muffler

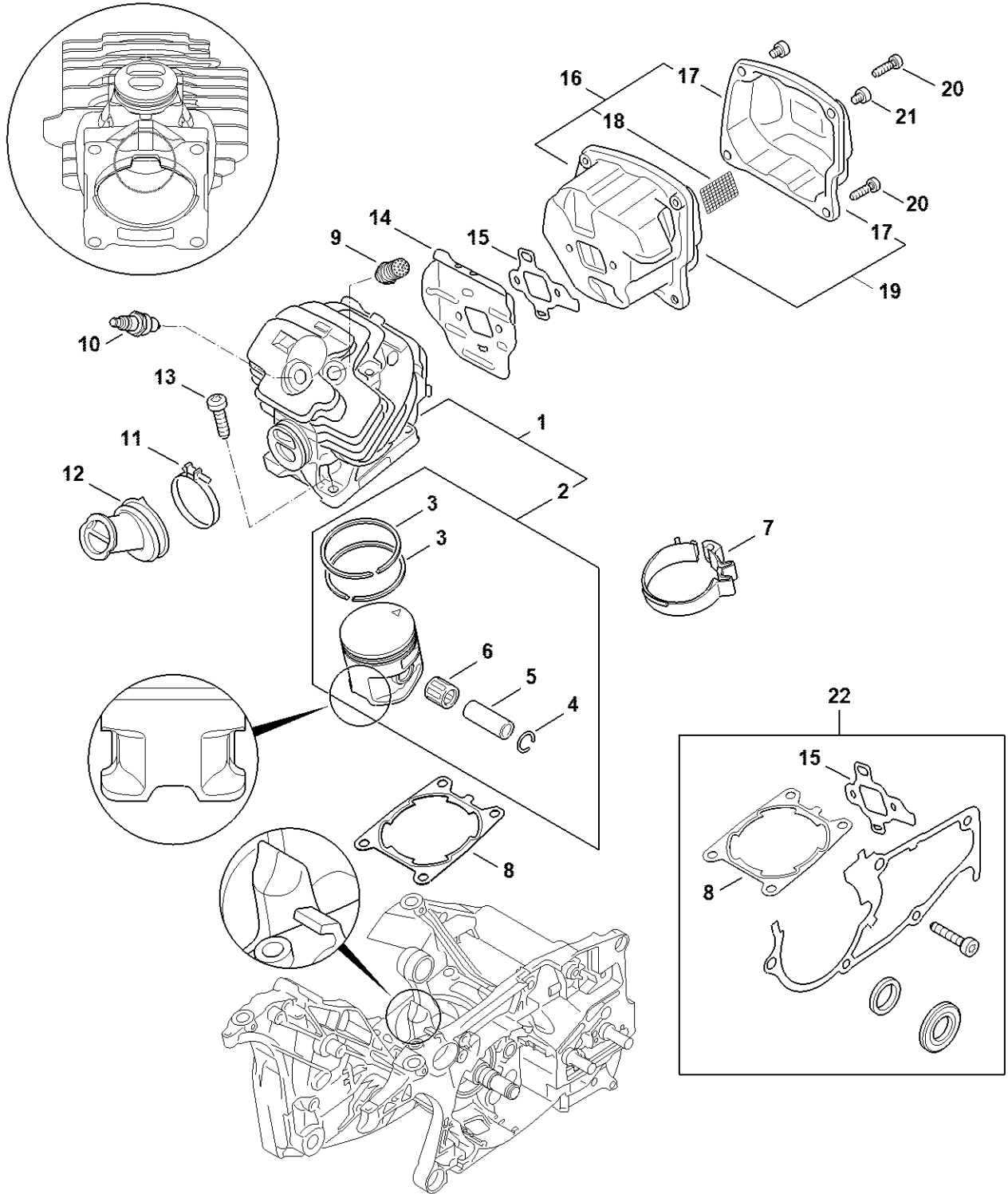


1142-GET-0070-A1

# Cylinder, Muffler

#	Part Number	Description	Quantity	Contains Item(s)	Remarks
1	1142 020 1202	Cylinder with piston Ø 52 mm	1	2 - 6	
2	1142 030 2009	Piston Ø 52 mm	1	3 - 6	
3	1142 034 3004	Piston ring Ø 52x1,2 mm	1		
4	9463 650 1200	Snap ring 12x1	2		
5	1142 034 1500	Piston pin	1		
6	9512 003 3146	Needle cage 12x16.2x15	1		
7	1142 893 2602	Clamping strap	1		
8	1142 029 2300	Cylinder gasket	1		
9	1142 020 9400	Decompression valve	1		
10	0000 400 7011	Spark plug NGK CMR6H	1		
11	9771 021 2674	Hose clip 39.5x5	1		
12	1142 141 2200	Manifold	1		
13	9022 341 1370	Spline screw IS-M6x30	4		
14	1142 141 3200	Cooling plate	1		
15	1142 149 0600	Muffler gasket	1		
17	1142 140 0800	Exhaust casing	1		
19	1142 140 0600	Muffler	1	17	
20	9022 371 1053	Spline screw IS-M5x25-12.9	4		
21	9022 341 0911	Spline screw IS-M5x6	2		
22	1142 007 1601	Set of gaskets	1	8, 15	

# Cylinder, Muffler

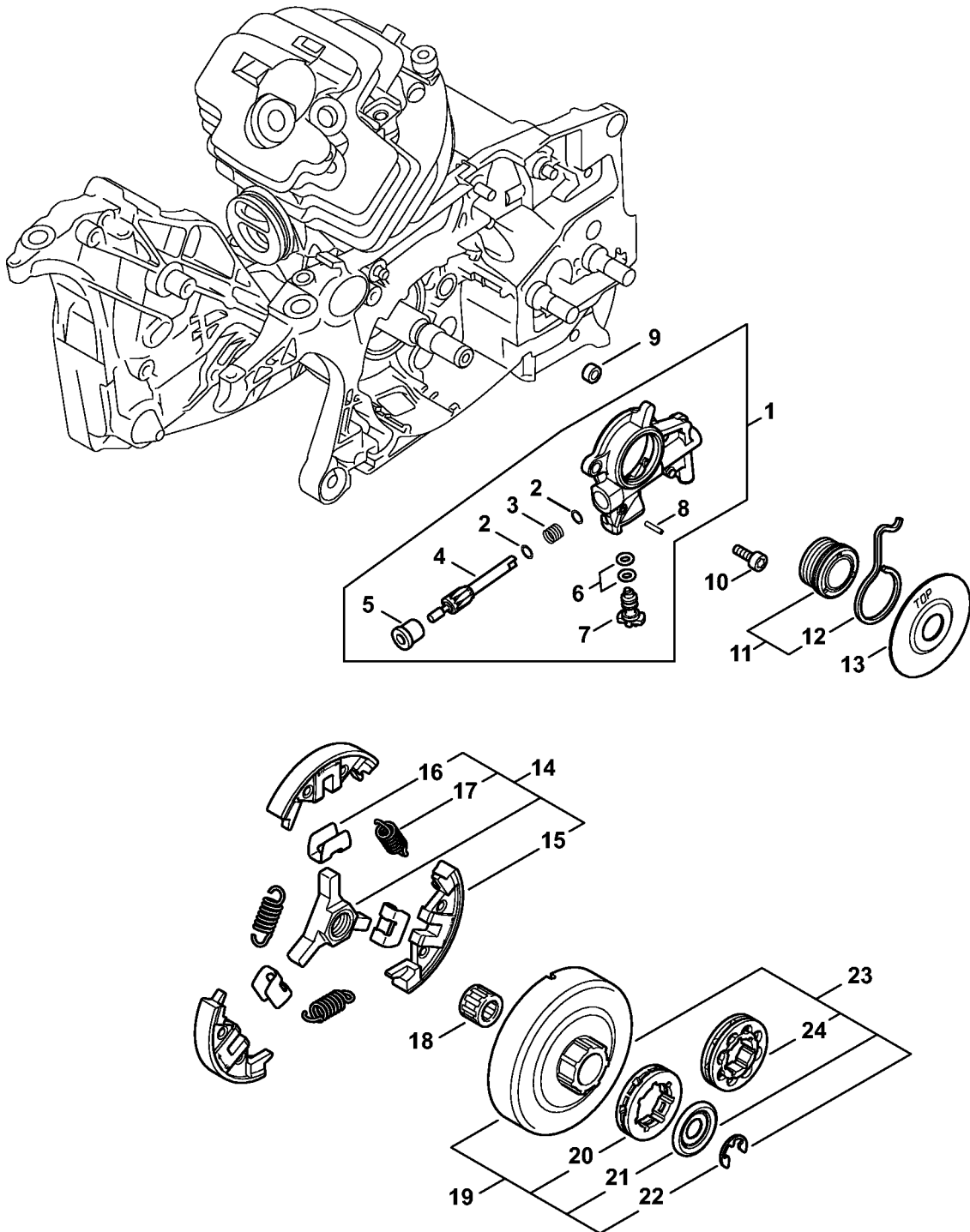


1142-GET-0059-A1

# Cylinder, Muffler

#	Part Number	Description	Quantity	Contains Item(s)	Remarks
1	1142 020 1201	Cylinder with piston Ø 52 mm	1	2 - 6	
2	1142 030 2006	Piston Ø 52 mm	1	3 - 6	
3	1142 034 3004	Piston ring Ø 52x1,2 mm	1		
4	9463 650 1200	Snap ring 12x1	2		
5	1142 034 1500	Piston pin	1		
6	9512 003 3146	Needle cage 12x16.2x15	1		
7	1142 893 2602	Clamping strap	1		
8	1142 029 2300	Cylinder gasket	1		
9	1142 020 9400	Decompression valve	1		
10	0000 400 7011	Spark plug NGK CMR6H	1		
11	9771 021 2674	Hose clip 39.5x5	1		
12	1142 141 2200	Manifold	1		
13	9022 341 1370	Spline screw IS-M6x30	4		
14	1142 141 3200	Cooling plate	1		
15	1142 149 0600	Muffler gasket	1		
17	1142 140 0800	Exhaust casing	1		
19	1142 140 0600	Muffler	1	17	
20	9022 371 1053	Spline screw IS-M5x25-12.9	4		
21	9022 341 0911	Spline screw IS-M5x6	2		
22	1142 007 1601	Set of gaskets	1	8, 15	

# Oil pump, Clutch

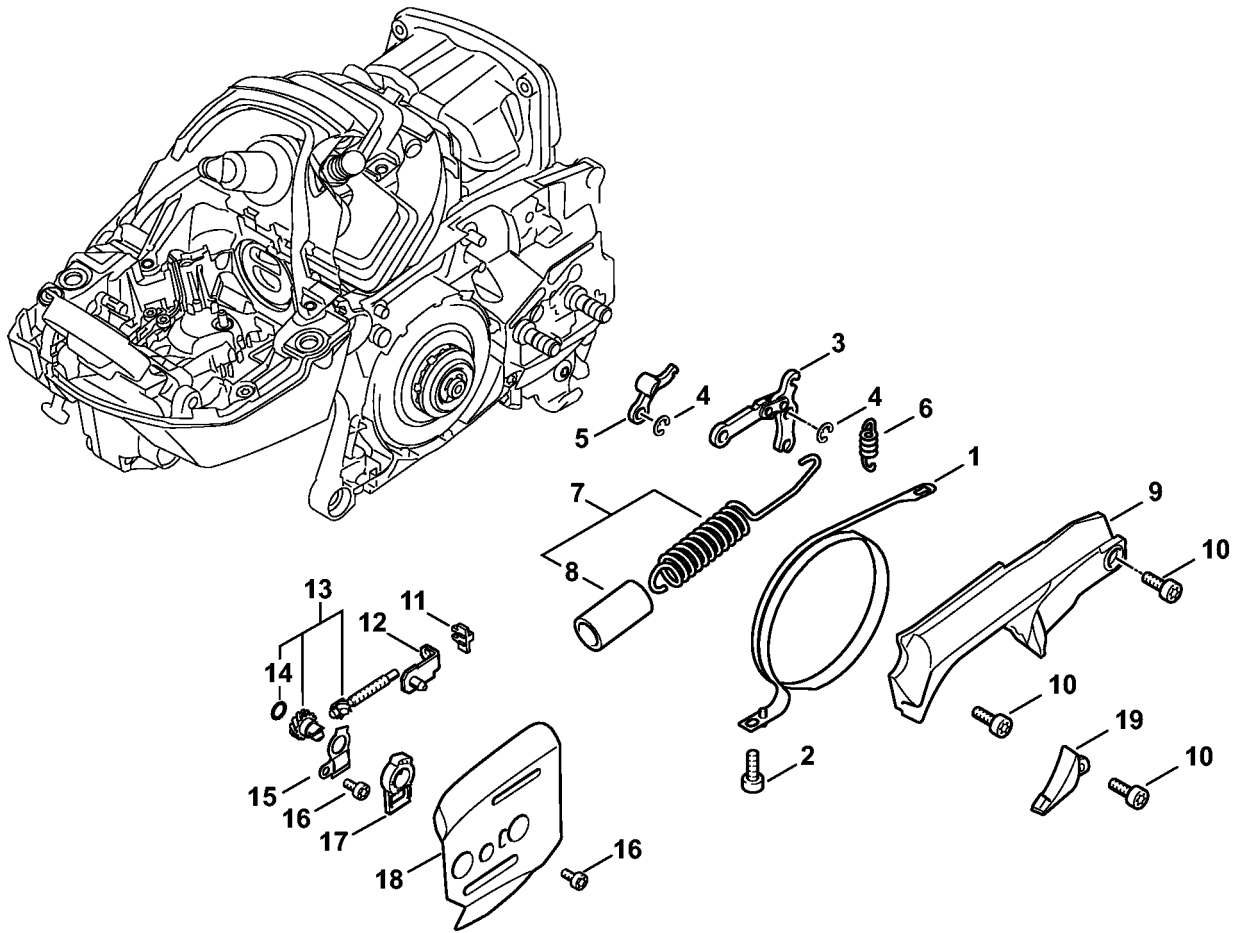


1142-GET-0043-A0

# Oil pump, Clutch

#	Part Number	Description	Quantity	Contains Item(s)	Remarks
1	1142 640 3200	Oil pump	1	2 - 8	
2	0000 958 0518	Washer	2		
3	0000 997 0615	Compression spring	1		
4	1142 647 0600	Pump piston	1		
5	1125 641 9400	Bearing bushing	1		
6	9646 945 0160	O-ring 4x2	2		
7	1142 647 4800	Control bolt	1		
8	9380 620 1090	Roll pin 2x10	1		
9	1122 649 5000	Sealing ring B4x2	1		
10	9022 346 0658	Spline screw IS-M4x12	2		
11	1128 640 7112	Worm	1	12	
12	1128 647 2400	Spring	1		
13	1122 162 1000	Cover washer 52 mm	1		
14	1142 160 2000	Clutch	1	15 - 17	
15	1142 162 0800	Clutch shoe	3		
16	1128 162 3000	Retainer	3		
17	0000 997 5609	Tension spring	3		
18	9512 933 2379	Needle cage 10x16x12	1		
19	1128 007 1000	Rim sprocket kit 3/8" 7T	1	20 - 22	
20	0000 642 1223	Rim sprocket 3/8" 7T	1		
21	0000 958 1032	Washer Ø 27 mm	1		
22	9460 624 0801	E-clip 8x1.3	1		
23	1128 007 1001	Rim sprocket kit 3/8" 8T	1	21, 22, 24	
24	0000 642 1216	Rim sprocket 3/8" 8T	1		

# Chain brake, Chain tensioner



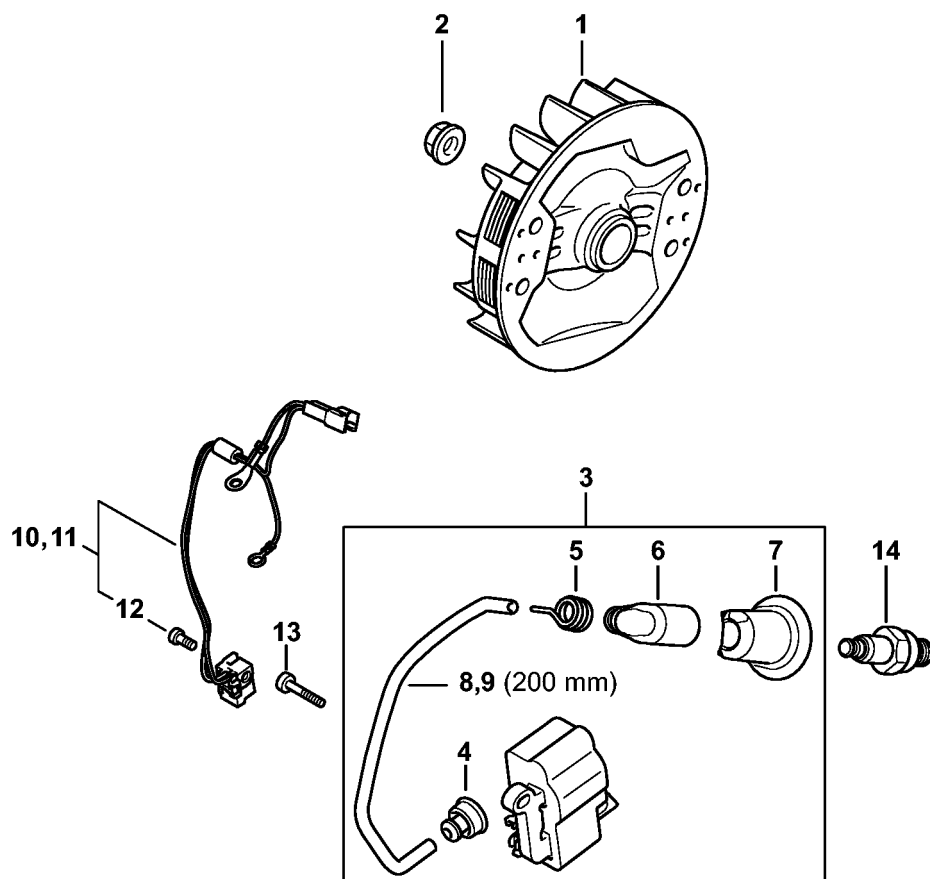
1142-GET-0003-A0

# Chain brake, Chain tensioner

#	Part Number	Description	Quantity	Contains Item(s)	Remarks
1	1142 160 5400	Brake band	1		
2	9022 346 0658	Spline screw IS-M4x12	1		
3	1128 160 5000	Lever	1		
4	9460 624 0400	E-clip 4	2		
5	1121 162 5010	Lever	1		
6	0000 997 0628	Spring	1		
7	1142 160 5500	Tension spring	1	8	
8	1142 162 8000	Hose	1		
9	1142 021 1103	Cover	1		
10	9022 313 0660	Spline screw IS-M4x12	3		
11	1125 664 1400	Thrust pad	1		
12	1125 640 1900	Tensioner slide	1		
13	1125 007 1021	Spur gear / chain adjusting screw kit	1	14	
14	9646 945 0490	O-ring 7x1.5	1		
15	1122 664 2200	Cover plate	1		
16	9022 313 0633	Spline screw IS-M4x8	2		
17	1122 664 4500	Support	1		
18	1128 664 1000	Inner side plate	1		
19	1142 021 1101	Cover	1		



# Ignition system M-Tronic

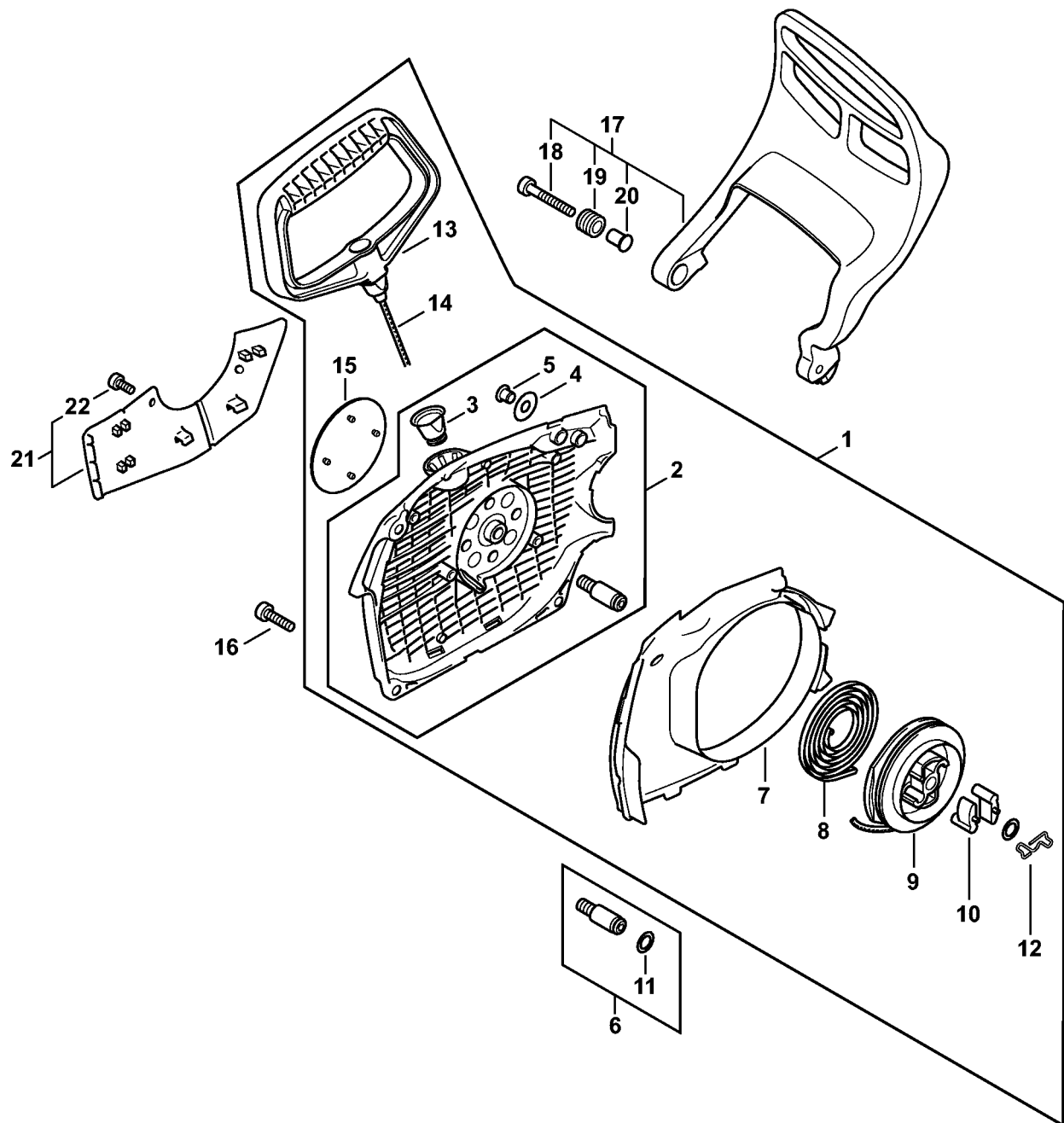


1142-GET-0050-A0

# Ignition system M-Tronic

#	Part Number	Description	Quantity	Contains Item(s)	Remarks
1	1142 400 1200	Flywheel	1		
2	0000 955 0802	Collar nut M8x1	1		
3	1142 400 4705	Control unit Above Serial Number: 185109808	1	4 - 8	
4	0000 989 1002	Grommet	1		
5	0000 998 0604	Spark plug contact spring	1		
6	0000 405 1007	Spark plug boot	1		
7	1142 084 1600	Cover	1		
8	0000 405 0600	Ignition lead 1 m	1		
9	0000 930 2251	Ignition lead 10 m	1		
10	1142 440 3003	Wiring harness Above Serial Number: 185109808	1	12	
11	1142 440 3000	Wiring harness	1	12	
12	9022 319 0340	Screw IS-M3x8	1		
13	9022 341 0710	Spline screw IS-M4x20	2		
14	0000 400 7011	Spark plug NGK CMR6H	1		

# Rewind starter Rescue saw

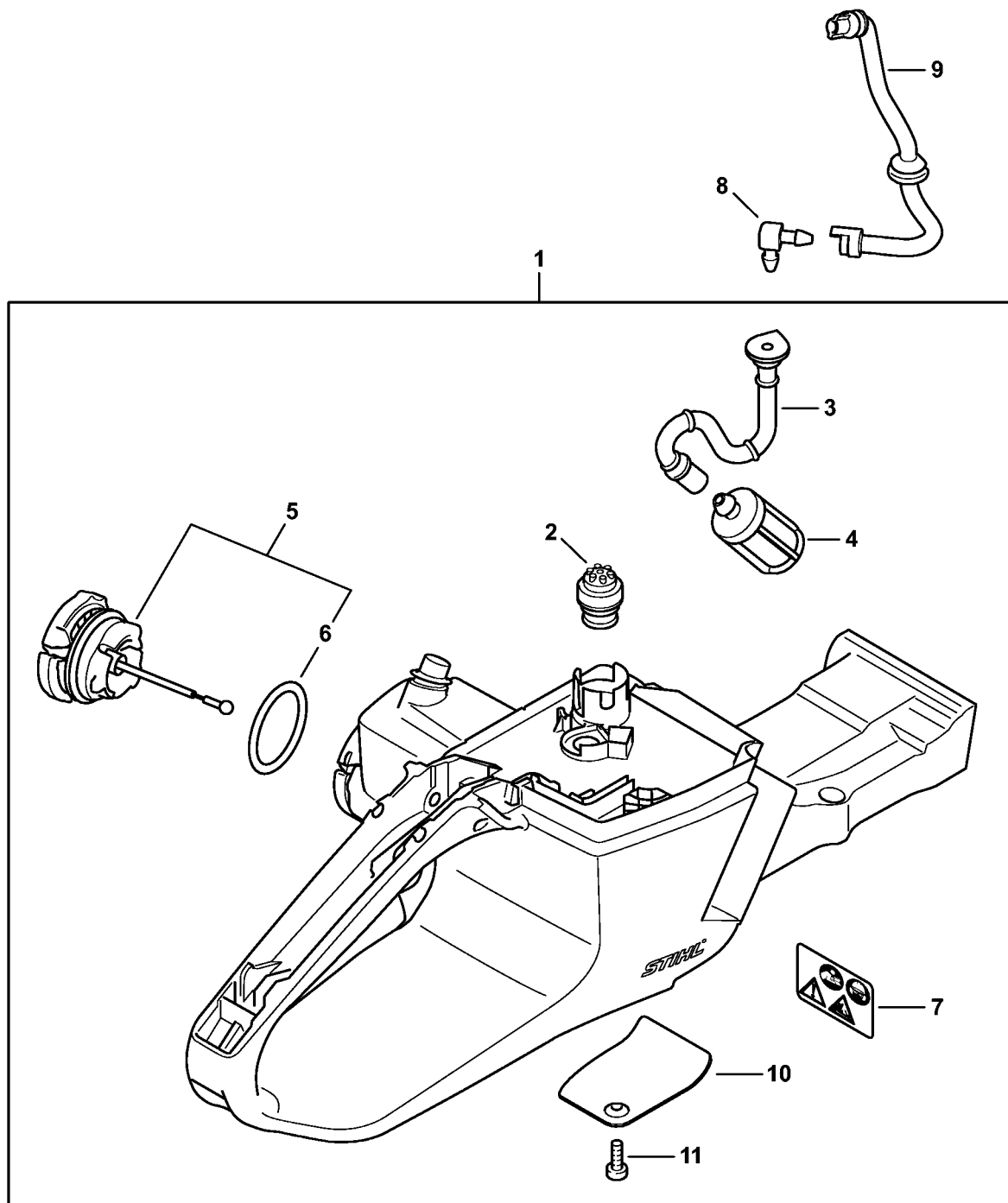


1142-GET-0046-A1

# Rewind starter Rescue saw

#	Part Number	Description	Quantity	Contains Item(s)	Remarks
1	1142 080 2103	Fan housing with rewind starter	1	2 - 15	
2	1142 080 1800	Fan housing	1	3 - 6, 11	
3	1110 084 9102	Bushing	1		
4	0000 958 0607	Washer	1		
5	9416 868 6530	Hollow rivet 6.5x0.5x6.8	1		
6	1128 080 6500	Axle	1	11	
7	1142 084 7800	Segment	1		
8	1135 190 0600	Rewind spring	1		
9	1128 195 0400	Rope rotor	1		
10	1125 195 7200	Pawl	2		
11	0000 958 0923	Washer	1		
12	1128 195 3500	Spring	1		
13	1128 195 3401	Starter grip	1		
14	1113 195 8200	Starter rope Ø 3.5x960 mm	1		
15	1142 967 1501	Model plate MS 462 C	1		
16	9022 371 1020	Spline screw IS-M5x20	3		
17	1142 790 9101	Hand guard	1	18 - 20	
18	9022 341 1080	Spline screw IS-M5x35	1		
19	1124 792 5505	Bushing	1		
20	1124 792 5500	Bushing	1		
21	1142 080 7500	Cover plate	1	22	
22	9075 478 3015	Pan head self-tapping screw IS-D4x15	2		

# Tank housing

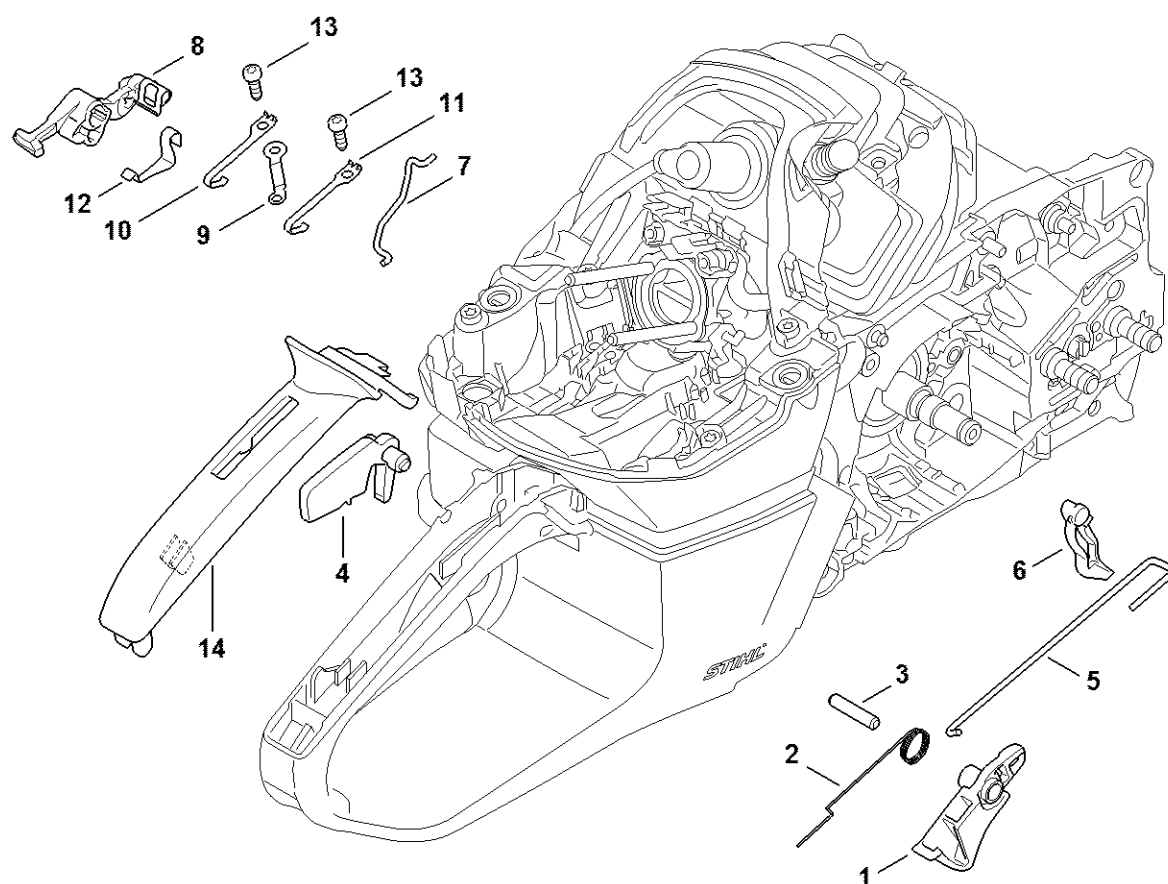


1142-GET-0028-A1

# Tank housing

#	Part Number	Description	Quantity	Contains Item(s)	Remarks
1	1142 350 0804	Tank housing	1	2 - 7, 10, 11	
2	0000 350 5800	Tank vent	1		
3	1138 358 7705	Hose	1		
4	0000 350 3518	Pickup body	1		
5	0000 350 0533	Filler cap	1	6	
6	9645 948 7734	O-ring 25x3.5	1		
7	0000 967 7247	Warning pictogram MS	1		
8	4224 122 3900	Elbow connector	1		
9	1142 358 7700	Hose	1		
10	1140 656 1500	Guard	1		
11	9074 477 2995	Pan head self-tapping screw IS-P4x12	1		

# Throttle control M-Tronic



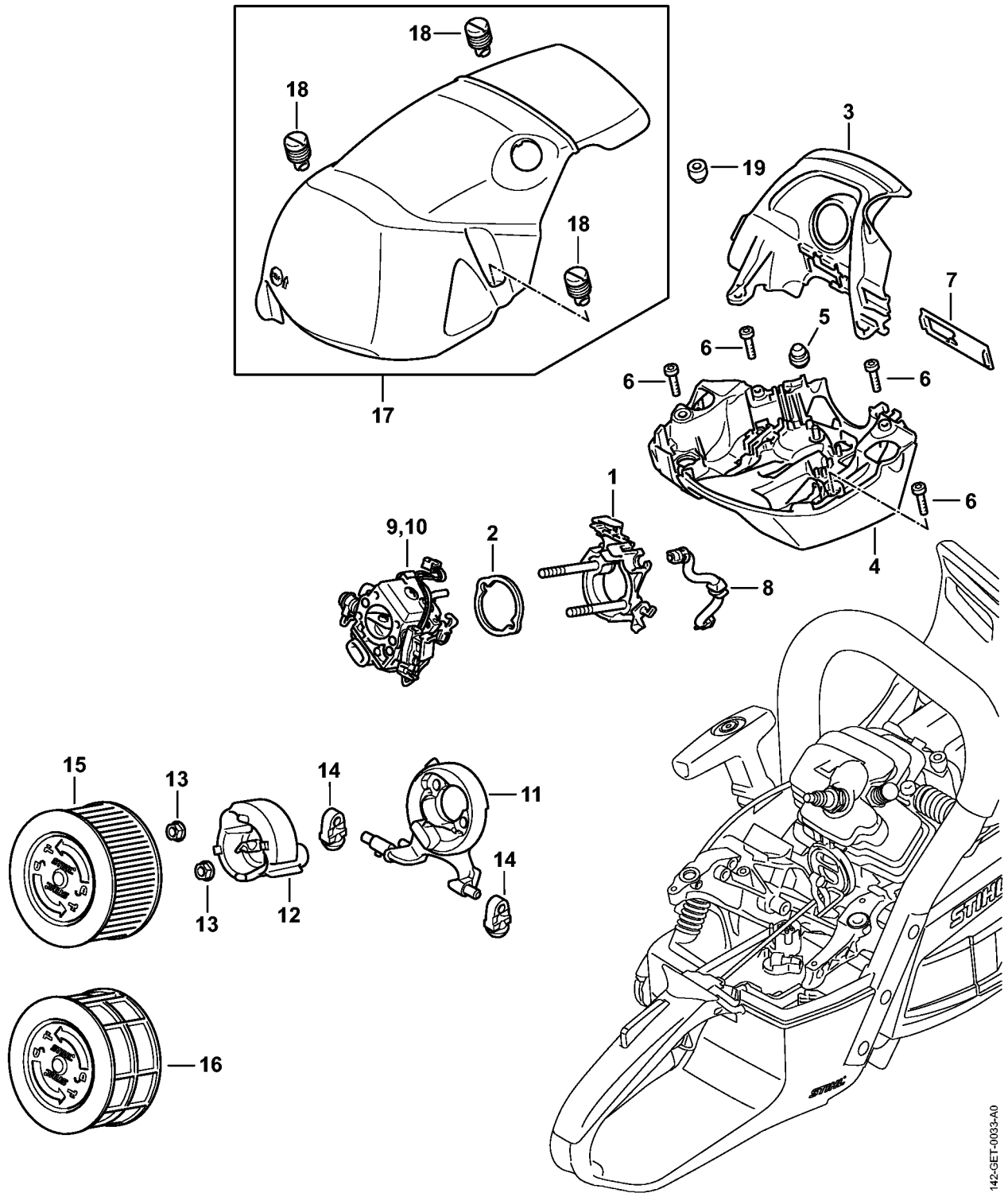
1143-GET-0072-A0

# Throttle control M-Tronic

#	Part Number	Description	Quantity	Contains Item(s)	Remarks
1	1142 182 1000	Throttle trigger	1		
2	1138 182 4500	Torsion spring	1		
3	9371 470 2630	Cylindrical pin (DIN7)-5m6x22	1		
4	1142 182 0800	Lockout lever	1		
5	1142 182 1500	Throttle rod	1		
6	1142 182 2800	Lever	1		
7	1142 185 1901	Choke rod	1		
8	1142 180 0901	Switch shaft	1		
9	1142 442 1602	Contact spring	1		
10	1142 442 1606	Contact spring	1		
11	1142 442 1601	Contact spring	1		
12	1142 442 1603	Contact spring	1		
13	9074 477 2995	Pan head self-tapping screw IS-P4x12	2		
14	1142 791 0601	Handle molding	1		



# Carburetor bracket, Air filter, Shroud M-Tronic

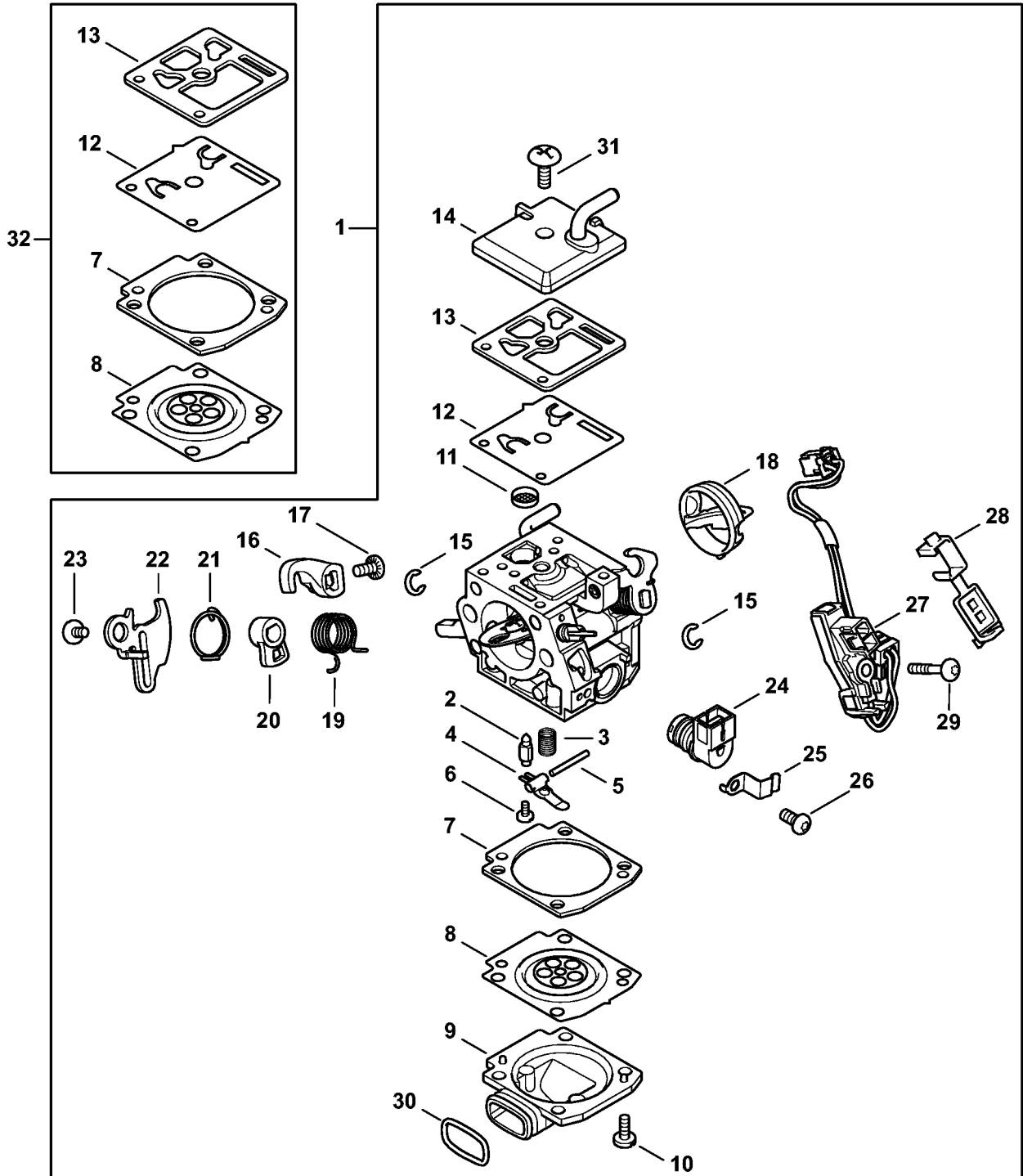


1142-GET-0033-A0

# Carburetor bracket, Air filter, Shroud M-Tronic

#	Part Number	Description	Quantity	Contains Item(s)	Remarks
1	1142 120 0900	Carburetor bracket	1		
2	1128 121 8600	Washer	1		
3	1142 080 0901	Air guide shroud	1		
4	1142 080 0900	Air guide shroud	1		
5	1139 791 5900	Stop buffer	1		
6	9022 313 0680	Pan head screw IS M4x16	4		
7	1143 084 4100	Shutter	1		
8	1142 141 8600	Hose	1		
9	1142 120 0603	Carburetor 1142/03	1		
10	1142 120 0607	Carburetor 1142/07	1		
11	1142 141 0900	Air filter base	1		
12	1142 121 6900	Intake baffle	1		
13	9216 261 0700	Hexagon nut M5	2		
14	1140 122 9901	Buffer	2		
15	1142 140 4402	Air filter HD2	1		
16	1142 140 4401	Air filter PA	1		
17	1142 080 1601	Shroud	1	18	
18	1140 140 9200	Twist lock	3		
19	1121 084 7100	Cap	1		

# Carburetor 1142/03



1142-GET-0035-A0

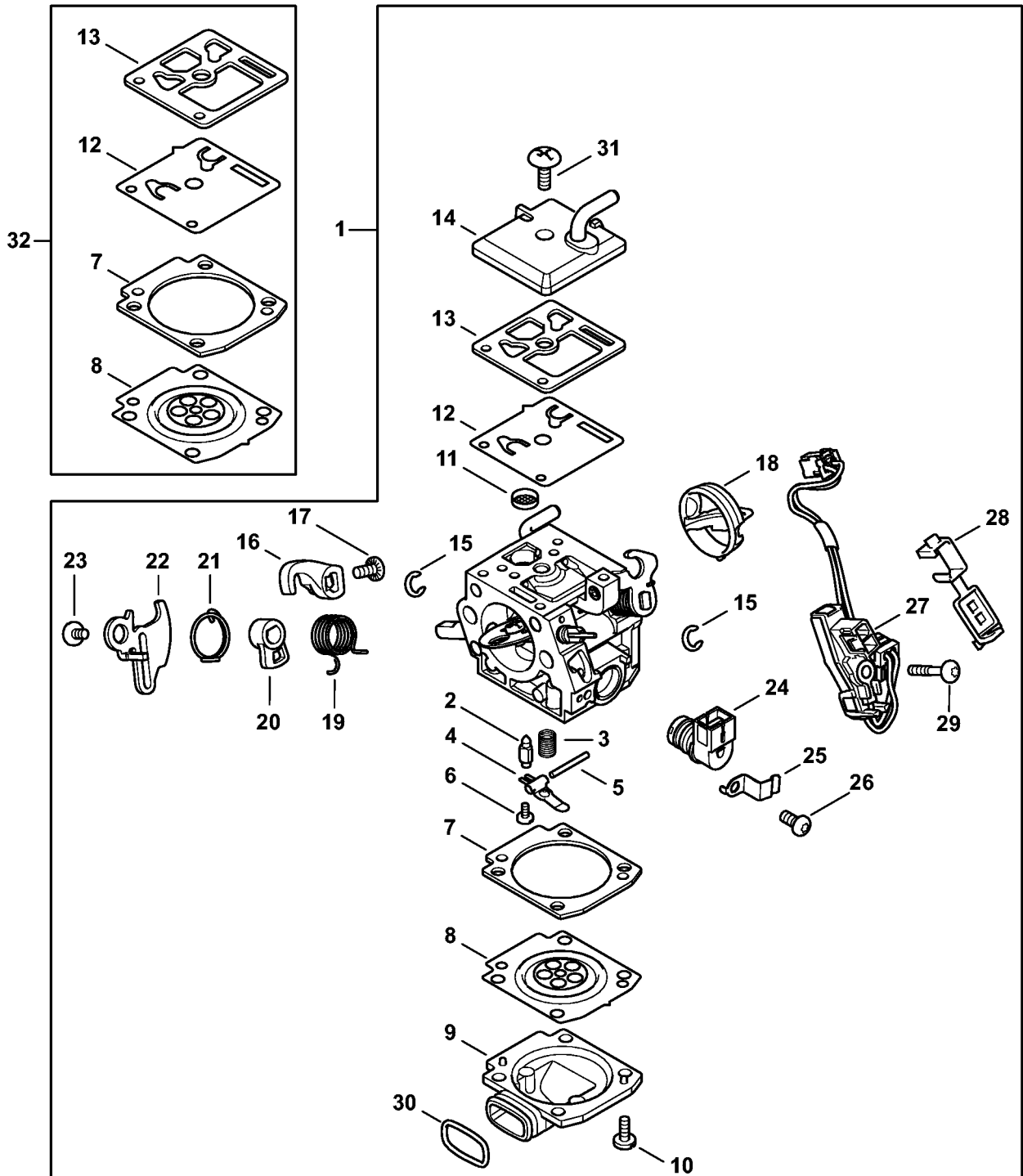
# Carburetor 1142/03

#	Part Number	Description	Quantity	Contains Item(s)	Remarks
1	1142 120 0603	Carburetor 1142/03	1	2 - 31	
2	Z000 018 Z000	Inlet needle	1		
3	Z000 019 Z006	Metering spring	1		
4	1119 121 5002	Inlet control lever	1		
5	1120 121 9200	Spindle	1		
6	0000 122 7101	Screw	1		
7	1135 129 0900	Metering gasket	1		
8	1142 121 4700	Metering diaphragm	1		
9	1142 121 0800	End cover	1		
10	1120 122 6601	Collar screw	4		
11	1123 121 7800	Strainer	1		
12	1142 121 4800	Pump diaphragm	1		
13	1142 129 0900	Pump gasket	1		
14	1142 120 0800	End cover	1		
15	4282 122 9000	E-clip	1		
16	1142 121 3501	Throttle lever	1		
17	4132 122 6600	Collar screw	1		
18	1142 121 9400	Ring	1		
19	1142 122 3201	Torsion spring	1		
20	1142 121 6602	Lever	1		
21	1142 122 3200	Torsion spring	1		
22	1142 121 6601	Lever	1		
23	1139 122 7101	Screw	1		
24	0000 120 5104	Solenoid valve	1		
25	0000 121 2301	Support	1		
26	0000 122 7103	Screw	1		
27	1142 430 1021	Trigger unit	1	28	

# Carburetor 1142/03

#	Part Number	Description	Quantity	Contains Item(s)	Remarks
28	0000 431 1803	Plug	1		
29	9076 478 0210	Pan head self-tapping screw IS-A2.5x16	1		
30	9645 945 1171	O-ring N12x1,5-NBR70	1		
31	1120 122 7800	Oval head screw	1		
32	1142 007 1700	Set of carburetor parts	1	7, 8, 12, 13	

# Carburetor 1142/07



1142-GET-0035-A0

# Carburetor 1142/07

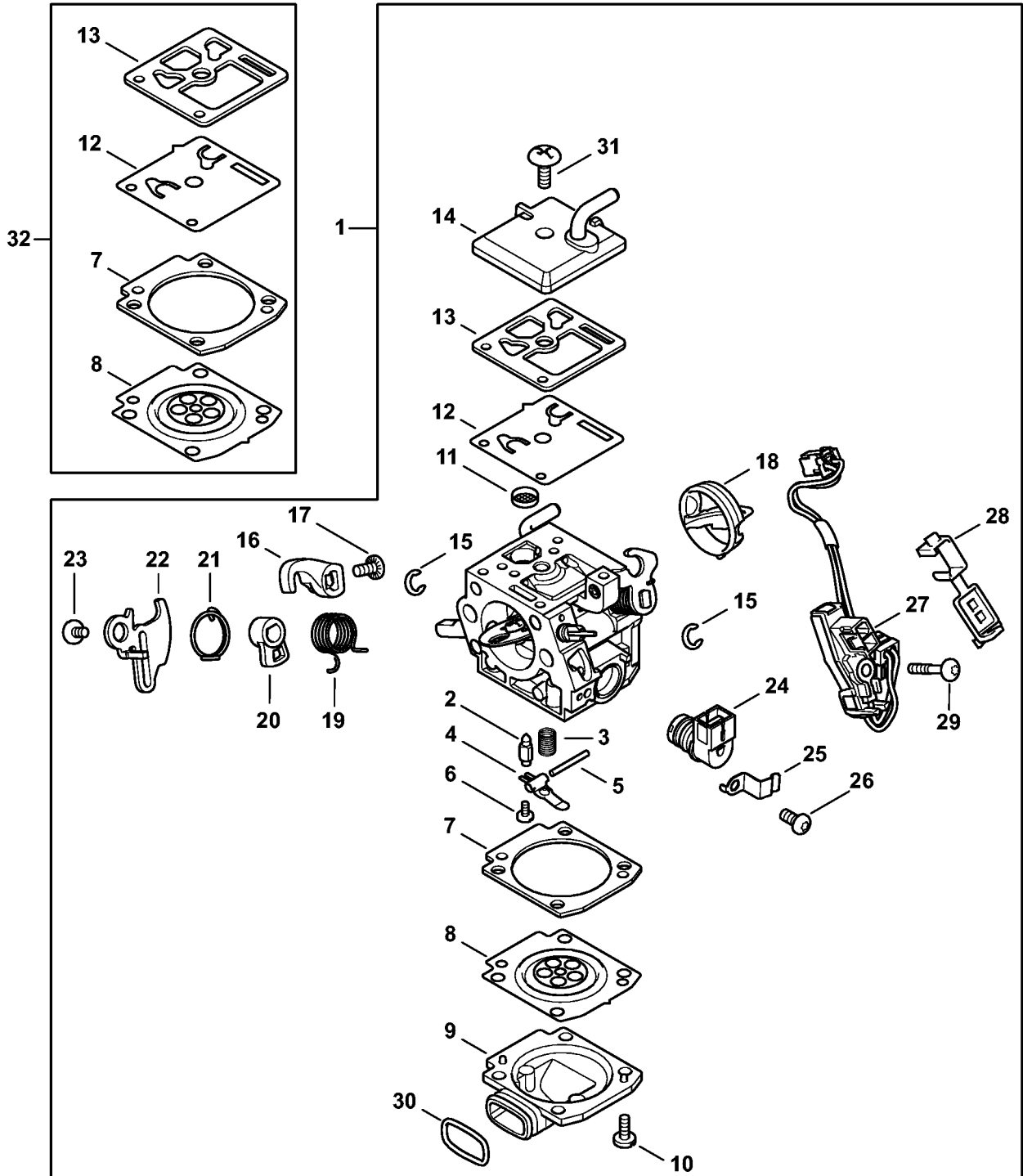
#	Part Number	Description	Quantity	Contains Item(s)	Remarks
1	1142 120 0607	Carburetor 1142/07	1	2 - 31	
2	Z000 018 Z000	Inlet needle	1		
3	1128 122 3000	Spring	1		
4	1119 121 5002	Inlet control lever	1		
5	1120 121 9200	Spindle	1		
6	0000 122 7101	Screw	1		
7	1135 129 0900	Metering gasket	1		
8	1142 121 4700	Metering diaphragm	1		
9	1142 121 0800	End cover	1		
10	1120 122 6601	Collar screw	4		
11	1123 121 7800	Strainer	1		
12	1142 121 4800	Pump diaphragm	1		
13	1142 129 0900	Pump gasket	1		
14	1142 120 0800	End cover	1		
15	4282 122 9000	E-clip	1		
16	1142 121 3501	Throttle lever	1		
17	4132 122 6600	Collar screw	1		
18	1142 121 9400	Ring	1		
19	1142 122 3201	Torsion spring	1		
20	1142 121 6602	Lever	1		
21	1142 122 3200	Torsion spring	1		
22	1142 121 6601	Lever	1		
23	1139 122 7101	Screw	1		
24	0000 120 5111	Solenoid valve	1		
25	0000 121 2301	Support	1		
26	0000 122 7103	Screw	1		
27	1142 430 1021	Trigger unit	1	28	

# Carburetor 1142/07

#	Part Number	Description	Quantity	Contains Item(s)	Remarks
28	0000 431 1803	Plug	1		
29	9076 478 0210	Pan head self-tapping screw IS-A2.5x16	1		
30	9645 945 1171	O-ring N12x1,5-NBR70	1		
31	1120 122 7800	Oval head screw	1		
32	1142 007 1700	Set of carburetor parts	1	7, 8, 12, 13	



# Carburetor 1142/01



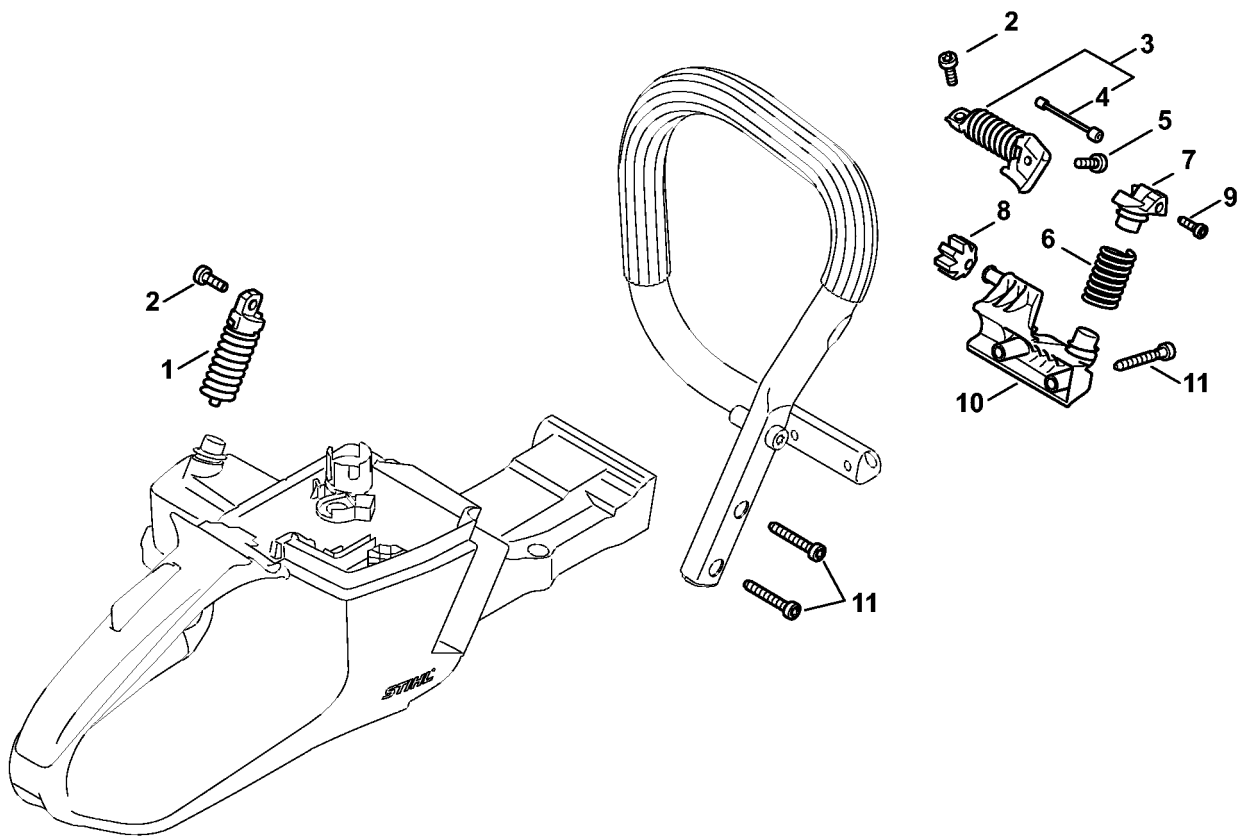
1142-GET-0035-A0

# Carburetor 1142/01

#	Part Number	Description	Quantity	Contains Item(s)	Remarks
1	1142 120 0601	Carburetor 1142/01	1	2 - 31	
2	Z000 018 Z000	Inlet needle	1		
3	1128 122 3000	Spring	1		
4	1119 121 5002	Inlet control lever	1		
5	1120 121 9200	Spindle	1		
6	0000 122 7101	Screw	1		
7	1135 129 0900	Metering gasket	1		
8	1142 121 4700	Metering diaphragm	1		
9	1142 121 0800	End cover	1		
10	1120 122 6601	Collar screw	4		
11	1123 121 7800	Strainer	1		
12	1142 121 4800	Pump diaphragm	1		
13	1142 129 0900	Pump gasket	1		
14	1142 120 0800	End cover	1		
15	4282 122 9000	E-clip	1		
16	1142 121 3501	Throttle lever	1		
17	4132 122 6600	Collar screw	1		
18	1142 121 9400	Ring	1		
19	1142 122 3201	Torsion spring	1		
20	1142 121 6602	Lever	1		
21	1142 122 3200	Torsion spring	1		
22	1142 121 6601	Lever	1		
23	1139 122 7101	Screw	1		
24	0000 120 5111	Solenoid valve	1		
25	0000 121 2301	Support	1		
26	0000 122 7103	Screw	1		
27	1142 430 1021	Trigger unit	1	28	

# Carburetor 1142/01

#	Part Number	Description	Quantity	Contains Item(s)	Remarks
28	0000 431 1803	Plug	1		
29	9076 478 0210	Pan head self-tapping screw IS-A2.5x16	1		
30	9645 945 1171	O-ring N12x1,5-NBR70	1		
31	1120 122 7800	Oval head screw	1		
32	1142 007 1700	Set of carburetor parts	1	7, 8, 12, 13	

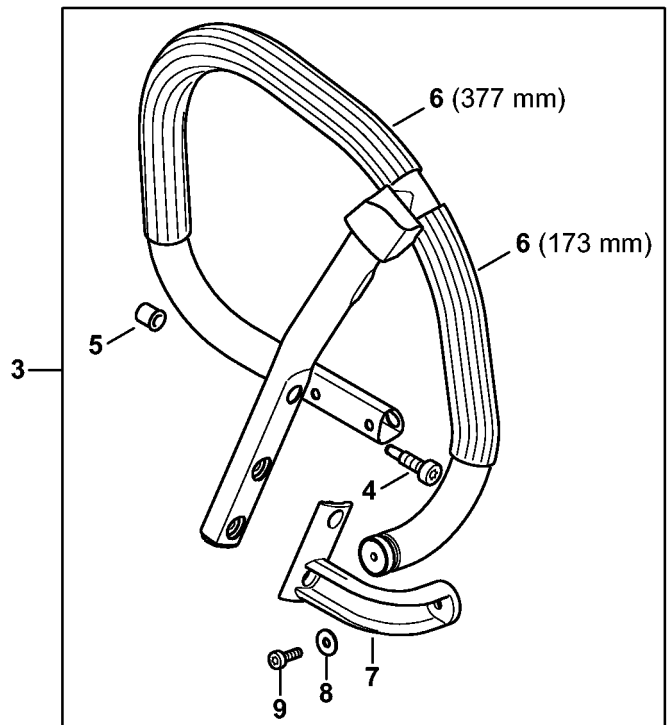
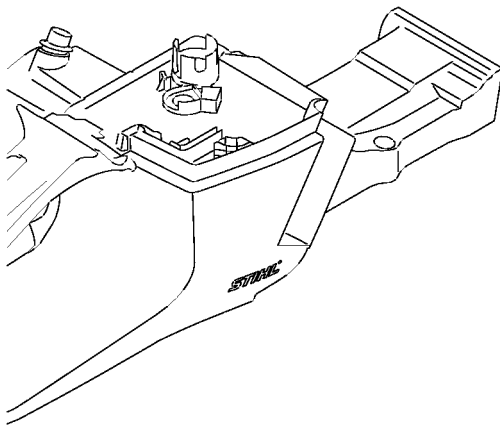
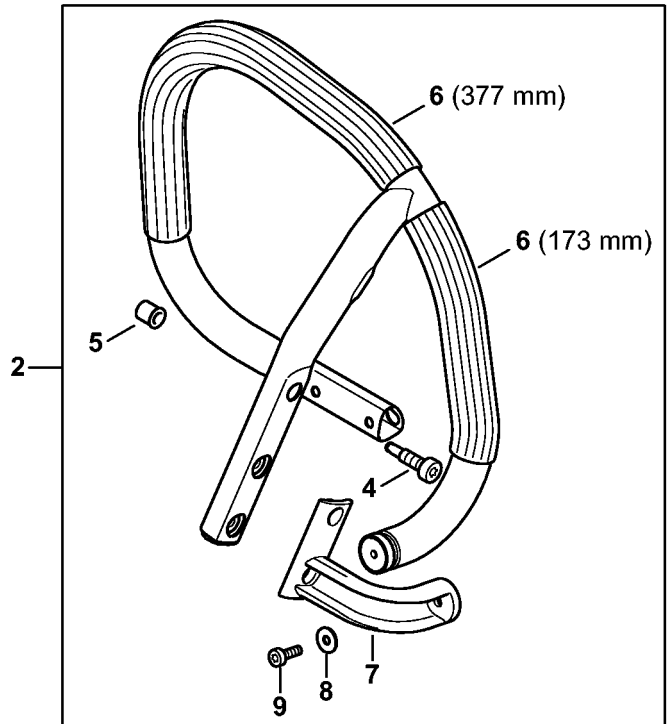
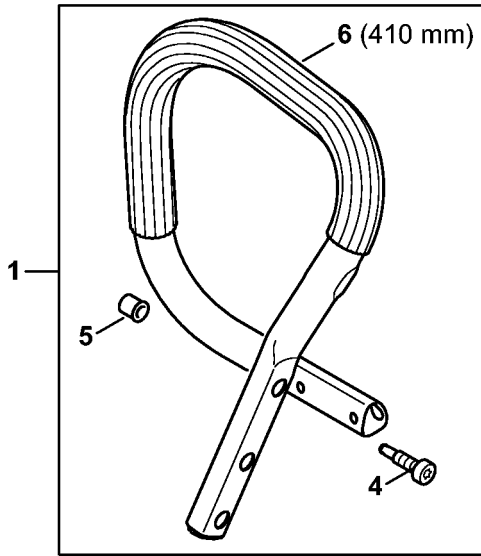


1142-GET-0055-A0

# AV system

#	Part Number	Description	Quantity	Contains Item(s)	Remarks
1	1142 790 8300	AV spring	1		
2	9022 341 0983	Spline screw IS-M5x16	2		
3	1142 790 8301	AV spring	1	4	
4	1142 790 8101	Retainer	1		
5	9022 371 1020	Spline screw IS-M5x20	1		
6	1144 791 3103	Spring	1		
7	1142 792 2902	AV mount	1		
8	1141 791 2802	Stop buffer	1		
9	9074 477 4135	Pan head self-tapping screw IS-P5x20	1		
10	1142 791 1900	Handlebar support	1		
11	9074 478 4705	Pan head self-tapping screw IS-P6x40	4		

# Handlebar

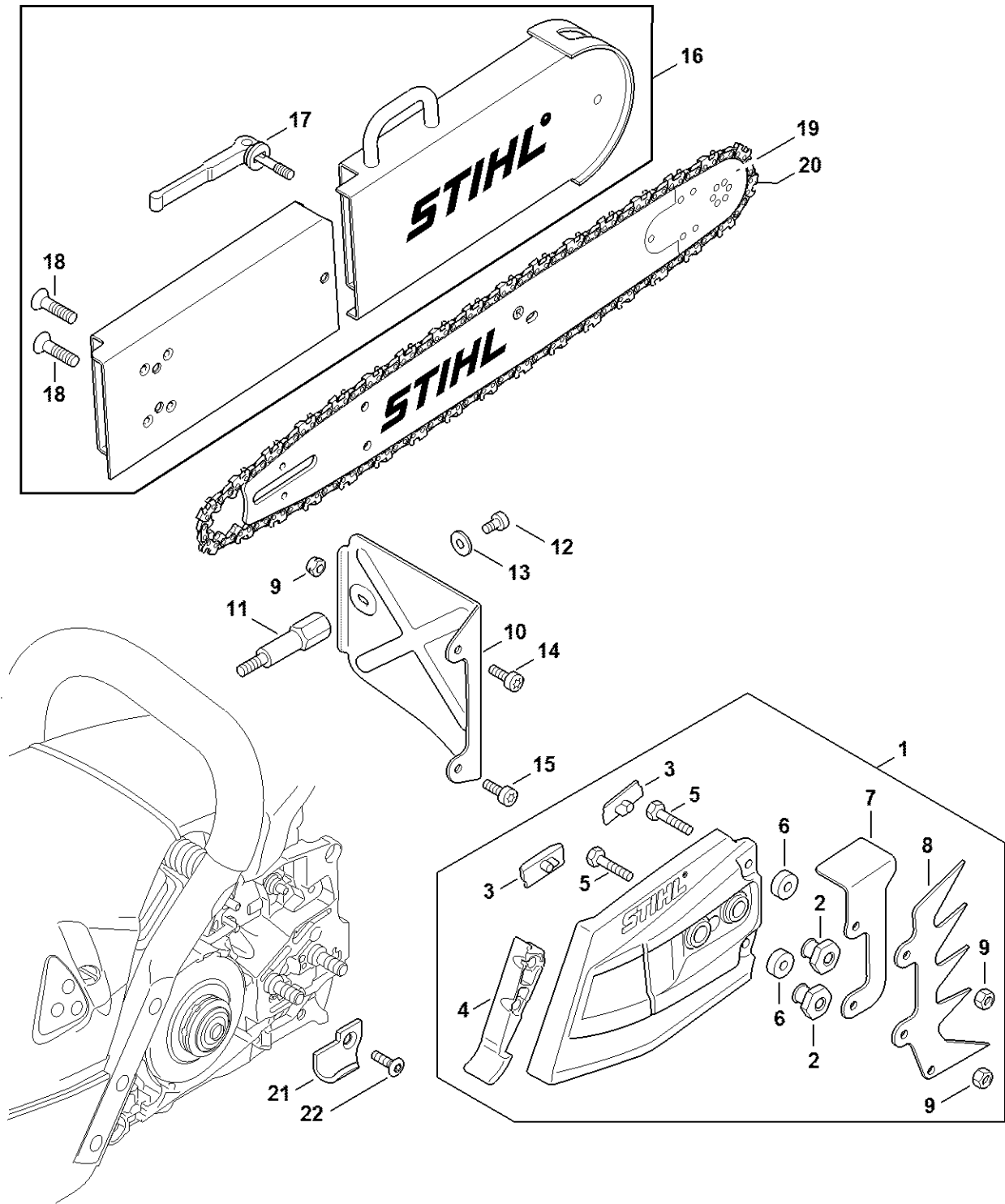


1142-GET-0057-A0

# Handlebar

#	Part Number	Description	Quantity	Contains Item(s)	Remarks
3	1142 790 3701	Wrap around handle	1	4 - 9	
4	1141 791 6100	Collar screw	1		
5	0000 791 7904	Bushing	1		
6	0000 791 2011	Handle hose Ø 19,8 mm x 5 m	1		
7	1142 791 5500	Elbow connector	1		
8	9307 021 0120	Washer 5.3	1		
9	9022 341 0980	Spline screw IS-M5x16	1		

# Rescue saw

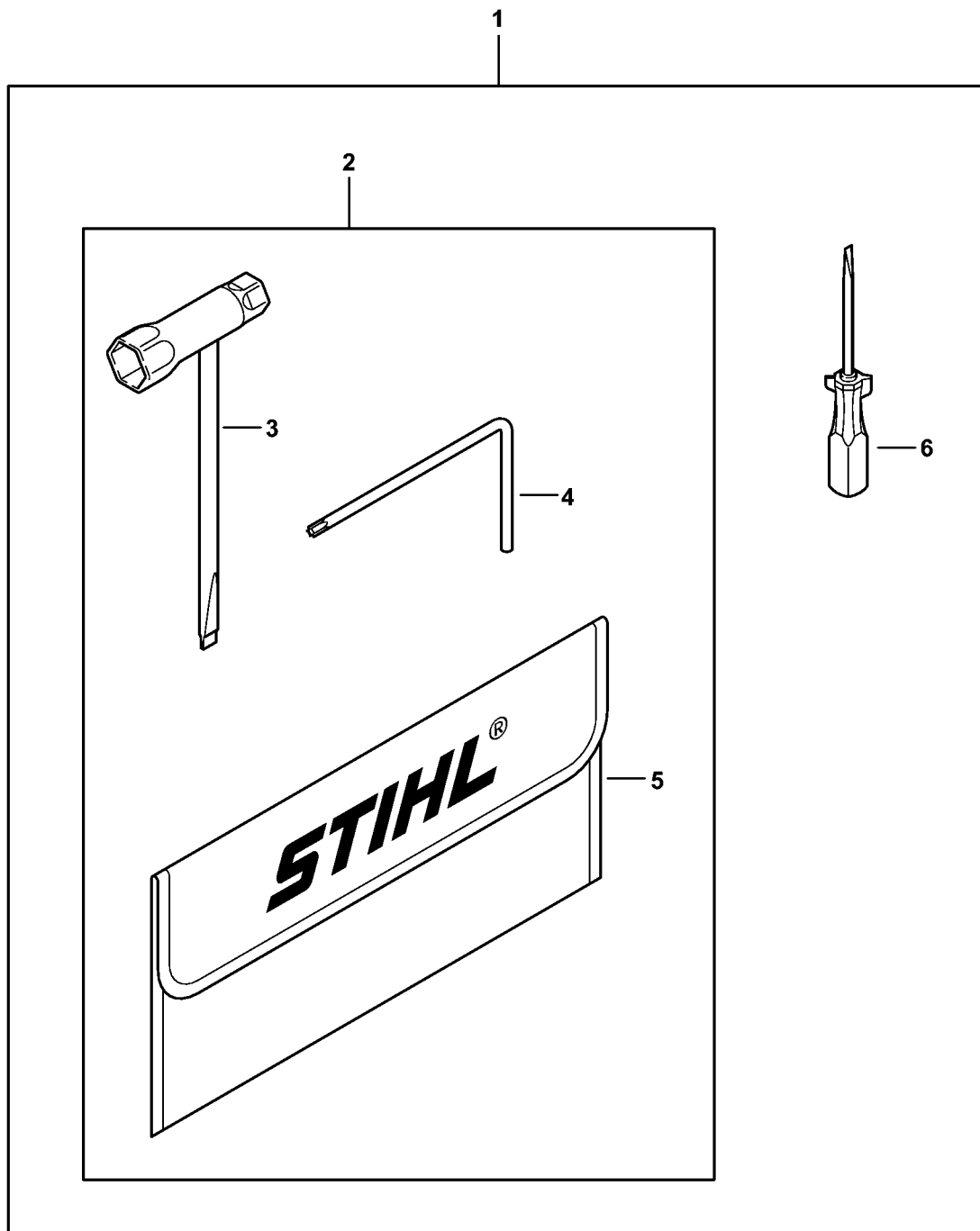


1142-GET-0066-A0



# Rescue saw

#	Part Number	Description	Quantity	Contains Item(s)	Remarks
1	1142 640 1702	Chain sprocket cover	1	2 - 9	
2	0000 995 0803	Collar nut M8	2		
3	1121 648 6610	Bumper strip	2		
4	1142 656 1501	Guard	1		
5	9008 319 1020	Hexagon head screw M5x20	2		
6	3003 655 9200	Washer	2		
7	1142 664 2200	Cover	1		
8	1122 664 0501	Bumper spike	1		
9	9214 320 0700	Lock nut M5	3		
10	1142 145 3700	Guard plate	1		
11	1142 148 1200	Screw M5	1		
12	9022 399 0950	Spline screw IS-M5x10	1		
13	9307 021 0120	Washer 5.3	1		
14	9022 341 0960	Spline screw IS-M5x12	1		
15	9022 341 0983	Spline screw IS-M5x16	1		
16	3003 650 6503	Depth limiter kit	1	17, 18	
17	0000 650 6600	Quick release clamp	1		
18	9064 341 1860	Countersunk screw M8x30	2		
19	3003 002 9421	Rollomatic ES 20" 3/8" .063"/1,6mm	1		
20	3944 000 0072	36RDR chain Rapid Duro R	1		
21	1142 656 7700	Chain catcher	1		
22	9061 373 0982	Countersunk screw M5x18-10.9	1		

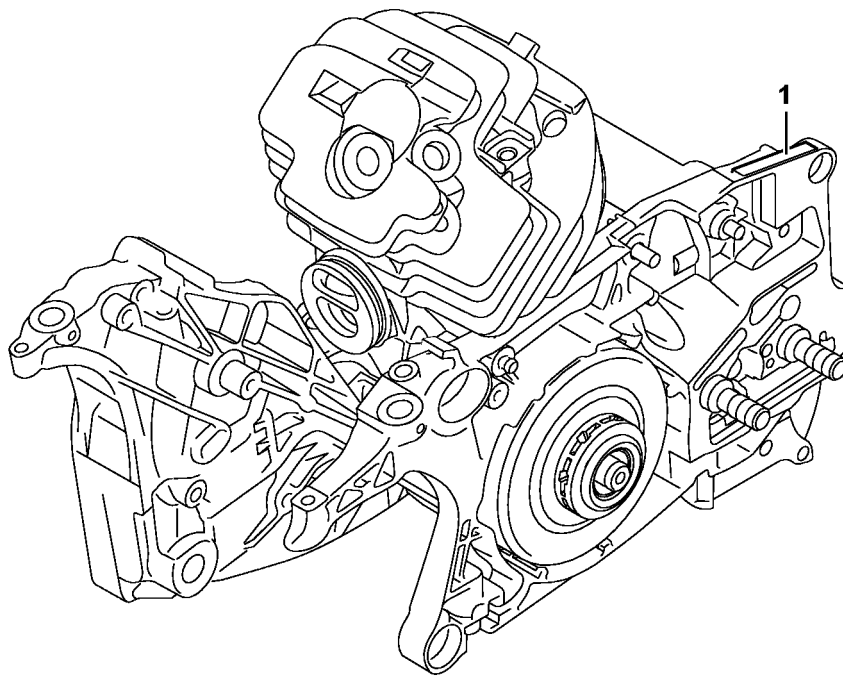


0000-GET-0015-A0

# Tools, Extras

#	Part Number	Description	Quantity	Contains Item(s)	Remarks
2	1142 890 1400	Tool kit	1	3 - 5	
3	1142 890 3400	Combination wrench	1		
4	0812 370 1000	Screwdriver T27x120x70	1		
5	0000 891 0810	Tool roll	1		

# Serial number

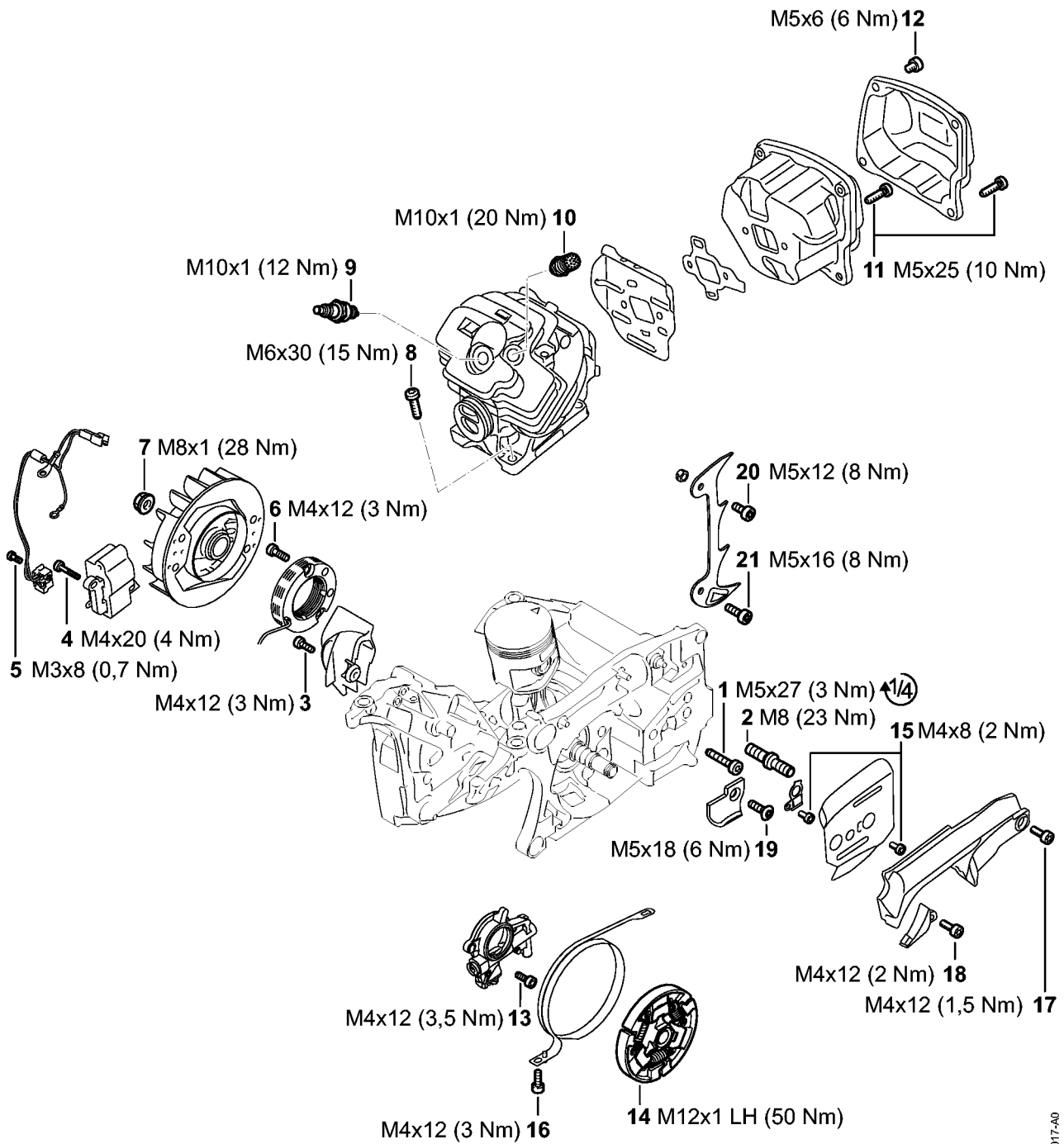


1142-GET-0015-A0

# Serial number

#	Part Number	Description	Quantity	Contains Item(s)	Remarks
1		Position of serial number	1		

# Tightening torques



1142-GET-0017-A0

# Tightening torques

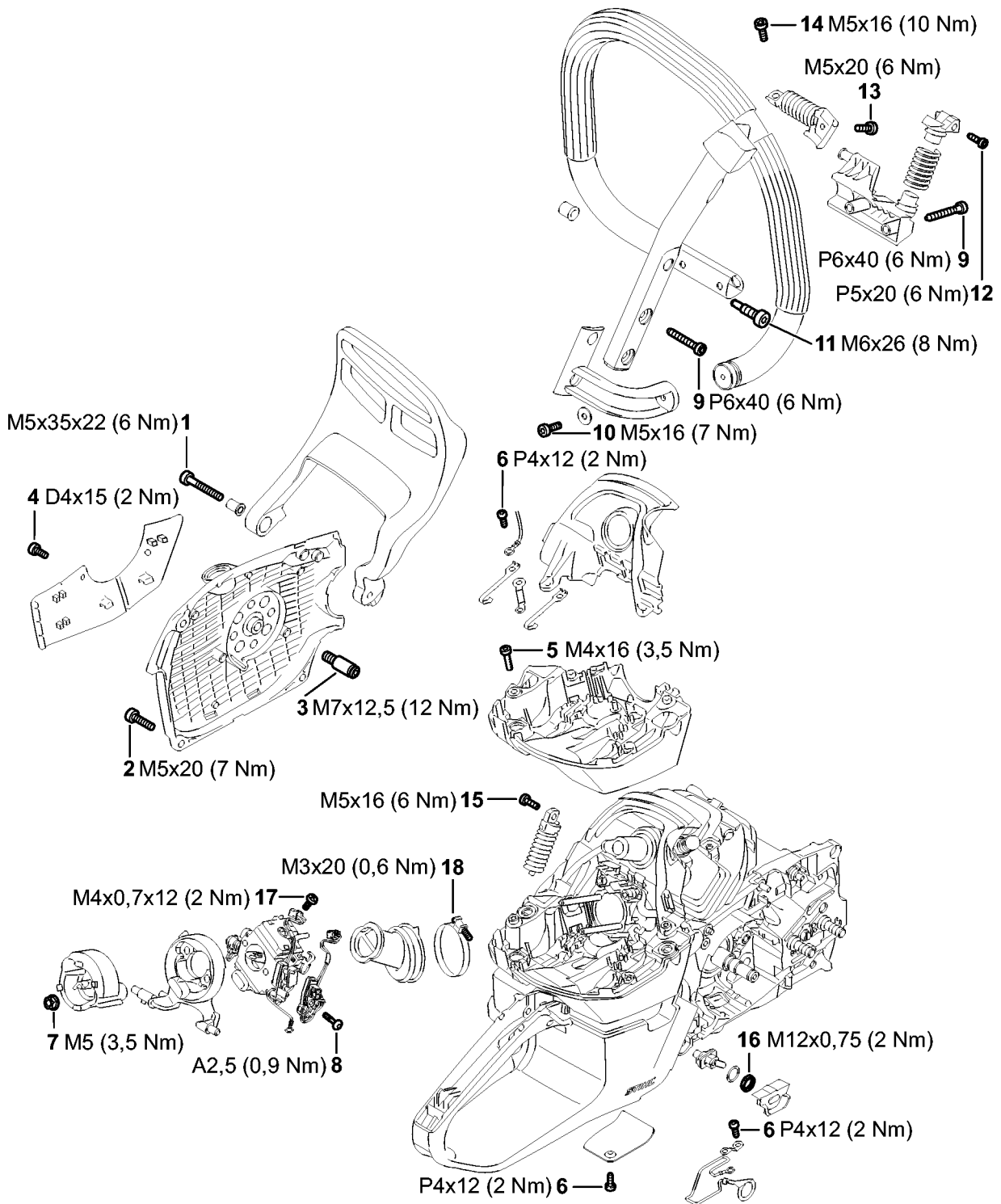
#	Part Number	Description	Quantity	Contains Item(s)	Remarks
1	9022 500 1051	Spline screw IS-M5x27	5		
2	0000 664 2406	Collar screw M8	2		
3	9022 313 0660	Spline screw IS-M4x12	1		Binding thread
4	9022 341 0710	Spline screw IS-M4x20	2		micro-encapsulated
5	9022 319 0340	Screw IS-M3x8	1		Binding thread
7	0000 955 0802	Collar nut M8x1	1		
8	9022 341 1370	Spline screw IS-M6x30	4		Binding thread
9	0000 400 7011	Spark plug NGK CMR6H	1		
10	1142 020 9400	Decompression valve	1		
11	9022 371 1053	Spline screw IS-M5x25-12.9	4		Micro-encapsulated with binding thread
12	9022 341 0911	Spline screw IS-M5x6	2		Micro-encapsulated with binding thread
13	9022 346 0658	Spline screw IS-M4x12	2		Micro-encapsulated with binding thread
14	1142 160 2000	Clutch	1		
15	9022 313 0633	Spline screw IS-M4x8	2		Binding thread
16	9022 346 0658	Spline screw IS-M4x12	1		Micro-encapsulated with binding thread
17	9022 313 0660	Spline screw IS-M4x12	2		Binding thread
18	9022 313 0660	Spline screw IS-M4x12	1		Binding thread
19	9061 373 0982	Countersunk screw M5x18-10.9	1		micro-encapsulated
20	9022 341 0960	Spline screw IS-M5x12	1		Binding thread

# Tightening torques

#	Part Number	Description	Quantity	Contains Item(s)	Remarks
21	9022 341 0983	Spline screw IS-M5x16	1		Micro-encapsulated with binding thread



# Tightening torques

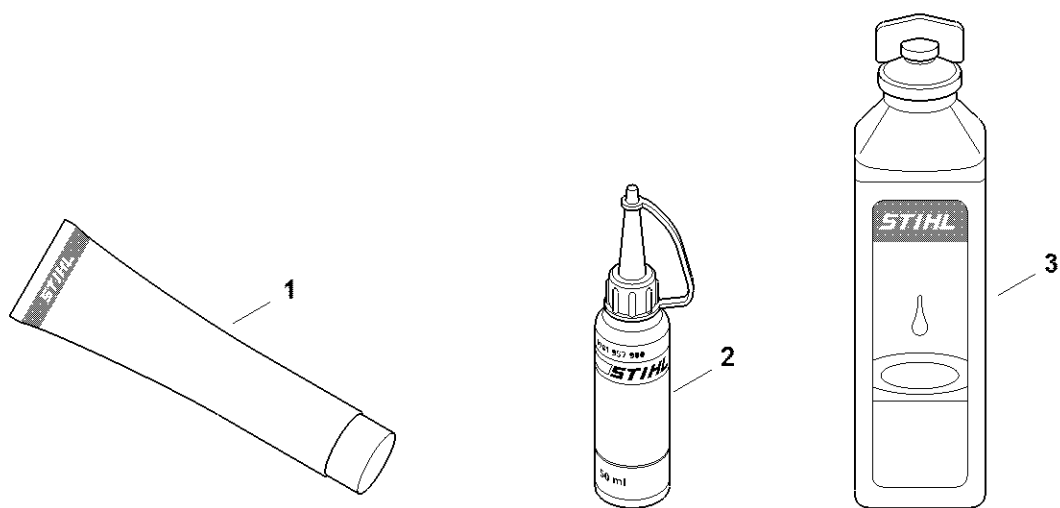


1142-GET-0018-A0

# Tightening torques

#	Part Number	Description	Quantity	Contains Item(s)	Remarks
1	9022 341 1080	Spline screw IS-M5x35	1		Binding thread
2	9022 371 1020	Spline screw IS-M5x20	3		Binding thread
3	1128 080 6500	Axle	1		micro-encapsulated
4	9075 478 3015	Pan head self-tapping screw IS-D4x15	2		
5	9022 313 0680	Pan head screw IS M4x16	4		Binding thread
6	9074 477 2995	Pan head self-tapping screw IS-P4x12	5		
7	9216 261 0700	Hexagon nut M5	2		
8	9076 478 0210	Pan head self-tapping screw IS-A2.5x16	1		
9	9074 478 4705	Pan head self-tapping screw IS-P6x40	4		
10	9022 341 0980	Spline screw IS-M5x16	1		Binding thread
11	1141 791 6100	Collar screw	1		
12	9074 477 4135	Pan head self-tapping screw IS-P5x20	1		
13	9022 371 1020	Spline screw IS-M5x20	1		Binding thread
14	9022 341 0983	Spline screw IS-M5x16	1		Micro-encapsulated with binding thread
15	9022 341 0983	Spline screw IS-M5x16	1		Micro-encapsulated with binding thread
18	9771 021 2674	Hose clip 39.5x5	1		

# Miscellaneous lubricants and greases

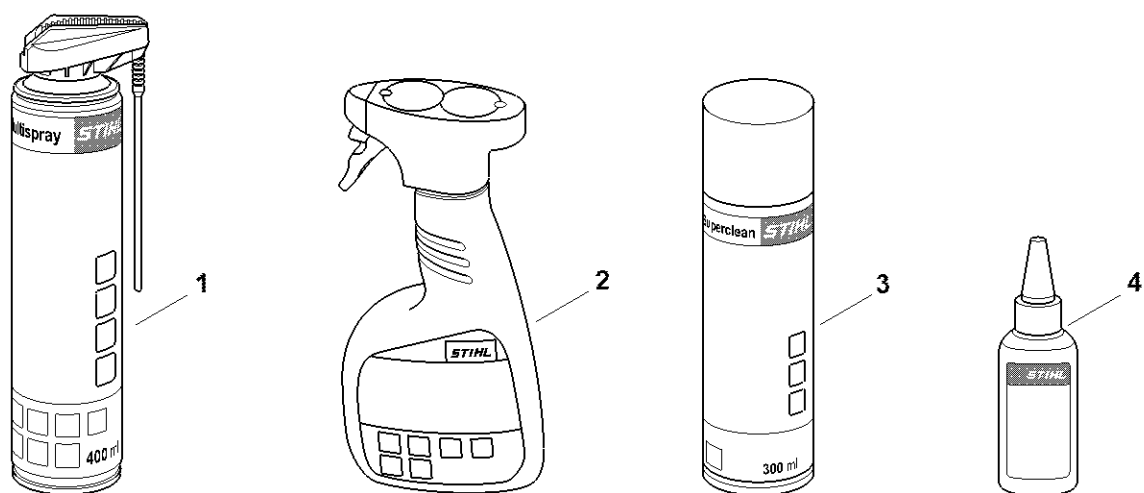


0000-GET-0170-A0

# Miscellaneous lubricants and greases

#	Part Number	Description	Quantity	Contains Item(s)	Remarks
1	0781 120 1021	STIHL Multilub 40g tube	1		
1	0781 120 1109	Multipurpose grease 80 g	1		
1	0781 120 1110	Multipurpose grease 225 g	1		
2	0781 957 9000	Press fluid OH 723	1		
3	0781 319 8401	HP 100ml	1		
3	0781 319 8052	HP Super 100ml	1		
3	0781 319 8060	HP Ultra 100ml	1		

# Cleaning products

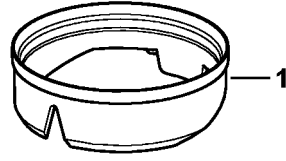


0000-GET-0171-A0

# Cleaning products

#	Part Number	Description	Quantity	Contains Item(s)	Remarks
1	0730 411 7002	Multispray 50 ml	1		
1	0730 411 7000	Multispray	1		
2	0000 881 9400	VarioClean 500 ml	1		
2	0000 881 9409	Special cleaner 5 l	1		
3	0782 420 1001	SuperClean 50 ml	1		
3	0782 420 1002	SuperClean 300 ml	1		
4	0782 516 8500	Multioil Bio 50 ml	1		

# Clamping strap



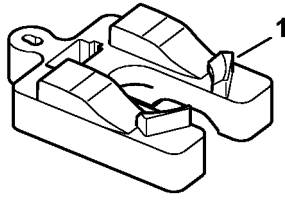
5610-GET-0011-A0

# Clamping strap

#	Part Number	Description	Quantity	Contains Item(s)	Remarks
1	1142 893 2600	Clamping strap	1		



# Piston support

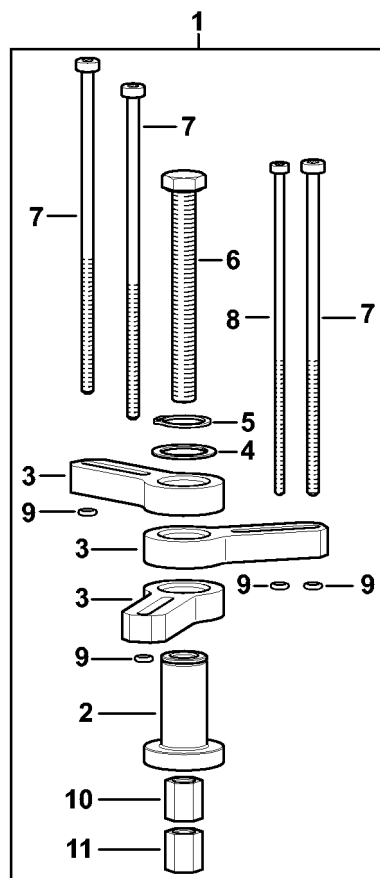


5610-GET-0010-A0

# Piston support

#	Part Number	Description	Quantity	Contains Item(s)	Remarks
1	5910 893 5302	Piston support	1		

# Puller

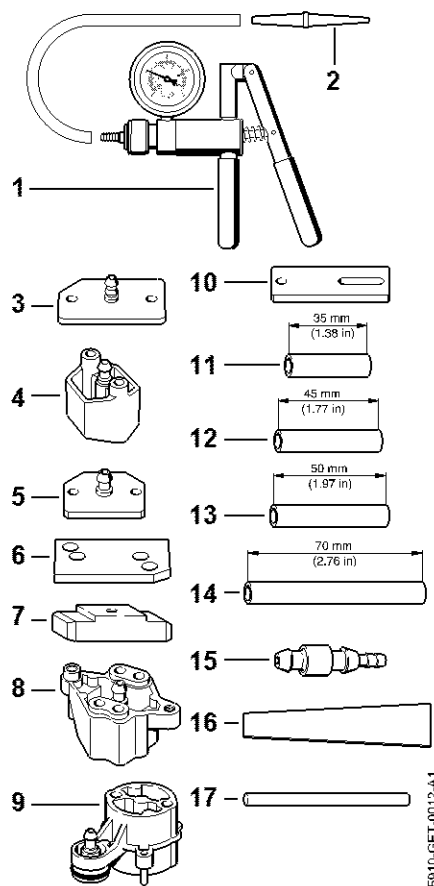


5910-GET-0009-A1

# Puller

#	Part Number	Description	Quantity	Contains Item(s)	Remarks
1	5910 890 4505	Puller	1	2 - 11	
2	5910 893 1712	Sleeve	1		
3	5910 895 0700	Extension arm	3		
4	0000 958 0206	Washer	1		
5	9455 621 2150	Circlip 20x1.2	1		
6	9010 346 2545	Hexagon head screw DIN933-M10x1x95-10.9	1		
7	9022 346 1200	Spline screw IS-M5x145x60-10.9	3		
8	9022 346 0852	Spline screw IS-M4x145x60-10.9	1		
9	9646 945 0160	O-ring 4x2	4		
10	5910 895 0900	Guide piece D8	1		
11	5910 895 0901	Guide piece D10	1		

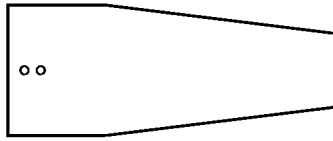
# Testing tool kit



# Testing tool kit

#	Part Number	Description	Quantity	Contains Item(s)	Remarks
	0000 890 1701	Testing tool kit	1	1 - 17	
<b>1</b>	0000 850 1300	Pump	1	2	
<b>2</b>	0000 855 9201	Nipple	1		
<b>3</b>	1106 850 4201	Flange	1		
<b>4</b>	1118 850 4200	Flange	1		
<b>5</b>	1119 850 4201	Test flange	1		
<b>6</b>	1123 855 4200	Flange	1		
<b>7</b>	1124 850 4205	Flange	1		
<b>8</b>	5910 850 4207	Flange	1		
<b>9</b>	4224 890 1200	Flange	1		
<b>10</b>	5910 855 4206	Flange	1		
<b>11</b>	5910 893 1702	Sleeve	2		
<b>12</b>	1123 851 8300	Sleeve	2		
<b>13</b>	1124 893 7100	Sleeve	2		
<b>14</b>	1127 851 8300	Sleeve	2		
<b>15</b>	0000 855 9200	Nipple	1		
<b>16</b>	0000 855 8106	Sealing plate	1		
<b>17</b>	1110 141 8600	Hose 135 mm / 5 5/16"	1		

# Sealing plate



9015W28E KN

# Sealing plate

#	Part Number	Description	Quantity	Contains Item(s)	Remarks
	0000 855 8107	Sealing plate	1		



# Installing tool

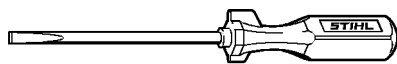


901SW009 GM

# Installing tool

#	Part Number	Description	Quantity	Contains Item(s)	Remarks
	0000 890 2201	Installing tool	1		
	9210 319 0900	Hexagon nut M6	1		

# Screwdriver

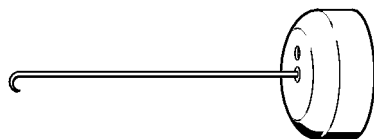


901 SW/558 CM

# Screwdriver

#	Part Number	Description	Quantity	Contains Item(s)	Remarks
	0000 890 2300	Screwdriver	1		

# Assembly hook

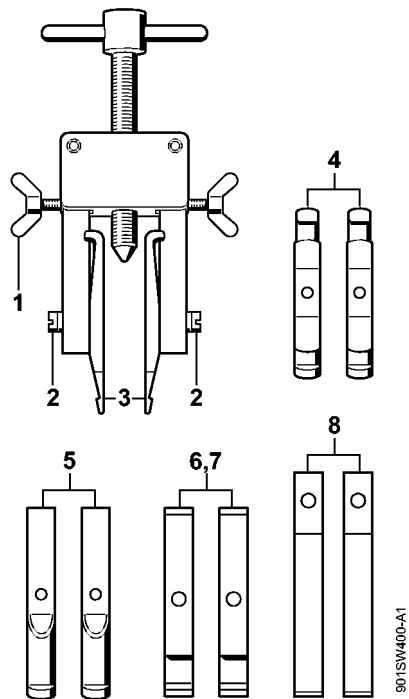


901SW205 GM

# Assembly hook

#	Part Number	Description	Quantity	Contains Item(s)	Remarks
	5910 890 2800	Assembly hook	1		

# Puller



# Puller

#	Part Number	Description	Quantity	Contains Item(s)	Remarks
	5910 890 4400	Puller	1	1 - 8	
1	9157 691 0980	Wing screw M5x16	2		
2	9044 319 0980	Pan head screw M5x16	2		
3	0000 893 3700	Jaw (profile No. 1 and 2)	2		
4	0000 893 3706	Jaw (profile No. 3.1 and 4)	2		
5	0000 893 3711	Jaw (profile No. 6)	2		
6	0000 893 3703	Jaw (profile No. 7)	2		
7	0000 893 3704	Jaw (profile No. 8)	2		
8	0000 893 3707	Jaw (profile No. 9)	2		



# Locking strip

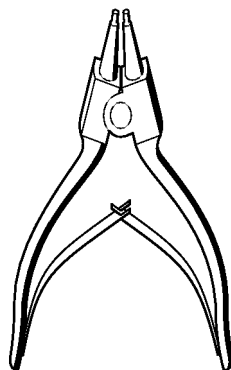


901SW474 SC

# Locking strip

#	Part Number	Description	Quantity	Contains Item(s)	Remarks
	0000 893 5904	Locking strip	1		

# Pliers A10

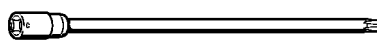


901 SW085 GM

# Pliers A10

#	Part Number	Description	Quantity	Contains Item(s)	Remarks
	0811 611 8200	Pliers A10	1		

# Socket, T20x125

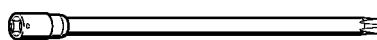


901SW090 GM

# Socket, T20x125

#	Part Number	Description	Quantity	Contains Item(s)	Remarks
	0812 542 2041	Driver bit, 1/4" square drive, T20x125	1		

# Socket, T27x125



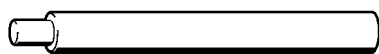
901SW091 GM

# Socket, T27x125

#	Part Number	Description	Quantity	Contains Item(s)	Remarks
	0812 542 2104	Driver bit, 1/4" square drive, T27x125	1		



# Assembly drift

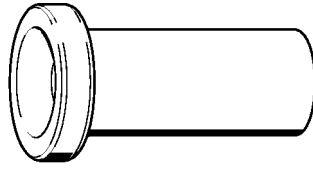


901SW023 GM

# Assembly drift

#	Part Number	Description	Quantity	Contains Item(s)	Remarks
	1108 893 4700	Assembly drift	1		

# Press sleeve

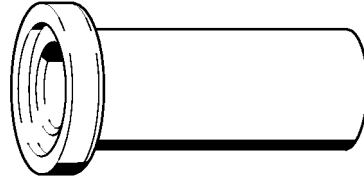


901SW044 GM

# Press sleeve

#	Part Number	Description	Quantity	Contains Item(s)	Remarks
	1113 893 4600	Press sleeve	1		

# Press sleeve

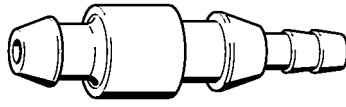


901 SW025 GM

# Press sleeve

#	Part Number	Description	Quantity	Contains Item(s)	Remarks
	1108 893 2405	Press sleeve	1		

# Nipple



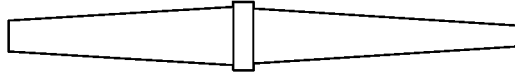
901SW008 GM

# Nipple

#	Part Number	Description	Quantity	Contains Item(s)	Remarks
	0000 855 9200	Nipple	1		



# Nipple



901SW496 GM

# Nipple

#	Part Number	Description	Quantity	Contains Item(s)	Remarks
	0000 855 9201	Nipple	1		

# Hose 135 mm / 5 5/16"

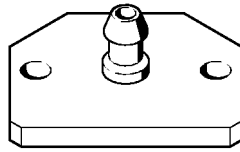


901SW100 GM

# Hose 135 mm / 5 5/16"

#	Part Number	Description	Quantity	Contains Item(s)	Remarks
	1110 141 8600	Hose 135 mm / 5 5/16"	1		

# Test flange

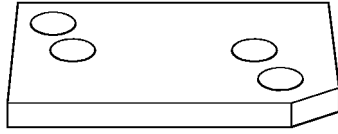


901SW117 GM

# Test flange

#	Part Number	Description	Quantity	Contains Item(s)	Remarks
	1119 850 4201	Test flange	1		

# Flange



9015W356 CIM

# Flange

#	Part Number	Description	Quantity	Contains Item(s)	Remarks
	1123 855 4200	Flange	1		



# Sleeve



901 SW840 G1M

# Sleeve

#	Part Number	Description	Quantity	Contains Item(s)	Remarks
	5910 893 1702	Sleeve	1		

# Installing sleeve

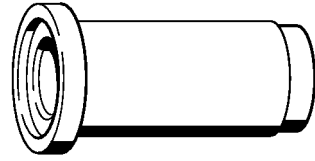


901SW133 GM

# Installing sleeve

#	Part Number	Description	Quantity	Contains Item(s)	Remarks
	1122 893 4600	Installing sleeve	1		

# Press sleeve



901SW429 KN

# Press sleeve

#	Part Number	Description	Quantity	Contains Item(s)	Remarks
	1141 893 2400	Press sleeve	1		

# Assembly tube



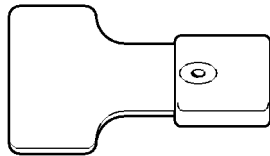
901SW112 GM

# Assembly tube

#	Part Number	Description	Quantity	Contains Item(s)	Remarks
	1117 890 0900	Assembly tube	1		



# Setting gauge

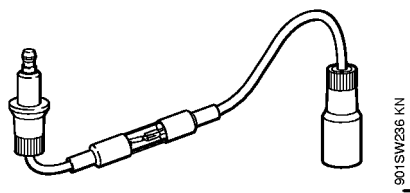


901SW163 GM

# Setting gauge

#	Part Number	Description	Quantity	Contains Item(s)	Remarks
	4118 890 6401	Setting gauge	1		

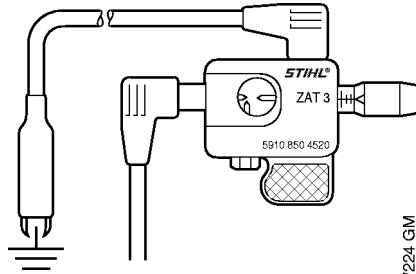
# Ignition system tester, ZAT 4



# Ignition system tester, ZAT 4

#	Part Number	Description	Quantity	Contains Item(s)	Remarks
	5910 850 4503	Ignition system tester, ZAT 4	1		

# Ignition system tester, ZAT 3

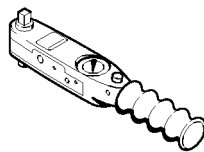


901 SW224 GM

# Ignition system tester, ZAT 3

#	Part Number	Description	Quantity	Contains Item(s)	Remarks
	5910 850 4520	Ignition system tester, ZAT 3	1		

# Torque wrench with optical/acoustic signal



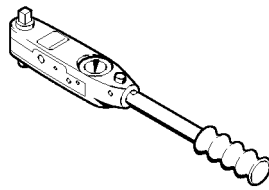
901SW292 KN

# Torque wrench with optical/acoustic signal

#	Part Number	Description	Quantity	Contains Item(s)	Remarks
		Torque wrench	1		



# Torque wrench with optical/acoustic signal

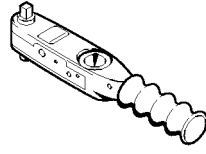


901SW290 KN

# Torque wrench with optical/acoustic signal

#	Part Number	Description	Quantity	Contains Item(s)	Remarks
	5910 890 0312	Torque wrench with optical/acoustic signal	1		

# Torque wrench

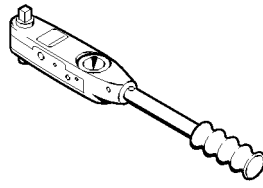


901SW293 KN

# Torque wrench

#	Part Number	Description	Quantity	Contains Item(s)	Remarks
	5910 890 0301	Torque wrench	1		

# Torque wrench

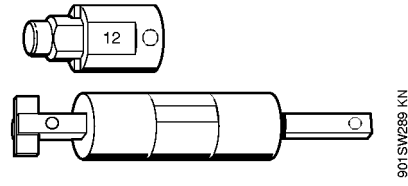


901SW291 KN

# Torque wrench

#	Part Number	Description	Quantity	Contains Item(s)	Remarks
	5910 890 0311	Torque wrench	1		

# Installing tool, 12

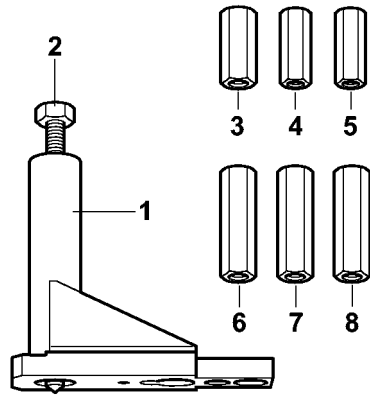


# Installing tool, 12

#	Part Number	Description	Quantity	Contains Item(s)	Remarks
	5910 890 2212	Installing tool, 12	1		
	5910 893 1706	Sleeve	1		



# Service tool AS

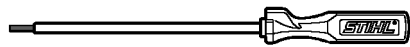


9015W663 SC

# Service tool AS

#	Part Number	Description	Quantity	Contains Item(s)	Remarks
	5910 007 2222	Service tool AS	1	1 - 8	
1	5910 890 2222	Service tool AS	1	2	
2	5910 893 8500	Spindle AS	1		
3	5910 893 2405	Screw sleeve	1		
4	5910 893 2406	Screw sleeve	1		
5	5910 893 2407	Screw sleeve	1		
6	5910 893 2408	Screw sleeve	1		
7	5910 893 2409	Screw sleeve	1		
8	5910 893 2202	Screw sleeve	1		

# Screwdriver

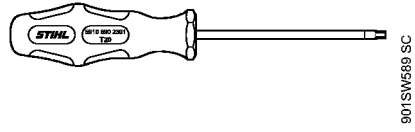


901SW634 KN

# Screwdriver

#	Part Number	Description	Quantity	Contains Item(s)	Remarks
	5910 890 2306	Screwdriver	1		

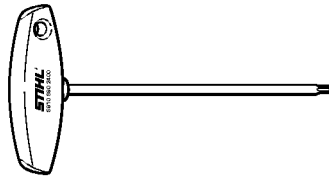
# Screwdriver, T20



# Screwdriver, T20

#	Part Number	Description	Quantity	Contains Item(s)	Remarks
	5910 890 2301	Screwdriver, T20	1		

# Screwdriver, T27x150



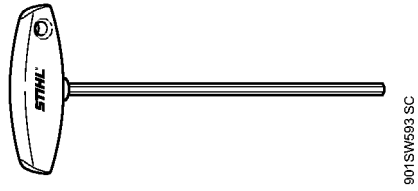
901SW575 KN

# Screwdriver, T27x150

#	Part Number	Description	Quantity	Contains Item(s)	Remarks
	5910 890 2400	Screwdriver, T27x150	1		



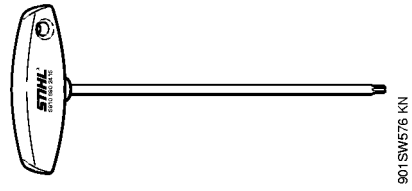
# Screwdriver, Q-4x150



# Screwdriver, Q-4x150

#	Part Number	Description	Quantity	Contains Item(s)	Remarks
	5910 890 2405	Screwdriver, Q-4x150	1		

# Screwdriver, T27x200



# Screwdriver, T27x200

#	Part Number	Description	Quantity	Contains Item(s)	Remarks
	5910 890 2415	Screwdriver, T27x200	1		

# Stud puller, M8-9.5

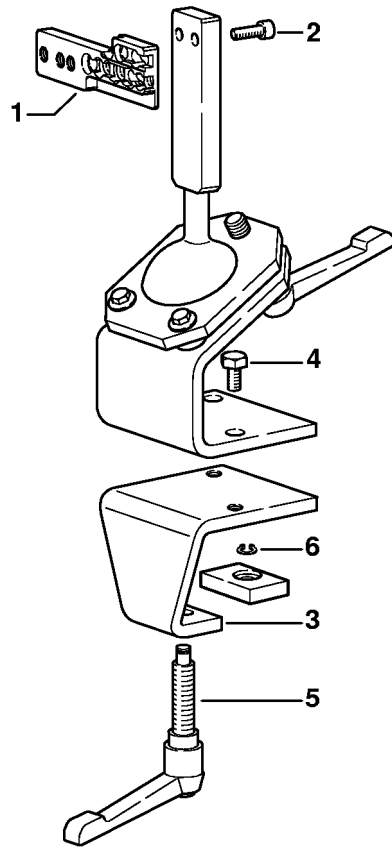


901SW503 GM

# Stud puller, M8-9.5

#	Part Number	Description	Quantity	Contains Item(s)	Remarks
	5910 890 3001	Stud driver M8-9.5	1		

# Assembly stand



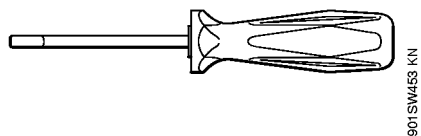
9015W363 SC

# Assembly stand

#	Part Number	Description	Quantity	Contains Item(s)	Remarks
	5910 890 3101	Assembly stand	1	1 - 6	
1	5910 850 1651	Support	1		
2	9045 319 2390	Socket head screw M10x25	2		
3	5910 850 2100	Clamping plate	1	4 - 6	
4	9008 319 2930	Hexagon head screw M12x20	2		
5	5910 890 1901	Clamp lever	1		
6	9455 621 0850	Circlip 10x1	1		



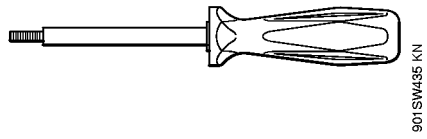
# Punchdown tool



# Punchdown tool

#	Part Number	Description	Quantity	Contains Item(s)	Remarks
	5910 890 4000	Punchdown tool	1		

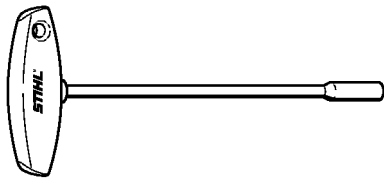
# Puller



# Puller

#	Part Number	Description	Quantity	Contains Item(s)	Remarks
	5910 890 4502	Puller	1		

# Screwdriver, Q-SW 8x200

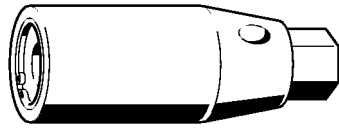


901SW692 SC

# Screwdriver, Q-SW 8x200

#	Part Number	Description	Quantity	Contains Item(s)	Remarks
	5910 890 2420	Screwdriver, Q-SW 8x200	1		

# Stud puller, M8



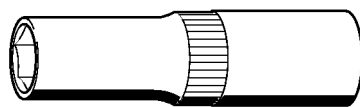
901SW209 GM

# Stud puller, M8

#	Part Number	Description	Quantity	Contains Item(s)	Remarks
	5910 893 0501	Stud puller, M8	1		



# Socket, 13 mm, long reach

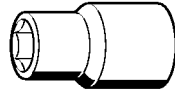


901SW265 KN

# Socket, 13 mm, long reach

#	Part Number	Description	Quantity	Contains Item(s)	Remarks
	5910 893 2804	Socket, 13 mm, long reach	1		

# Socket, 13 mm



901SW217 GM

# Socket, 13 mm

#	Part Number	Description	Quantity	Contains Item(s)	Remarks
	5910 893 5608	Socket, 13 mm	1		

# Socket, 17 mm

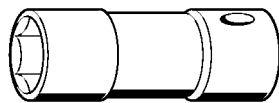


901SW218 GM

# Socket, 17 mm

#	Part Number	Description	Quantity	Contains Item(s)	Remarks
	5910 893 5610	Socket, 17 mm	1		

# Socket, S19x12.5L



901SW073 GM

# Socket, S19x12.5L

#	Part Number	Description	Quantity	Contains Item(s)	Remarks
	5910 893 5613	Socket, S19x12.5L	1		



# Assembly hook

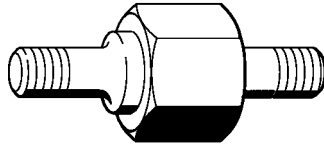


901SW221 GM

# Assembly hook

#	Part Number	Description	Quantity	Contains Item(s)	Remarks
	5910 893 8800	Assembly hook	1		

# Collar screw

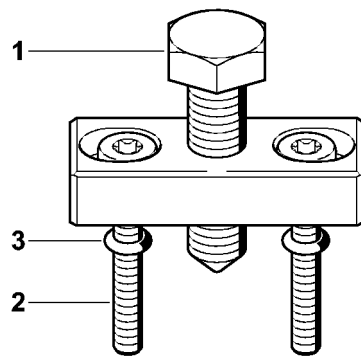


901SW521 KN

# Collar screw

#	Part Number	Description	Quantity	Contains Item(s)	Remarks
	5910 893 9600	Collar screw	1		
	5910 893 9601	Collar screw	1		

# Puller

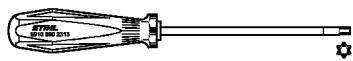


901 SW448 GM

# Puller

#	Part Number	Description	Quantity	Contains Item(s)	Remarks
	5910 890 4504	Puller	1		
<b>1</b>	0000 951 0900	Hexagon head screw	1		
<b>2</b>	9022 341 1080	Spline screw IS-M5x35	2		
<b>3</b>	9646 945 0160	O-ring 4x2	2		

# Screwdriver, T10



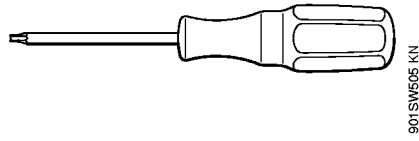
901SW691 SC

# Screwdriver, T10

#	Part Number	Description	Quantity	Contains Item(s)	Remarks
	5910 890 2313	Screwdriver, T10	1		



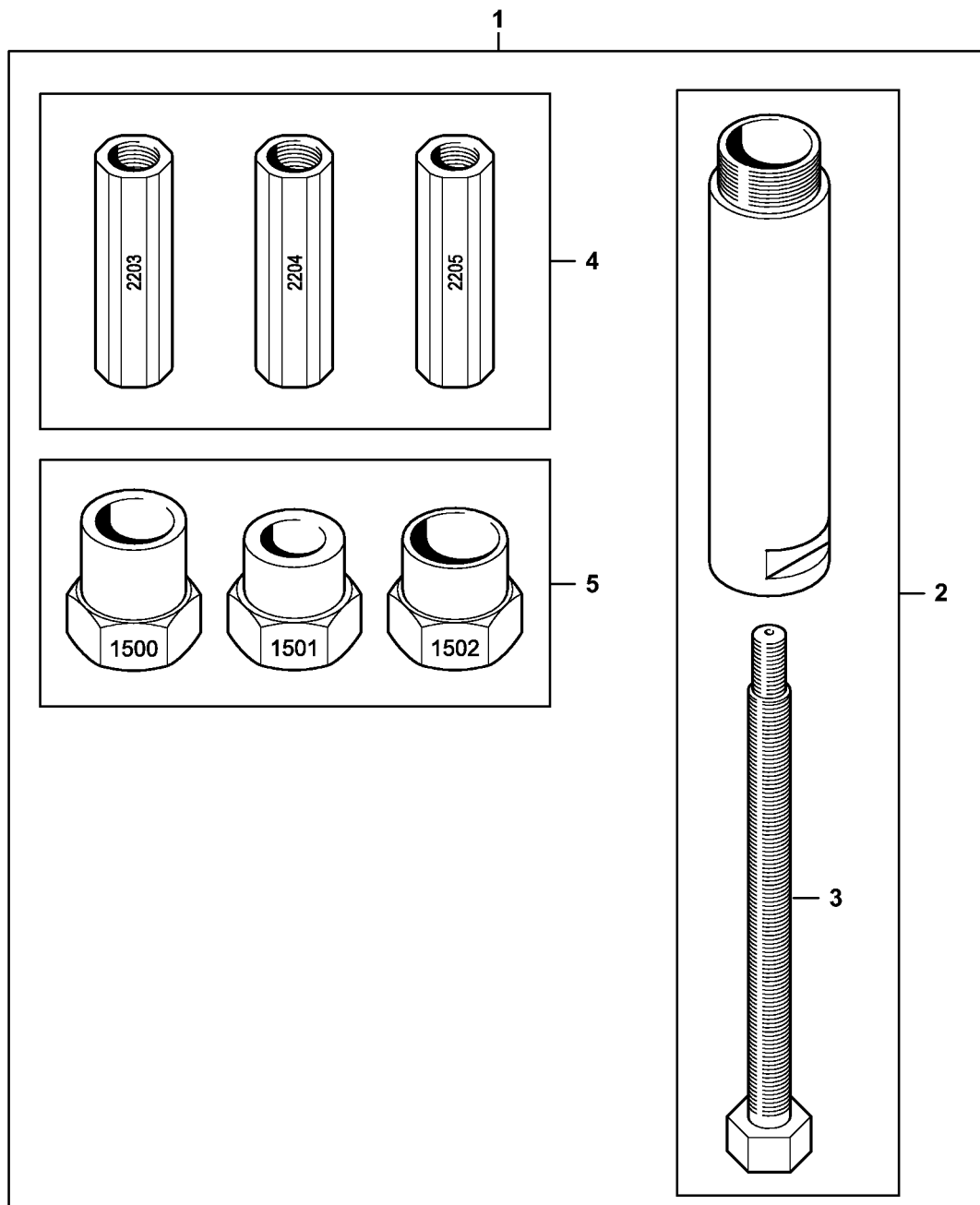
# Screwdriver, T8



# Screwdriver, T8

#	Part Number	Description	Quantity	Contains Item(s)	Remarks
	5910 890 2310	Screwdriver, T8	1		

# Installing tool AS

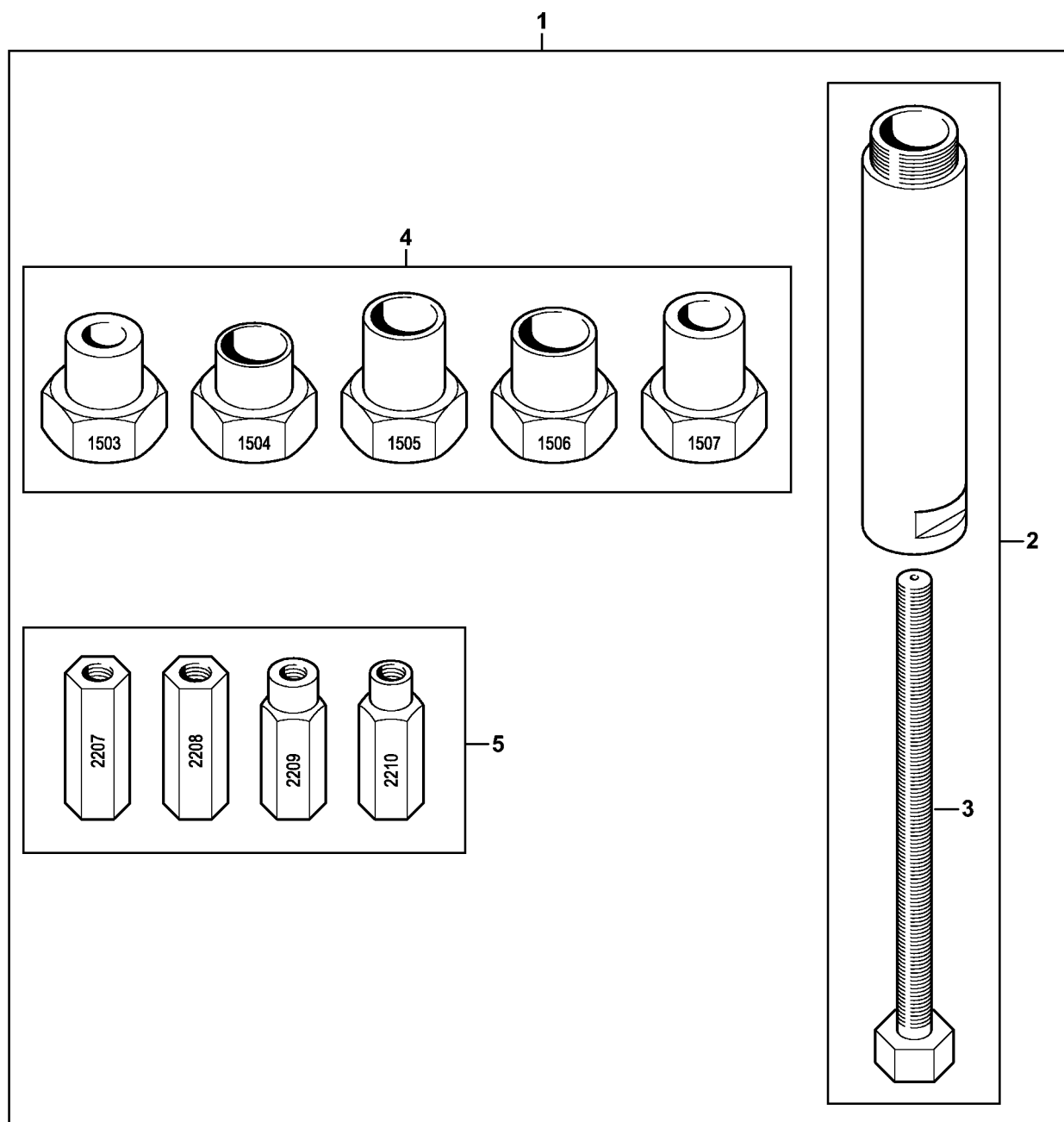


9510-GET-0129-A0

# Installing tool AS

#	Part Number	Description	Quantity	Contains Item(s)	Remarks
1	5910 850 5220	Installing tool AS	1	2 - 5	<a href="http://stihl.com/sxyRs8">http://stihl.com/sxyRs8</a>
2	5910 890 8401	Spindle AS	1	3	
3	5910 893 8503	Spindle M8x1-LH AS	1		
4	5910 007 1009	Set of screw sleeves AS	1		
5	5910 007 1007	Adapter kit AS	1		

# Installing tool LS



9510-GET-0130-A0

# Installing tool LS

#	Part Number	Description	Quantity	Contains Item(s)	Remarks
1	5910 850 5221	Installing tool LS	1	2 - 5	<a href="http://stihl.com/sxyRs8">http://stihl.com/sxyRs8</a>
2	5910 890 8402	Spindle LS	1	3	
3	5910 893 8504	Spindle M8x1 LS	1		
4	5910 007 1008	Adapter kit LS	1		
5	5910 007 1010	Set of screw sleeves LS	1		