

# MS 310

Spare Parts List

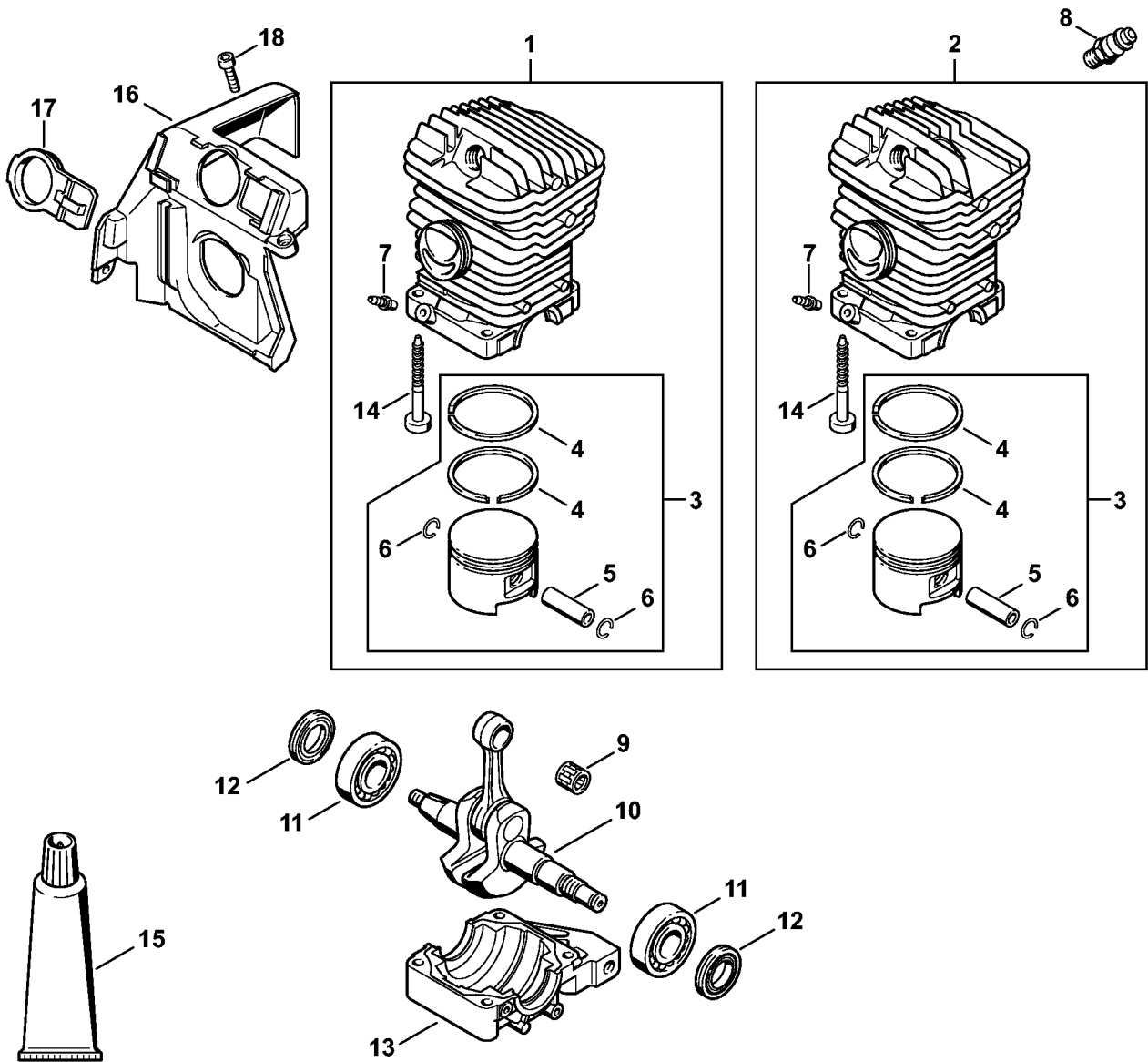
02/08/2023

Indonesia, English

## Contents

Cylinder .....	2	Sleeve .....	65
Motor housing .....	4	Locking strip .....	67
Oil pump, Clutch .....	6	Assembly drift .....	69
Chain brake, Muffler .....	9	Screwdriver .....	71
Ignition system .....	12	Setting disk .....	73
Fan housing with rewind starter .....	14	Torque wrench with optical/acoustic signal .....	75
Handle housing .....	16	Torque wrench .....	77
Carburetor box cover, Air filter .....	19	Torque wrench with optical/acoustic signal .....	79
Carburetor HD-19 .....	21	Torque wrench .....	81
Carburetor HD-21 .....	24	Jaw (profile No. 6) .....	83
Tools, Extras .....	27	Flange .....	85
Serial number .....	29	Screwdriver .....	87
2-in-1 laser .....	31	Assembly stand .....	89
Installing tool .....	33	Clamping plate .....	91
Assembly drift .....	35	Installing tool, 10 .....	93
Sealing plate .....	37	Puller .....	95
Socket, T27x125 .....	39	Testing tool kit .....	97
Assembly tube .....	41	Pump .....	99
Installing sleeve .....	43	Screwdriver, T27x150 .....	101
Setting gauge .....	45		
Press sleeve .....	47		
Clamping strap .....	49		
Flange .....	51		
Assembly hook .....	53		
Stud puller, M8 .....	55		
Socket, 13 mm .....	57		
Socket, 19 mm .....	59		
Assembly hook .....	61		
Puller .....	63		

# Cylinder

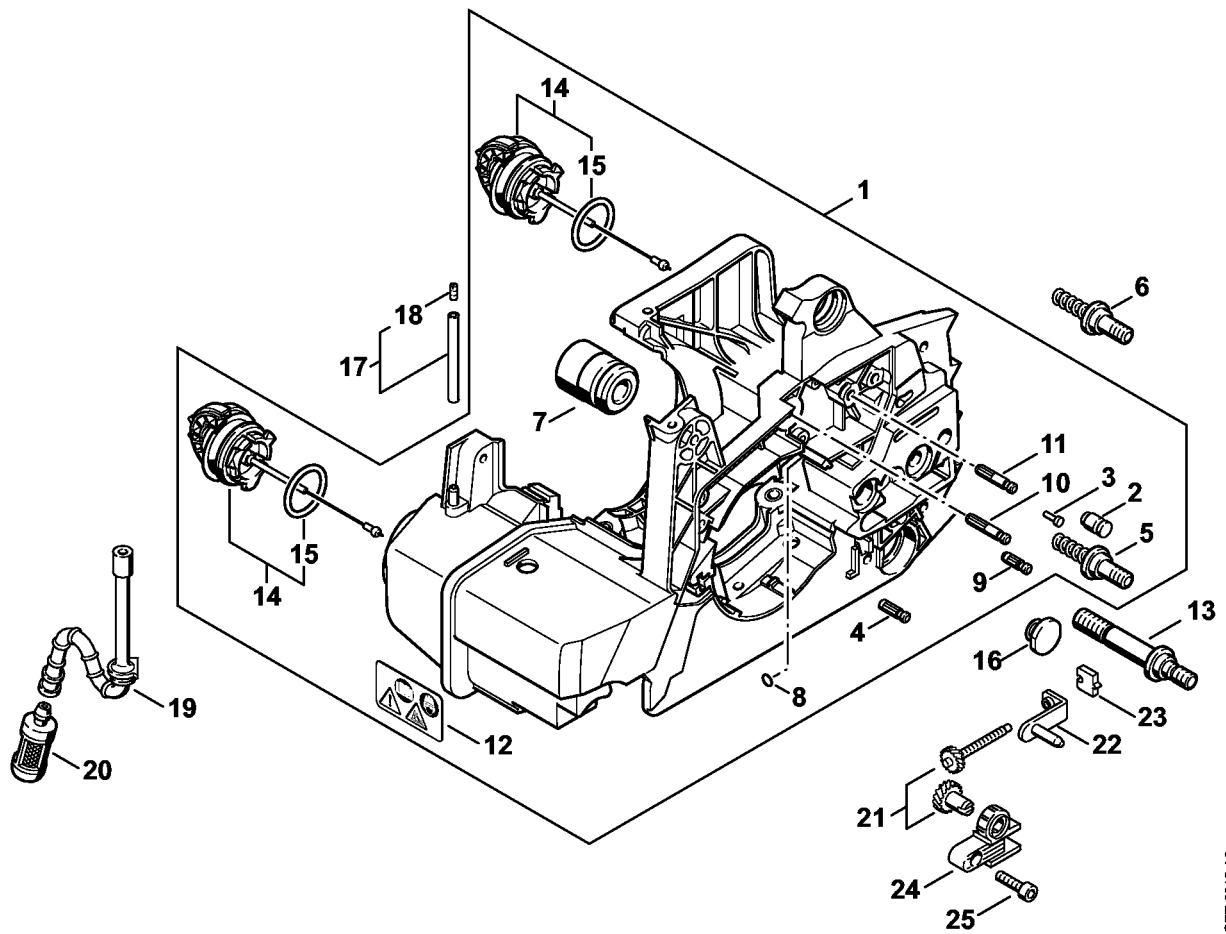


1127-GET-0042-A0

# Cylinder

#	Part Number	Description	Quantity	Contains Item(s)	Remarks
1	1127 020 1214	Cylinder with piston Ø 47 mm	1	3 - 7, 14	
3	1127 030 2007	Piston Ø 47 mm	1	4 - 6	
4	1127 034 3002	Piston ring Ø 47x1.5 mm	2		
5	1110 034 1500	Piston pin 10x6x32	1		
6	9463 650 1000	Snap ring 10	2		
7	0000 988 5211	Connector	1		
8	1127 020 9400	Decompression valve	1		
9	9512 003 2340	Needle cage 10x14x13	1		
10	1127 030 0401	Crankshaft	1		
11	9503 003 0440	Grooved ball bearing 6203	2		
12	9639 010 1743	Oil seal 17x30x4.4	2		
12	9639 003 1743	Oil seal 17x30x4.4	2		
13	1127 021 2500	Engine pan	1		
14	9075 478 4735	Pan head self-tapping screw IS-D6x52	4		
15	0783 830 2000	Tube of sealant HT red	1		
16	1127 084 0900	Shroud	1		
17	1127 084 4100	Shutter	1		
18	9075 478 3015	Pan head self-tapping screw IS-D4x15	2		

# Motor housing

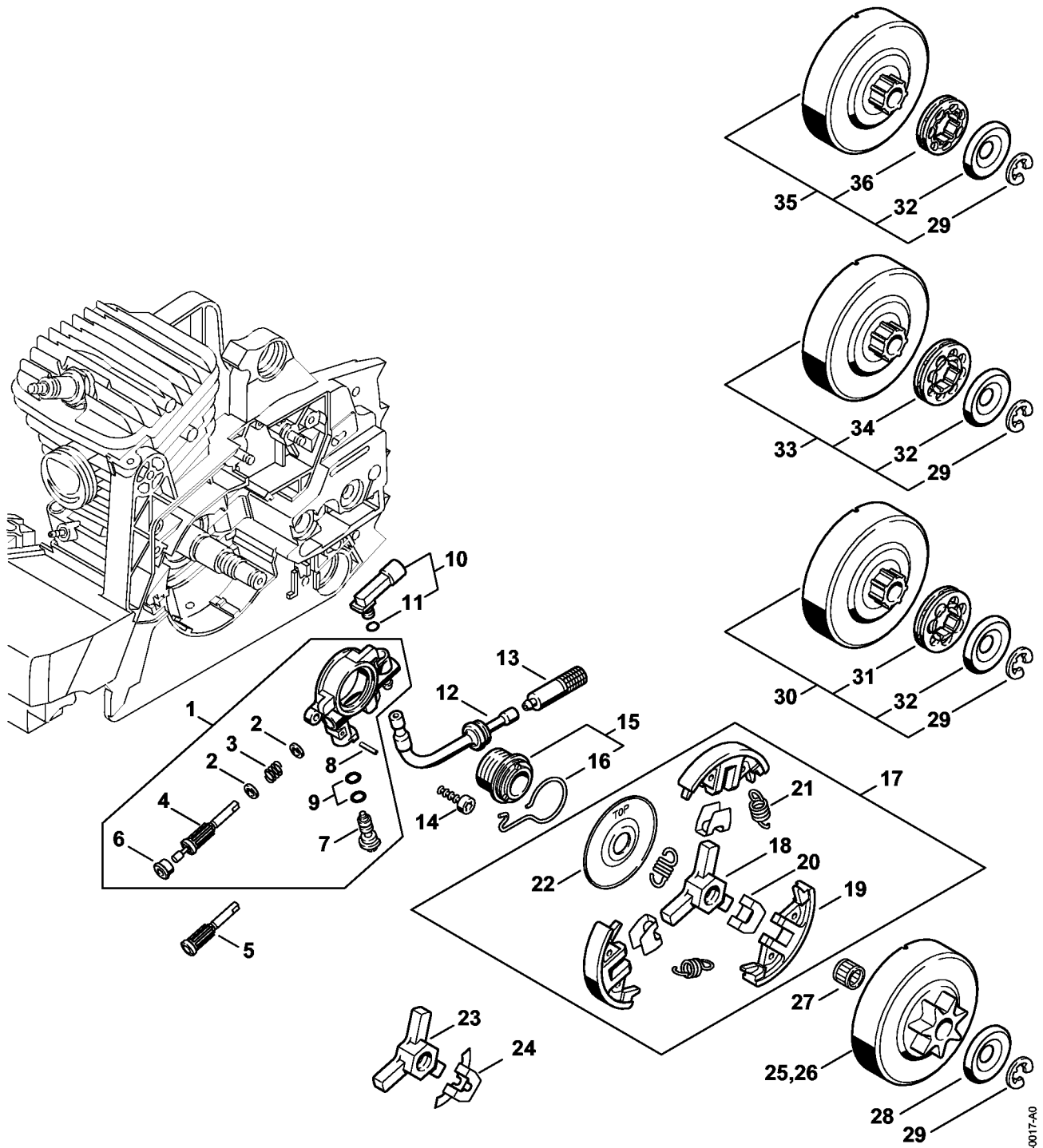


1127-GET-0015-A0

# Motor housing

#	Part Number	Description	Quantity	Contains Item(s)	Remarks
1	1127 020 3006	Engine housing	1	2 - 5, 7 - 12, 14, 15	
2	1128 640 9100	Valve	1		
3	0000 974 1200	Notched pin 2.6x8	1		
4	1120 162 5200	Pin	1		
5	1127 664 2400	Collar screw	1		
6	1127 664 2410	Collar screw D9/M8	1		
7	1127 790 9900	Annular buffer	1		
8	9645 945 7444	O-ring 4x1.5	1		
9	1121 162 5200	Pin	1		
10	1123 162 5205	Pin	1		
11	1123 162 5200	Pin	1		
12	0000 967 7247	Warning pictogram MS	1		
13	1127 664 2405	Collar screw	1		
14	0000 350 0533	Filler cap	2	15	
15	9645 948 7734	O-ring 25x3.5	2		
16	1123 791 7300	Plug	1		
17	1117 350 5800	Tank vent Up to Serial Number: 156601767	1	18	
18	1120 358 8105	Vent insert Up to Serial Number: 156601767	2		
19	1127 358 7703	Hose	1		
20	0000 350 3500	Pickup body	1		
21	1127 007 1003	Spur gear / chain adjusting screw kit	1		
22	1127 640 1900	Tensioner slide	1		
23	1123 664 1400	Thrust pad	1		
24	1127 664 2200	Cover	1		
25	9075 478 3015	Pan head self-tapping screw IS-D4x15	1		

# Oil pump, Clutch



1127-GET-0017-40

# Oil pump, Clutch

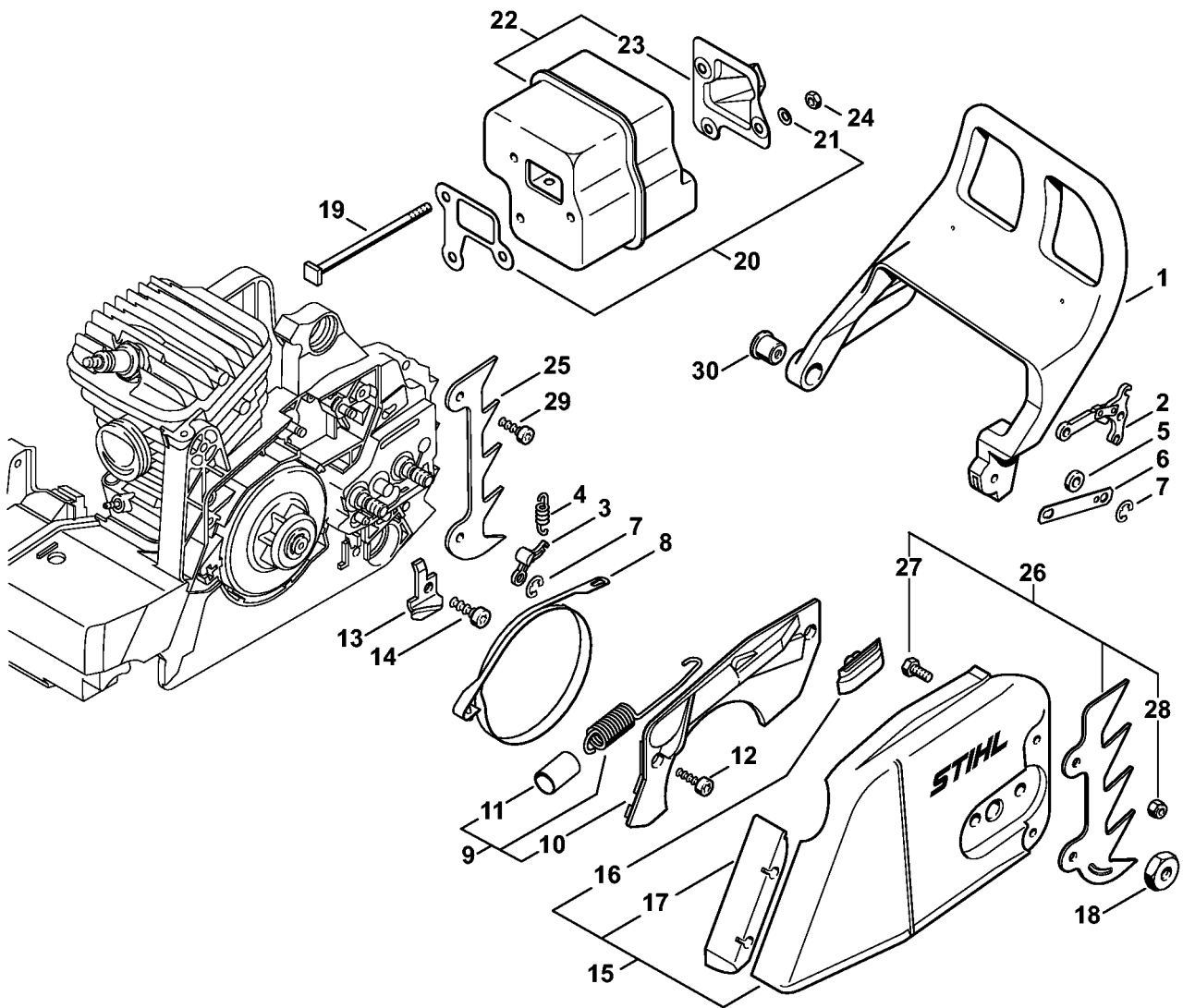
#	Part Number	Description	Quantity	Contains Item(s)	Remarks
1	1127 640 3204	Oil pump	1	2 - 4, 6 - 9	
2	0000 958 0408	Washer	2		
3	0000 997 0615	Compression spring	1		
4	1127 647 0602	Pump piston 0.88 mm	1		
5	1127 647 0601	Pump piston 0.88 mm	1		
6	1121 641 9400	Bearing bushing	1		
7	1128 647 4806	Control bolt	1		
8	9380 620 1090	Roll pin 2x10	1		
9	9646 945 0160	O-ring 4x2	2		
10	1127 640 9200	Elbow connector	1	11	
11	9645 945 7444	O-ring 4x1.5	1		
12	1127 647 9400	Hose	1		
13	1127 640 3800	Pickup body	1		
14	9075 478 3015	Pan head self-tapping screw IS-D4x15	2		
15	1125 640 7110	Worm	1	16	
16	1125 647 2400	Spring	1		
17	1127 160 2051	Clutch	1	18 - 22	
18	1127 162 3200	Carrier	1		
19	1125 162 0802	Clutch shoe	3		
20	1127 162 3000	Retainer	3		
21	0000 997 0909	Tension spring	3		
22	1127 162 1000	Cover washer	1		
23	1125 162 3201	Carrier	1		
24	1125 162 3000	Retainer	1		
25	1125 640 2005	Chain sprocket 0.325" 7T	1		
26	1125 640 2004	Chain sprocket 3/8" 7T	1		
27	9512 933 2260	Needle cage 10x13x10	1		

# Oil pump, Clutch

#	Part Number	Description	Quantity	Contains Item(s)	Remarks
28	0000 958 1022	Washer Ø 27 mm	1		
29	9460 624 0801	E-clip 8x1.3	1		
30	1125 007 1002	Rim sprocket kit 3/8" 7T	1	29, 31, 32	
31	0000 642 1231	Rim sprocket 3/8" 7T	1		
32	0000 958 1022	Washer Ø 27 mm	1		
33	1125 007 1000	Rim sprocket kit 0.325" 8T	1	29, 32, 34	
34	0000 642 1234	Rim sprocket 0.325" 8T	1		
35	1125 007 1001	Rim sprocket kit 0.325" 7T	1	29, 32, 36	
36	0000 642 1236	Rim sprocket 0.325" 7T	1		



# Chain brake, Muffler



1127-GET-0019-A0

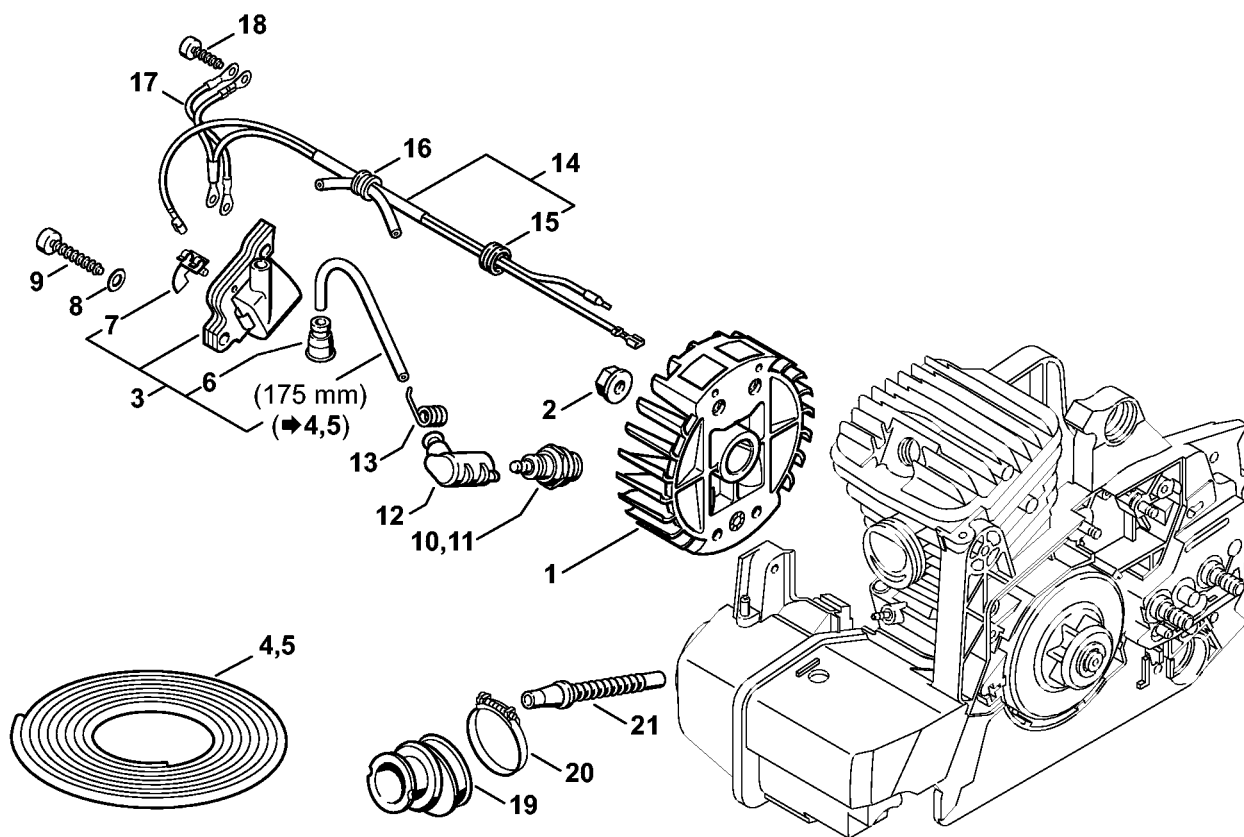
# Chain brake, Muffler

#	Part Number	Description	Quantity	Contains Item(s)	Remarks
1	1127 792 9100	Hand guard	1		
2	1128 160 5000	Lever	1		
3	1121 162 5010	Lever	1		
4	0000 997 0628	Spring	1		
5	0000 958 0521	Washer	1		
6	1127 162 5800	Strap	1		
7	9460 624 0400	E-clip 4	2		
8	1125 160 5400	Brake band	1		
9	1127 160 5550	Tension spring with cover	1	10, 11	
10	1127 021 1102	Cover	1		
11	1125 162 8002	Hose 20 mm / 13/16"	1		
12	9075 478 3015	Pan head self-tapping screw IS-D4x15	2		
13	1119 656 7705	Chain catcher	1		
14	9075 478 4115	Pan head self-tapping screw IS-D5x16	1		
15	1128 640 1706	Chain sprocket cover	1	16, 17	
16	1121 648 6610	Bumper strip	4		
17	1125 656 1501	Guard	1		
18	0000 955 0801	Hexagon nut M8	2		
19	1127 148 1200	Screw	3		
20	1127 149 0600	Muffler gasket	1	21	
21	9331 630 0120	Conical spring washer 5	3		
22	1127 140 0601	Muffler	1	23	Standard
23	1127 145 1601	Cover	1		Standard
24	9216 263 0700	Hexagon nut M5	3		
25	1128 664 0500	Bumper spike	1		
26	0000 660 0850	Bumper spike	1	27, 28	
27	9008 345 0960	Hexagon head screw M5x12	2		

# Chain brake, Muffler

#	Part Number	Description	Quantity	Contains Item(s)	Remarks
28	9214 320 0700	Lock nut M5	2		
29	9075 478 4115	Pan head self-tapping screw IS-D5x16	2		
30	1127 791 7200	Sleeve	1		

# Ignition system

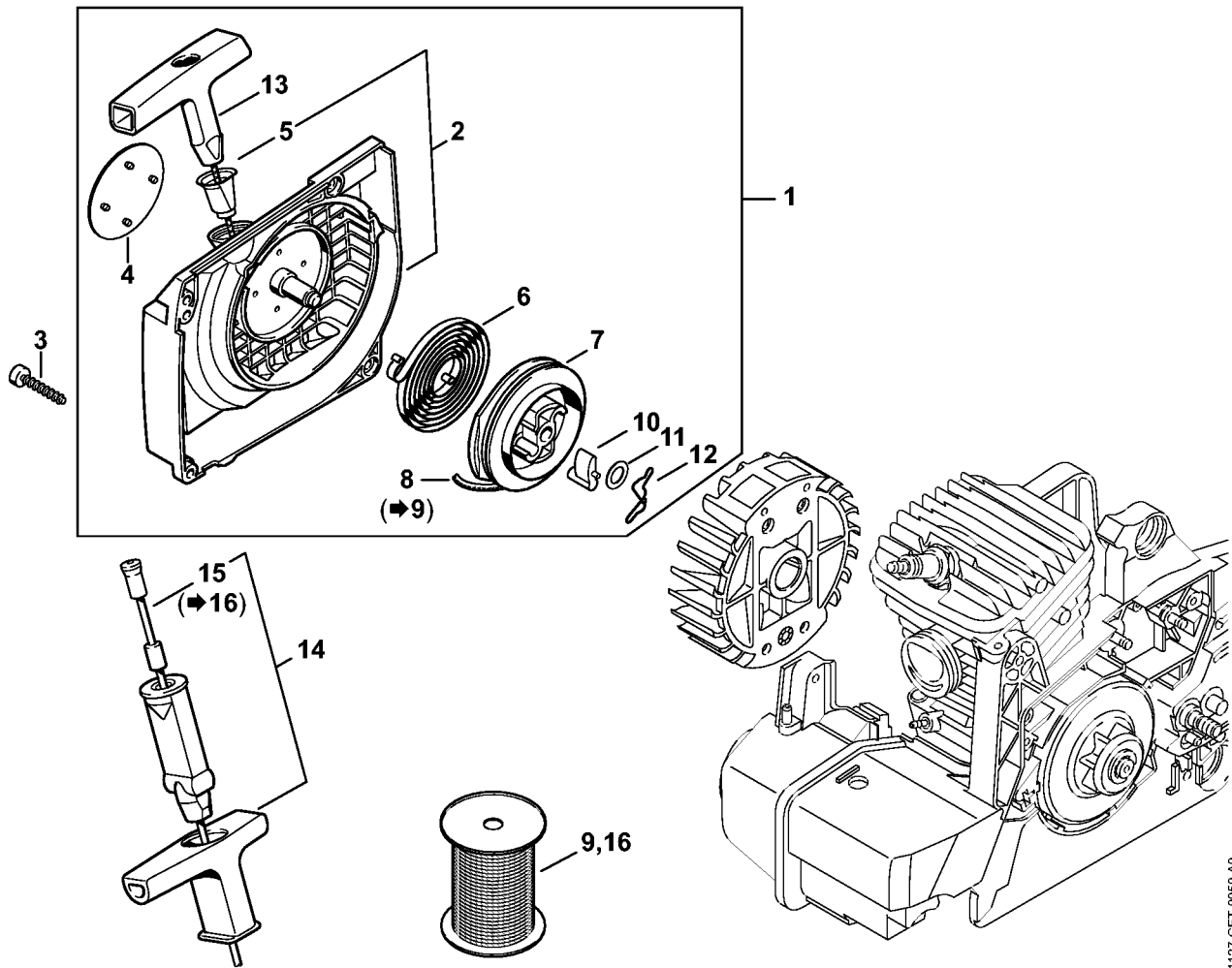


1127-GET-0012-A0

# Ignition system

#	Part Number	Description	Quantity	Contains Item(s)	Remarks
1	1127 400 1200	Flywheel	1		
2	0000 955 0802	Collar nut M8x1	1		
3	0000 400 1300	Ignition module	1	6, 7	
4	0000 405 0600	Ignition lead 1 m	1		
5	0000 930 2251	Ignition lead 10 m	1		
6	0000 989 1010	Grommet	1		
7	0000 448 1250	Lead retainer	1		
8	9291 021 0120	Washer 5.3	1		
9	9075 478 4155	Pan head self-tapping screw IS-D5x24	2		
10	1110 400 7005	Spark plug Bosch WSR 6 F	1		
11	0000 400 7000	Spark plug NGK BPMR7A	1		
12	1128 405 1000	Spark plug boot	1		
13	0000 998 0604	Spark plug contact spring	1		
14	1127 440 3001	Wiring harness	1	15	
15	0000 989 0814	Grommet	1		
16	1125 084 8900	Grommet	1		
17	1123 440 2200	Ground wire	1		
18	9075 478 3015	Pan head self-tapping screw IS-D4x15	1		
19	1127 141 2200	Manifold	1		
20	9771 021 2620	Hose clip Ø 36x5	1		
21	1127 141 8600	Impulse hose	1		

# Fan housing with rewind starter

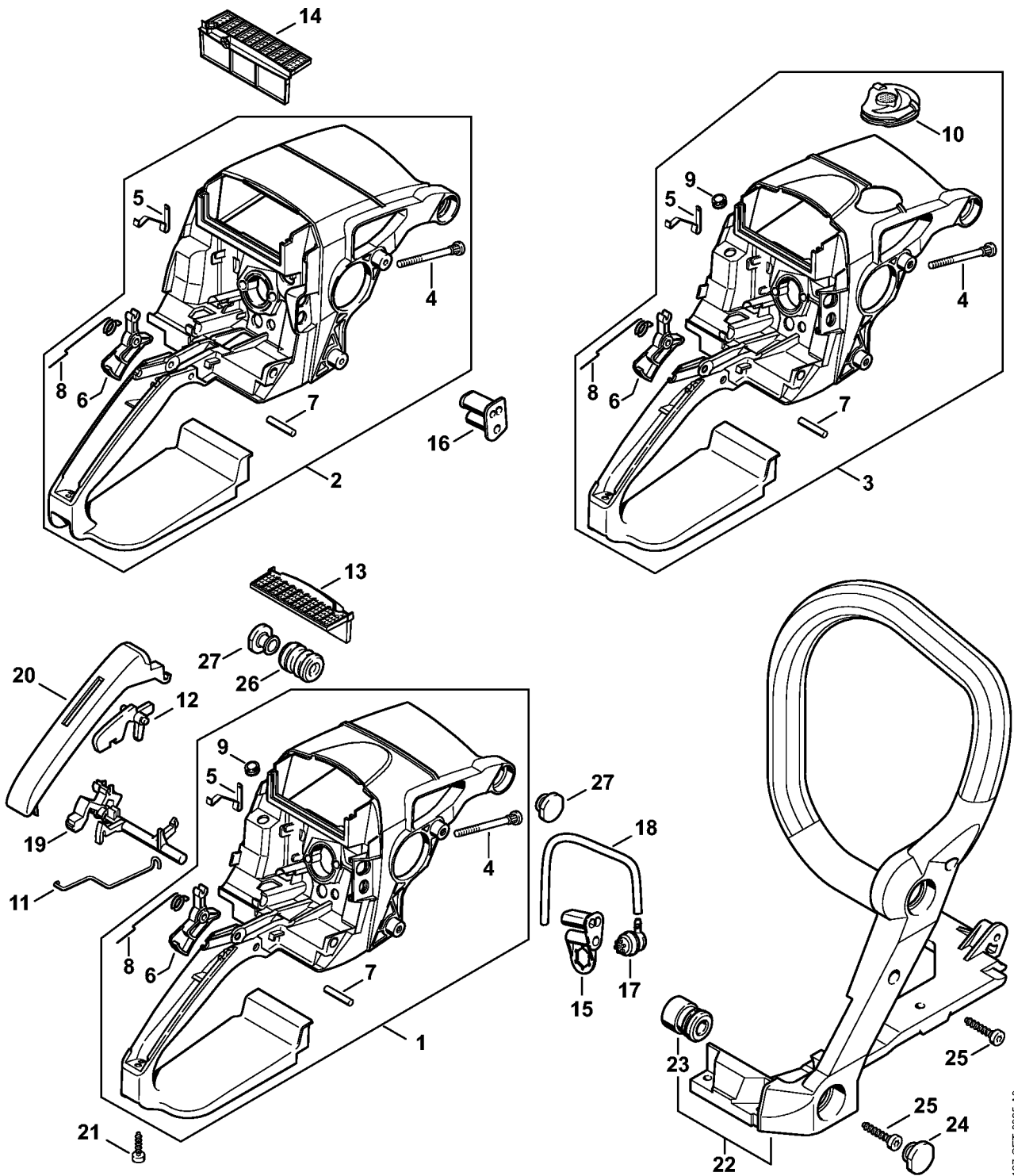


1127-GET-0050-A0

# Fan housing with rewind starter

#	Part Number	Description	Quantity	Contains Item(s)	Remarks
1	1127 080 2108	Fan housing with rewind	1	2, 4 - 8, 10 - 13	
2	1127 080 1802	Fan housing	1	5	
3	9075 478 4155	Pan head self-tapping screw IS-D5x24	4		
4	1127 967 1504	Model plate MS 310	1		
5	1110 084 9102	Bushing	1		
6	1129 190 0601	Rewind spring	1		
7	1128 195 0400	Rope rotor	1		
8	1113 195 8200	Starter rope Ø 3.5x960 mm	1		
9	0000 930 2203	Starter rope Ø 3.5 mm x 30.5 m	1		
10	1125 195 7200	Pawl	2		
11	0000 958 0923	Washer	1		
12	1128 195 3500	Spring	1		
13	1121 195 3400	Starter grip	1		
14	1128 190 3400	Starter grip ElastoStart Ø 3,5 mm	1	15	
15	1128 190 2900	Starter rope Ø 3.5 mm	1		
16	0000 930 2267	Starter rope Ø 3.5 mm / 28 pieces	1		

# Handle housing



1127-GET-0025-A0



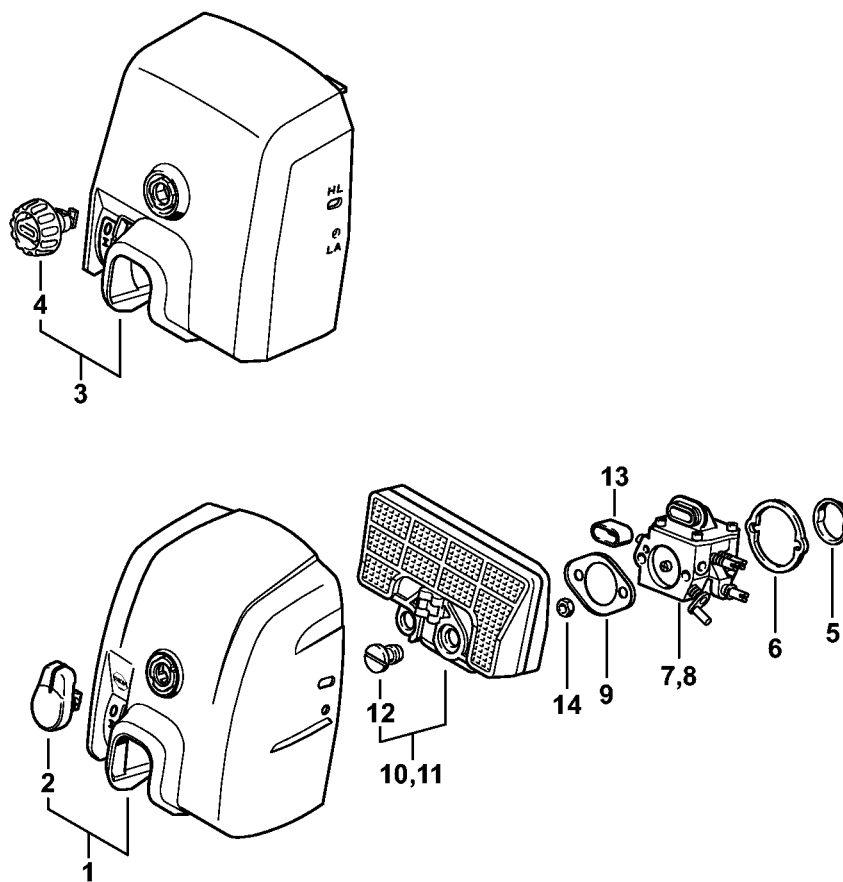
# Handle housing

#	Part Number	Description	Quantity	Contains Item(s)	Remarks
1	1127 790 1002	Handle housing	1	4 - 9	
2	1127 790 1001	Handle housing Up to Serial Number: 156601767	1	4 - 8	
3	1127 790 1008	Handle housing	1	4 - 10	
4	1122 122 6602	Collar screw	2		
5	1127 442 1600	Contact spring	1		
6	1128 182 1005	Throttle trigger	1		
7	9371 470 2640	Cylindrical pin 5x24	1		
8	1117 182 4500	Torsion spring	1		
9	0000 989 0815	Grommet	1		
10	1127 084 7400	Grommet	1		
11	1127 182 1500	Throttle rod	1		
12	1117 182 0805	Lockout lever	1		
13	1127 124 1501	Prefilter	1		
14	1127 124 1500	Prefilter Up to Serial Number: 156601767	1		
15	1127 123 7503	Grommet	1		
16	1128 123 7502	Grommet Up to Serial Number: 156601767	1		
17	0000 350 5802	Tank vent	1		
18	1127 358 7600	Hose	1		
19	1127 182 0900	Switch shaft	1		
20	1123 791 0600	Handle molding	1		
21	9075 478 3015	Pan head self-tapping screw IS-D4x15	1		
22	1127 790 1700	Handlebar	1	23	
23	1123 790 9900	Annular buffer	2		
24	1123 791 7300	Plug	2		
25	9075 478 4155	Pan head self-tapping screw IS-D5x24	7		

# Handle housing

#	Part Number	Description	Quantity	Contains Item(s)	Remarks
26	1123 791 2805	Annular buffer	1		
27	1123 791 7310	Plug	2		

# Carburetor box cover, Air filter

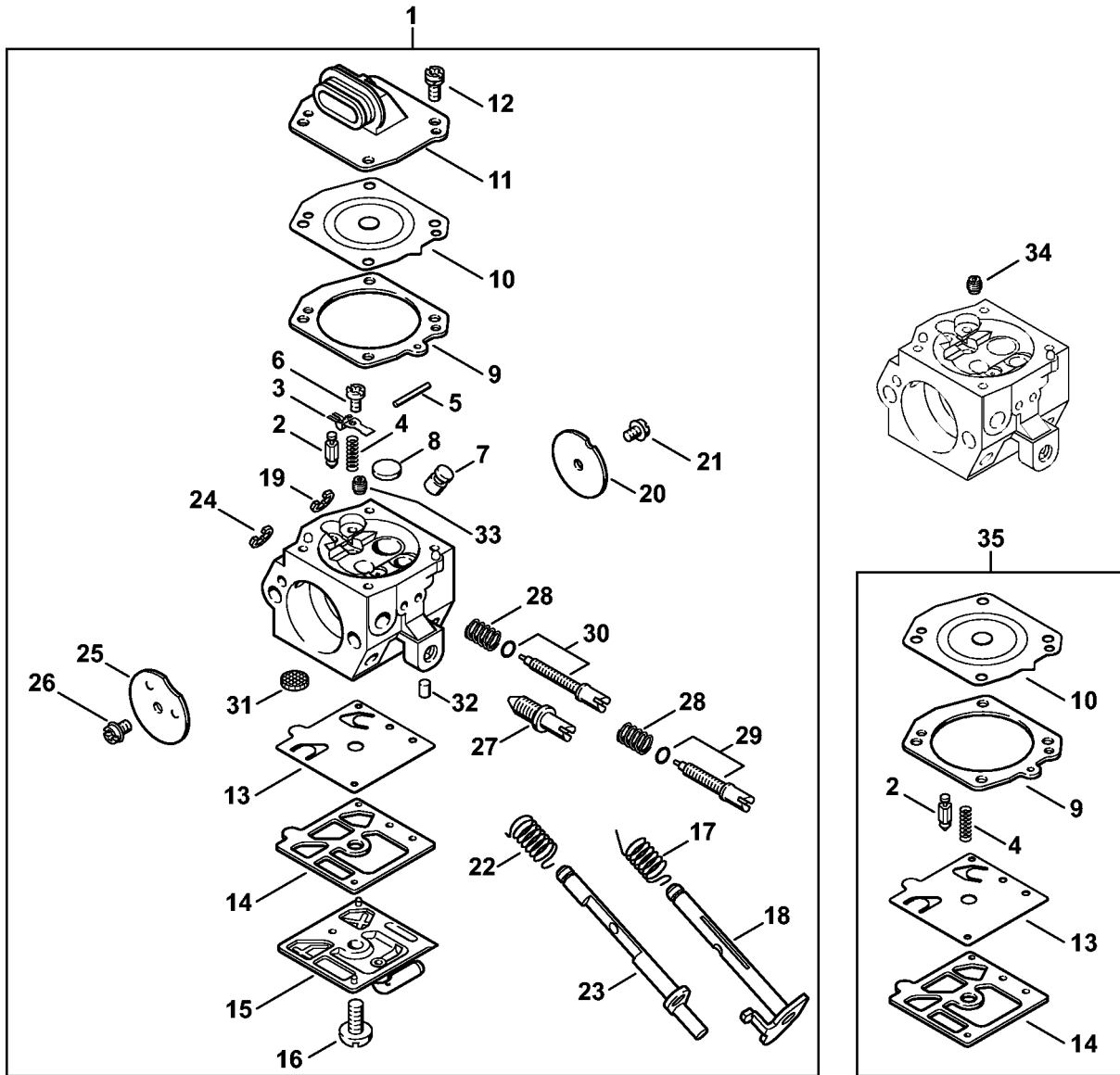


1127-GET-0032-A0

# Carburetor box cover, Air filter

#	Part Number	Description	Quantity	Contains Item(s)	Remarks
1	1127 140 1903	Carburetor box cover	1	2	
2	1123 141 2301	Twist lock	1		
3	1127 140 1900	Carburetor box cover Up to Serial Number: 156601767	1	4	
4	1123 141 2300	Twist lock Up to Serial Number: 156601767	1		
5	1117 141 1800	Sleeve	1		
6	1128 121 8600	Washer	1		
7	1127 120 0650	Carburetor HD-19D	1		
8	1127 120 0605	Carburetor HD-21D	1		
9	1127 121 7000	Baffle	1		
10	1127 120 1620	Air filter	1	12	
11	1127 120 1621	Air filter, fleece	1	12	
12	1124 141 8300	Slotted nut	2		
13	1124 121 9100	Bushing	1		
14	9210 260 0700	Hexagon nut M5	2		

# Carburetor HD-19



1127-GET-0006-A0

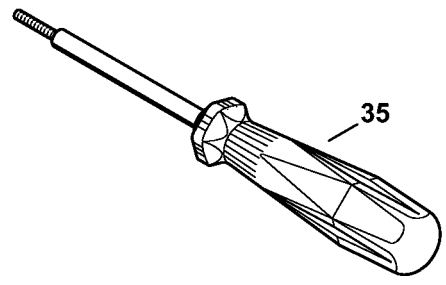
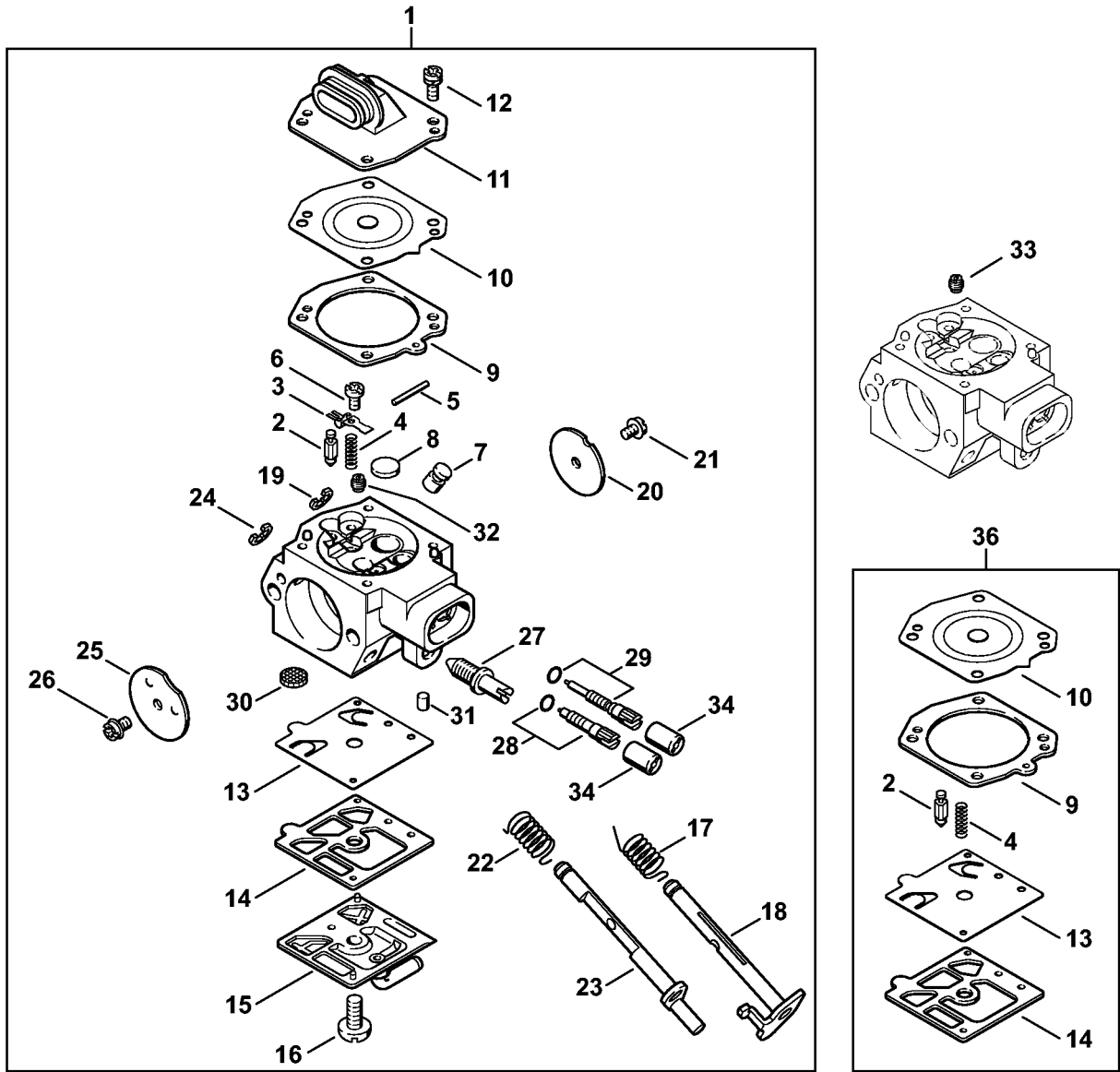
# Carburetor HD-19

#	Part Number	Description	Quantity	Contains Item(s)	Remarks
1	1127 120 0650	Carburetor HD-19D	1	2 - 33	
2	4116 121 5100	Inlet needle	1		
3	4116 121 5000	Inlet control lever	1		
4	4116 122 3002	Spring	1		
5	1113 121 9200	Spindle	1		
6	1114 122 7400	Round head screw	1		
7	1128 121 5403	Valve jet	1		
8	4117 122 9402	Plug	1		
9	1128 129 0906	Gasket	1		
10	4116 121 4700	Metering diaphragm	1		
11	1128 121 0801	End cover	1		
12	1121 122 7101	Screw	4		
13	4116 121 4800	Pump diaphragm	1		
14	4116 129 0902	Gasket	1		
15	1127 121 0800	End cover	1		
16	1114 122 7100	Screw	1		
17	1127 122 3200	Torsion spring	1		
18	1127 120 7100	Throttle shaft with lever	1		
19	1117 122 9000	E-clip	1		
20	1127 121 3301	Throttle shutter	1		
21	1115 122 7400	Round head screw	1		
22	1127 122 3205	Torsion spring	1		
23	1127 120 7200	Choke shaft with lever	1		
24	1123 122 9000	E-clip	1		
25	1122 121 2900	Choke shutter	1		
26	1110 122 7400	Round head screw	1		
27	1127 122 6201	Idle speed screw	1		

# Carburetor HD-19

#	Part Number	Description	Quantity	Contains Item(s)	Remarks
28	1128 122 3003	Spring	2		
29	1127 122 6701	High speed screw	1		
30	1128 122 6803	Low speed screw	1		
31	1114 121 7800	Strainer	1		
32	1122 121 7700	Clamp	1		
33	1127 121 5602	Fixed jet 0.58	1		
34	1130 121 5600	Fixed jet 0.54	1		High altitude
35	1127 007 1062	Set of carburetor parts	1	2, 4, 9, 10, 13, 14	

# Carburetor HD-21



1127-GET-0005-A0

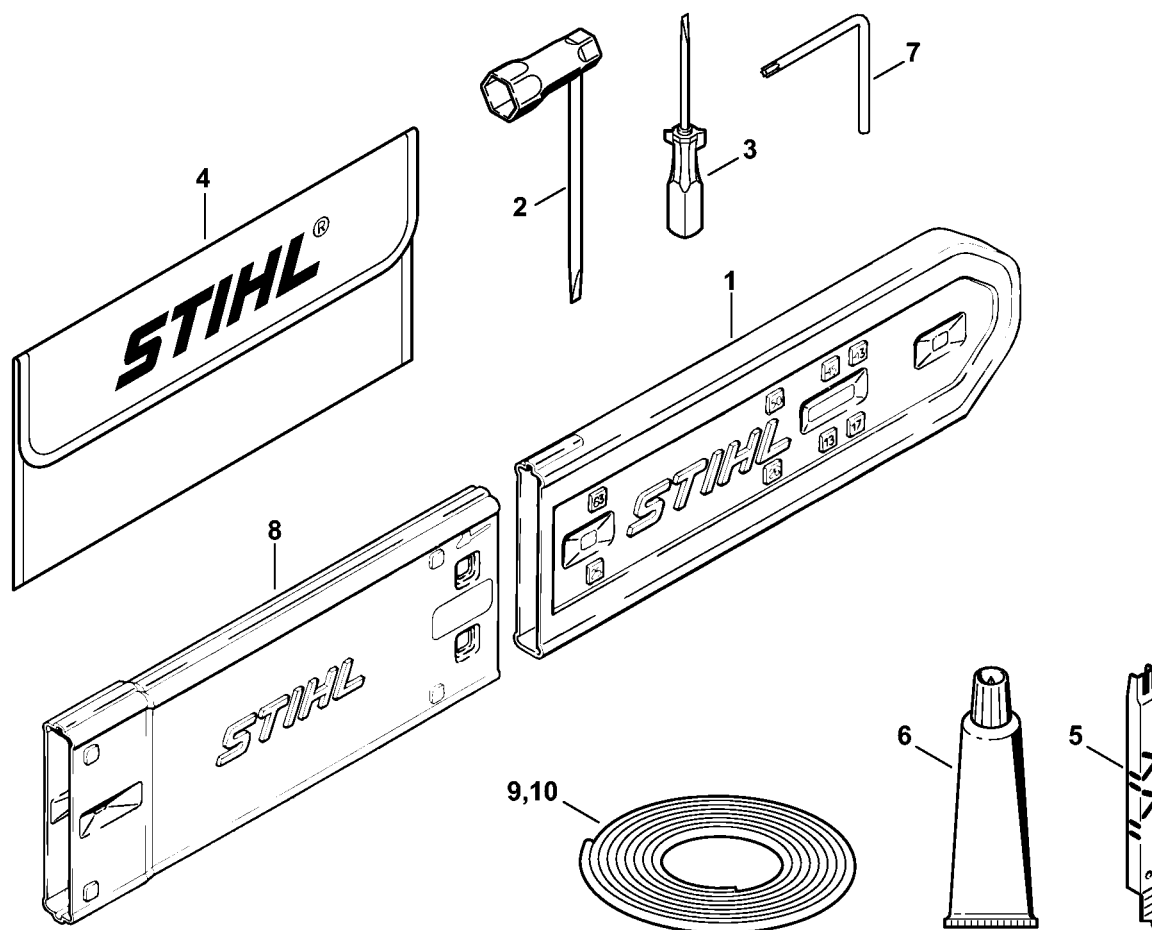


# Carburetor HD-21

#	Part Number	Description	Quantity	Contains Item(s)	Remarks
1	1127 120 0605	Carburetor HD-21D	1	2 - 32, 34	
2	4116 121 5100	Inlet needle	1		
3	4116 121 5000	Inlet control lever	1		
4	4116 122 3002	Spring	1		
5	1113 121 9200	Spindle	1		
6	1114 122 7400	Round head screw	1		
7	1128 121 5403	Valve jet	1		
8	4117 122 9402	Plug	1		
9	1128 129 0906	Gasket	1		
10	4116 121 4700	Metering diaphragm	1		
11	1128 121 0801	End cover	1		
12	1121 122 7101	Screw	4		
13	4116 121 4800	Pump diaphragm	1		
14	4116 129 0902	Gasket	1		
15	1127 121 0800	End cover	1		
16	1114 122 7100	Screw	1		
17	1127 122 3200	Torsion spring	1		
18	1127 120 7100	Throttle shaft with lever	1		
19	1117 122 9000	E-clip	1		
20	1127 121 3301	Throttle shutter	1		
21	1115 122 7400	Round head screw	1		
22	1127 122 3205	Torsion spring	1		
23	1127 120 7200	Choke shaft with lever	1		
24	1123 122 9000	E-clip	1		
25	1122 121 2900	Choke shutter	1		
26	1110 122 7400	Round head screw	1		
27	1127 122 6201	Idle speed screw	1		

# Carburetor HD-21

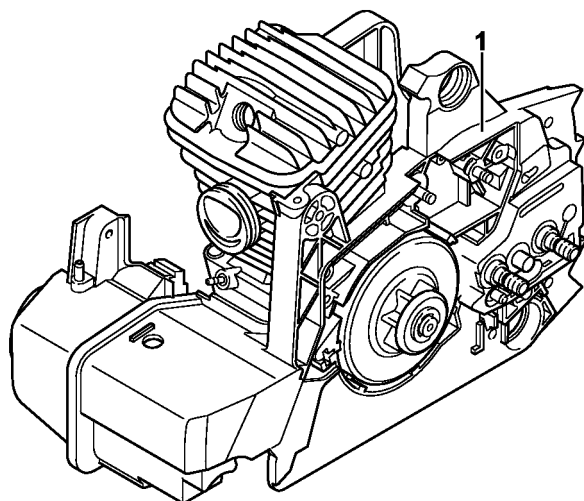
#	Part Number	Description	Quantity	Contains Item(s)	Remarks
28	1128 122 6703	High speed screw	1		
29	1127 122 6800	Low speed screw	1		
30	1114 121 7800	Strainer	1		
31	1122 121 7700	Clamp	1		
32	1127 121 5602	Fixed jet 0.58	1		
33	1130 121 5600	Fixed jet 0.54	1		High altitude
34	4203 121 2700	Cap	2		
35	5910 890 4500	Puller	1		
36	1127 007 1062	Set of carburetor parts	1	2, 4, 9, 10, 13, 14	



1127-GET-0038-A0

# Tools, Extras

#	Part Number	Description	Quantity	Contains Item(s)	Remarks
1	0000 792 9129	Chain scabbard	1		
2	1129 890 3401	Combination wrench	1		
3	0000 890 2300	Screwdriver	1		
4	0000 891 0810	Tool roll	1		
5	1110 893 4000	Filing gauge	1		
6	0783 830 2000	Tube of sealant HT red	1		
7	0812 370 1000	Screwdriver T27x120x70	1		
8	0000 792 9132	Chain scabbard extension up to 63 cm	1		
9	0751 010 1110	Cable 10 m	1		
10	0000 930 2251	Ignition lead 10 m	1		

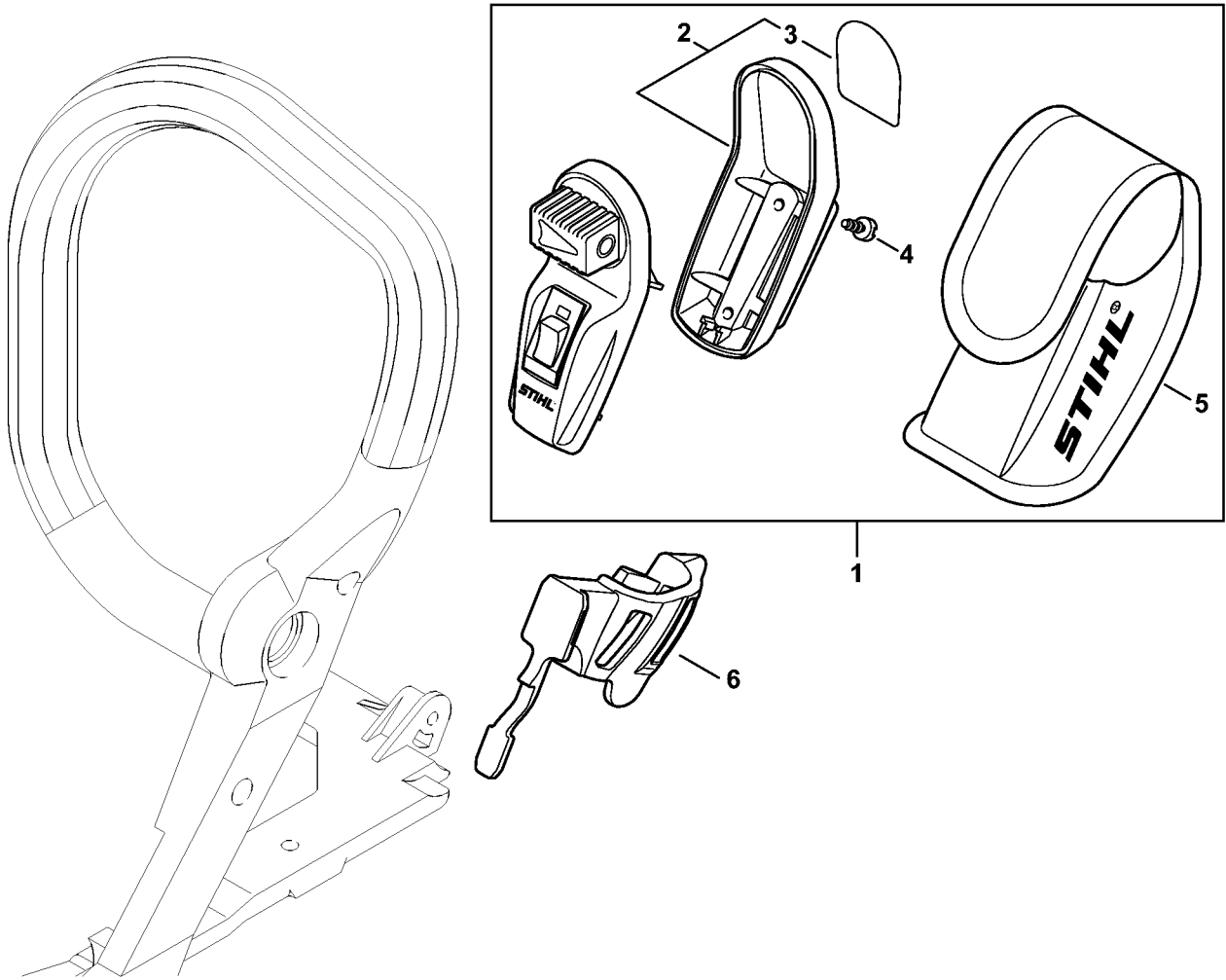


209ET030 SC

# Serial number

#	Part Number	Description	Quantity	Contains Item(s)	Remarks
1		Position of serial number	1		

# 2-in-1 laser



1127-GET-0004-A0

## 2-in-1 laser

#	Part Number	Description	Quantity	Contains Item(s)	Remarks
1	0000 400 0200	Laser	1	2 - 5	
2	0000 430 9900	Handle molding, bottom	1	3	
3	0000 967 7307	Warning pictogram	1		
4	9074 478 2967	Pan head self-tapping screw IS-P4x10	2		
5	0000 491 0100	Bag	1		
6	1127 791 5400	Support	1		



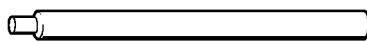
# Installing tool



901SW009 GM

# Installing tool

#	Part Number	Description	Quantity	Contains Item(s)	Remarks
	0000 890 2201	Installing tool	1		
	9210 319 0900	Hexagon nut M6	1		



901SW036 GM

# Assembly drift

#	Part Number	Description	Quantity	Contains Item(s)	Remarks
	1110 893 4700	Assembly drift	1		

# Sealing plate

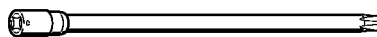


901 SW078 GM

# Sealing plate

#	Part Number	Description	Quantity	Contains Item(s)	Remarks
	0000 855 8106	Sealing plate	1		

# Socket, T27x125



901SW091 GM

# Socket, T27x125

#	Part Number	Description	Quantity	Contains Item(s)	Remarks
	0812 542 2104	Driver bit, 1/4" square drive, T27x125	1		



# Assembly tube



901SW112 GM

# Assembly tube

#	Part Number	Description	Quantity	Contains Item(s)	Remarks
	1117 890 0900	Assembly tube	1		

# Installing sleeve

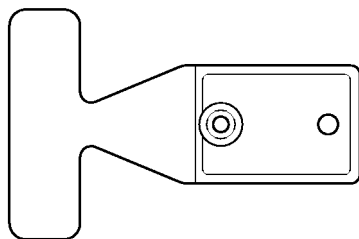


901SW133 GM

# Installing sleeve

#	Part Number	Description	Quantity	Contains Item(s)	Remarks
	1122 893 4600	Installing sleeve	1		

# Setting gauge

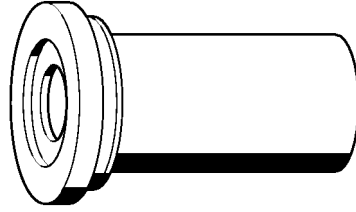


901 SW138 GM

# Setting gauge

#	Part Number	Description	Quantity	Contains Item(s)	Remarks
	1127 890 6400	Setting gauge	1		

# Press sleeve



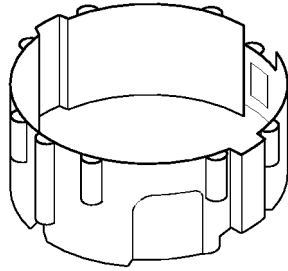
901 SW139 GM

# Press sleeve

#	Part Number	Description	Quantity	Contains Item(s)	Remarks
	1127 893 2400	Press sleeve	1		



# Clamping strap

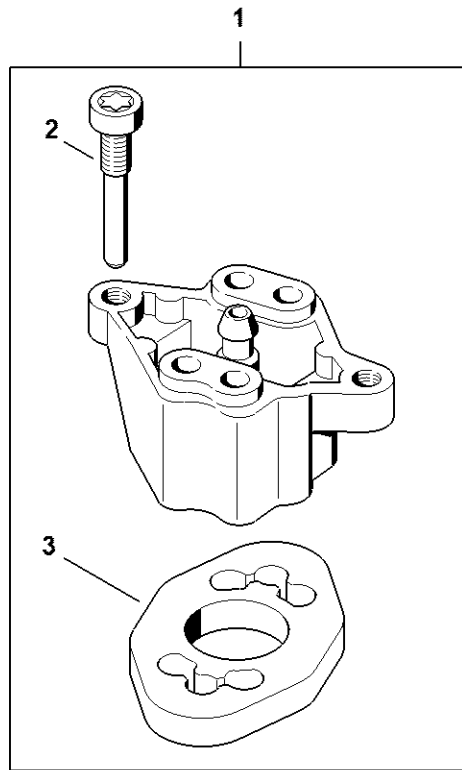


901 SW140 GM

# Clamping strap

#	Part Number	Description	Quantity	Contains Item(s)	Remarks
	1127 893 2602	Clamping strap	1		

# Flange

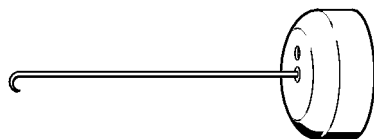


5910-GET-0183-A1

# Flange

#	Part Number	Description	Quantity	Contains Item(s)	Remarks
1	5910 850 4207	Flange	1	2, 3	
2	1128 855 9000	Screw M5x30	1		
3	5910 851 9901	Gasket	1		

# Assembly hook

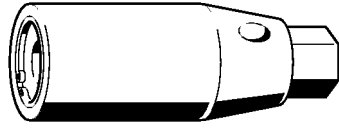


901SW205 GM

# Assembly hook

#	Part Number	Description	Quantity	Contains Item(s)	Remarks
	5910 890 2800	Assembly hook	1		

# Stud puller, M8



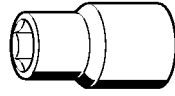
901SW209 GM

# Stud puller, M8

#	Part Number	Description	Quantity	Contains Item(s)	Remarks
	5910 893 0501	Stud puller, M8	1		



# Socket, 13 mm

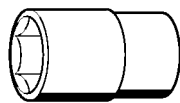


901SW217 GM

# Socket, 13 mm

#	Part Number	Description	Quantity	Contains Item(s)	Remarks
	5910 893 5608	Socket, 13 mm	1		

# Socket, 19 mm

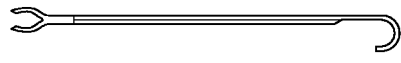


901SW219 GM

# Socket, 19 mm

#	Part Number	Description	Quantity	Contains Item(s)	Remarks
	5910 893 5612	Socket, 19 mm	1		

# Assembly hook

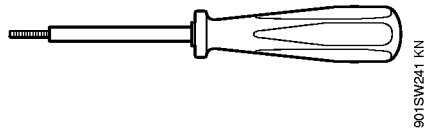


901SW221 GM

# Assembly hook

#	Part Number	Description	Quantity	Contains Item(s)	Remarks
	5910 893 8800	Assembly hook	1		

# Puller



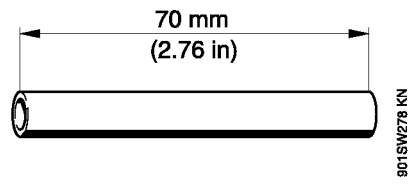
901SW241 KN

# Puller

#	Part Number	Description	Quantity	Contains Item(s)	Remarks
	5910 890 4500	Puller	1		



# Sleeve



# Sleeve

#	Part Number	Description	Quantity	Contains Item(s)	Remarks
	1127 851 8300	Sleeve	1		

# Locking strip

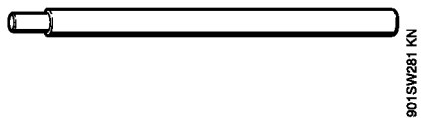


5910-GET-0125-A0

# Locking strip

#	Part Number	Description	Quantity	Contains Item(s)	Remarks
1	0000 893 5903	Locking strip	1		

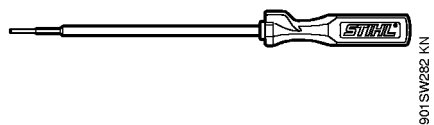
# Assembly drift



# Assembly drift

#	Part Number	Description	Quantity	Contains Item(s)	Remarks
	4237 893 4700	Assembly drift	1		

# Screwdriver

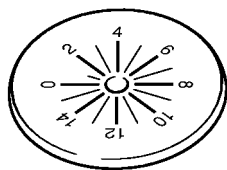


# Screwdriver

#	Part Number	Description	Quantity	Contains Item(s)	Remarks
	5910 890 2304	Screwdriver	1		



# Setting disk

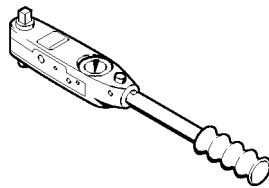


901SW287 KN

# Setting disk

#	Part Number	Description	Quantity	Contains Item(s)	Remarks
	5910 893 6600	Setting disk	1		

# Torque wrench with optical/acoustic signal

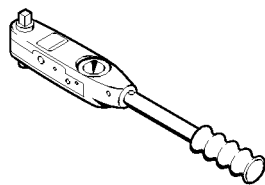


901SW290 KN

# Torque wrench with optical/acoustic signal

#	Part Number	Description	Quantity	Contains Item(s)	Remarks
	5910 890 0312	Torque wrench with optical/acoustic signal	1		

# Torque wrench

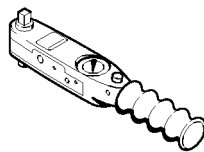


901SW291 KN

# Torque wrench

#	Part Number	Description	Quantity	Contains Item(s)	Remarks
	5910 890 0311	Torque wrench	1		

# Torque wrench with optical/acoustic signal



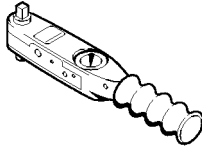
901SW292 KN

# Torque wrench with optical/acoustic signal

#	Part Number	Description	Quantity	Contains Item(s)	Remarks
		Torque wrench	1		



# Torque wrench

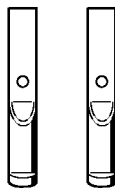


901SW293 KN

# Torque wrench

#	Part Number	Description	Quantity	Contains Item(s)	Remarks
	5910 890 0301	Torque wrench	1		

# Jaw (profile No. 6)

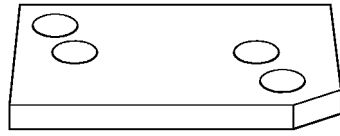


901 SW933 CIM

## Jaw (profile No. 6)

#	Part Number	Description	Quantity	Contains Item(s)	Remarks
	0000 893 3711	Jaw (profile No. 6)	1		

# Flange

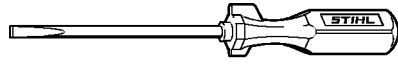


901SW356 CIM

# Flange

#	Part Number	Description	Quantity	Contains Item(s)	Remarks
	1123 855 4200	Flange	1		

# Screwdriver



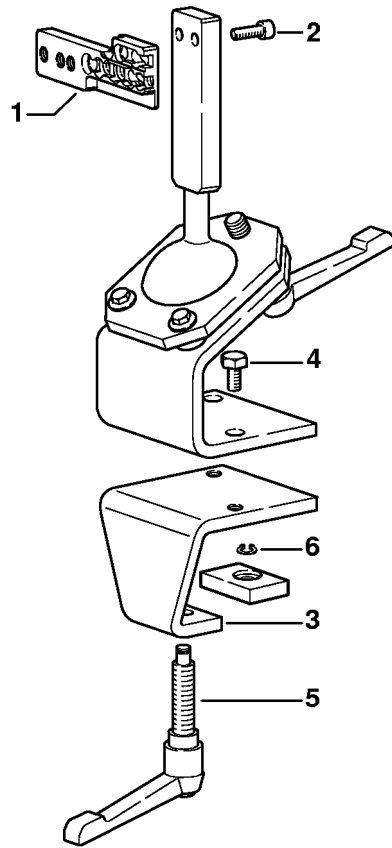
901 SW858 CM

# Screwdriver

#	Part Number	Description	Quantity	Contains Item(s)	Remarks
	0000 890 2300	Screwdriver	1		



# Assembly stand

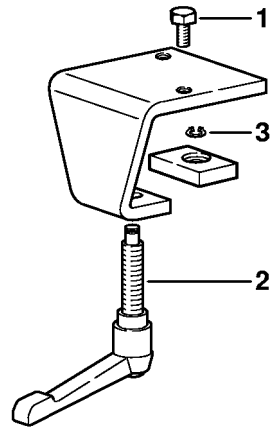


9015W363 SC

# Assembly stand

#	Part Number	Description	Quantity	Contains Item(s)	Remarks
	5910 890 3101	Assembly stand	1	1 - 6	
1	5910 850 1651	Support	1		
2	9045 319 2390	Socket head screw M10x25	2		
3	5910 850 2100	Clamping plate	1	4 - 6	
4	9008 319 2930	Hexagon head screw M12x20	2		
5	5910 890 1901	Clamp lever	1		
6	9455 621 0850	Circlip 10x1	1		

# Clamping plate

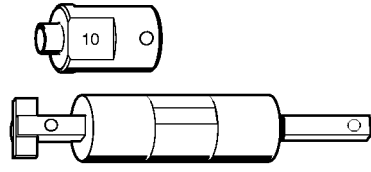


901SW664 SC

# Clamping plate

#	Part Number	Description	Quantity	Contains Item(s)	Remarks
	5910 850 2100	Clamping plate	1	1 - 3	
<b>1</b>	9008 319 2930	Hexagon head screw M12x20	2		
<b>2</b>	5910 890 1901	Clamp lever	1		
<b>3</b>	9455 621 0850	Circlip 10x1	1		

# Installing tool, 10

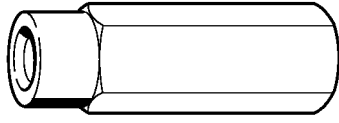


901SW666 KN

# Installing tool, 10

#	Part Number	Description	Quantity	Contains Item(s)	Remarks
	5910 890 2210	Installing tool, 10	1		
	5910 893 1707	Sleeve	1		

# Puller



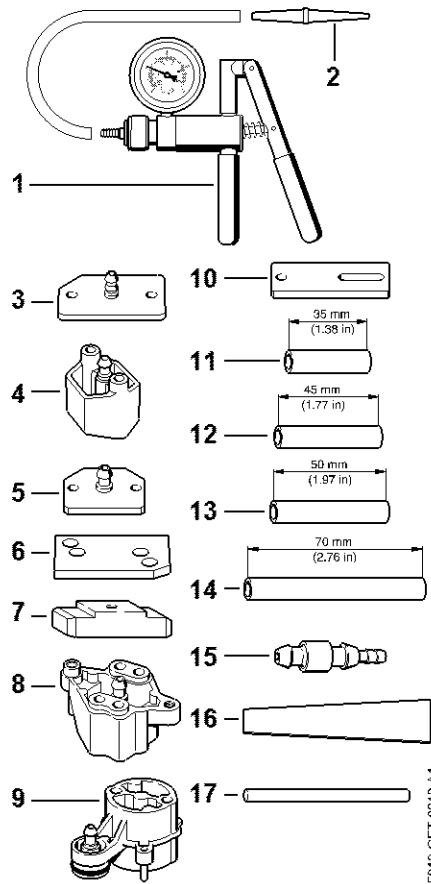
9015W385 KN

# Puller

#	Part Number	Description	Quantity	Contains Item(s)	Remarks
	5910 893 0801	Puller	1		

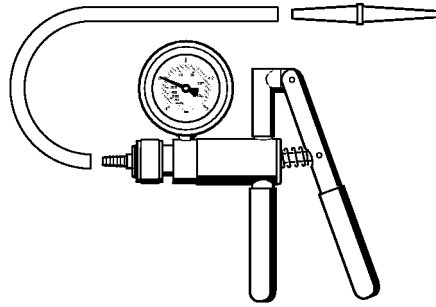


# Testing tool kit



# Testing tool kit

#	Part Number	Description	Quantity	Contains Item(s)	Remarks
	0000 890 1701	Testing tool kit	1	1 - 17	
<b>1</b>	0000 850 1300	Pump	1	2	
<b>2</b>	0000 855 9201	Nipple	1		
<b>3</b>	1106 850 4201	Flange	1		
<b>4</b>	1118 850 4200	Flange	1		
<b>5</b>	1119 850 4201	Test flange	1		
<b>6</b>	1123 855 4200	Flange	1		
<b>7</b>	1124 850 4205	Flange	1		
<b>8</b>	5910 850 4207	Flange	1		
<b>9</b>	4224 890 1200	Flange	1		
<b>10</b>	5910 855 4206	Flange	1		
<b>11</b>	5910 893 1702	Sleeve	2		
<b>12</b>	1123 851 8300	Sleeve	2		
<b>13</b>	1124 893 7100	Sleeve	2		
<b>14</b>	1127 851 8300	Sleeve	2		
<b>15</b>	0000 855 9200	Nipple	1		
<b>16</b>	0000 855 8106	Sealing plate	1		
<b>17</b>	1110 141 8600	Hose 135 mm / 5 5/16"	1		

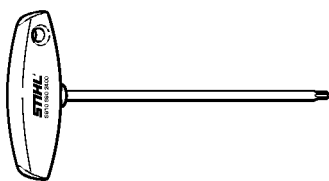


901SW486 GM

# Pump

#	Part Number	Description	Quantity	Contains Item(s)	Remarks
	0000 850 1300	Pump	1		
	0000 855 9201	Nipple	1		
	0000 855 0100	Hose	1		

# Screwdriver, T27x150



901SW575 KN

# Screwdriver, T27x150

#	Part Number	Description	Quantity	Contains Item(s)	Remarks
	5910 890 2400	Screwdriver, T27x150	1		