

MS 260

Spare Parts List

02/08/2023

Indonesia, English

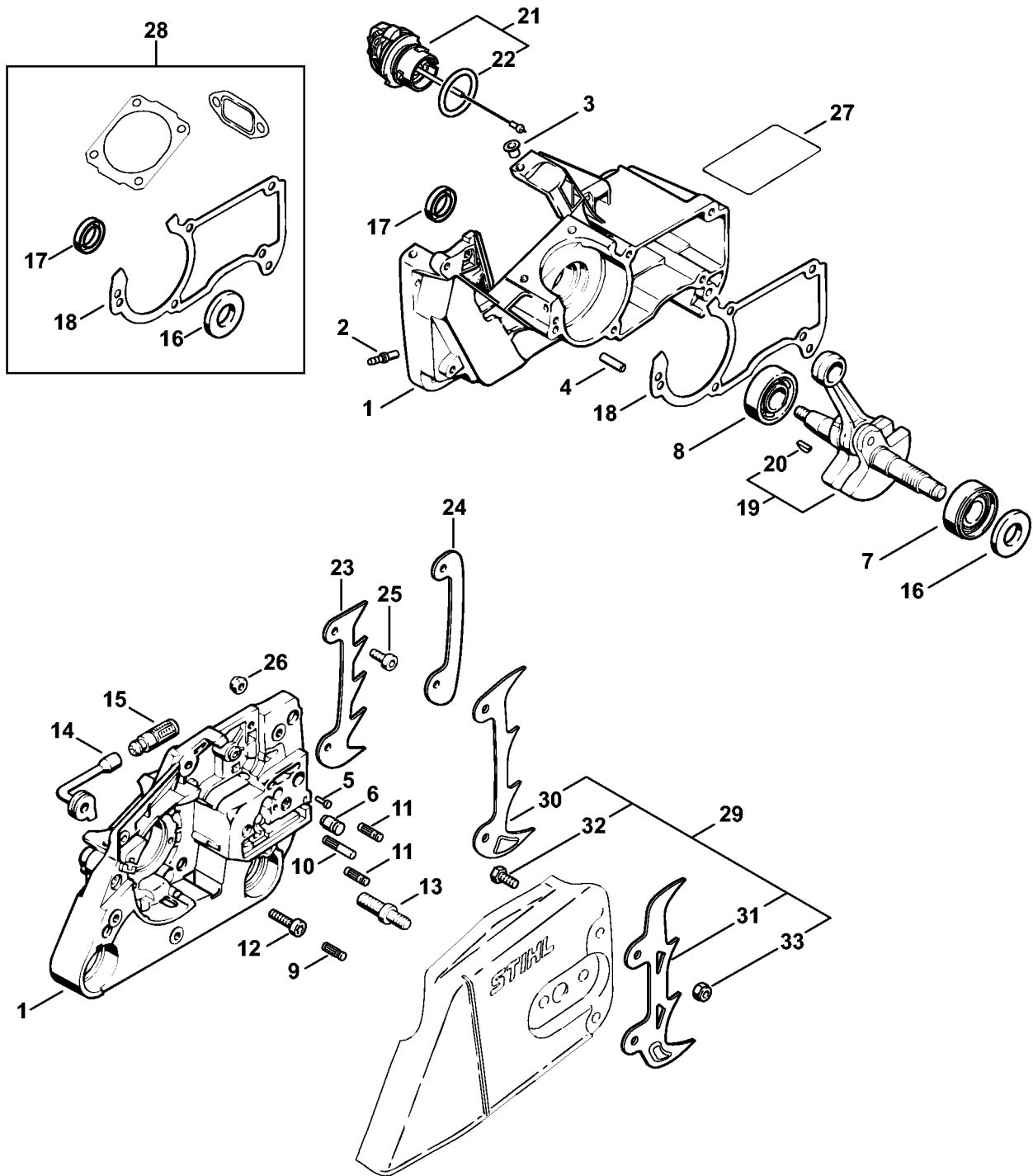
Contents

Crankcase	3	Press arbor	62
Cylinder, Muffler	6	Press sleeve	64
Oil pump	9	Press arbor	66
Clutch, Chain sprocket	11	Screwdriver	68
Chain brake	13	Socket, S19x12.5L	70
Ignition system	15	Sealing plate	72
Rewind starter	17	Pliers A19	74
Tank housing	19	Socket, T27x125	76
AV system, Handlebar	21	Hose 135 mm / 5 5/16"	78
Air filter, Throttle control	23	Setting gauge	80
Carburetor WTE-1, WTE-2, WTE-4, WTE-11	25	Assembly tube	82
Carburetor WT-426 # 1 62 154 675, 2 62 187 361 (07.2004)	28	Press sleeve	84
Carburetor WT-427, WT-581, WT-590 # 1 62 154 675, 2 62 187 361 (07.2004)	31	Flange	86
Shroud, Carburetor box cover	34	Assembly hook	88
Tools, Extras	36	Stud puller, M8	90
Serial number	38	Socket, 13 mm	92
2-in-1 laser	40	Assembly hook	94
Miscellaneous lubricants and greases	42	Ignition system tester, ZAT 3	96
Cleaning products	44	Ignition system tester, ZAT 4	98
Nipple	46	Socket, 13 mm, long reach	100
Installing tool	48	Locking strip	102
Clamping strap	50	Screwdriver	104
Puller	52	Setting disk	106
Wooden assembly block	54	Torque wrench with optical/acoustic signal	108
Assembly drift	56	Torque wrench	110
Centering tool	58	Torque wrench with optical/acoustic signal	112
Installing sleeve	60	Torque wrench	114
		Jaw (profile No. 3.1 and 4)	116
		Jaw (profile No. 6)	118

Contents

Drilled plate	120
Screw sleeve	122
Screw sleeve	124
Plug	126
Assembly stand	128
Clamping plate	130
Installing tool, 10	132
Drilled plate	134
Puller	136
Nipple	138
Testing tool kit	140
Pump	142
Stud puller, M8-7,5	144
Service tool AS	146
Screwdriver, T27x150	148
Setting gauge	150
Installing tool AS	152
Installing tool LS	154

Crankcase



1121-GET-0003-A0

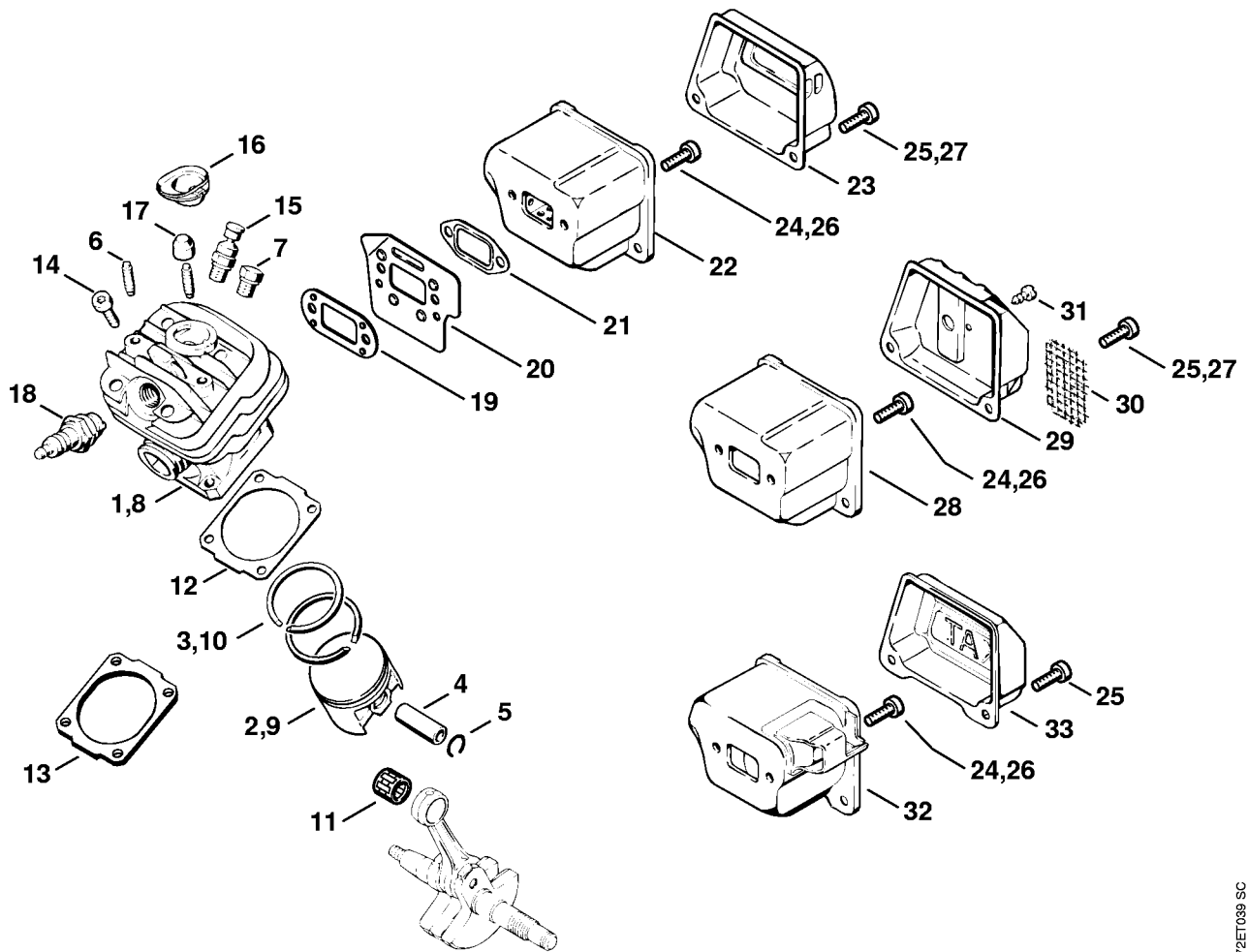
Crankcase

#	Part Number	Description	Quantity	Contains Item(s)	Remarks
1	1121 020 2125	Crankcase	1	2 - 11	
2	0000 988 5211	Connector	1		
3	9416 868 6531	Hollow rivet 6.5x0.5x6.8	2		
4	9371 470 2610	Cylindrical pin 5x18	2		
5	0000 974 1200	Notched pin 2.6x8	1		
6	1128 640 9100	Valve	1		
7	9523 003 4260	Grooved ball bearing 15x35x13	1		
8	9503 003 0320	Grooved ball bearing 16002	1		
9	1120 162 5200	Pin	1		
10	1121 162 5205	Pin	1		
11	1121 162 5200	Pin	2		
12	9022 371 1020	Spline screw IS-M5x20	5		
13	0000 953 6605	Collar screw M8	2		
14	1122 647 9400	Hose	1		
15	1117 640 3800	Pickup body	1		
16	9640 003 1600	Oil seal 15x29.6x4	1		
17	9640 003 1190	Oil seal 12x20x5	1		
18	1121 029 0500	Gasket	1		
19	1121 030 0405	Crankshaft	1	20	
20	1120 036 8500	Woodruff key 2x3.7	1		
21	0000 350 0537	Oil filler cap	1	22	
22	9645 948 2470	O-ring 23x3	1		
23	1110 664 0501	Bumper spike	1		
24	0000 664 0700	Limit stop	1		
25	9022 341 0960	Spline screw IS-M5x12	2		
26	9214 320 0700	Lock nut M5	1		
28	1121 007 1050	Set of gaskets	1	16 - 18	

Crankcase

#	Part Number	Description	Quantity	Contains Item(s)	Remarks
29	0000 660 0800	Bumper spike	1	30 - 33	
30	1142 664 0500	Bumper spike	1		
31	1141 664 0501	Bumper spike	1		
32	9008 345 0960	Hexagon head screw M5x12	2		
33	9214 320 0700	Lock nut M5	2		

Cylinder, Muffler



172ET039 SC

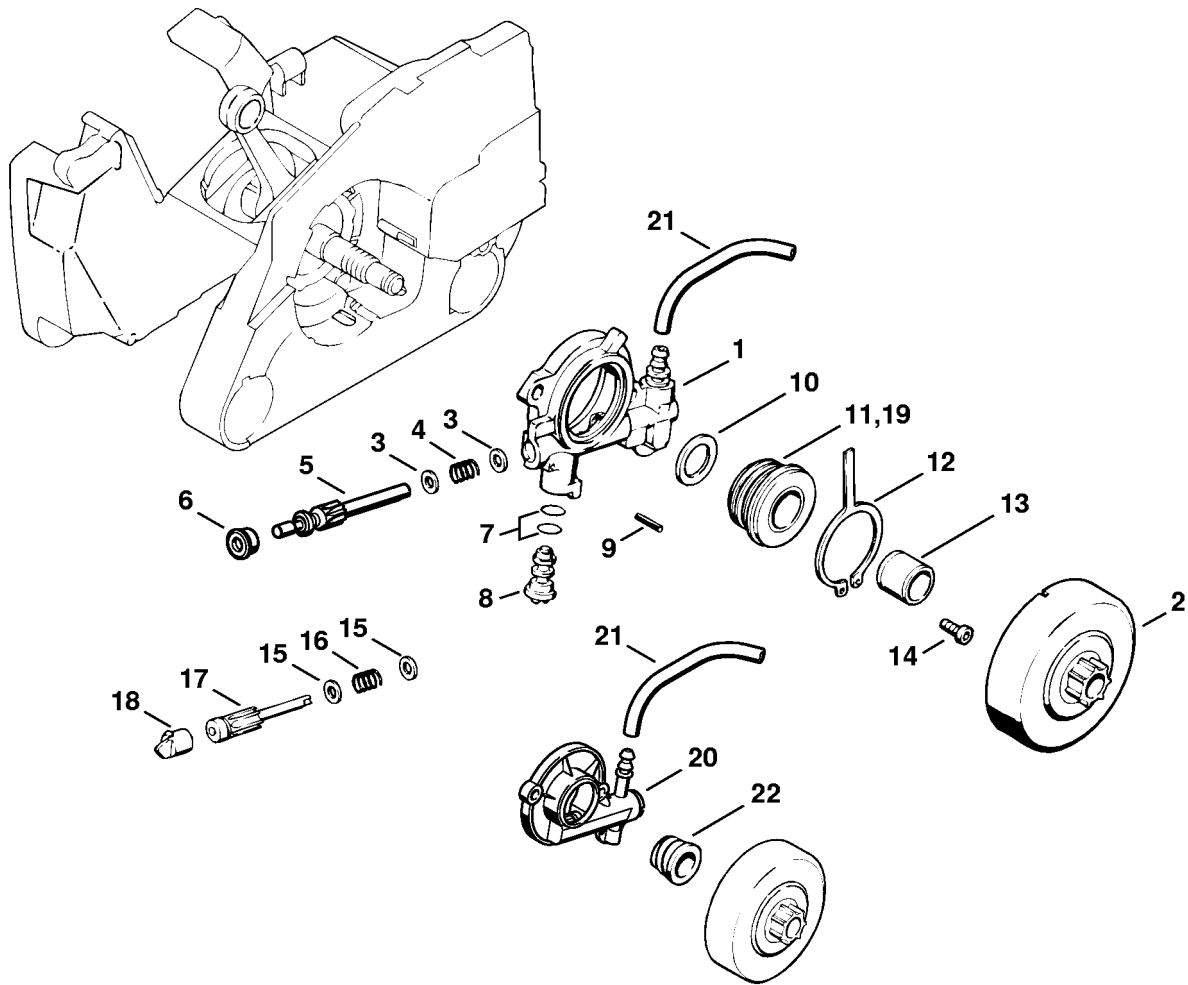
Cylinder, Muffler

#	Part Number	Description	Quantity	Contains Item(s)	Remarks
1	1121 020 1217	Cylinder with piston Ø 44.7 mm	1	2 - 7	
2	1121 030 2003	Piston Ø 44.7 mm	1	3 - 5	
3	1121 034 3002	Piston ring Ø 44.7x1.2 mm	2		
4	1121 034 1505	Piston pin 10x6x30	1		
5	9463 650 1000	Snap ring 10	2		
6	0000 953 0818	Stud M5	2		
7	1122 025 2200	Plug	1		
8	1121 020 1203	Cylinder with piston Ø 44 mm Up to Serial Number: 162154675	1	4 - 7, 9, 10	
9	1121 030 2001	Piston Ø 44 mm Up to Serial Number: 162154675	1	4, 5, 10	
10	1121 034 3010	Piston ring Ø 44x1.2 mm Up to Serial Number: 162154675	2		
11	9512 003 2252	Needle cage 10x13x12.5	1		
12	1118 029 2306	Cylinder gasket 0.5 mm	1		
14	9022 371 1020	Spline screw IS-M5x20	4		
15	1128 020 9400	Decompression valve	1		
16	1122 084 1405	Cover	1		
18	1110 400 7005	Spark plug Bosch WSR 6 F	1		
18	0000 400 7000	Spark plug NGK BPMR7A	1		
20	1121 141 3200	Cooling plate Above Serial Number: 162154676	1		
21	1118 149 0600	Muffler gasket	1		
22	1121 140 0604	Muffler	1	23	
23	1121 145 0802	Exhaust casing	1		
24	9022 341 0980	Spline screw IS-M5x16	2		
25	9022 341 0980	Spline screw IS-M5x16	2		
26	9022 341 0960	Spline screw IS-M5x12 Up to Serial Number: 162154675	2		

Cylinder, Muffler

#	Part Number	Description	Quantity	Contains Item(s)	Remarks
27	9022 341 0960	Spline screw IS-M5x12 Up to Serial Number: 162154675	2		
	1121 007 1042	Mounting kit catalytic converter	1	21, 24, 32, 33	
	1121 007 1050	Set of gaskets	1	12, 21	

Oil pump

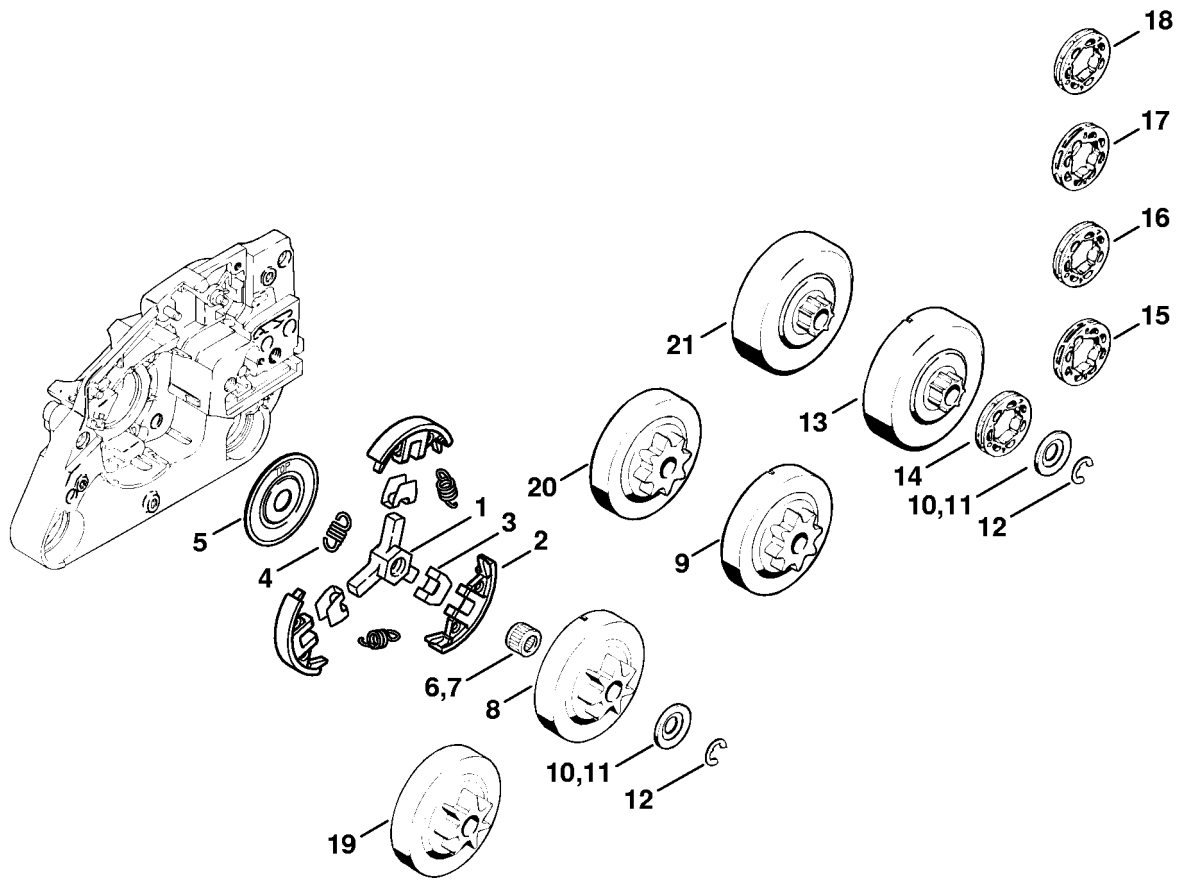


172ET036 SC

Oil pump

#	Part Number	Description	Quantity	Contains Item(s)	Remarks
	1121 007 1043	Conversion kit oil pump, adjustable	1	1 - 13	
1	1121 640 3203	Oil pump adjustable	1	3 - 9	
2		Clutch drum	1		
3	0000 958 0408	Washer	2		
4	0000 997 2002	Compression spring	1		
5	1121 647 0603	Pump piston	1		
6	1121 641 9400	Bearing bushing	1		
7	9646 945 0160	O-ring 4x2	2		
8	1128 647 4806	Control bolt	1		
9	9380 620 1090	Roll pin 2x10	1		
10	0000 958 1234	Washer	1		
11	1121 640 7111	Worm	1	12	
12	1121 647 3100	Carrier	1		
13	0000 993 0508	Ring 12x15x12	1		
14	9022 313 0660	Spline screw IS-M4x12	2		
15	0000 958 0407	Washer Up to Serial Number: 162530902	2		
16	0000 997 0504	Compression spring Up to Serial Number: 162530902	1		
17	1121 647 0601	Pump piston Up to Serial Number: 162530902	1		
18	1121 647 7002	Plug Up to Serial Number: 162530902	1		
19	1121 640 7110	Worm Up to Serial Number: 162530902	1	12	
21	1121 640 9400	Hose 75 mm / 3"	1		

Clutch, Chain sprocket

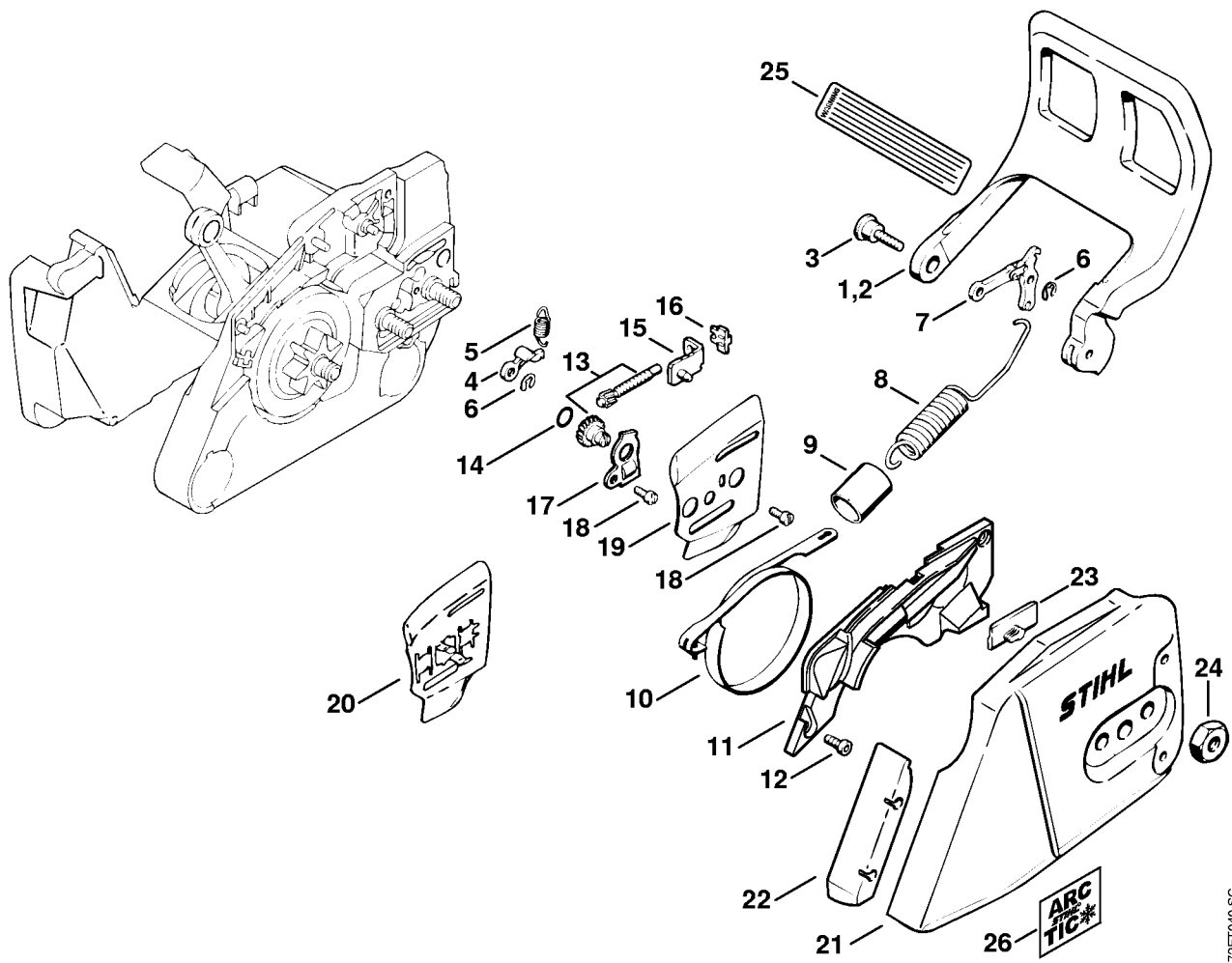


172ET038 SC

Clutch, Chain sprocket

#	Part Number	Description	Quantity	Contains Item(s)	Remarks
	1121 160 2051	Clutch	1	1 - 5	
1	1121 162 3201	Carrier	1		
2	1121 162 0802	Clutch shoe	3		
3	1127 162 3000	Retainer	3		
4	0000 997 5600	Tension spring	3		
5	1121 162 1001	Cover washer	1		
7	9512 933 2260	Needle cage 10x13x10	1		
8	1121 640 2004	Chain sprocket 0.325" 7T	1		
9	1121 640 2005	Chain sprocket 0.325" 8T	1		
11	0000 958 1022	Washer Ø 27 mm	1		
12	9460 624 0801	E-clip 8x1.3	1		
	1121 007 1037	Rim sprocket kit 0.325" 7T	1	11 - 14	
13		Clutch drum	1		
14	0000 642 1236	Rim sprocket 0.325" 7T	1		
	1121 007 1038	Rim sprocket kit 0.325" 8T	1	11 - 13, 15	
15	0000 642 1234	Rim sprocket 0.325" 8T	1		
	1121 007 1039	Rim sprocket kit 3/8" Picco 7T	1	11 - 13, 16	
16	0000 642 1240	Rim sprocket 3/8" Picco 7T	1		
	1121 007 1040	Rim sprocket kit 3/8" Picco 8T	1	11 - 13, 17	
17	0000 642 1241	Rim sprocket 3/8" Picco 8T	1		
	1121 007 1041	Rim sprocket kit 3/8" 7T	1	11 - 13, 18	
19	1121 640 2000	Chain sprocket 0.325" 7T	1		
20	1121 640 2001	Chain sprocket 0.325" 8T	1		
	1121 007 1001	Rim sprocket kit 0.325" 7T	1	11, 12, 14, 21	
	1121 007 1002	Rim sprocket kit 0.325" 8T	1	11, 12, 15, 21	
	1121 007 1035	Rim sprocket kit 3/8" 7T	1	11, 12, 18, 21	

Chain brake

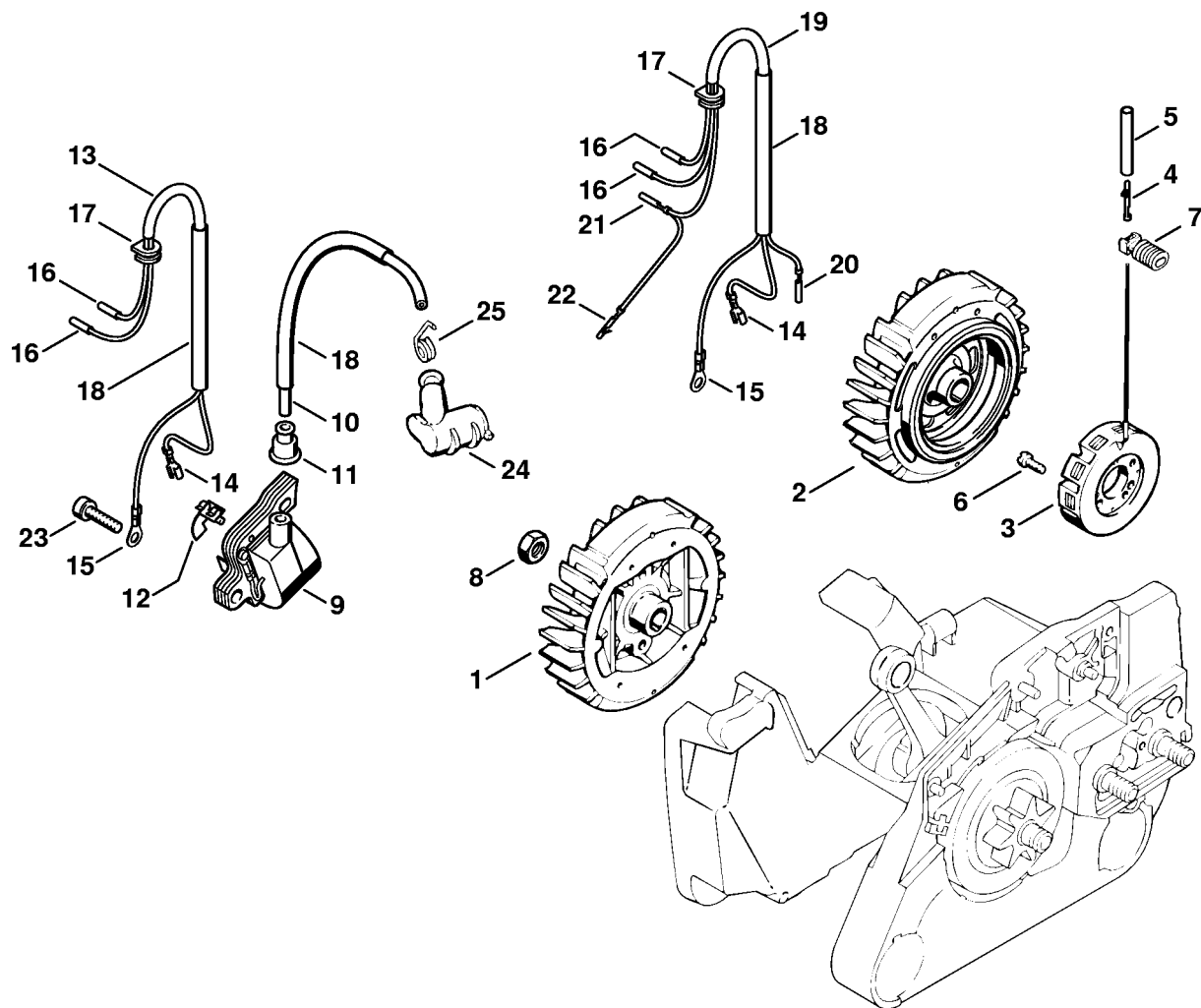


172ET040 SC

Chain brake

#	Part Number	Description	Quantity	Contains Item(s)	Remarks
1	1121 792 9101	Hand guard	1		
3	0000 790 6100	Screw assy. M4	1		
4	1121 162 5010	Lever	1		
5	0000 997 0628	Spring	1		
6	9460 624 0400	E-clip 4	2		
7	1121 160 5000	Lever	1		
8	1121 160 5501	Tension spring	1	9	
9	1121 162 8000	Hose 12x1x20 mm	1		
10	1121 160 5400	Brake band	1		
11	1121 021 1102	Cover	1		
12	9022 313 0660	Spline screw IS-M4x12	2		
13	1125 007 1021	Spur gear / chain adjusting screw kit	1	14	
14	9646 945 0490	O-ring 7x1.5	1		
15	1125 640 1900	Tensioner slide	1		
16	1125 664 1400	Thrust pad	1		
17	1122 664 2200	Cover plate	1		
18	9041 216 0630	Pan head screw M4x8	2		
19	1122 664 1000	Inner side plate 0.5 mm	1		
20	1122 664 1001	Inner side plate	1		
21	1125 640 1701	Chain sprocket cover	1	22, 23	
22	1125 656 1501	Guard	1		
23	1121 648 6610	Bumper strip	2		
24	0000 955 0801	Hexagon nut M8	2		

Ignition system

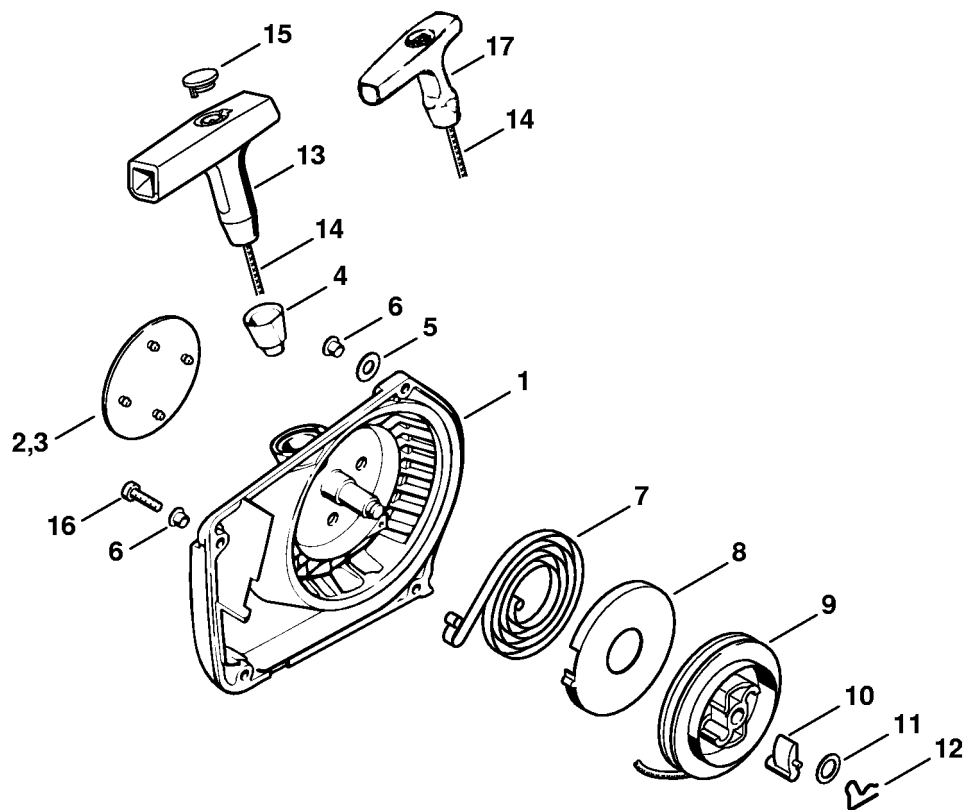


172ET033 SC

Ignition system

#	Part Number	Description	Quantity	Contains Item(s)	Remarks
1	1121 400 1201	Flywheel	1		
8	9210 261 1140	Hexagon nut M8x1	1		
9	0000 400 1300	Ignition module	1	10 - 12	
10		Ignition lead 150 mm	1		
	0000 405 0600	Ignition lead 1 m	1		
	0000 930 2251	Ignition lead 10 m	1		
11	0000 989 1010	Grommet	1		
12	0000 448 1250	Lead retainer	1		
13	1121 440 3002	Wiring harness	1	14 - 18	
14	0751 030 8957	Terminal socket 4.8-1/0.8	1		
15	0751 030 8969	Terminal socket A5-1.5	1		
16	1110 442 7000	Contact sleeve	2		
17	0000 989 0507	Grommet	1		
18	1125 442 0402	Insulating hose 90 mm / 3.5"	1		
23	9022 341 1019	Spline screw IS-M5x20	2		
24	1128 405 1000	Spark plug boot	1		
25	0000 998 0604	Spark plug contact spring	1		

Rewind starter

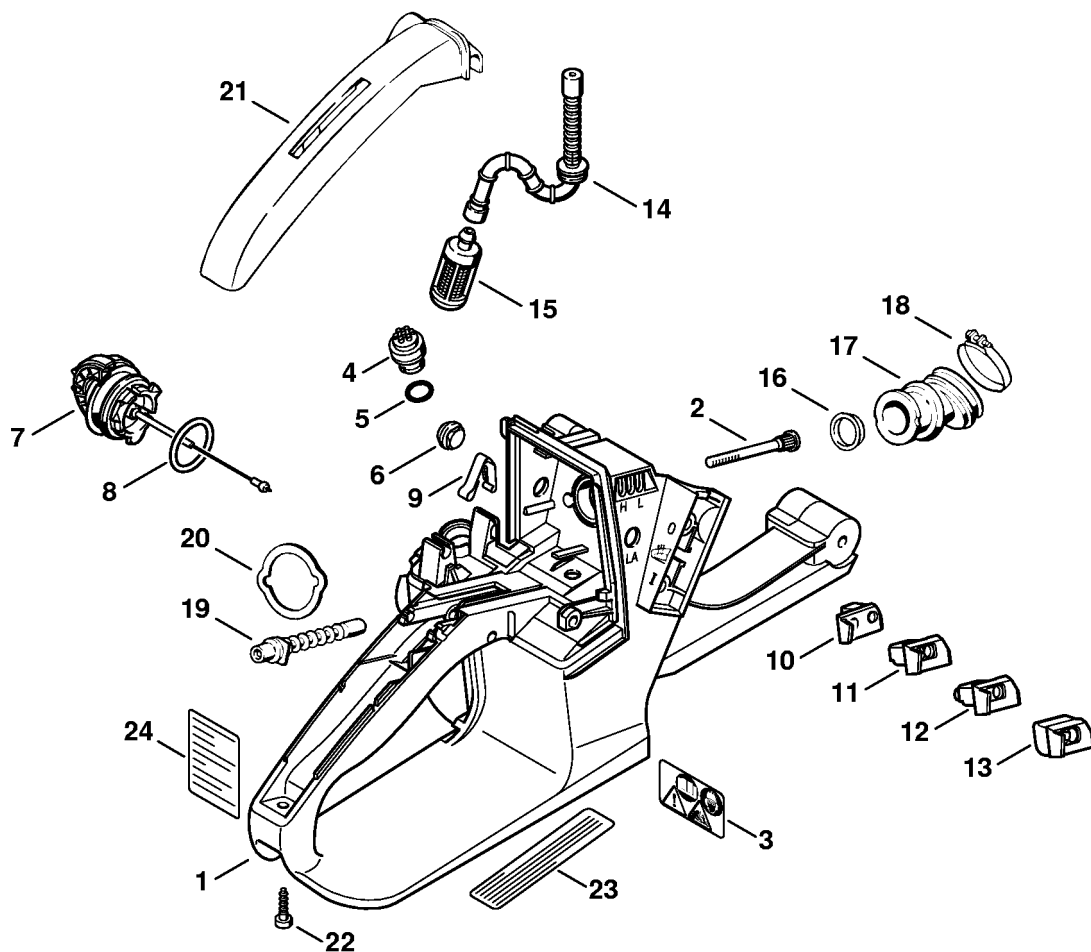


172ET029 SC

Rewind starter

#	Part Number	Description	Quantity	Contains Item(s)	Remarks
	1121 080 2101	Fan housing with rewind starter	1	1 - 15	
1	1121 080 1812	Fan housing	1	2 - 6	
2	1121 967 1507	Model plate MS 260	1		
4	1110 084 9102	Bushing	1		
5	0000 958 0514	Washer	1		
6	9416 868 5630	Hollow rivet 5.5x0.5x6.8	4		
7	1118 190 0600	Rewind spring	1	8	
8	1118 195 0300	Spring housing	1		
9	1125 195 0401	Rope rotor	1		
10	1125 195 7200	Pawl	1		
11	0000 958 0923	Washer	1		
12	1118 195 3500	Spring	1		
13	0000 190 3401	Starter grip ElastoStart Ø 3.5 mm	1	14, 15	
14	1113 195 8200	Starter rope Ø 3.5x960 mm	1		
	0000 930 2203	Starter rope Ø 3.5 mm x 30.5 m	1		
	0000 930 2212	Starter rope Ø 3.5 mm x 60.8 m	1		
15	0000 195 7001	Cap	1		
16	9022 313 0680	Pan head screw IS M4x16	3		

Tank housing

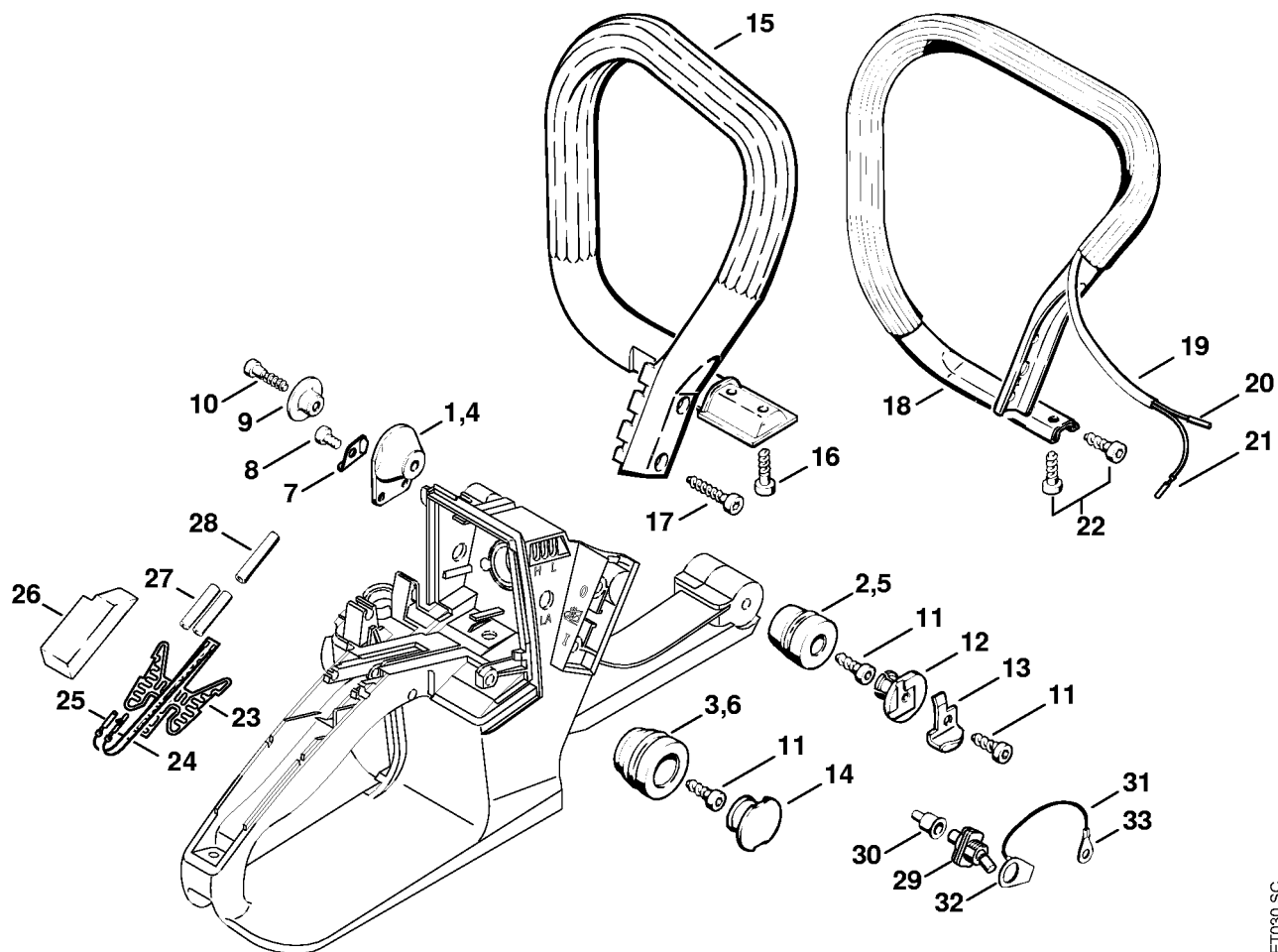


172ET031 SC

Tank housing

#	Part Number	Description	Quantity	Contains Item(s)	Remarks
1	1121 350 0834	Tank housing	1	2 - 9, 11 - 14	
2	1121 122 6600	Collar screw	2		
3	0000 967 7247	Warning pictogram MS	1		
4	0000 350 5800	Tank vent	1	5	
5		O-ring	1		
6	1121 791 2800	Stop buffer	1		
7	0000 350 0533	Filler cap	1	8	
8	9645 948 7734	O-ring 25x3.5	1		
9	1125 442 1601	Contact spring	1		
10	1121 123 7503	Grommet	1		
11	1121 123 7501	Grommet Up to Serial Number: 162154675	1		
14	1121 358 7700	Hose	1		
15	0000 350 3518	Pickup body	1		
16	1113 141 1805	Sleeve	1		
17	1121 141 2200	Manifold	1		
18	9771 021 2550	Hose clip Ø 32x5	1		
19	1113 141 8600	Impulse hose	1		
20	1121 121 8600	Washer	1		
21	1121 791 0600	Handle molding	1		
22	9074 478 3076	Pan head self-tapping screw IS-P4x19	1		

AV system, Handlebar

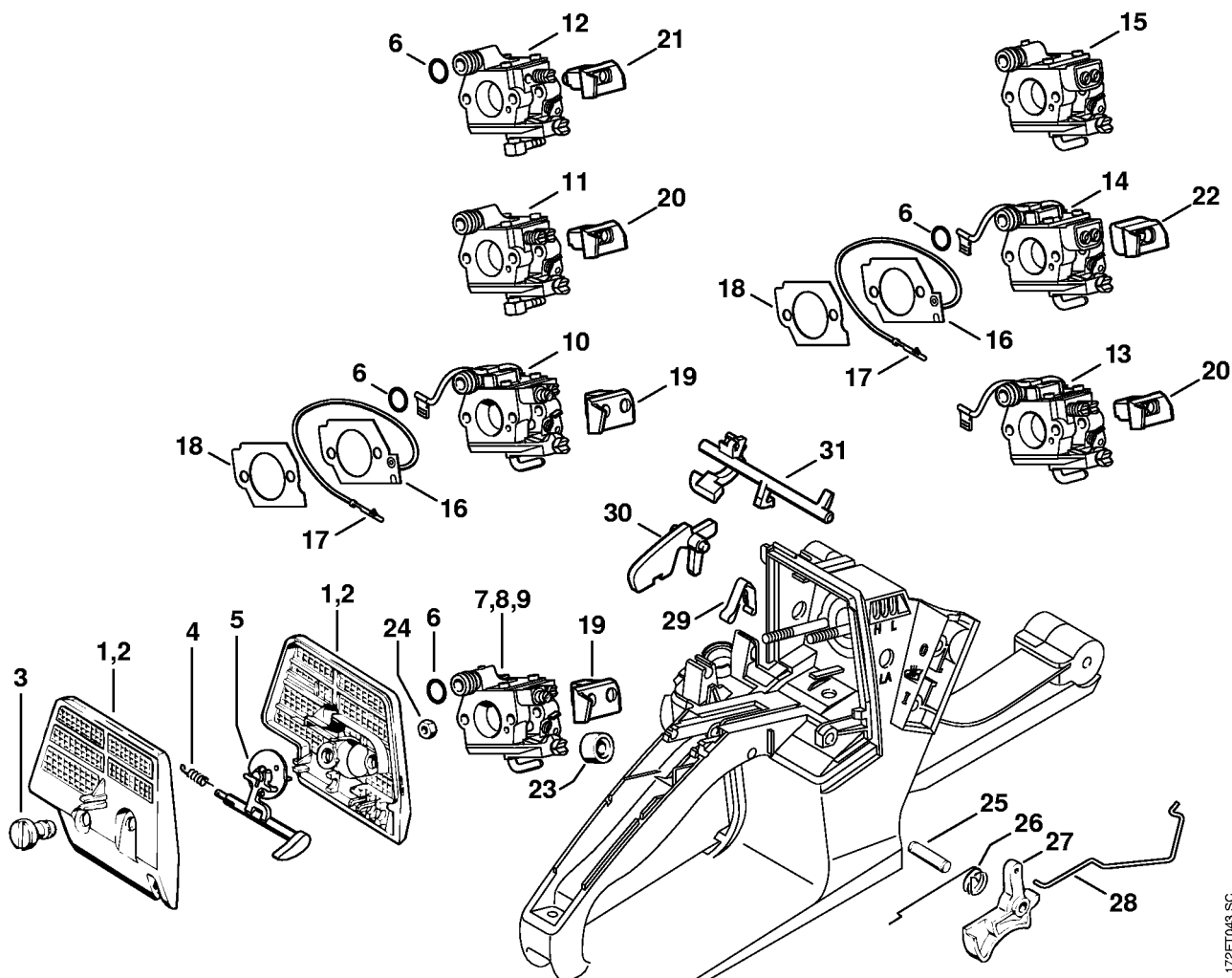


172ET030 SC

AV system, Handlebar

#	Part Number	Description	Quantity	Contains Item(s)	Remarks
		AV system normal:	1		
1	1121 790 9901	Annular buffer	1		
2	1121 790 9912	Annular buffer	1		
3	1121 790 9909	Annular buffer	1		
		AV system soft:	1		
4	1121 790 9902	Annular buffer	1		
5	1121 790 9903	Annular buffer	1		
6	1121 790 9904	Annular buffer	1		
7	1121 021 3800	Bracket	1		
8	9022 341 0960	Spline screw IS-M5x12	2		
9	1121 791 7202	Sleeve	1		
10	9074 478 4545	Pan head self-tapping screw IS-P6x26.5	1		
11	9074 478 4435	Pan head self-tapping screw IS-P6x19	3		
12	1119 791 7305	Plug	1		
13	1119 656 7705	Chain catcher	1		
14	1125 791 7306	Plug	1		
15	1121 790 1701	Handlebar	1	16, 17	
16	9074 478 4475	Pan head self-tapping screw IS-P6x21.5	2		
17	9074 478 4675	Pan head self-tapping screw IS-P6x32.5	2		

Air filter, Throttle control

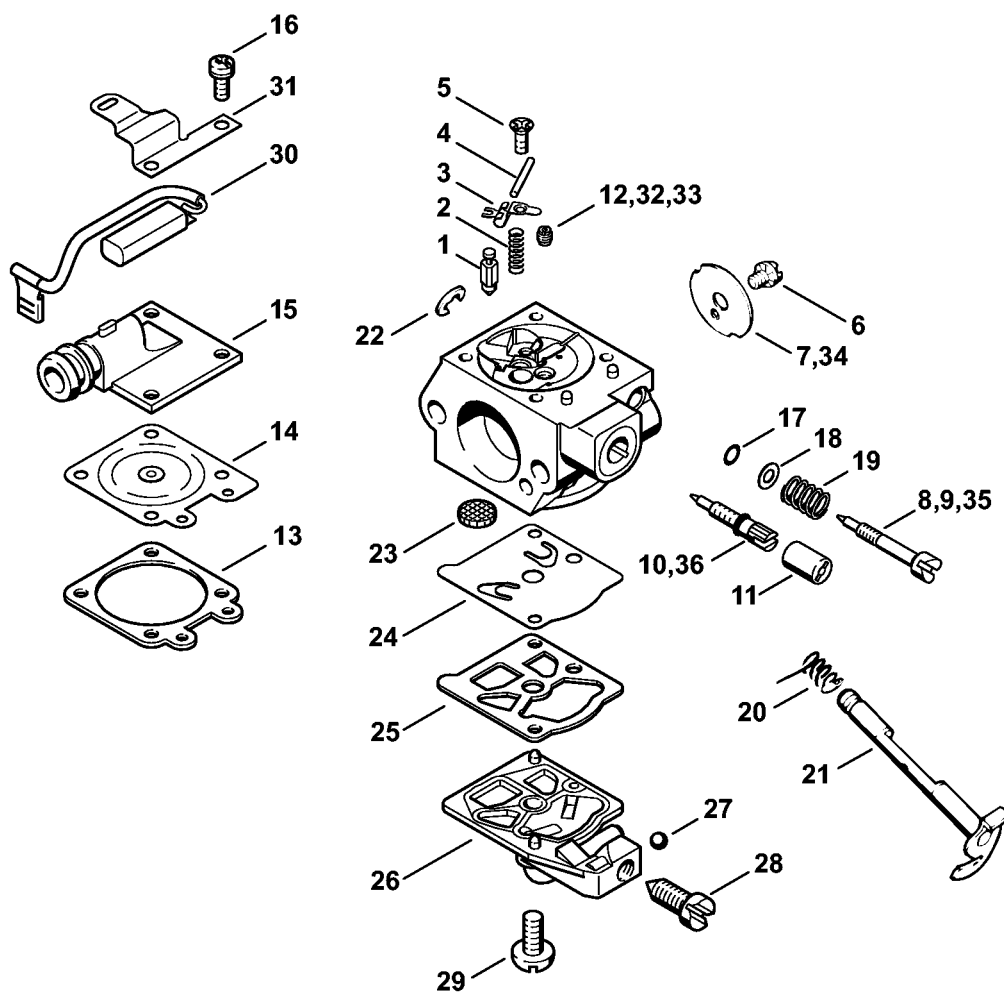


172ET043 SC

Air filter, Throttle control

#	Part Number	Description	Quantity	Contains Item(s)	Remarks
1	1121 120 1617	Air filter	1	3 - 5	
3	1124 141 8300	Slotted nut	2		
4	1121 124 3000	Torsion spring	1		
5	1121 120 2900	Choke shutter	1		
6	9645 945 7485	O-ring 7x2.5	1		
7	1121 120 0602	Carburetor WTE-1B	1		
8	1121 120 0621	Carburetor WTE-11A	1		BR
11	1121 120 0611	Carburetor WT-426B Up to Serial Number: 162154675	1		
15	1121 120 0615	Carburetor WT-581A Up to Serial Number: 162154675	1		CDN
19	1121 123 7503	Grommet	1		
20	1121 123 7501	Grommet Up to Serial Number: 162154675	1		
23	1121 122 7000	Grommet	1		
24	9210 260 0700	Hexagon nut M5	2		
25	9371 470 2640	Cylindrical pin 5x24	1		
26	1117 182 4500	Torsion spring	1		
27	1118 182 1006	Throttle trigger	1		
28	1121 182 1501	Throttle rod	1		
29	1125 442 1601	Contact spring	1		
30	1117 182 0805	Lockout lever	1		
31	1125 182 0901	Switch shaft	1		

Carburetor WTE-1, WTE-2, WTE-4, WTE-11



172ET048 AM

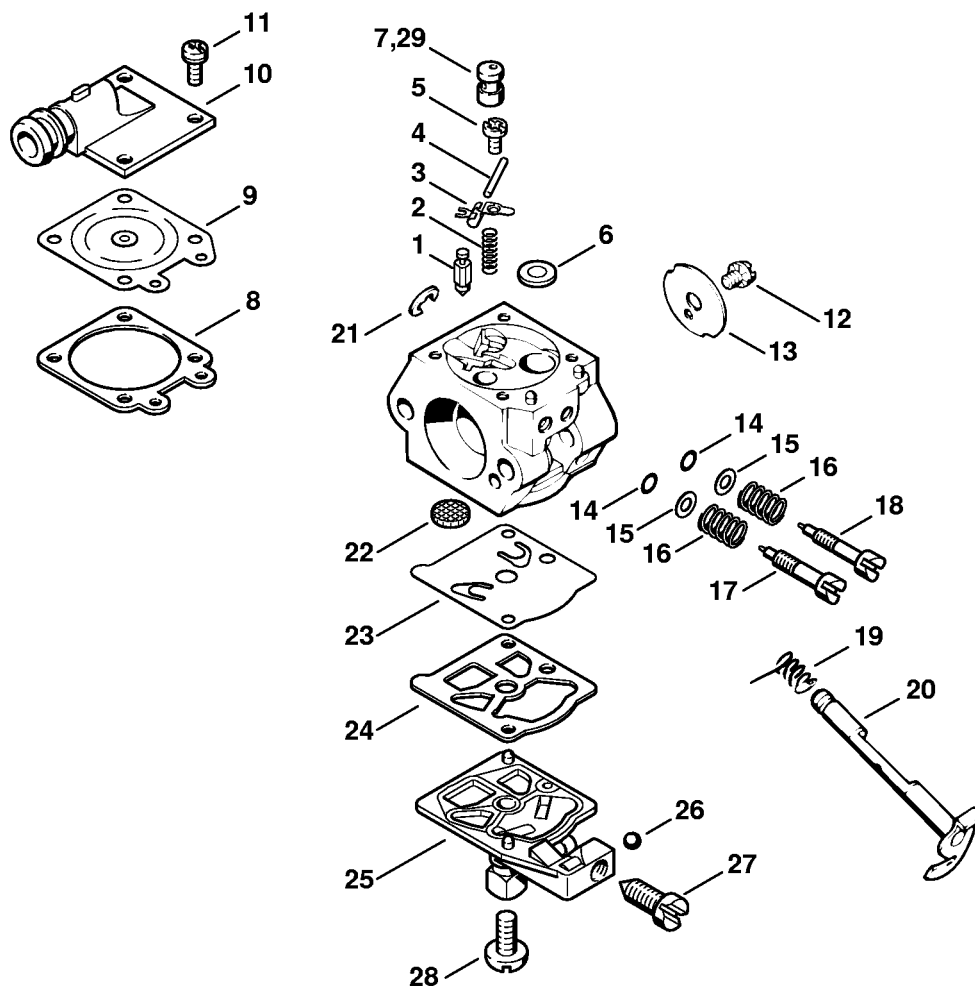
Carburetor WTE-1, WTE-2, WTE-4, WTE-11

#	Part Number	Description	Quantity	Contains Item(s)	Remarks
	1121 120 0602	Carburetor WTE-1B	1	1 - 8, 10 - 29	
	1121 120 0621	Carburetor WTE-11A	1	1 - 6, 13 - 29, 33 - 36	BR
1	4116 121 5100	Inlet needle	1		
2	4116 122 3000	Spring	1		
3	1121 121 5000	Inlet control lever	1		
4	1113 121 9200	Spindle	1		
5	1121 122 7103	Round head screw	1		
6	1121 122 7102	Round head screw	1		
7	1121 121 3302	Throttle shutter	1		
8	1121 122 6808	Low speed screw	1		
9	1121 122 6806	Low speed screw	1		
10	1121 122 6703	High speed screw	1		
11	4203 121 2700	Cap	1		
12	1121 121 5604	Fixed jet 0.48	1		
13	1120 129 0900	Gasket	1		
14	1121 121 4700	Metering diaphragm	1		
15	1121 121 0810	End cover	1		
16	1121 122 7101	Screw	4		
17	4124 122 3600	Sealing ring	1		
18	1111 121 8605	Washer	1		
19	1115 122 3002	Spring	1		
20	1113 122 3205	Torsion spring	1		
21	1121 120 7105	Throttle shaft with lever	1		
22	1117 122 9000	E-clip	1		
23	1114 121 7800	Strainer	1		
24	1121 121 4801	Pump diaphragm	1		

Carburetor WTE-1, WTE-2, WTE-4, WTE-11

#	Part Number	Description	Quantity	Contains Item(s)	Remarks
25	1120 129 0905	Gasket	1		
26	1121 121 0801	End cover	1	28, 29	
27	1122 121 7700	Clamp	1		
28	1121 122 6201	Idle speed screw	1		
29	1114 122 7100	Screw	1		
32	1123 121 5631	Fixed jet 0.46	1		High altitude
33	1129 121 5600	Fixed jet 0.50	1		BR
34	1121 121 3303	Throttle shutter	1		BR
35	1121 122 6808	Low speed screw	1		BR
36	1121 122 6704	High speed screw	1		BR
	1121 007 1063	Set of carburetor parts	1	1 - 3, 13, 14, 23 - 25	

Carburetor WT-426 # 1 62 154 675, 2 62 187 361 (07.2004)



165ET014 SC

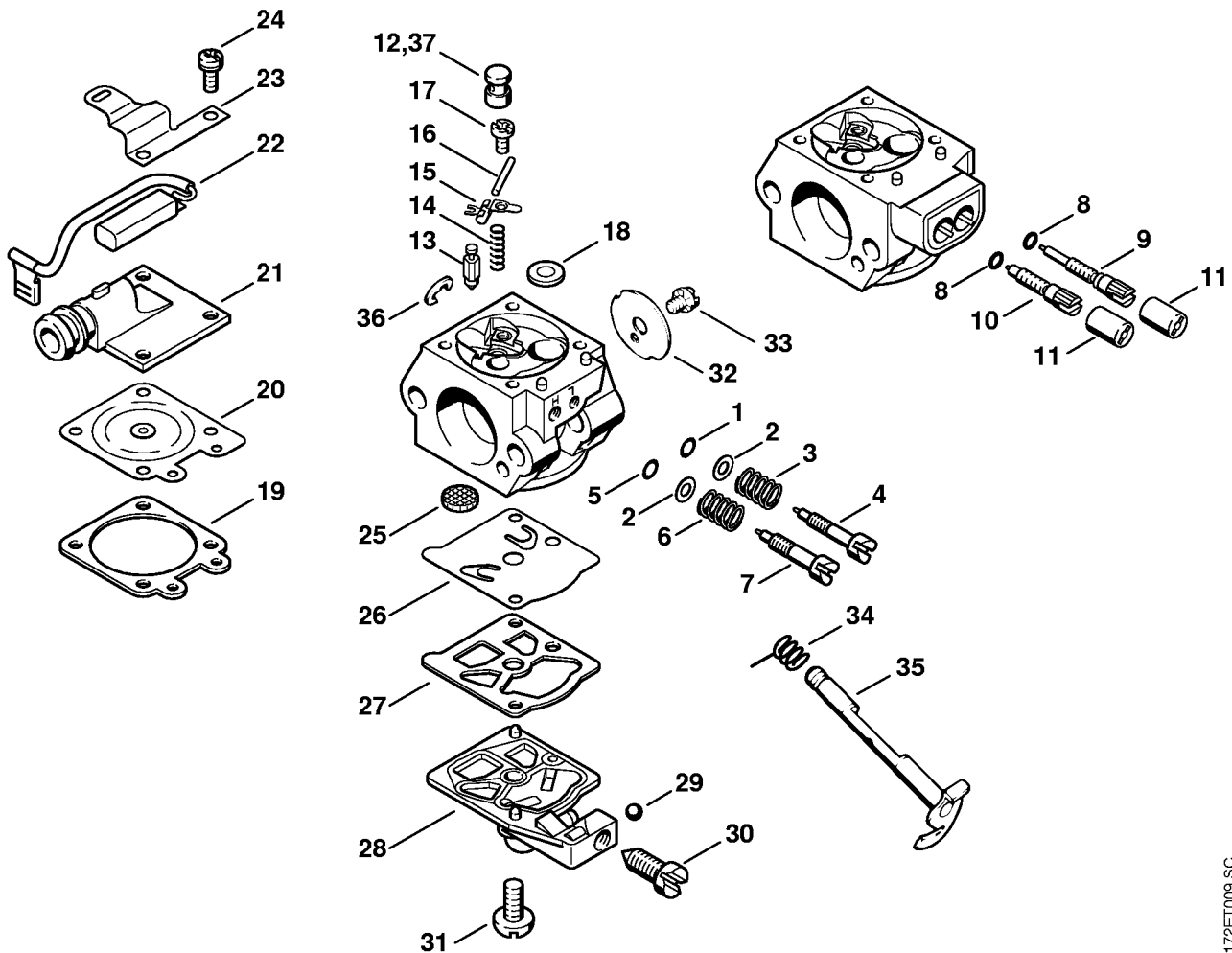
Carburetor WT-426 # 1 62 154 675, 2 62 187 361 (07.2004)

#	Part Number	Description	Quantity	Contains Item(s)	Remarks
	1121 120 0611	Carburetor WT-426B Up to Serial Number: 162154675	1	1 - 28	
1	4116 121 5100	Inlet needle Up to Serial Number: 162154675	1		
2	1114 122 3005	Spring Up to Serial Number: 162154675	1		
3	1113 121 5000	Inlet control lever Up to Serial Number: 162154675	1		
4	1113 121 9200	Spindle Up to Serial Number: 162154675	1		
5	1114 122 7400	Round head screw Up to Serial Number: 162154675	1		
6	4117 122 9402	Plug Up to Serial Number: 162154675	1		
7	1121 121 5400	Valve jet 0.48 Up to Serial Number: 162154675	1		
8	1120 129 0900	Gasket Up to Serial Number: 162154675	1		
9	1113 121 4705	Metering diaphragm Up to Serial Number: 162154675	1		
10	1121 121 0810	End cover Up to Serial Number: 162154675	1		
11	1121 122 7101	Screw Up to Serial Number: 162154675	4		
12	1110 122 7400	Round head screw Up to Serial Number: 162154675	1		
13	1121 121 3301	Throttle shutter Up to Serial Number: 162154675	1		
14	4130 122 3600	Sealing ring Up to Serial Number: 162154675	2		
15	4130 121 8601	Washer Up to Serial Number: 162154675	2		
16	1115 122 3002	Spring	2		

Carburetor WT-426 # 1 62 154 675, 2 62 187 361 (07.2004)

#	Part Number	Description	Quantity	Contains Item(s)	Remarks
		Up to Serial Number: 162154675			
17	1121 122 6700	High speed screw Up to Serial Number: 162154675	1		
18	1121 122 6802	Low speed screw Up to Serial Number: 162154675	1		
19	1113 122 3205	Torsion spring Up to Serial Number: 162154675	1		
20	1121 120 7105	Throttle shaft with lever Up to Serial Number: 162154675	1		
21	1117 122 9000	E-clip Up to Serial Number: 162154675	1		
22	1114 121 7800	Strainer Up to Serial Number: 162154675	1		
23	1121 121 4801	Pump diaphragm Up to Serial Number: 162154675	1		
24	1120 129 0905	Gasket Up to Serial Number: 162154675	1		
25	1121 121 0805	End cover Up to Serial Number: 162154675	1	26, 27	
26	1122 121 7700	Clamp Up to Serial Number: 162154675	1		
27	1121 122 6205	Idle speed screw Up to Serial Number: 162154675	1		
28	1114 122 7100	Screw Up to Serial Number: 162154675	1		
29	1121 121 5601	Fixed jet 0.46 Up to Serial Number: 162154675	1		High altitude
	1121 007 1062	Set of carburetor parts Up to Serial Number: 162154675	1	1 - 3, 8, 9, 22 - 24	

Carburetor WT-427, WT-581, WT-590 # 1 62 154 675, 2 62 187 361 (07.2004)



172ET009 SC

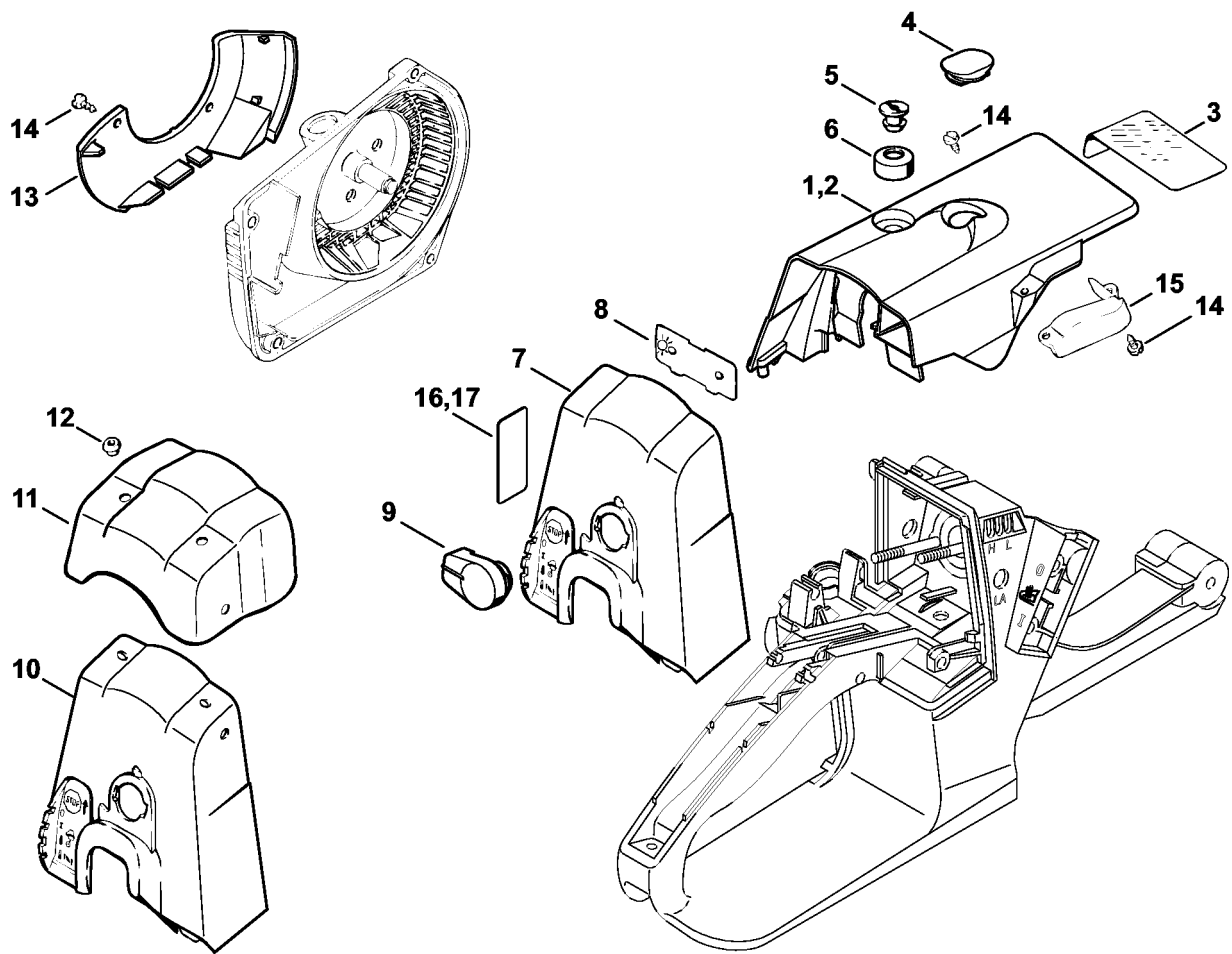
Carburetor WT-427, WT-581, WT-590 # 1 62 154 675, 2 62 187 361 (07.2004)

#	Part Number	Description	Quantity	Contains Item(s)	Remarks
	1121 120 0615	Carburetor WT-581A Up to Serial Number: 162154675	1	8 - 11, 13 - 21, 24 - 37	CDN
8		Sealing ring Up to Serial Number: 162154675	2		
9	1121 122 6804	Low speed screw Up to Serial Number: 162154675	1	8	
10	1121 122 6702	High speed screw Up to Serial Number: 162154675	1	8	
11	4203 121 2700	Cap Up to Serial Number: 162154675	2		
13	4116 121 5100	Inlet needle Up to Serial Number: 162154675	1		
14	1114 122 3005	Spring Up to Serial Number: 162154675	1		
15	1113 121 5000	Inlet control lever Up to Serial Number: 162154675	1		
16	1113 121 9200	Spindle Up to Serial Number: 162154675	1		
17	1114 122 7400	Round head screw Up to Serial Number: 162154675	1		
18	4117 122 9402	Plug Up to Serial Number: 162154675	1		
19	1120 129 0900	Gasket Up to Serial Number: 162154675	1		
20	1113 121 4705	Metering diaphragm Up to Serial Number: 162154675	1		
21	1121 121 0810	End cover Up to Serial Number: 162154675	1		
24	1121 122 7101	Screw Up to Serial Number: 162154675	4		
25	1114 121 7800	Strainer Up to Serial Number: 162154675	1		
26	1121 121 4801	Pump diaphragm	1		

Carburetor WT-427, WT-581, WT-590 # 1 62 154 675, 2 62 187 361 (07.2004)

#	Part Number	Description	Quantity	Contains Item(s)	Remarks
		Up to Serial Number: 162154675			
27	1120 129 0905	Gasket Up to Serial Number: 162154675	1		
28	1121 121 0805	End cover Up to Serial Number: 162154675	1	29, 30	
29	1122 121 7700	Clamp Up to Serial Number: 162154675	1		
30	1121 122 6205	Idle speed screw Up to Serial Number: 162154675	1		
31	1114 122 7100	Screw Up to Serial Number: 162154675	1		
32	1121 121 3301	Throttle shutter Up to Serial Number: 162154675	1		
33	1110 122 7400	Round head screw Up to Serial Number: 162154675	1		
34	1113 122 3205	Torsion spring Up to Serial Number: 162154675	1		
35	1121 120 7105	Throttle shaft with lever Up to Serial Number: 162154675	1		
36	1117 122 9000	E-clip Up to Serial Number: 162154675	1		
37	1121 121 5601	Fixed jet 0.46 Up to Serial Number: 162154675	1		CDN
	1121 007 1062	Set of carburetor parts Up to Serial Number: 162154675	1	13 - 15, 19, 20, 25 - 27	

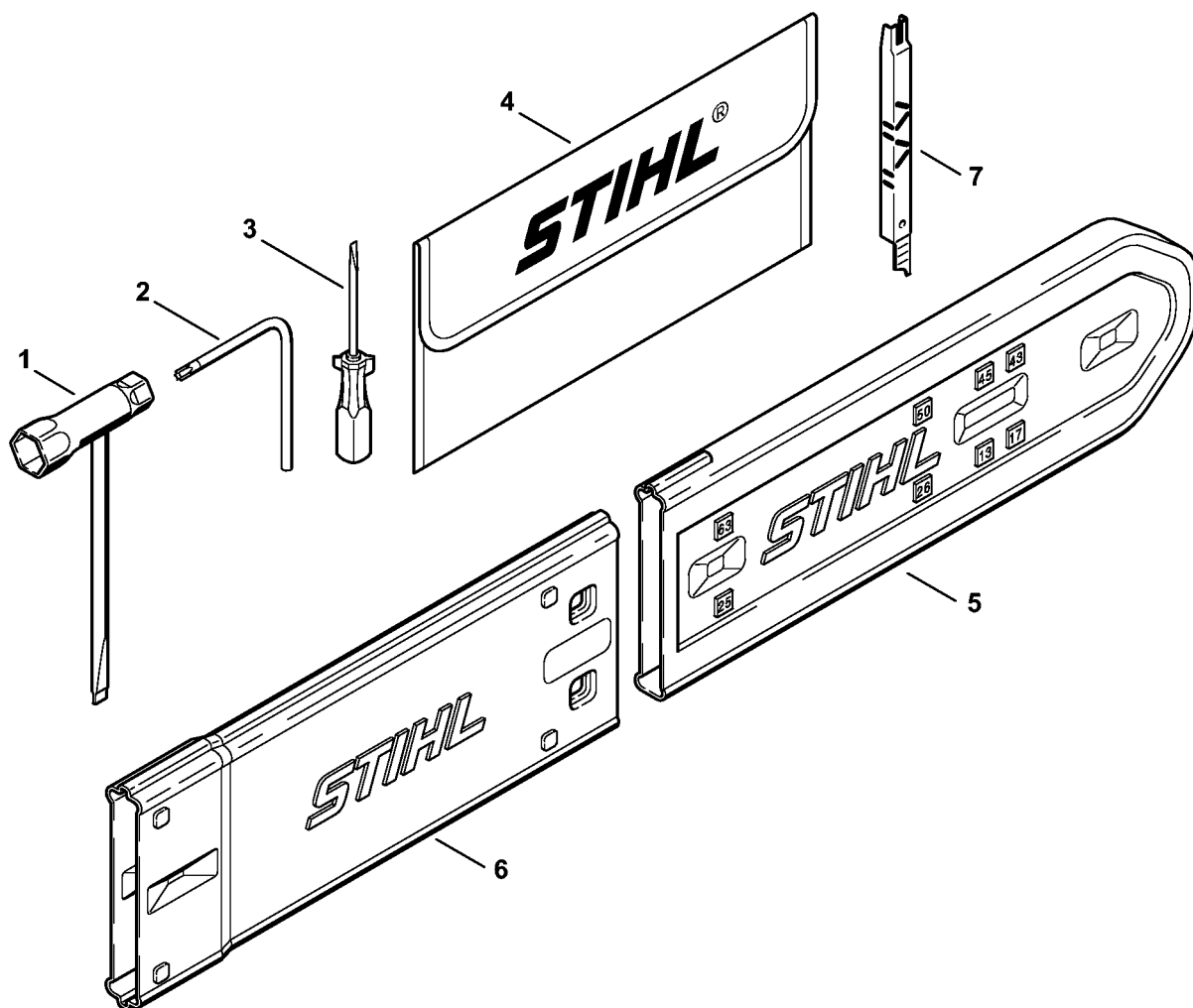
Shroud, Carburetor box cover



172ET046 AM

Shroud, Carburetor box cover

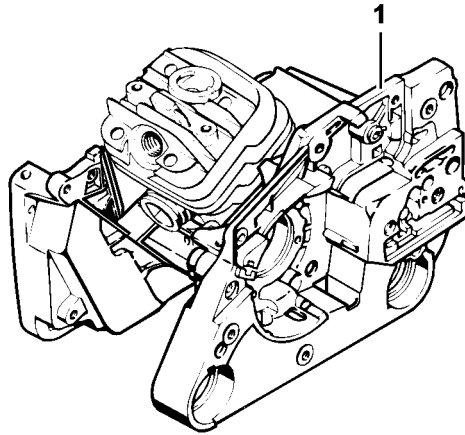
#	Part Number	Description	Quantity	Contains Item(s)	Remarks
1	1121 080 1605	Shroud	1	3, 4	
3	1119 084 8300	Reflector foil	1		
4	1121 084 7101	Cap	1		
5	1121 084 7000	Slotted nut	1		
6	1121 084 6901	Insulator	1		
7	1121 140 1915	Carburetor box cover	1	8, 9	
8	1121 141 2900	Cover	1		
9	1130 141 2300	Twist lock	1		
	1121 007 1014	Intake air preheating kit	1	8 - 15	
10	1121 140 1916	Carburetor box cover	1	8, 9, 11, 12	
11	1121 141 2502	Cover	1		
12	9438 929 4040	Blind rivet 5x8	4		
13	1121 084 8202	Cover plate	1		
14	9099 021 2360	Self-tapping screw 3.5x9.5	4		
15	1121 084 1700	Air guide	1		



1121-GET-0002-A0

Tools, Extras

#	Part Number	Description	Quantity	Contains Item(s)	Remarks
	1121 890 1400	Tool kit	1	1 - 4	
1	1129 890 3401	Combination wrench	1		
2	0812 370 1000	Screwdriver T27x120x70	1		
3	0000 890 2300	Screwdriver	1		
4	0000 891 0810	Tool roll	1		
5	0000 792 9129	Chain scabbard	1		
6	0000 792 9132	Chain scabbard extension up to 63 cm	1		
7	1110 893 4000	Filing gauge	1		

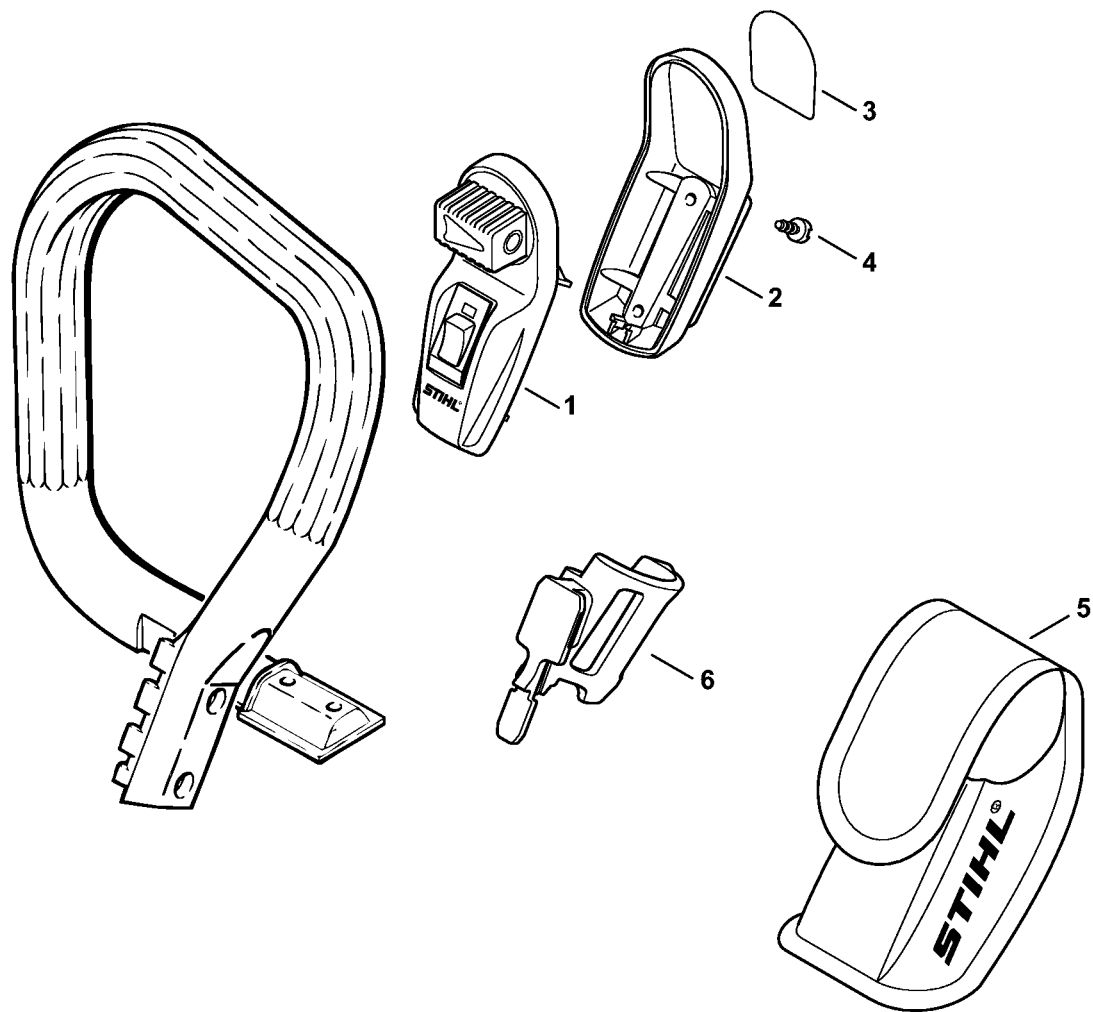


172ET049 SC

Serial number

#	Part Number	Description	Quantity	Contains Item(s)	Remarks
1		Position of serial number	1		

2-in-1 laser

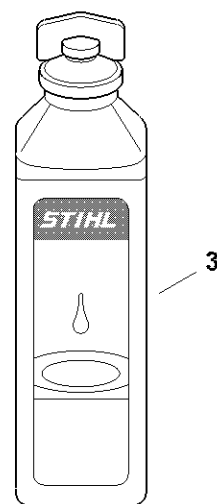
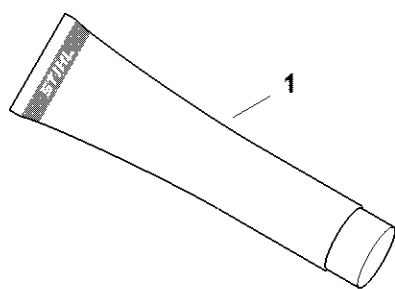


172ET060 SC

2-in-1 laser

#	Part Number	Description	Quantity	Contains Item(s)	Remarks
1	0000 400 0200	Laser	1	2 - 5	
2	0000 430 9900	Handle molding, bottom	1	3	
3	0000 967 7307	Warning pictogram	1		
4	9074 478 2967	Pan head self-tapping screw IS-P4x10	2		
5	0000 491 0100	Bag	1		
6	1121 791 5400	Support	1		

Miscellaneous lubricants and greases

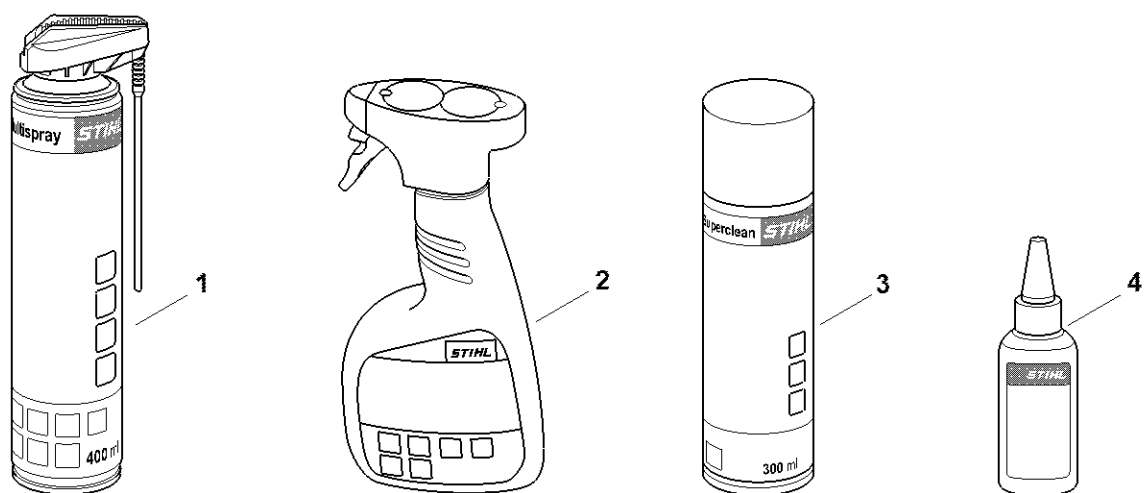


0000-GET-0170-A0

Miscellaneous lubricants and greases

#	Part Number	Description	Quantity	Contains Item(s)	Remarks
1	0781 120 1021	STIHL Multilub 40g tube	1		
1	0781 120 1109	Multipurpose grease 80 g	1		
1	0781 120 1110	Multipurpose grease 225 g	1		
2	0781 957 9000	Press fluid OH 723	1		
3	0781 319 8401	HP 100ml	1		
3	0781 319 8052	HP Super 100ml	1		
3	0781 319 8060	HP Ultra 100ml	1		

Cleaning products

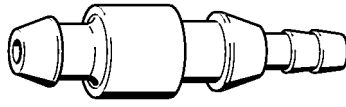


0000-GET-0171-A0

Cleaning products

#	Part Number	Description	Quantity	Contains Item(s)	Remarks
1	0730 411 7002	Multispray 50 ml	1		
1	0730 411 7000	Multispray	1		
2	0000 881 9400	VarioClean 500 ml	1		
2	0000 881 9409	Special cleaner 5 l	1		
3	0782 420 1001	SuperClean 50 ml	1		
3	0782 420 1002	SuperClean 300 ml	1		
4	0782 516 8500	Multioil Bio 50 ml	1		

Nipple



901SW008 GM

Nipple

#	Part Number	Description	Quantity	Contains Item(s)	Remarks
	0000 855 9200	Nipple	1		

Installing tool

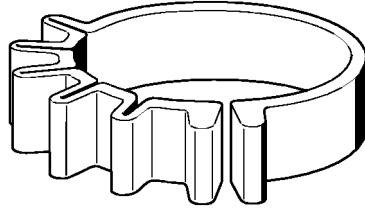


901SW009 GM

Installing tool

#	Part Number	Description	Quantity	Contains Item(s)	Remarks
	0000 890 2201	Installing tool	1		
	9210 319 0900	Hexagon nut M6	1		

Clamping strap

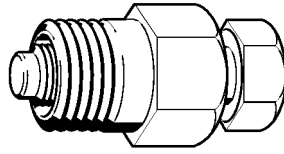


901SW011 GM

Clamping strap

#	Part Number	Description	Quantity	Contains Item(s)	Remarks
	0000 893 2600	Clamping strap	1		

Puller

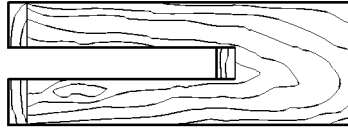


901SW020 GM

Puller

#	Part Number	Description	Quantity	Contains Item(s)	Remarks
	1110 890 4500	Puller	1		

Wooden assembly block

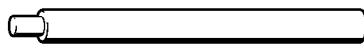


901SW022 GM

Wooden assembly block

#	Part Number	Description	Quantity	Contains Item(s)	Remarks
	1108 893 4800	Wooden assembly block	1		

Assembly drift

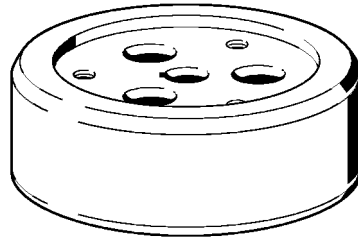


901SW047 GM

Assembly drift

#	Part Number	Description	Quantity	Contains Item(s)	Remarks
	1114 893 4700	Assembly drift	1		

Centering tool



901 SW060 GM

Centering tool

#	Part Number	Description	Quantity	Contains Item(s)	Remarks
	1118 893 3500	Centering tool	1		

Installing sleeve

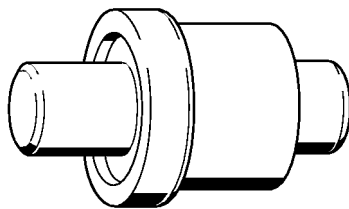


901SW061 GM

Installing sleeve

#	Part Number	Description	Quantity	Contains Item(s)	Remarks
	1118 893 4602	Installing sleeve	1		

Press arbor



901 SW062 GM

Press arbor

#	Part Number	Description	Quantity	Contains Item(s)	Remarks
	1118 893 7200	Press arbor	1		

Press sleeve

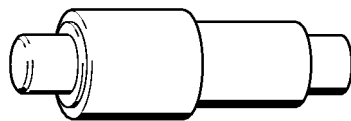


901SW066 GM

Press sleeve

#	Part Number	Description	Quantity	Contains Item(s)	Remarks
	1120 893 2400	Press sleeve	1		

Press arbor

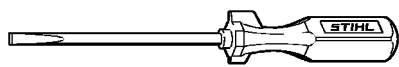


901SW067 GM

Press arbor

#	Part Number	Description	Quantity	Contains Item(s)	Remarks
	1120 893 7200	Press arbor	1		

Screwdriver

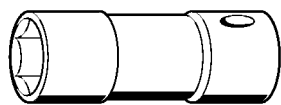


901SW072 GM

Screwdriver

#	Part Number	Description	Quantity	Contains Item(s)	Remarks
	5910 890 2305	Screwdriver	1		

Socket, S19x12.5L



901SW073 GM

Socket, S19x12.5L

#	Part Number	Description	Quantity	Contains Item(s)	Remarks
	5910 893 5613	Socket, S19x12.5L	1		

Sealing plate

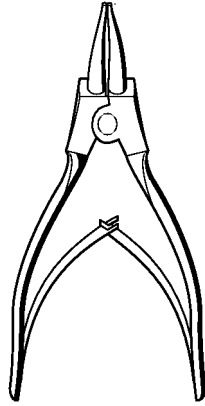


901 SW078 GM

Sealing plate

#	Part Number	Description	Quantity	Contains Item(s)	Remarks
	0000 855 8106	Sealing plate	1		

Pliers A19

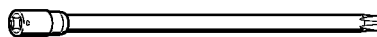


901 SW086 GM

Pliers A19

#	Part Number	Description	Quantity	Contains Item(s)	Remarks
	0811 611 8380	Pliers A19	1		

Socket, T27x125

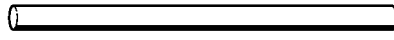


901SW091 GM

Socket, T27x125

#	Part Number	Description	Quantity	Contains Item(s)	Remarks
	0812 542 2104	Driver bit, 1/4" square drive, T27x125	1		

Hose 135 mm / 5 5/16"

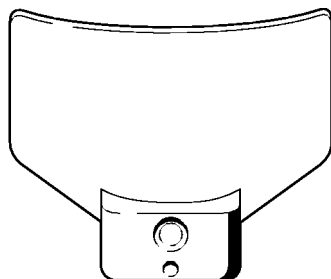


901SW100 GM

Hose 135 mm / 5 5/16"

#	Part Number	Description	Quantity	Contains Item(s)	Remarks
	1110 141 8600	Hose 135 mm / 5 5/16"	1		

Setting gauge



901SW107 GM

Setting gauge

#	Part Number	Description	Quantity	Contains Item(s)	Remarks
	1111 890 6400	Setting gauge	1		

Assembly tube



901SW112 GM

Assembly tube

#	Part Number	Description	Quantity	Contains Item(s)	Remarks
	1117 890 0900	Assembly tube	1		

Press sleeve

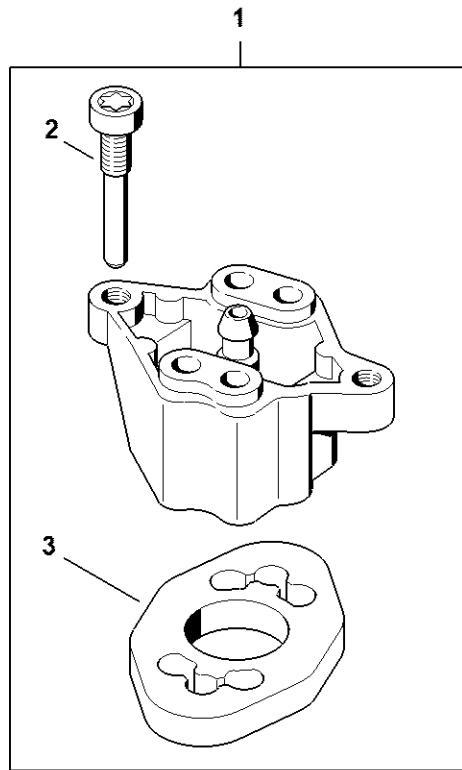


901SW124 GM

Press sleeve

#	Part Number	Description	Quantity	Contains Item(s)	Remarks
	1121 893 2400	Press sleeve	1		

Flange

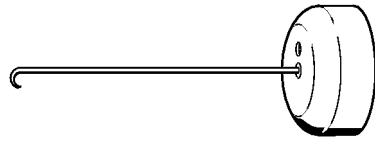


5910-GET-0183-A1

Flange

#	Part Number	Description	Quantity	Contains Item(s)	Remarks
1	5910 850 4207	Flange	1	2, 3	
2	1128 855 9000	Screw M5x30	1		
3	5910 851 9901	Gasket	1		

Assembly hook

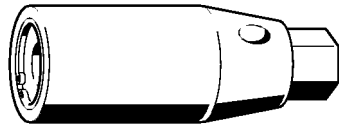


901SW205 GM

Assembly hook

#	Part Number	Description	Quantity	Contains Item(s)	Remarks
	5910 890 2800	Assembly hook	1		

Stud puller, M8

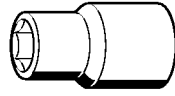


901SW209 GM

Stud puller, M8

#	Part Number	Description	Quantity	Contains Item(s)	Remarks
	5910 893 0501	Stud puller, M8	1		

Socket, 13 mm

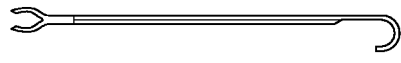


901SW217 GM

Socket, 13 mm

#	Part Number	Description	Quantity	Contains Item(s)	Remarks
	5910 893 5608	Socket, 13 mm	1		

Assembly hook

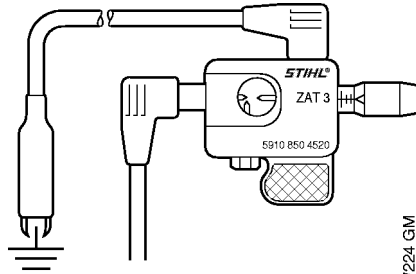


901SW221 GM

Assembly hook

#	Part Number	Description	Quantity	Contains Item(s)	Remarks
	5910 893 8800	Assembly hook	1		

Ignition system tester, ZAT 3

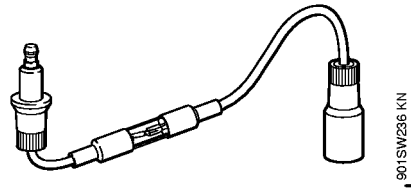


901 SW224 GM

Ignition system tester, ZAT 3

#	Part Number	Description	Quantity	Contains Item(s)	Remarks
	5910 850 4520	Ignition system tester, ZAT 3	1		

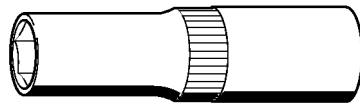
Ignition system tester, ZAT 4



Ignition system tester, ZAT 4

#	Part Number	Description	Quantity	Contains Item(s)	Remarks
	5910 850 4503	Ignition system tester, ZAT 4	1		

Socket, 13 mm, long reach



901SW265 KN

Socket, 13 mm, long reach

#	Part Number	Description	Quantity	Contains Item(s)	Remarks
	5910 893 2804	Socket, 13 mm, long reach	1		

Locking strip

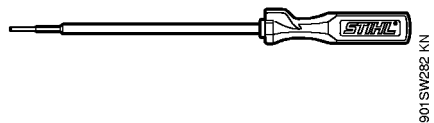


5910-GET-0125-A0

Locking strip

#	Part Number	Description	Quantity	Contains Item(s)	Remarks
1	0000 893 5903	Locking strip	1		

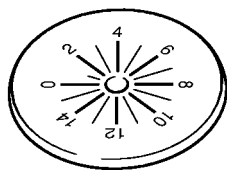
Screwdriver



Screwdriver

#	Part Number	Description	Quantity	Contains Item(s)	Remarks
	5910 890 2304	Screwdriver	1		

Setting disk

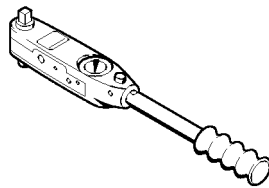


901SW287 KN

Setting disk

#	Part Number	Description	Quantity	Contains Item(s)	Remarks
	5910 893 6600	Setting disk	1		

Torque wrench with optical/acoustic signal

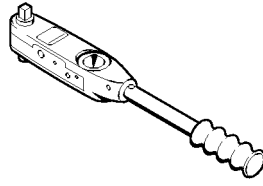


901SW290 KN

Torque wrench with optical/acoustic signal

#	Part Number	Description	Quantity	Contains Item(s)	Remarks
	5910 890 0312	Torque wrench with optical/acoustic signal	1		

Torque wrench

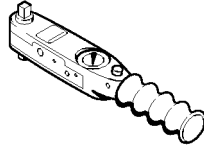


901SW291 KN

Torque wrench

#	Part Number	Description	Quantity	Contains Item(s)	Remarks
	5910 890 0311	Torque wrench	1		

Torque wrench with optical/acoustic signal

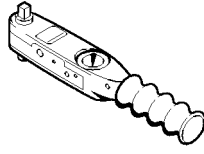


901SW292 KN

Torque wrench with optical/acoustic signal

#	Part Number	Description	Quantity	Contains Item(s)	Remarks
		Torque wrench	1		

Torque wrench

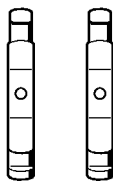


901SW293 KN

Torque wrench

#	Part Number	Description	Quantity	Contains Item(s)	Remarks
	5910 890 0301	Torque wrench	1		

Jaw (profile No. 3.1 and 4)

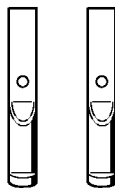


901 SW932 GIM

Jaw (profile No. 3.1 and 4)

#	Part Number	Description	Quantity	Contains Item(s)	Remarks
	0000 893 3706	Jaw (profile No. 3.1 and 4)	1		

Jaw (profile No. 6)

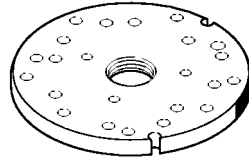


901 SW933 CIM

Jaw (profile No. 6)

#	Part Number	Description	Quantity	Contains Item(s)	Remarks
	0000 893 3711	Jaw (profile No. 6)	1		

Drilled plate

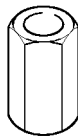


901 SW836 CIM

Drilled plate

#	Part Number	Description	Quantity	Contains Item(s)	Remarks
	5910 893 2101	Drilled plate	1		

Screw sleeve

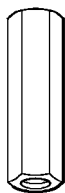


901 SW839 CIM

Screw sleeve

#	Part Number	Description	Quantity	Contains Item(s)	Remarks
	5910 893 2421	Screw sleeve	1		

Screw sleeve

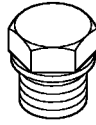


901 SW948 CIM

Screw sleeve

#	Part Number	Description	Quantity	Contains Item(s)	Remarks
	5910 893 2409	Screw sleeve	1		

Plug

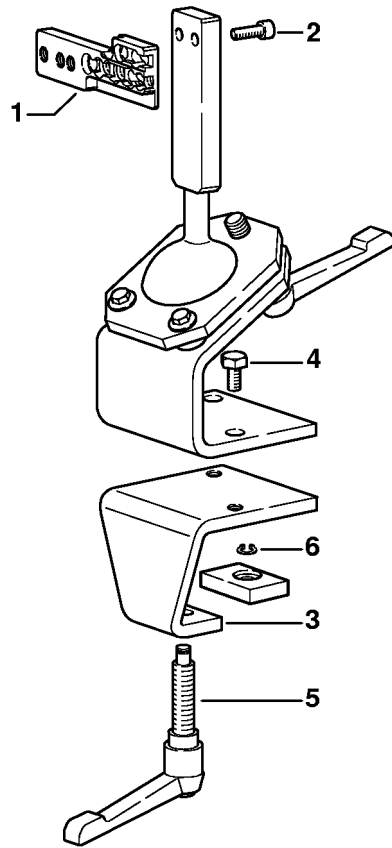


901SW357 GM

Plug

#	Part Number	Description	Quantity	Contains Item(s)	Remarks
	1122 025 2200	Plug	1		

Assembly stand

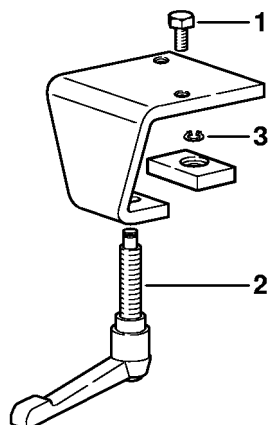


9015W363 SC

Assembly stand

#	Part Number	Description	Quantity	Contains Item(s)	Remarks
	5910 890 3101	Assembly stand	1	1 - 6	
1	5910 850 1651	Support	1		
2	9045 319 2390	Socket head screw M10x25	2		
3	5910 850 2100	Clamping plate	1	4 - 6	
4	9008 319 2930	Hexagon head screw M12x20	2		
5	5910 890 1901	Clamp lever	1		
6	9455 621 0850	Circlip 10x1	1		

Clamping plate

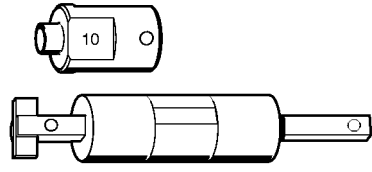


901SW664-SC

Clamping plate

#	Part Number	Description	Quantity	Contains Item(s)	Remarks
	5910 850 2100	Clamping plate	1	1 - 3	
1	9008 319 2930	Hexagon head screw M12x20	2		
2	5910 890 1901	Clamp lever	1		
3	9455 621 0850	Circlip 10x1	1		

Installing tool, 10

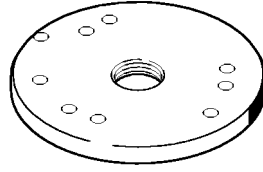


901SW666 KN

Installing tool, 10

#	Part Number	Description	Quantity	Contains Item(s)	Remarks
	5910 890 2210	Installing tool, 10	1		
	5910 893 1707	Sleeve	1		

Drilled plate

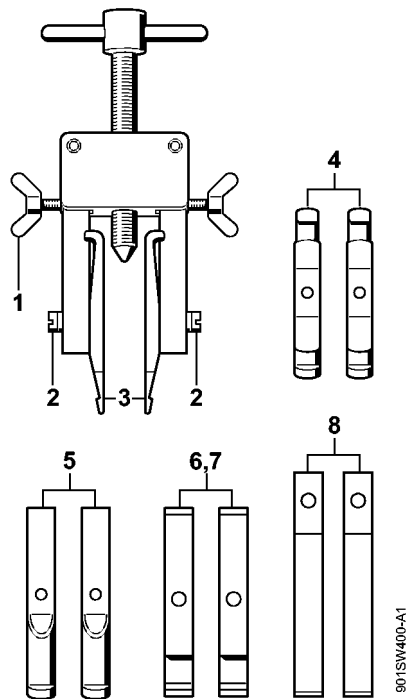


9013W396 GM

Drilled plate

#	Part Number	Description	Quantity	Contains Item(s)	Remarks
	5910 890 0550	Drilled plate	1		

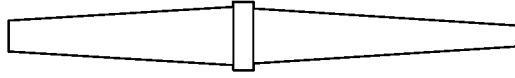
Puller



Puller

#	Part Number	Description	Quantity	Contains Item(s)	Remarks
	5910 890 4400	Puller	1	1 - 8	
1	9157 691 0980	Wing screw M5x16	2		
2	9044 319 0980	Pan head screw M5x16	2		
3	0000 893 3700	Jaw (profile No. 1 and 2)	2		
4	0000 893 3706	Jaw (profile No. 3.1 and 4)	2		
5	0000 893 3711	Jaw (profile No. 6)	2		
6	0000 893 3703	Jaw (profile No. 7)	2		
7	0000 893 3704	Jaw (profile No. 8)	2		
8	0000 893 3707	Jaw (profile No. 9)	2		

Nipple

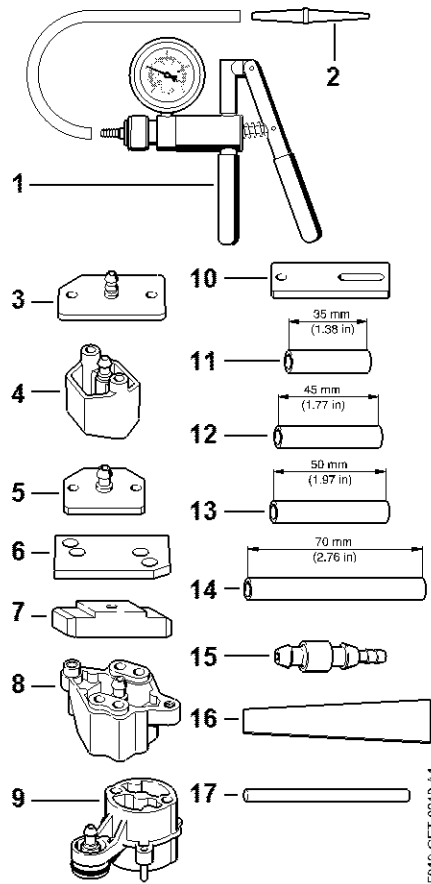


901SW496 GM

Nipple

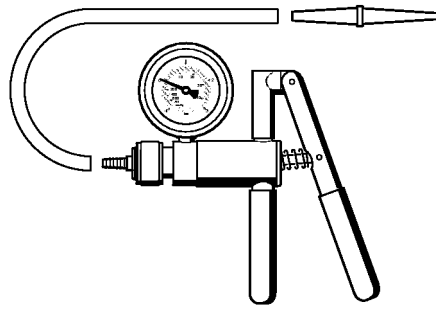
#	Part Number	Description	Quantity	Contains Item(s)	Remarks
	0000 855 9201	Nipple	1		

Testing tool kit



Testing tool kit

#	Part Number	Description	Quantity	Contains Item(s)	Remarks
	0000 890 1701	Testing tool kit	1	1 - 17	
1	0000 850 1300	Pump	1	2	
2	0000 855 9201	Nipple	1		
3	1106 850 4201	Flange	1		
4	1118 850 4200	Flange	1		
5	1119 850 4201	Test flange	1		
6	1123 855 4200	Flange	1		
7	1124 850 4205	Flange	1		
8	5910 850 4207	Flange	1		
9	4224 890 1200	Flange	1		
10	5910 855 4206	Flange	1		
11	5910 893 1702	Sleeve	2		
12	1123 851 8300	Sleeve	2		
13	1124 893 7100	Sleeve	2		
14	1127 851 8300	Sleeve	2		
15	0000 855 9200	Nipple	1		
16	0000 855 8106	Sealing plate	1		
17	1110 141 8600	Hose 135 mm / 5 5/16"	1		



901SW486 GM

Pump

#	Part Number	Description	Quantity	Contains Item(s)	Remarks
	0000 850 1300	Pump	1		
	0000 855 9201	Nipple	1		
	0000 855 0100	Hose	1		

Stud puller, M8-7,5

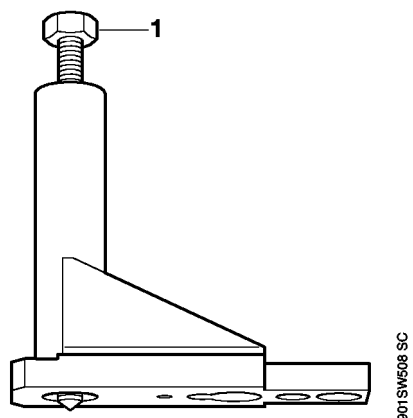


901SW502 GM

Stud puller, M8-7,5

#	Part Number	Description	Quantity	Contains Item(s)	Remarks
	5910 890 3000	Stud driver M8-7.5	1		

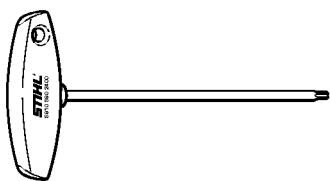
Service tool AS



Service tool AS

#	Part Number	Description	Quantity	Contains Item(s)	Remarks
	5910 890 2222	Service tool AS	1	1	
1	5910 893 8500	Spindle AS	1		

Screwdriver, T27x150

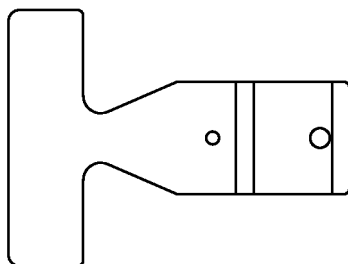


901SW575 KN

Screwdriver, T27x150

#	Part Number	Description	Quantity	Contains Item(s)	Remarks
	5910 890 2400	Screwdriver, T27x150	1		

Setting gauge

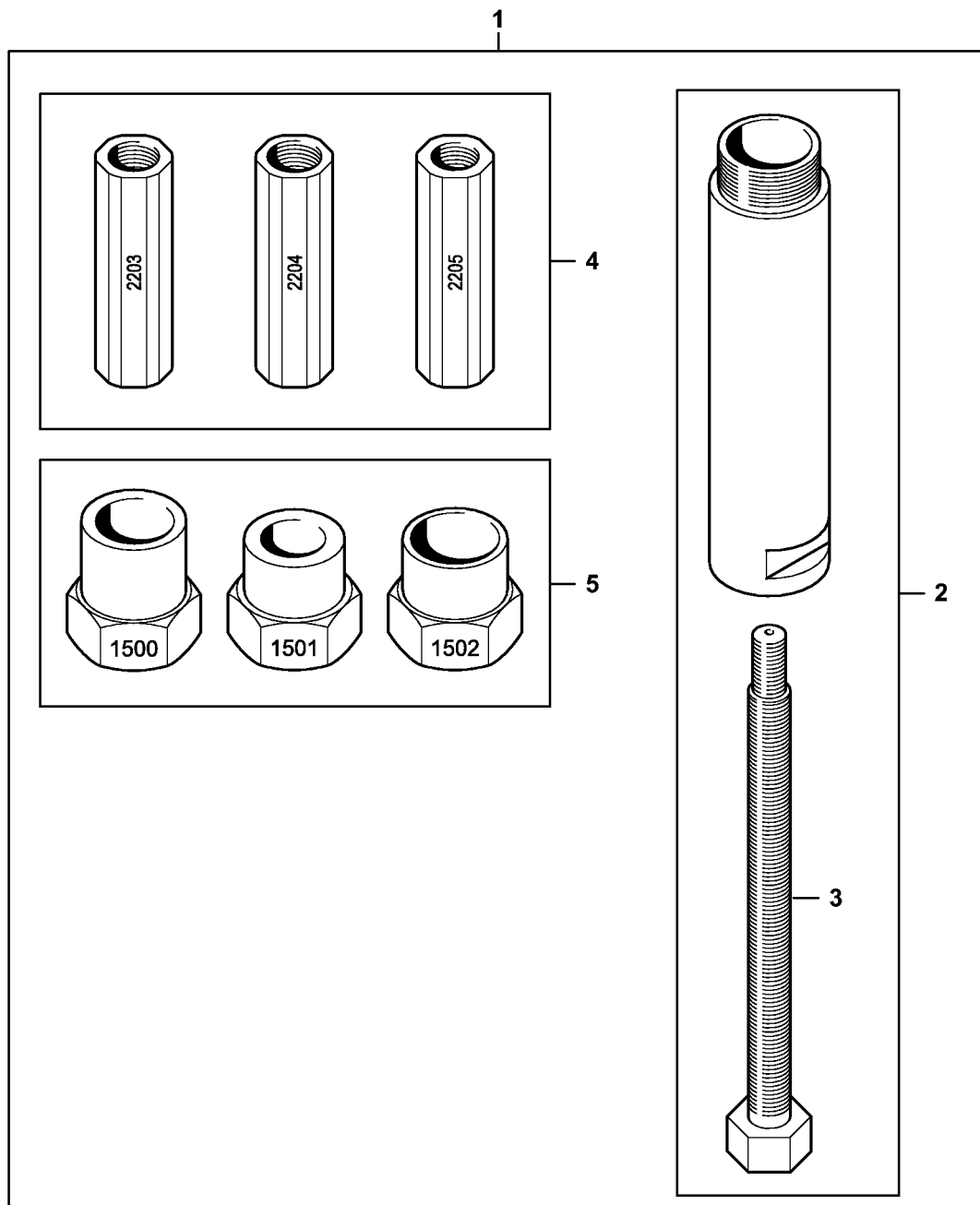


901SW605 SC

Setting gauge

#	Part Number	Description	Quantity	Contains Item(s)	Remarks
	0000 890 6401	Setting gauge	1		

Installing tool AS

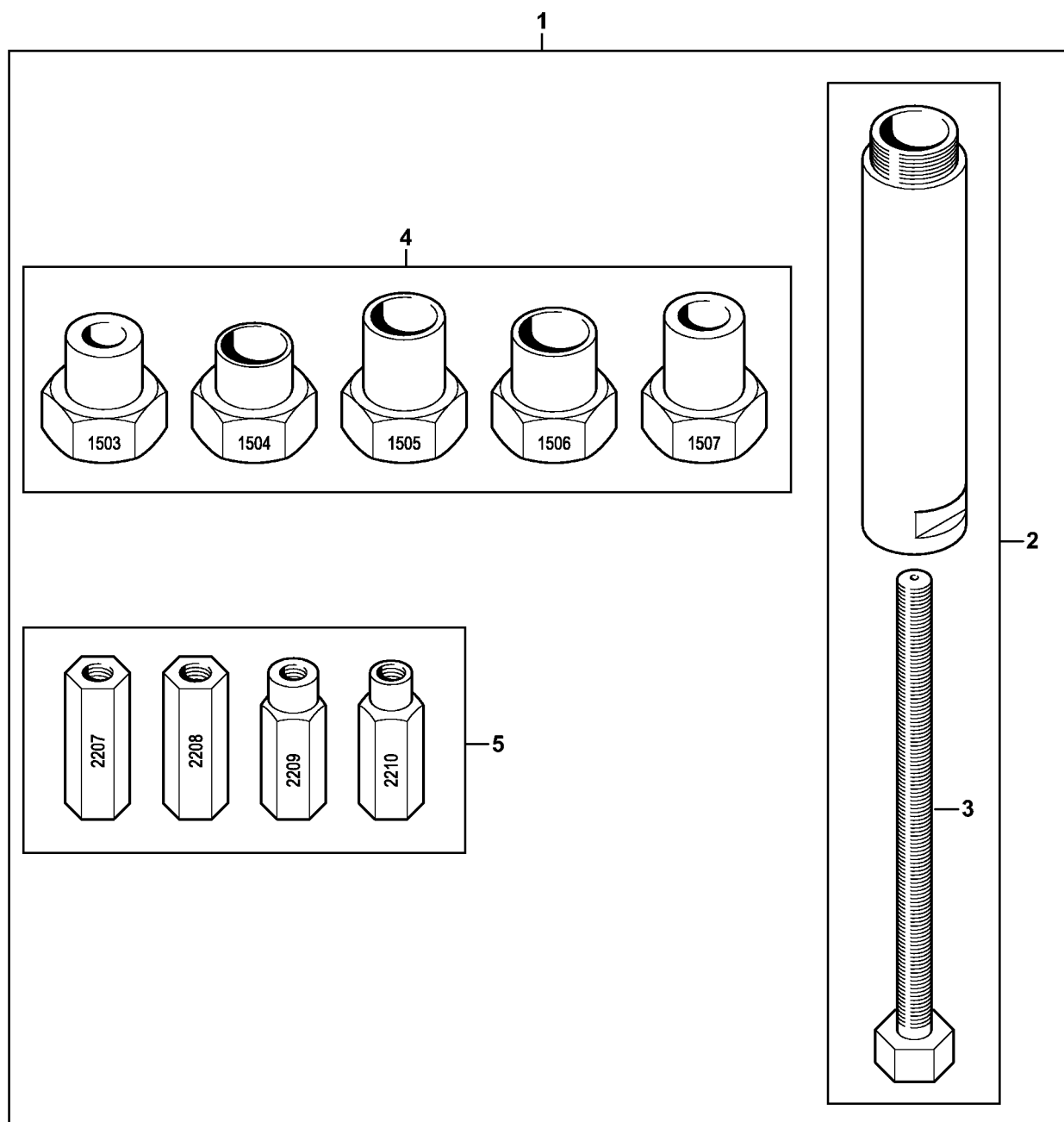


5610-GET-0129-A0

Installing tool AS

#	Part Number	Description	Quantity	Contains Item(s)	Remarks
1	5910 850 5220	Installing tool AS	1	2 - 5	http://stihl.com/sxyRs8
2	5910 890 8401	Spindle AS	1	3	
3	5910 893 8503	Spindle M8x1-LH AS	1		
4	5910 007 1009	Set of screw sleeves AS	1		
5	5910 007 1007	Adapter kit AS	1		

Installing tool LS



9510-GET-0130-A0

Installing tool LS

#	Part Number	Description	Quantity	Contains Item(s)	Remarks
1	5910 850 5221	Installing tool LS	1	2 - 5	http://stihl.com/sxyRs8
2	5910 890 8402	Spindle LS	1	3	
3	5910 893 8504	Spindle M8x1 LS	1		
4	5910 007 1008	Adapter kit LS	1		
5	5910 007 1010	Set of screw sleeves LS	1		