

# MS 230

Spare Parts List

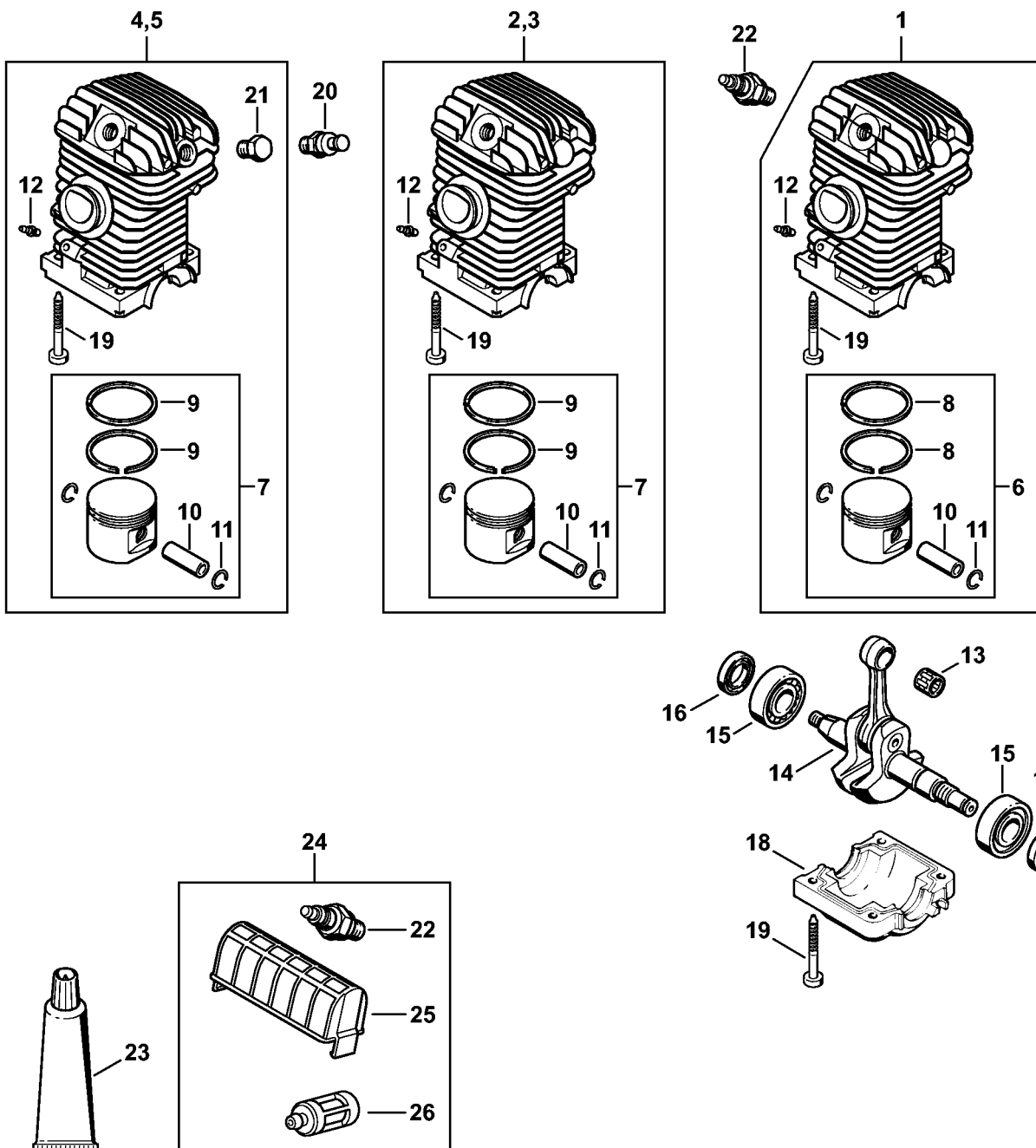
02/08/2023

Indonesia, English

## Contents

Engine .....	2	Stud puller, M8 .....	63
Motor housing .....	4	Socket, 13 mm .....	65
Oil pump .....	6	Socket, 19 mm .....	67
Clutch .....	8	Assembly hook .....	69
Hand guard, Chain brake .....	10	Sleeve .....	71
Muffler .....	12	Sleeve .....	73
Ignition system .....	14	Locking strip .....	75
Fan housing with rewind starter .....	16	Torque wrench with optical/acoustic signal .....	77
Air filter .....	18	Torque wrench .....	79
Handle housing .....	20	Torque wrench with optical/acoustic signal .....	81
Carburetor C1QS84, C1Q-100335 .....	23	Torque wrench .....	83
Carburetor WT-215, WT-286 (17.2003) .....	26	Jaw (profile No. 6) .....	85
Tools, Extras .....	29	Assembly stand .....	87
Serial number .....	31	Clamping plate .....	89
Miscellaneous lubricants and greases .....	33	Installing tool, 10 .....	91
Cleaning products .....	35	Puller .....	93
Nipple .....	37	Installer .....	95
Assembly drift .....	39	Installer .....	97
Press sleeve .....	41	Puller .....	99
Guide .....	43	Puller .....	101
Sealing plate .....	45	Installing tool .....	103
Socket, T27x125 .....	47	Nipple .....	105
Hose 135 mm / 5 5/16" .....	49	Testing tool kit .....	107
Setting gauge .....	51	Pump .....	109
Installing tool .....	53	Stud puller, M8-7,5 .....	111
Assembly tube .....	55	Screwdriver, T27x150 .....	113
Flange .....	57	Setting gauge .....	115
Clip .....	59		
Flange .....	61		

# Engine

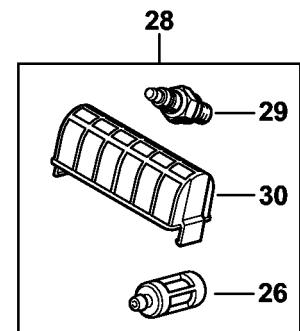
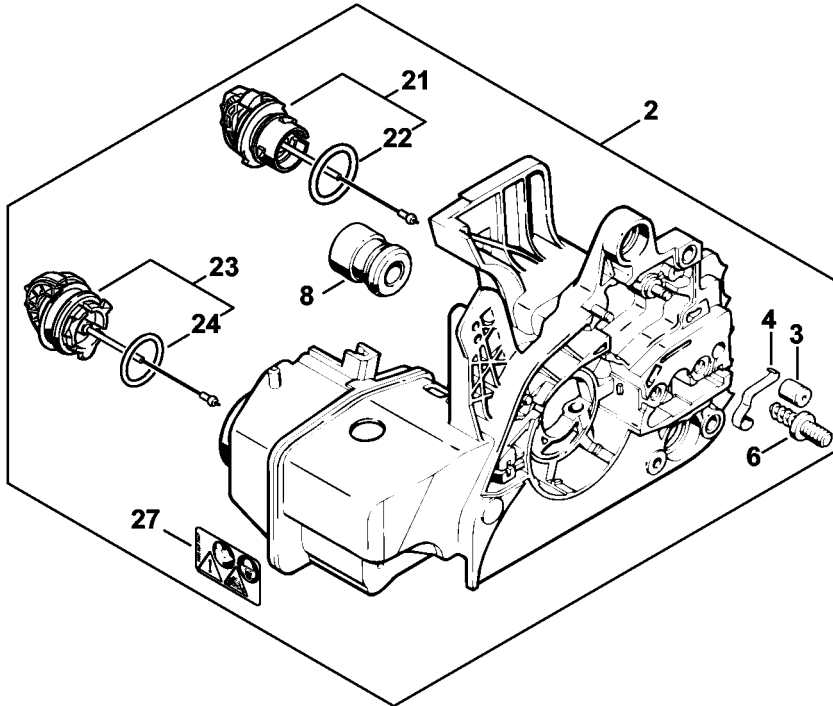
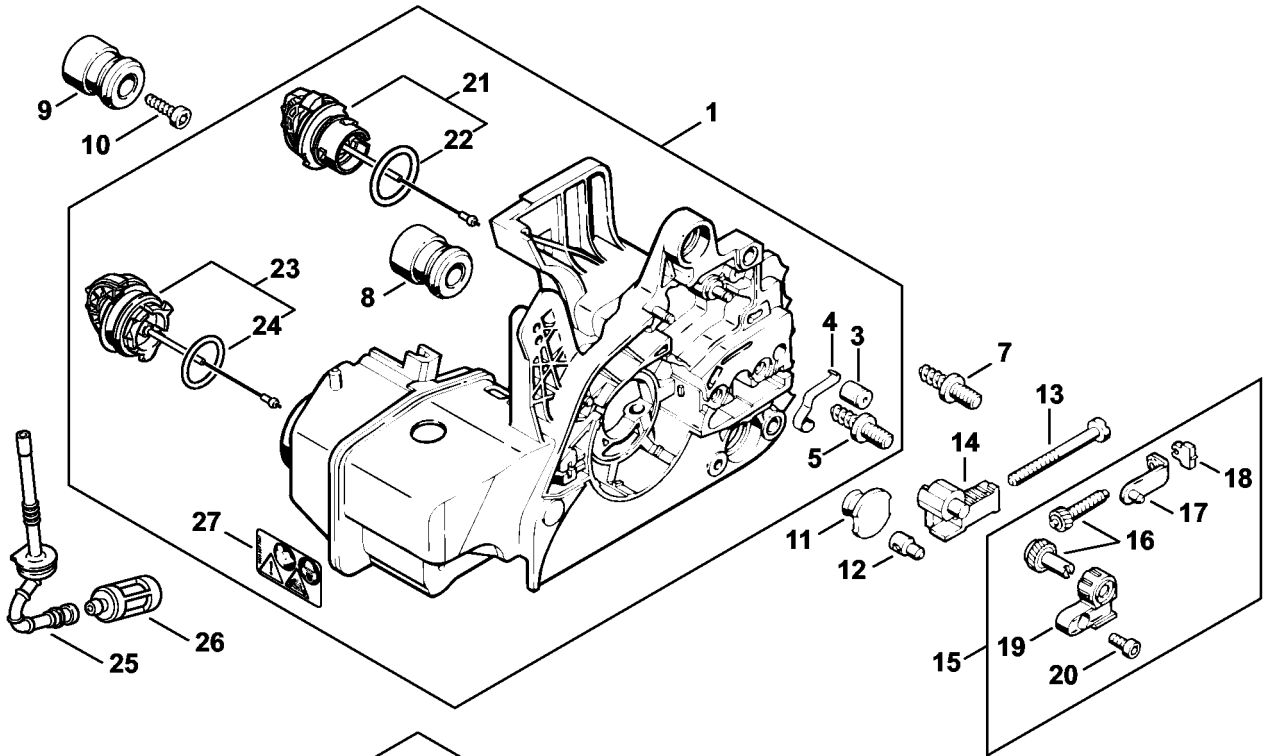


1123-GET-0074-A0

# Engine

#	Part Number	Description	Quantity	Contains Item(s)	Remarks
1	1123 020 1228	Cylinder with piston Ø 42.5 mm	1	6, 8, 10 - 12, 19	Europe
2	1123 020 1223	Cylinder with piston Ø 40 mm	1	7, 9 - 12, 19	
4	1123 020 1224	Cylinder with piston Ø 40 mm	1	7, 9 - 12, 19, 21	Easy start version
6	1123 030 2016	Piston Ø 42.5 mm	1	8, 10, 11	Europe
7	1123 030 2019	Piston Ø 40 mm	1	9 - 11	
8	1123 034 3006	Piston ring Ø 42.5x1.2 mm	2		Europe
9	1123 034 3005	Piston ring Ø 40x1.2 mm	2		
10	4119 034 1500	Piston pin 10x6.5x28	1		
11	9463 650 1000	Snap ring 10	2		
12	0000 988 5211	Connector	1		
13	9512 003 2250	Needle cage 10x13x12.5	1		
14	1123 030 0408	Crankshaft	1		
15	9503 003 0340	Grooved ball bearing 6202	2		
16	9638 003 1581	Oil seal 15x25x5	2		
16	9639 003 1585	Oil seal 15x25x5	2		
17	9468 621 1520	Circlip 15x1	1		
18	1123 021 2500	Engine pan	1		
19	9075 478 4195	Pan head self-tapping screw IS-D5.3x41	4		
20	1123 020 9400	Decompression valve	1		Easy start version
21	1122 025 2200	Plug	1		Easy start version
22	1110 400 7005	Spark plug Bosch WSR 6 F	1		
22	0000 400 7000	Spark plug NGK BPMR7A	1		
23	0783 830 2000	Tube of sealant HT red	1		

# Motor housing

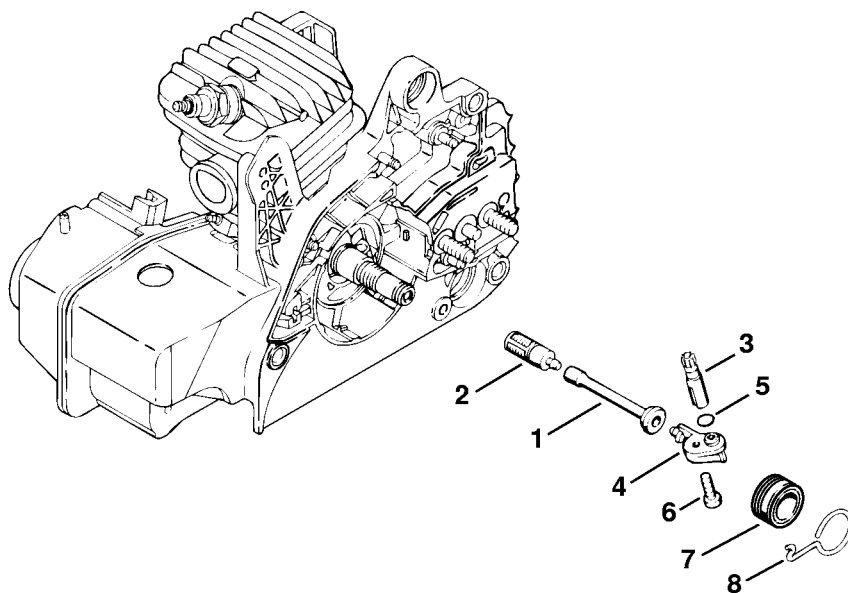


1123-GET-0057-A0

# Motor housing

#	Part Number	Description	Quantity	Contains Item(s)	Remarks
1	1123 020 3033	Engine housing	1	3 - 5, 8, 21 - 24, 27	
3	1128 640 9100	Valve	1		
4	1123 162 7800	Flat spring	1		
5	1123 664 2400	Collar screw	2		
7	1123 664 2405	Collar screw D9/M8	2		
8	1123 790 9900	Annular buffer	1		
9	1123 790 9900	Annular buffer	2		
10	9075 478 4155	Pan head self-tapping screw IS-D5x24	3		
11	1123 791 7300	Plug	3		
12	1120 664 1500	Tensioning nut	1		
13	1123 664 1605	Adjusting screw	1		
14	1123 664 2205	Cover	1		
15	1123 007 1000	Chain tensioner kit	1	16 - 20	
16	1123 007 1004	Spur gear / chain adjusting screw kit	1		
17	1123 640 1900	Tensioner slide	1		
18	1123 664 1400	Thrust pad	1		
19	1123 664 2200	Cover	1		
20	9075 478 3015	Pan head self-tapping screw IS-D4x15	1		
21	0000 350 0537	Oil filler cap	1	22	
22	9645 948 2470	O-ring 23x3	1		
23	0000 350 0533	Filler cap	1	24	
24	9645 948 7734	O-ring 25x3.5	1		
25	1123 358 7703	Hose	1		
26	0000 350 3500	Pickup body	1		
27	0000 967 7247	Warning pictogram MS	1		

# Oil pump

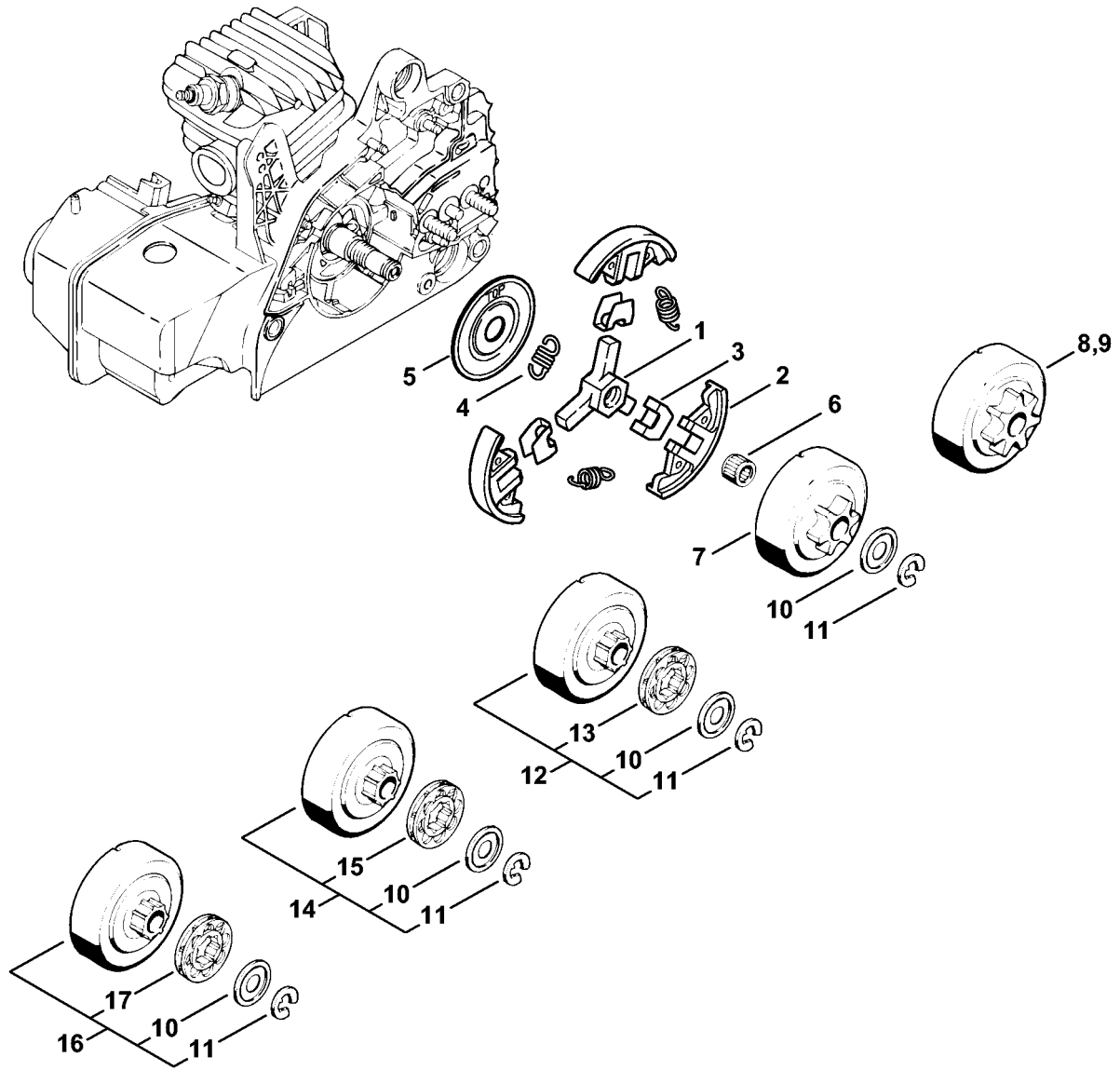


135ET041 SC

# Oil pump

#	Part Number	Description	Quantity	Contains Item(s)	Remarks
1	1123 647 9400	Hose	1		
2	1123 640 3800	Pickup body	1		
3	1123 640 3200	Oil pump 0.55	1		
4	1123 640 2901	Connector	1	5	
5	9646 945 0355	O-ring 6.1x1.6	1		
6	9074 478 4130	Pan head self-tapping screw IS-P5x16	1		
7	1123 640 7102	Worm gear	1	8	
8	1123 647 2400	Spring	1		

# Clutch

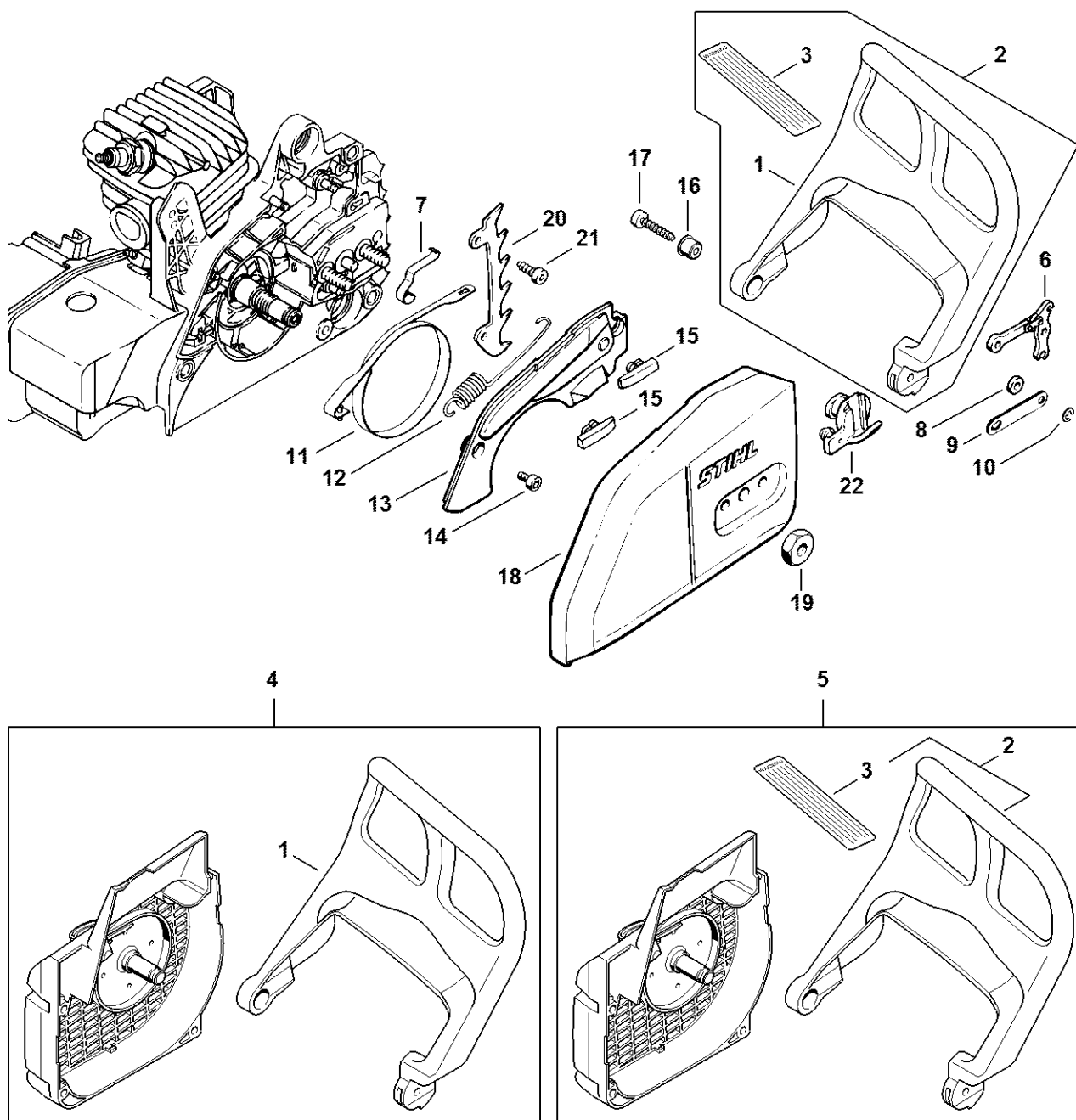


1123-GET-0005-A0



#	Part Number	Description	Quantity	Contains Item(s)	Remarks
	1123 160 2050	Clutch	1	1 - 5	
<b>1</b>	1121 162 3201	Carrier	1		
<b>2</b>	1129 162 0800	Clutch shoe	3		
<b>3</b>	1127 162 3000	Retainer	3		
<b>4</b>	0000 997 5515	Tension spring	3		
<b>5</b>	1121 162 1001	Cover washer	1		
<b>6</b>	9512 933 2260	Needle cage 10x13x10	1		
<b>7</b>	1123 640 2073	Chain sprocket 3/8" Picco 6T	1		
<b>9</b>	1123 640 2072	Chain sprocket 3/8" Picco 7T	1		
	1123 640 2077	Chain sprocket 1/4" 8T	1		Carving
	1123 640 2076	Chain sprocket 0.325" 8T	1		
<b>10</b>	0000 958 1022	Washer Ø 27 mm	1		
<b>11</b>	9460 624 0801	E-clip 8x1.3	1		
<b>12</b>	1123 007 1030	Rim sprocket kit 3/8" Picco 7T	1	10, 11, 13	
<b>13</b>	0000 642 1240	Rim sprocket 3/8" Picco 7T	1		
<b>14</b>	1123 007 1031	Rim sprocket kit 0.325" 8T	1	10, 11, 15	
<b>15</b>	0000 642 1234	Rim sprocket 0.325" 8T	1		
<b>16</b>	1123 007 1032	Rim sprocket kit 0.325" 7T	1	10, 11, 17	
<b>17</b>	0000 642 1236	Rim sprocket 0.325" 7T	1		

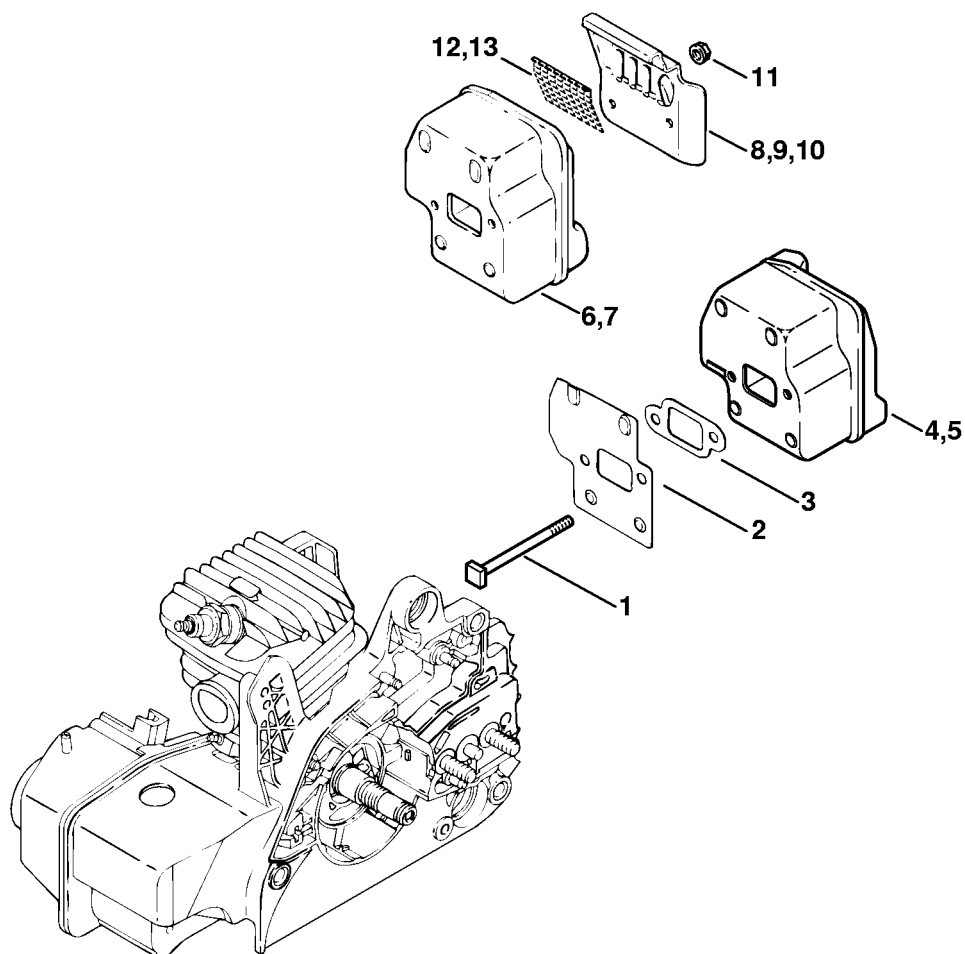
# Hand guard, Chain brake



1123-GET-0077-AD

# Hand guard, Chain brake

#	Part Number	Description	Quantity	Contains Item(s)	Remarks
1	1123 790 9152	Hand guard	1		
4	1123 080 1818	Fan housing	1	1	
6	1121 160 5000	Lever	1		
7	1123 162 7800	Flat spring	1		
8	0000 958 0521	Washer	1		
9	1123 162 5800	Strap	1		
10	9460 624 0400	E-clip 4	1		
11	1123 160 5400	Brake band	1		
12	1123 162 7902	Tension spring	1		
13	1123 021 1100	Cover	1		
14	9075 478 3015	Pan head self-tapping screw IS-D4x15	2		
15	1123 648 6600	Bumper strip	2		
16	1127 791 7200	Sleeve	1		
17	9075 478 4155	Pan head self-tapping screw IS-D5x24	1		
18	1123 640 1704	Chain sprocket cover	1		
19	0000 955 0801	Hexagon nut M8	2		
20	1123 664 0500	Bumper spike	1		
21	9075 478 4115	Pan head self-tapping screw IS-D5x16	2		
22	1123 656 7700	Chain catcher	1		

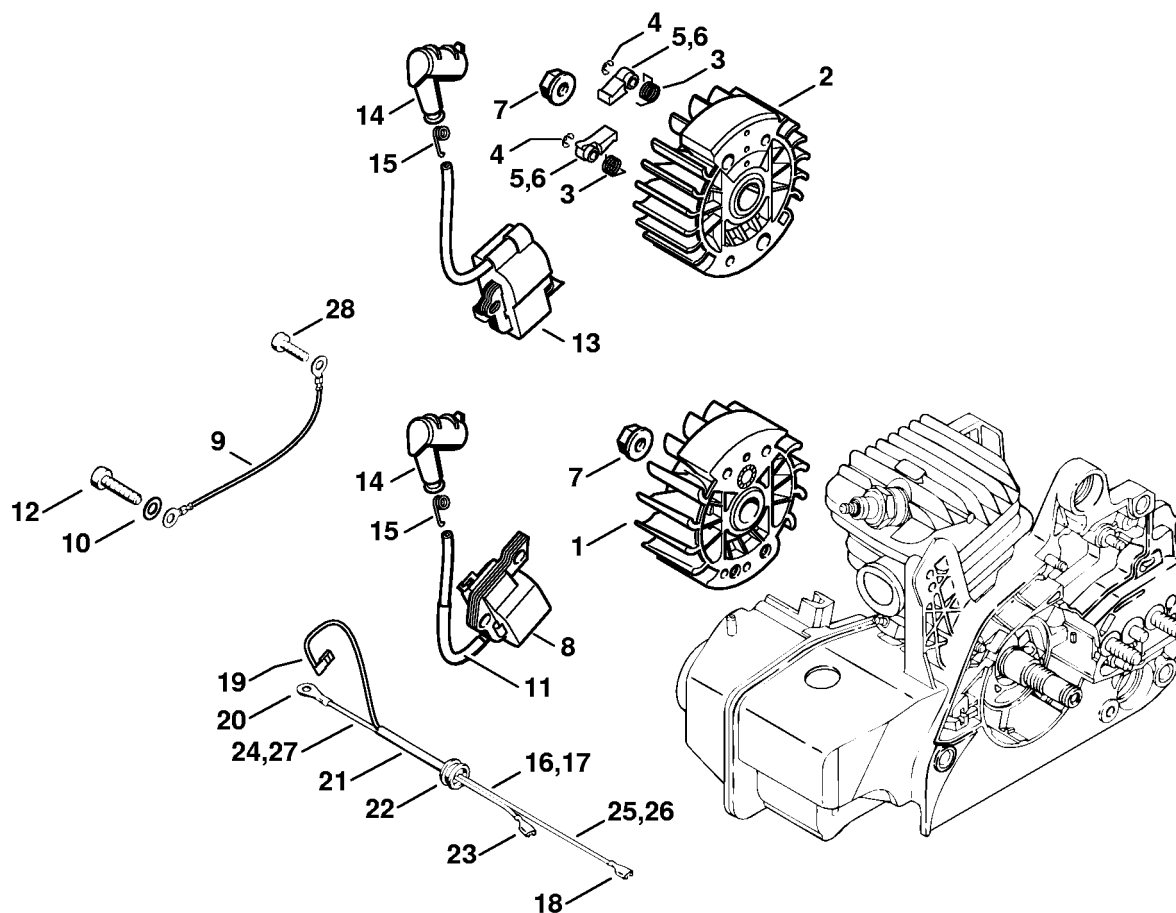


ES11ET008 SC

# Muffler

#	Part Number	Description	Quantity	Contains Item(s)	Remarks
1	1123 148 1201	Screw M5x65	2		
2	1123 141 3200	Cooling plate	1		
3	1123 149 0500	Gasket	1		
4	1123 140 0610	Muffler	1		Europe
5	1123 140 0611	Muffler	1		
11	9216 263 0700	Hexagon nut M5	2		

# Ignition system

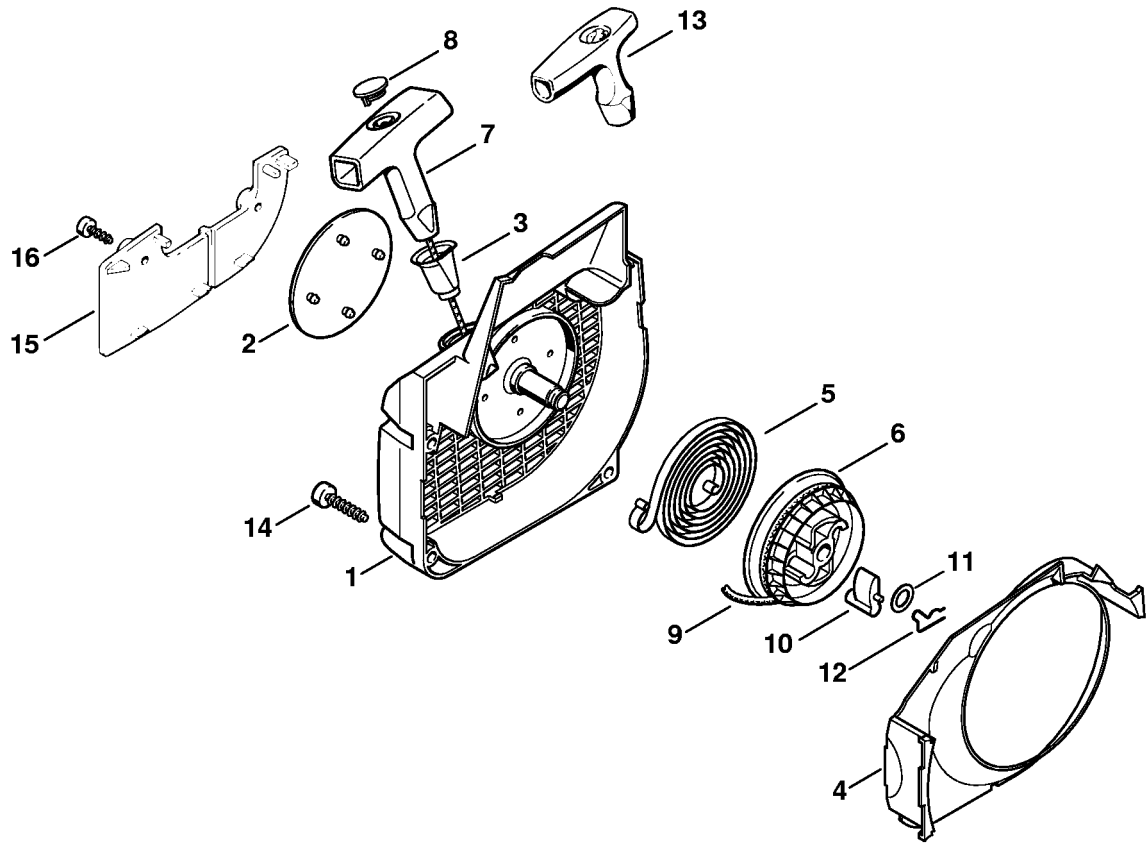


208ET032 SC

# Ignition system

#	Part Number	Description	Quantity	Contains Item(s)	Remarks
1	1123 400 1203	Flywheel	1		
7	0000 955 0802	Collar nut M8x1	1		
8	0000 400 1306	Ignition module	1	9, 10	
9	1123 440 2200	Ground wire	1		
10	9291 021 0121	Washer 5.3	2		
11	1123 442 0401	Insulating hose	1		
12	9075 478 4155	Pan head self-tapping screw IS-D5x24	2		
14	1128 405 1000	Spark plug boot	1		
15	0000 998 0604	Spark plug contact spring	1		
16	1123 440 3001	Wiring harness	1	18 - 25	
18	0751 030 8957	Terminal socket 4.8-1/0.8	1		
19		Terminal socket	1		
20	0751 030 8950	Terminal socket A 4-1	1		
21	1123 442 0400	Shrink-on tube	1		
22	0000 989 0814	Grommet	1		
23	0751 030 8955	Terminal socket 4.8-1/0.4	1		
24		Lead 160 mm / 6.3"	1		
25		Lead 250 mm / 9.8"	1		
	0751 010 1110	Cable 10 m	1		
28	9075 478 3015	Pan head self-tapping screw IS-D4x15	1		

# Fan housing with rewind starter



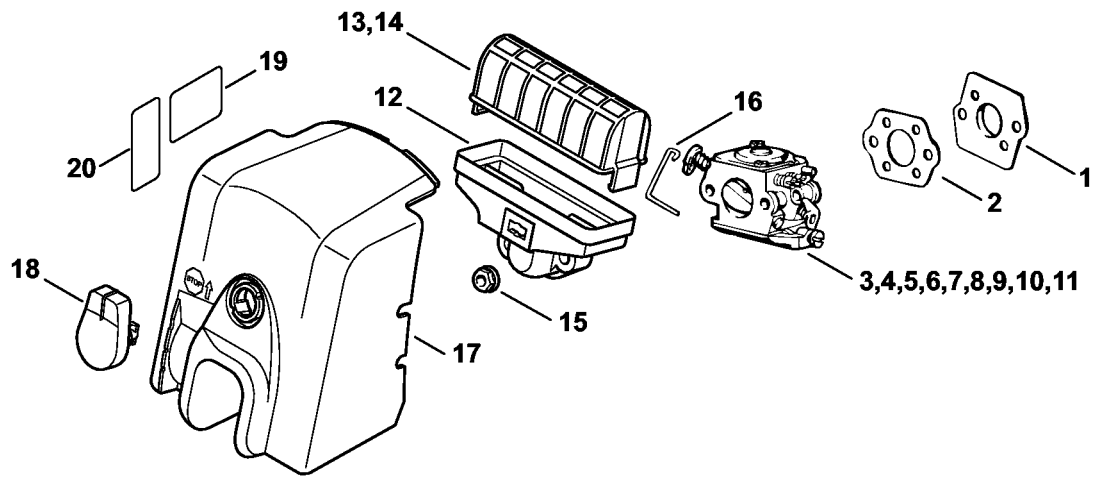
208ET025 SC



# Fan housing with rewind starter

#	Part Number	Description	Quantity	Contains Item(s)	Remarks
	1123 080 2115	Fan housing with rewind starter	1	1 - 12	
1	1123 080 1813	Fan housing	1	2, 3	
2	1123 967 1512	Model plate MS 230	1		
2	1123 967 1513	Model plate MS 230 C	1		
2	0000 967 1500	Nameplate STIHL	1		
3	1110 084 9102	Bushing	1		
4	1123 084 7800	Segment	1		
5	1129 190 0601	Rewind spring	1		
6	1123 195 0400	Rope rotor	1		
7	0000 190 3402	Starter grip ElastoStart Ø 3 mm	1	8, 9	
8	0000 195 7001	Cap	1		
9	0000 195 8200	Starter rope Ø 3x800 mm	1		
	0000 930 2208	Starter rope Ø 3 mm x 30.5 m	1		
	0000 930 2211	Starter rope Ø 3 mm x 60.8 m	1		
10	1125 195 7200	Pawl	1		
11	0000 958 0923	Washer	1		
12	1118 195 3500	Spring	1		
13	1121 195 3400	Starter grip	1		
14	9075 478 4155	Pan head self-tapping screw IS-D5x24	4		
	1123 007 1009	Intake air preheating kit	1	15, 16	
15	1123 084 8201	Cover plate	1	16	
16	9099 021 2770	Self-tapping screw 3.9x13	2		

# Air filter

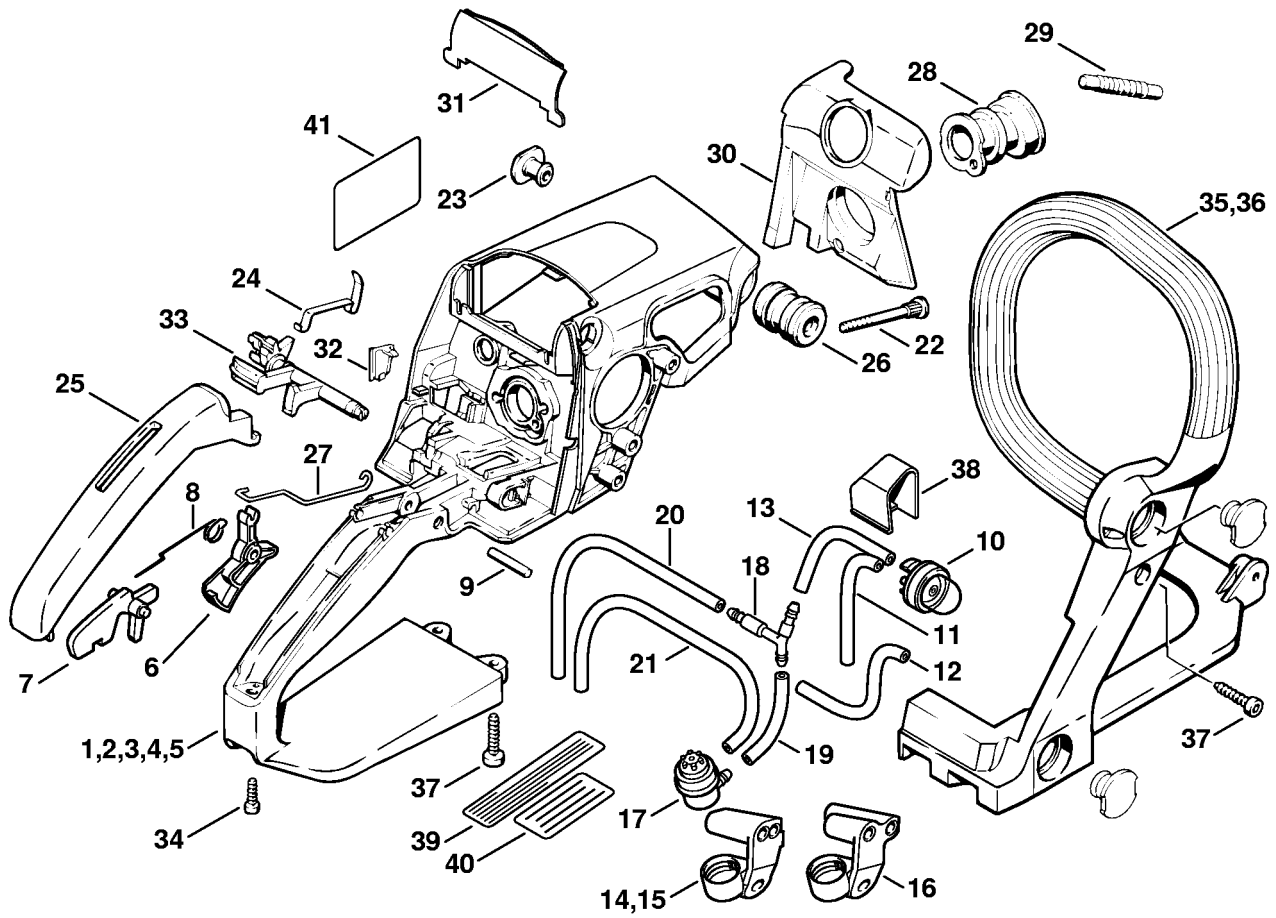


530ET016 SC

# Air filter

#	Part Number	Description	Quantity	Contains Item(s)	Remarks
1	1123 141 2000	Shim	1		
2	1123 129 0900	Gasket	1		
5	1123 120 0631	Carburetor C1Q-100335G	1		
6	1123 120 0606	Carburetor C1Q-S84H	1		Easy start version
8	1123 120 0605	Carburetor WT-215	1		
9	1123 120 0615	Carburetor WT-286B	1		Easy start version
	1123 120 1650	Air filter	1	12, 13, 15	
12		Filter housing	1		
13	1123 120 1612	Air filter	1		
15	9216 261 0700	Hexagon nut M5	2		
16	1123 185 2000	Choke rod	1		
17	1123 140 1902	Carburetor box cover	1	18	
18	1123 141 2301	Twist lock	1		
19	0000 967 4058	Warning pictogram Filler cap	1		
20	0000 967 3605	Warning pictogram Filler cap	1		USA

# Handle housing



208ET034 AM

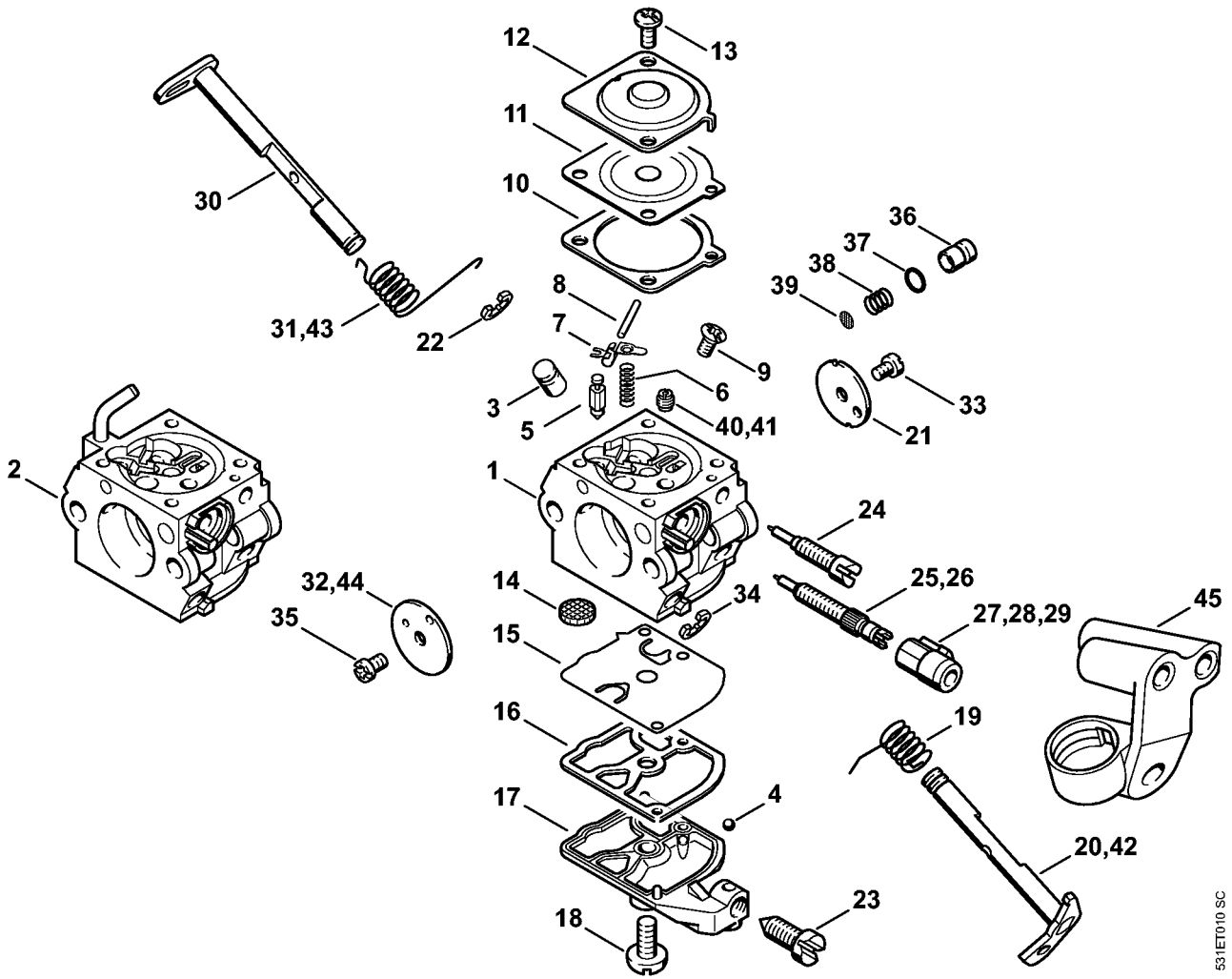
# Handle housing

#	Part Number	Description	Quantity	Contains Item(s)	Remarks
1	1123 790 1022	Handle housing	1	22	
2	1123 790 1004	Handle housing	1	22	Easy start version
4	1123 790 1017	Handle housing	1	22	
6	1128 182 1005	Throttle trigger	1		
7	1117 182 0805	Lockout lever	1		
8	1117 182 4500	Torsion spring	1		
9	9371 470 2640	Cylindrical pin 5x24	1		
10	4130 350 6200	Fuel pump	1		Easy start version
11		Hose 2.2x5.4x68 mm, R1	1		Easy start version
12		Hose 2.2x5.4x100 mm, R1	1		Easy start version
13		Hose 2.2x5.4x38 mm, R1	1		Easy start version
	0000 930 2802	Hose 2.2x5.4 mm x 1 m, R1	1		
14	1123 123 7503	Grommet	1		BR
15	1123 123 7503	Grommet	1		
16	1123 123 7504	Grommet	1		
17	0000 350 5802	Tank vent	1		
18	1123 353 2700	Connector	1		
19		Hose 3.1x5.7x48 mm, R3	1		Easy start version
20		Hose 3.1x5.7x106 mm, R3	1		Easy start version
21		Hose 3.1x5.7x166 mm, R3	1		
	0000 930 2803	Hose 3.1x5.7 mm x 1 m, R3	1		
22	1125 122 6600	Collar screw	2		
23	1123 791 7310	Plug	1		
24	1123 442 1602	Contact spring	1		
25	1123 791 0600	Handle molding	1		
26	1123 791 2805	Annular buffer	1		
27	1123 182 1505	Throttle rod	1		

# Handle housing

#	Part Number	Description	Quantity	Contains Item(s)	Remarks
28	1123 141 2200	Manifold	1		
29	1123 141 8600	Impulse hose	1		
30	1123 141 5600	Baffle plate	1		
31	1123 141 4001	Slide	1		
32	1123 791 7500	Cover	1		
33	1123 182 0901	Switch shaft	1		
34	9075 478 3015	Pan head self-tapping screw IS-D4x15	1		
35	1123 791 1702	Handlebar	1		
37	9075 478 4155	Pan head self-tapping screw IS-D5x24	3		
38	1123 353 7000	Cover	1		Easy start version
39	0000 967 3579	Instruction label (Spanish)	1		USA
40		Instruction label	1		BR

# Carburetor C1QS84, C1Q-100335



531ET010 SC

# Carburetor C1QS84, C1Q-100335

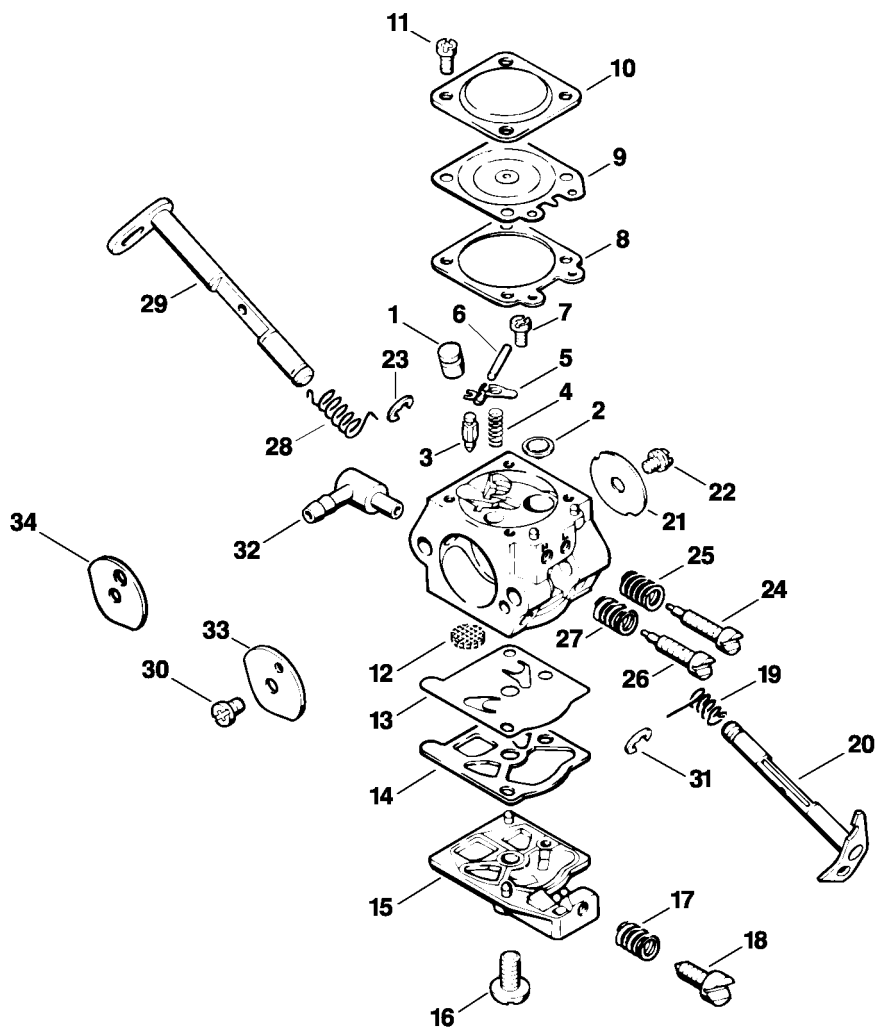
#	Part Number	Description	Quantity	Contains Item(s)	Remarks
1	1123 120 0631	Carburetor C1Q-100335G	1	3 - 25, 27, 30 - 40, 45	
2	1123 120 0606	Carburetor C1Q-S84H	1	3 - 19, 21 - 25, 28, 30, 33 - 39, 41 - 44	Easy start version
3	1123 121 5401	Valve jet	1		
4	1125 122 4200	Clamp	1		
5	Z000 018 Z000	Inlet needle	1		
6	1129 122 3001	Spring	1		
7	1125 121 5000	Inlet control lever	1		
8	1120 121 9200	Spindle	1		
9	1120 122 6600	Collar screw	1		
10	1123 129 0901	Metering gasket	1		
11	1123 121 4700	Metering diaphragm	1		
12	1123 121 0801	End cover	1		
13	4132 122 6600	Collar screw	2		
14	1123 121 7800	Strainer	1		
15	1129 121 4800	Pump diaphragm	1		
16	1123 129 0905	Pump gasket	1		
17	1123 121 0800	End cover	1		
18	1120 122 7800	Oval head screw	1		
19	1123 122 3000	Spring	1		
20	1123 120 7103	Throttle shaft with lever	1		
21	1123 121 3303	Throttle shutter	1		
22	1125 122 9001	E-clip	1		
23	1123 122 6200	Idle speed screw	1		
24	1129 122 6802	Low speed screw	1		
25	Z000 030 Z045	High speed screw	1		



# Carburetor C1QS84, C1Q-100335

#	Part Number	Description	Quantity	Contains Item(s)	Remarks
26	1123 122 6701	High speed screw	1		
27	4229 121 2701	Cap	1		
28	1123 121 2700	Cap	1		
29	1129 121 2701	Cap	1		
30	1123 120 7200	Choke shaft with lever	1		
31	1123 122 3203	Torsion spring	1		
32	1132 121 2901	Choke shutter	1		
33	1120 122 7400	Round head screw	1		
34	1125 122 9002	E-clip	1		
35	1125 122 7403	Round head screw	1		
	1123 120 9701	Pump piston kit	1	36 - 39	
	1139 120 9702	Pump piston kit	1	36 - 39	
36		Pump piston	1		
37		Sealing ring	1		
38		Spring	1		
39	1132 121 7800	Strainer	1		
40	1132 121 5600	Fixed jet 0.48	1		
41	1132 121 5600	Fixed jet 0.48	1		
42	1123 120 7102	Throttle shaft with lever	1		Easy start version
43	1123 122 3202	Torsion spring	1		Easy start version
44	1123 121 2904	Choke shutter	1		Easy start version
45	1123 123 7507	Grommet	1		
	1123 007 1060	Carburetor parts kit	1	10, 11, 15, 16	

# Carburetor WT-215, WT-286 (17.2003)



135ET015

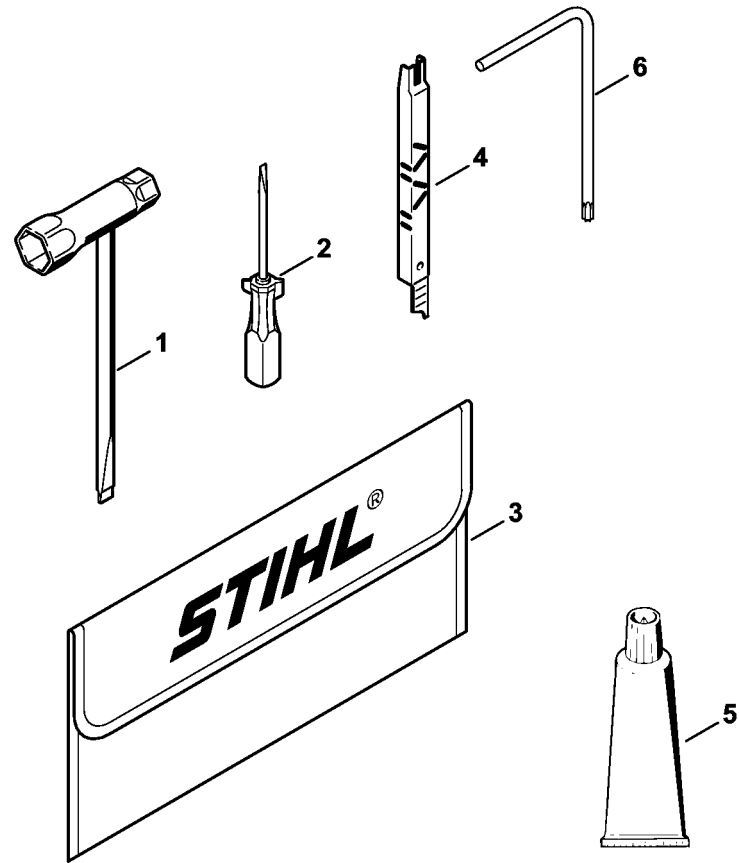
# Carburetor WT-215, WT-286 (17.2003)

#	Part Number	Description	Quantity	Contains Item(s)	Remarks
	1123 120 0605	Carburetor WT-215	1	1 - 33	
	1123 120 0615	Carburetor WT-286B	1	1 - 32, 34	Easy start version
<b>1</b>	1115 121 5401	Valve jet	1		
<b>2</b>	4117 122 9402	Plug	1		
<b>3</b>	4116 121 5100	Inlet needle	1		
<b>4</b>	1120 122 3001	Spring	1		
<b>5</b>	1113 121 5000	Inlet control lever	1		
<b>6</b>	1113 121 9200	Spindle	1		
<b>7</b>	1114 122 7400	Round head screw	1		
<b>8</b>	1120 129 0900	Gasket	1		
<b>9</b>	1113 121 4705	Metering diaphragm	1		
<b>10</b>	1113 121 0800	End cover	1		
<b>11</b>	1106 122 7400	Round head screw	4		
<b>12</b>	1114 121 7800	Strainer	1		
<b>13</b>	1121 121 4801	Pump diaphragm	1		
<b>14</b>	1120 129 0905	Gasket	1		
<b>15</b>	1123 121 0802	End cover	1		
<b>16</b>	1114 122 7100	Screw	1		
<b>17</b>	4117 122 3006	Spring	1		
<b>18</b>	1123 122 6201	Idle speed screw	1		
<b>19</b>	1113 122 3205	Torsion spring	1		
<b>20</b>	1123 120 7101	Throttle shaft with lever	1		
<b>21</b>	1123 121 3301	Throttle shutter	1		
<b>22</b>	1115 122 7400	Round head screw	1		
<b>23</b>	1117 122 9000	E-clip	1		
<b>24</b>	1123 122 6801	Low speed screw	1		
<b>25</b>	1115 122 3002	Spring	1		

# Carburetor WT-215, WT-286 (17.2003)

#	Part Number	Description	Quantity	Contains Item(s)	Remarks
26	1118 122 6700	High speed screw	1		
27	4117 122 3007	Spring	1		
28	1123 122 3201	Torsion spring	1		
29	1123 120 7201	Choke shaft with lever	1		
30	1110 122 7400	Round head screw	1		
31	1123 122 9000	E-clip	1		
32	1123 122 3900	Elbow connector	1		
33	1123 121 2901	Choke shutter	1		
34	1123 121 2902	Choke shutter	1		Easy start version
	1123 007 1061	Set of carburetor parts	1	8, 9, 13, 14	

# Tools, Extras

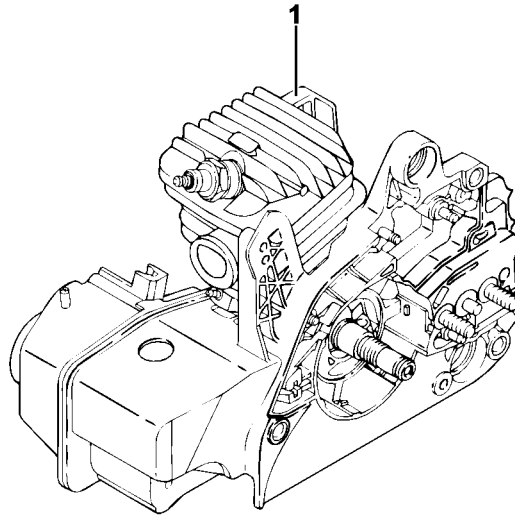


1123-GET-0001-A0

# Tools, Extras

#	Part Number	Description	Quantity	Contains Item(s)	Remarks
1	1129 890 3401	Combination wrench	1		
2	0000 890 2300	Screwdriver	1		
3	0000 891 0810	Tool roll	1		
4	1110 893 4000	Filing gauge	1		
5	0783 830 2000	Tube of sealant HT red	1		
6	0812 370 1000	Screwdriver T27x120x70	1		
	0751 010 1110	Cable 10 m	1		

# Serial number



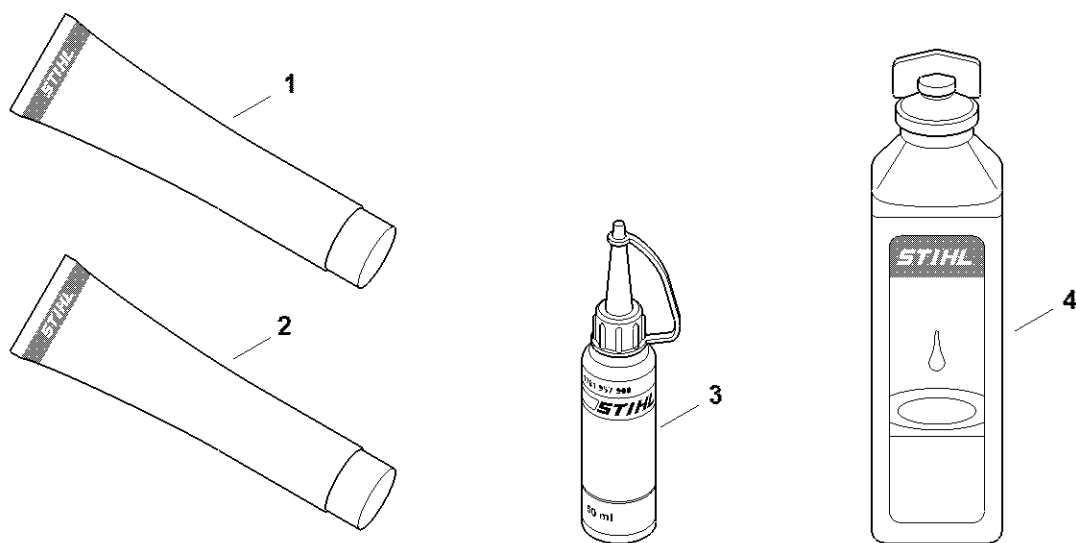
531ET008 SC

# Serial number

#	Part Number	Description	Quantity	Contains Item(s)	Remarks
1		Position of serial number	1		



# Miscellaneous lubricants and greases

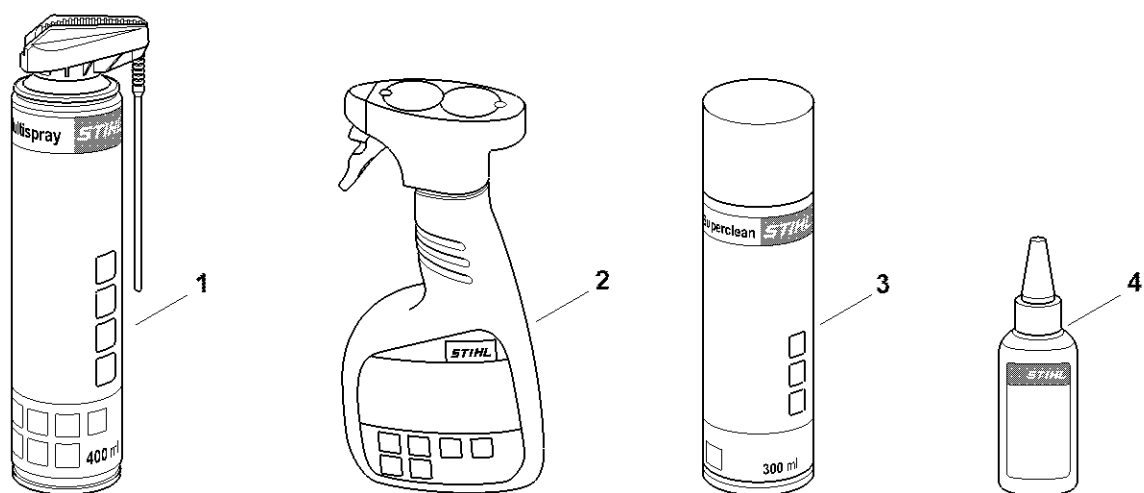


0000-GET-0189-A0

# Miscellaneous lubricants and greases

#	Part Number	Description	Quantity	Contains Item(s)	Remarks
1	0781 120 1021	STIHL Multilub 40g tube	1		
1	0781 120 1109	Multipurpose grease 80 g	1		
1	0781 120 1110	Multipurpose grease 225 g	1		
2	0783 830 2000	Tube of sealant HT red	1		
3	0781 957 9000	Press fluid OH 723	1		
4	0781 319 8401	HP 100ml	1		
4	0781 319 8052	HP Super 100ml	1		
4	0781 319 8060	HP Ultra 100ml	1		

# Cleaning products

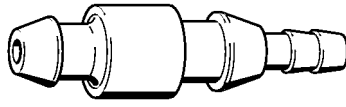


0000-GET-0171-A0

# Cleaning products

#	Part Number	Description	Quantity	Contains Item(s)	Remarks
1	0730 411 7002	Multispray 50 ml	1		
1	0730 411 7000	Multispray	1		
2	0000 881 9400	VarioClean 500 ml	1		
2	0000 881 9409	Special cleaner 5 l	1		
3	0782 420 1001	SuperClean 50 ml	1		
3	0782 420 1002	SuperClean 300 ml	1		
4	0782 516 8500	Multioil Bio 50 ml	1		

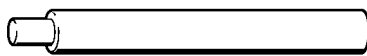
# Nipple



901SW008 GM

# Nipple

#	Part Number	Description	Quantity	Contains Item(s)	Remarks
	0000 855 9200	Nipple	1		



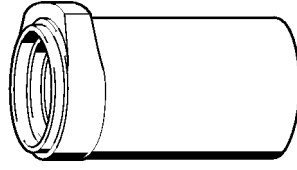
901SW04-1 GM

# Assembly drift

#	Part Number	Description	Quantity	Contains Item(s)	Remarks
	1111 893 4700	Assembly drift	1		



# Press sleeve



901SW068 GM

# Press sleeve

#	Part Number	Description	Quantity	Contains Item(s)	Remarks
	1123 893 2400	Press sleeve	1		



901SW069 GM

# Guide

#	Part Number	Description	Quantity	Contains Item(s)	Remarks
	1123 894 7700	Guide	1		

# Sealing plate

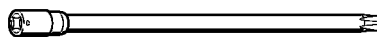


901 SW078 GM

# Sealing plate

#	Part Number	Description	Quantity	Contains Item(s)	Remarks
	0000 855 8106	Sealing plate	1		

# Socket, T27x125



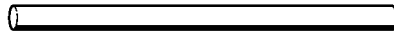
901SW091 GM

# Socket, T27x125

#	Part Number	Description	Quantity	Contains Item(s)	Remarks
	0812 542 2104	Driver bit, 1/4" square drive, T27x125	1		



# Hose 135 mm / 5 5/16"

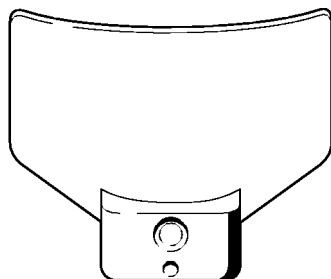


901SW100 GM

# Hose 135 mm / 5 5/16"

#	Part Number	Description	Quantity	Contains Item(s)	Remarks
	1110 141 8600	Hose 135 mm / 5 5/16"	1		

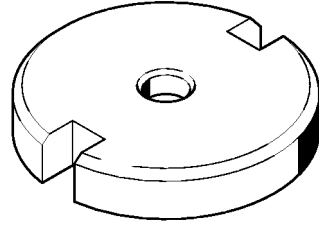
# Setting gauge



901SW107 GM

# Setting gauge

#	Part Number	Description	Quantity	Contains Item(s)	Remarks
	1111 890 6400	Setting gauge	1		



901SW11 GM

# Installing tool

#	Part Number	Description	Quantity	Contains Item(s)	Remarks
	1116 893 4800	Installing tool	1		

# Assembly tube



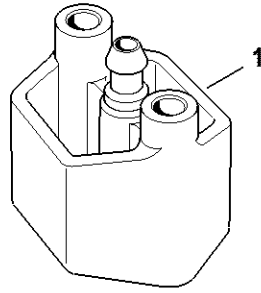
901SW112 GM

# Assembly tube

#	Part Number	Description	Quantity	Contains Item(s)	Remarks
	1117 890 0900	Assembly tube	1		



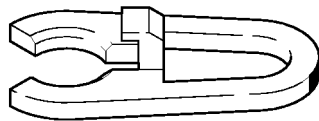
# Flange



5910-GET-0136-A0

# Flange

#	Part Number	Description	Quantity	Contains Item(s)	Remarks
1	1118 850 4200	Flange	1		

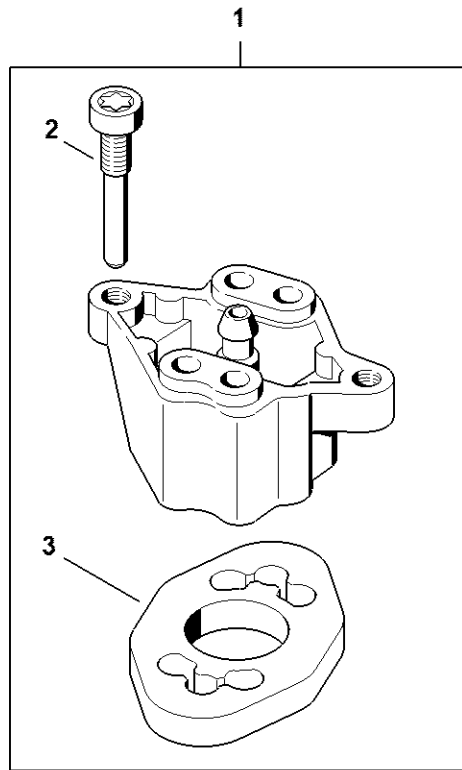


901SW131 GM

# Clip

#	Part Number	Description	Quantity	Contains Item(s)	Remarks
	1123 893 9100	Clip	1		

# Flange

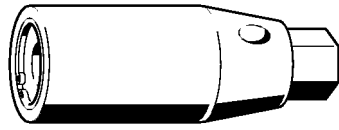


5910-GET-0183-A1

# Flange

#	Part Number	Description	Quantity	Contains Item(s)	Remarks
1	5910 850 4207	Flange	1	2, 3	
2	1128 855 9000	Screw M5x30	1		
3	5910 851 9901	Gasket	1		

# Stud puller, M8



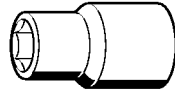
901SW209 GM

# Stud puller, M8

#	Part Number	Description	Quantity	Contains Item(s)	Remarks
	5910 893 0501	Stud puller, M8	1		



# Socket, 13 mm

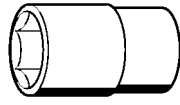


901SW217 GM

# Socket, 13 mm

#	Part Number	Description	Quantity	Contains Item(s)	Remarks
	5910 893 5608	Socket, 13 mm	1		

# Socket, 19 mm



901SW219 GM

# Socket, 19 mm

#	Part Number	Description	Quantity	Contains Item(s)	Remarks
	5910 893 5612	Socket, 19 mm	1		

# Assembly hook

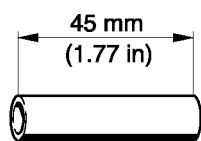


901SW221 GM

# Assembly hook

#	Part Number	Description	Quantity	Contains Item(s)	Remarks
	5910 893 8800	Assembly hook	1		

# Sleeve



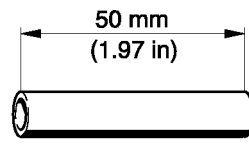
9018W276 KN

# Sleeve

#	Part Number	Description	Quantity	Contains Item(s)	Remarks
	1123 851 8300	Sleeve	1		



# Sleeve



9018W277 KN

# Sleeve

#	Part Number	Description	Quantity	Contains Item(s)	Remarks
	1124 893 7100	Sleeve	1		

# Locking strip

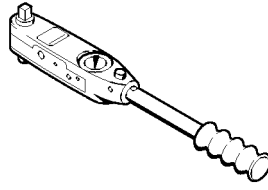


5910-GET-0125-A0

# Locking strip

#	Part Number	Description	Quantity	Contains Item(s)	Remarks
1	0000 893 5903	Locking strip	1		

# Torque wrench with optical/acoustic signal

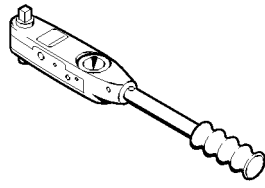


901SW230 KN

# Torque wrench with optical/acoustic signal

#	Part Number	Description	Quantity	Contains Item(s)	Remarks
	5910 890 0312	Torque wrench with optical/acoustic signal	1		

# Torque wrench



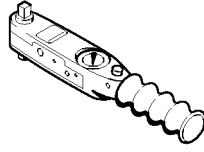
901SW291 KN

# Torque wrench

#	Part Number	Description	Quantity	Contains Item(s)	Remarks
	5910 890 0311	Torque wrench	1		



# Torque wrench with optical/acoustic signal

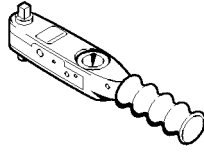


901SW292 KN

# Torque wrench with optical/acoustic signal

#	Part Number	Description	Quantity	Contains Item(s)	Remarks
		Torque wrench	1		

# Torque wrench

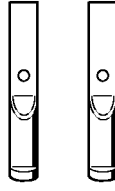


901SW293 KN

# Torque wrench

#	Part Number	Description	Quantity	Contains Item(s)	Remarks
	5910 890 0301	Torque wrench	1		

# Jaw (profile No. 6)

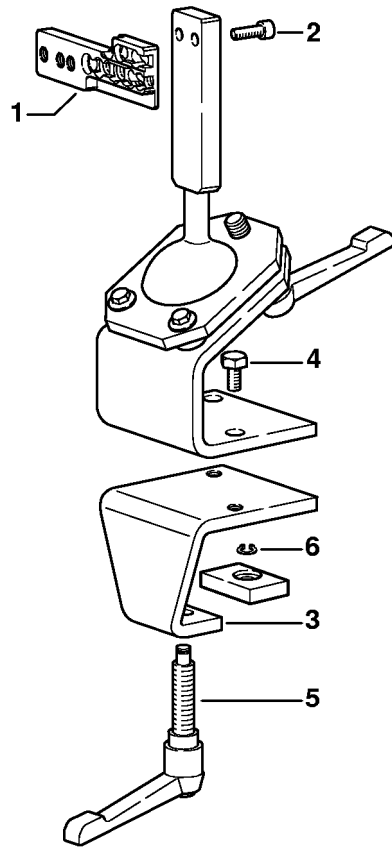


901 SW933 CIM

## Jaw (profile No. 6)

#	Part Number	Description	Quantity	Contains Item(s)	Remarks
	0000 893 3711	Jaw (profile No. 6)	1		

# Assembly stand



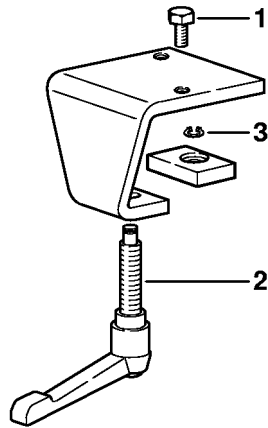
9015W363 SC

# Assembly stand

#	Part Number	Description	Quantity	Contains Item(s)	Remarks
	5910 890 3101	Assembly stand	1	1 - 6	
1	5910 850 1651	Support	1		
2	9045 319 2390	Socket head screw M10x25	2		
3	5910 850 2100	Clamping plate	1	4 - 6	
4	9008 319 2930	Hexagon head screw M12x20	2		
5	5910 890 1901	Clamp lever	1		
6	9455 621 0850	Circlip 10x1	1		



# Clamping plate

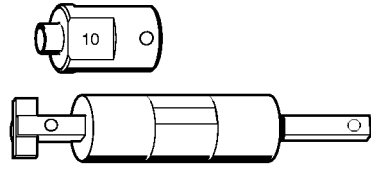


901SW664 SC

# Clamping plate

#	Part Number	Description	Quantity	Contains Item(s)	Remarks
	5910 850 2100	Clamping plate	1	1 - 3	
1	9008 319 2930	Hexagon head screw M12x20	2		
2	5910 890 1901	Clamp lever	1		
3	9455 621 0850	Circlip 10x1	1		

# Installing tool, 10



901SW666 KN

# Installing tool, 10

#	Part Number	Description	Quantity	Contains Item(s)	Remarks
	5910 890 2210	Installing tool, 10	1		
	5910 893 1707	Sleeve	1		

# Puller



901SW575 GM

# Puller

#	Part Number	Description	Quantity	Contains Item(s)	Remarks
	1123 893 1400	Puller	1		



901SW676 GM

# Installer

#	Part Number	Description	Quantity	Contains Item(s)	Remarks
	1123 893 1500	Installer	1		



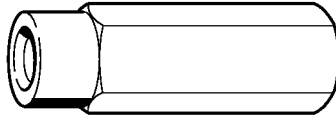


901SW677 GM

# Installer

#	Part Number	Description	Quantity	Contains Item(s)	Remarks
	1123 893 1501	Installer	1		

# Puller

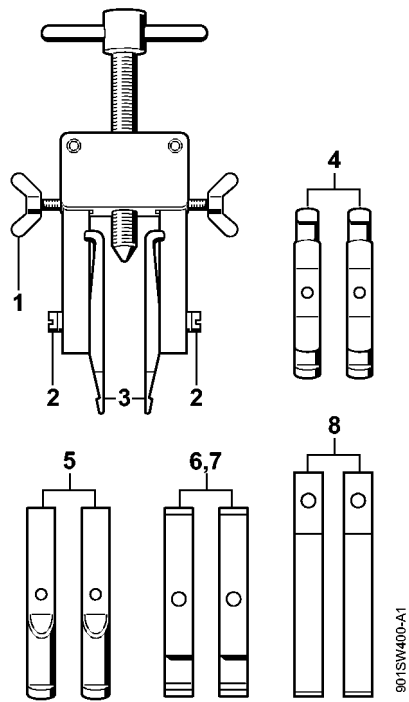


9015W385 KN

# Puller

#	Part Number	Description	Quantity	Contains Item(s)	Remarks
	5910 893 0801	Puller	1		

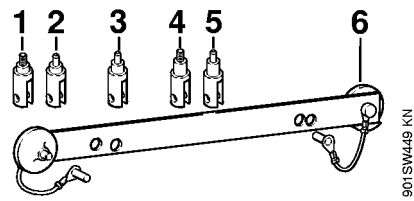
# Puller



# Puller

#	Part Number	Description	Quantity	Contains Item(s)	Remarks
	5910 890 4400	Puller	1	1 - 8	
1	9157 691 0980	Wing screw M5x16	2		
2	9044 319 0980	Pan head screw M5x16	2		
3	0000 893 3700	Jaw (profile No. 1 and 2)	2		
4	0000 893 3706	Jaw (profile No. 3.1 and 4)	2		
5	0000 893 3711	Jaw (profile No. 6)	2		
6	0000 893 3703	Jaw (profile No. 7)	2		
7	0000 893 3704	Jaw (profile No. 8)	2		
8	0000 893 3707	Jaw (profile No. 9)	2		

# Installing tool

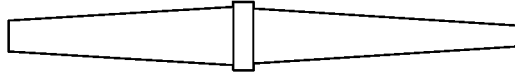


# Installing tool

#	Part Number	Description	Quantity	Contains Item(s)	Remarks
	1123 890 2202	Installing tool	1	1 - 6	
1	1123 893 1400	Puller	1		
2	1123 893 1500	Installer	1		
3	1123 893 1501	Installer	1		
4	1130 893 1400	Puller	1		
5	1130 893 1500	Installer	1		
6	1123 893 7500	Support	1		



# Nipple

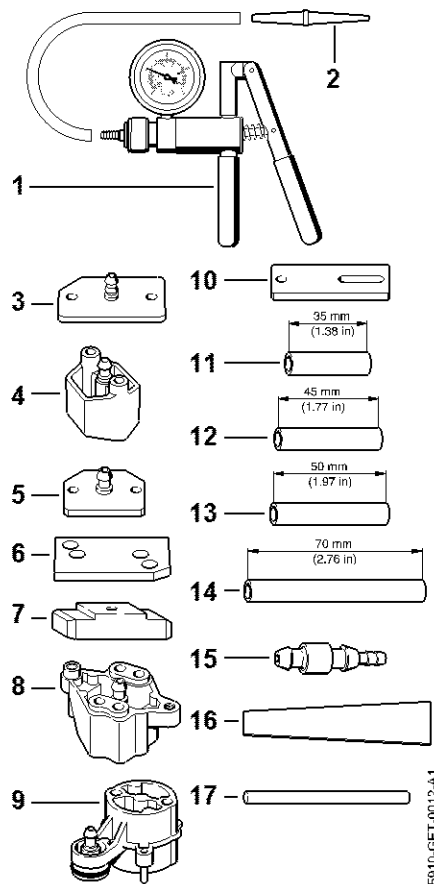


901SW496 GM

# Nipple

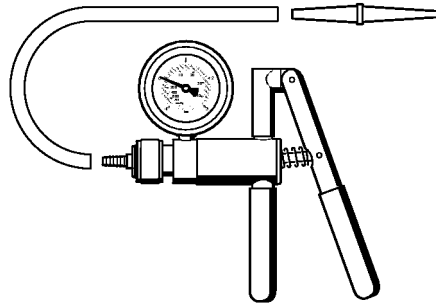
#	Part Number	Description	Quantity	Contains Item(s)	Remarks
	0000 855 9201	Nipple	1		

# Testing tool kit



# Testing tool kit

#	Part Number	Description	Quantity	Contains Item(s)	Remarks
	0000 890 1701	Testing tool kit	1	1 - 17	
1	0000 850 1300	Pump	1	2	
2	0000 855 9201	Nipple	1		
3	1106 850 4201	Flange	1		
4	1118 850 4200	Flange	1		
5	1119 850 4201	Test flange	1		
6	1123 855 4200	Flange	1		
7	1124 850 4205	Flange	1		
8	5910 850 4207	Flange	1		
9	4224 890 1200	Flange	1		
10	5910 855 4206	Flange	1		
11	5910 893 1702	Sleeve	2		
12	1123 851 8300	Sleeve	2		
13	1124 893 7100	Sleeve	2		
14	1127 851 8300	Sleeve	2		
15	0000 855 9200	Nipple	1		
16	0000 855 8106	Sealing plate	1		
17	1110 141 8600	Hose 135 mm / 5 5/16"	1		

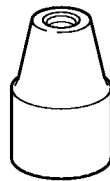


901SW486 GM

# Pump

#	Part Number	Description	Quantity	Contains Item(s)	Remarks
	0000 850 1300	Pump	1		
	0000 855 9201	Nipple	1		
	0000 855 0100	Hose	1		

# Stud puller, M8-7,5



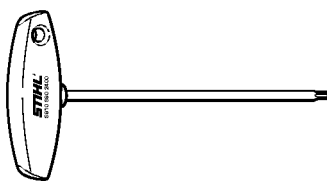
901SW502 GM

# Stud puller, M8-7,5

#	Part Number	Description	Quantity	Contains Item(s)	Remarks
	5910 890 3000	Stud driver M8-7.5	1		



# Screwdriver, T27x150

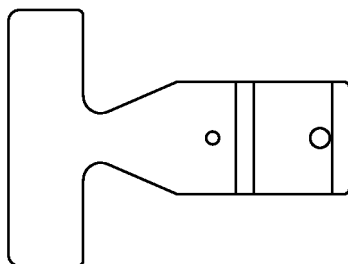


901SW575 KN

# Screwdriver, T27x150

#	Part Number	Description	Quantity	Contains Item(s)	Remarks
	5910 890 2400	Screwdriver, T27x150	1		

# Setting gauge



901SW605 SC

# Setting gauge

#	Part Number	Description	Quantity	Contains Item(s)	Remarks
	0000 890 6401	Setting gauge	1		