

# MS 194 T

Spare Parts List

02/08/2023

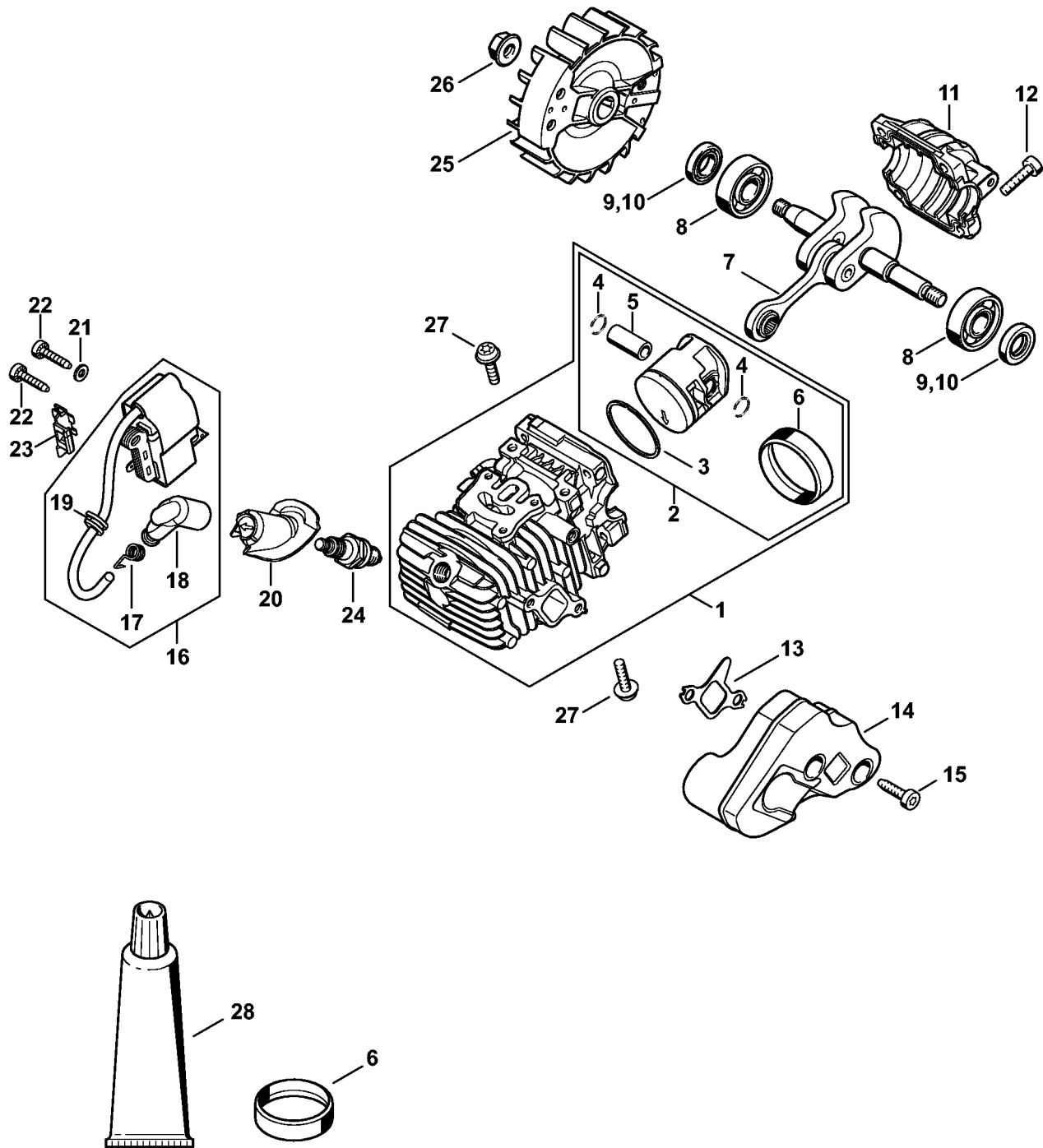
Indonesia, English

## Tophandle

### Contents

Cylinder with piston, Ignition system .....	2	Puller .....	60
Motor housing .....	5	Torque wrench with optical/acoustic signal .....	62
Oil pump, Clutch .....	8	Torque wrench .....	64
Chain sprocket cover .....	10	Torque wrench with optical/acoustic signal .....	66
Rewind starter .....	12	Torque wrench .....	68
Handle housing .....	14	Jaw (profile No. 3.1 and 4) .....	70
Air filter, Manifold .....	16	Assembly stand .....	72
Carburetor 1137/21 .....	18	Clamping plate .....	74
Tools, Extras .....	20	Installing tool, 10 .....	76
Serial number .....	22	Puller .....	78
Miscellaneous lubricants and greases .....	24	Puller .....	80
Cleaning products .....	26	Flange .....	82
Nipple .....	28	Cover .....	84
Installing tool .....	30	Nipple .....	86
Assembly drift .....	32	Testing tool kit .....	88
Sealing plate .....	34	Pump .....	90
Socket, T20x125 .....	36	Stud puller, M8-7,5 .....	92
Socket, T27x125 .....	38	Locking strip .....	94
Hose 135 mm / 5 5/16" .....	40	Clamping strap .....	96
Assembly tube .....	42	Screwdriver, T20 .....	98
Press sleeve .....	44	Socket, T20x140 .....	100
Setting gauge .....	46	Screwdriver, T8 .....	102
Assembly hook .....	48		
Stud puller, M8 .....	50		
Socket, 13 mm .....	52		
Assembly hook .....	54		
Ignition system tester, ZAT 3 .....	56		
Ignition system tester, ZAT 4 .....	58		

# Cylinder with piston, Ignition system



1137-GET-0016-A0

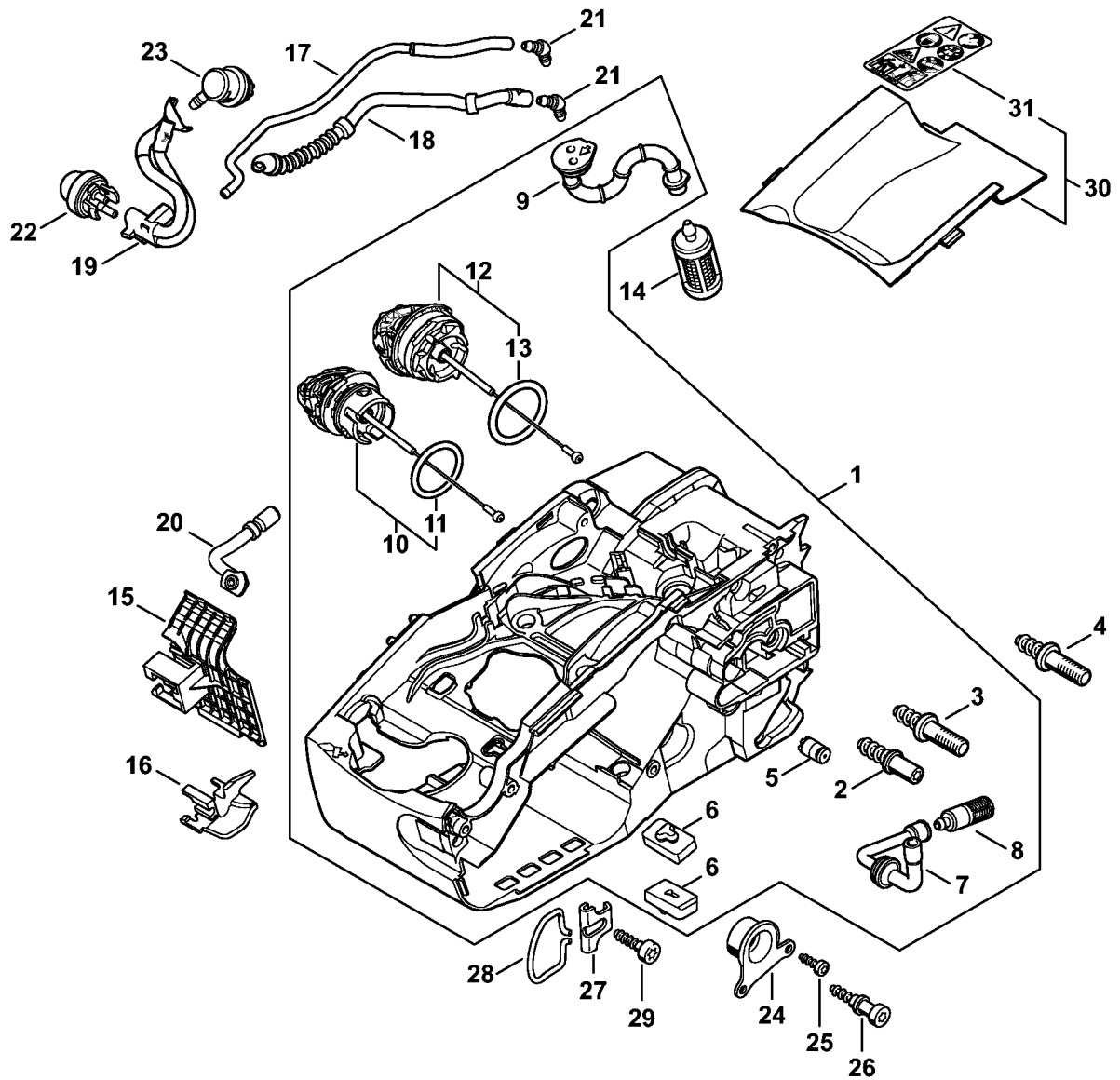
# Cylinder with piston, Ignition system

#	Part Number	Description	Quantity	Contains Item(s)	Remarks
1	1137 020 1209	Cylinder with piston Ø 38 mm	1	2 - 6	
2	1137 030 2012	Piston Ø 38 mm	1	3 - 6	
3	1130 034 3002	Piston ring Ø 38x1.2 mm	1	6	
4	9463 650 1000	Snap ring 10	2		
5	1139 034 1500	Piston pin 10x6.5x23	1		
6	1130 893 2603	Clamping strap	1		
7	1137 030 0403	Crankshaft	1		
8	9503 003 0239	Grooved ball bearing 6201	2		
9	9639 003 1205	Oil seal 12x22x4.5	2		
10	9639 003 1206	Oil seal 12x22x4.5	2		
11	1137 021 2503	Engine pan	1		
12	9075 478 4136	Pan head self-tapping screw IS-D5x20	4		Binding thread
13	1137 149 0601	Muffler gasket	1		
14	1137 140 0608	Muffler	1		
15	9022 341 0983	Spline screw IS-M5x16	2		Binding thread
16	1137 400 1310	Ignition module	1	17 - 19	
17	0000 998 0623	Spark plug contact spring	1		
18	0000 405 1007	Spark plug boot	1		
19	0000 989 0507	Grommet	1		
20	1137 084 1603	Cover	1		
21	9291 021 0100	Washer 4.3	1		
22	9075 478 3022	Pan head self-tapping screw IS-D4x20	2		Binding thread
23	1137 448 1206	Lead retainer	1		
24	0000 400 7011	Spark plug NGK CMR6H	1		
25	1137 400 1200	Flywheel	1		
26	0000 955 0802	Collar nut M8x1	1		
27	0000 951 1100	Screw IS-D5x20	4		Binding thread

# Cylinder with piston, Ignition system

#	Part Number	Description	Quantity	Contains Item(s)	Remarks
28	0783 830 2000	Tube of sealant HT red	1		

# Motor housing



1137-GET-0018-A0

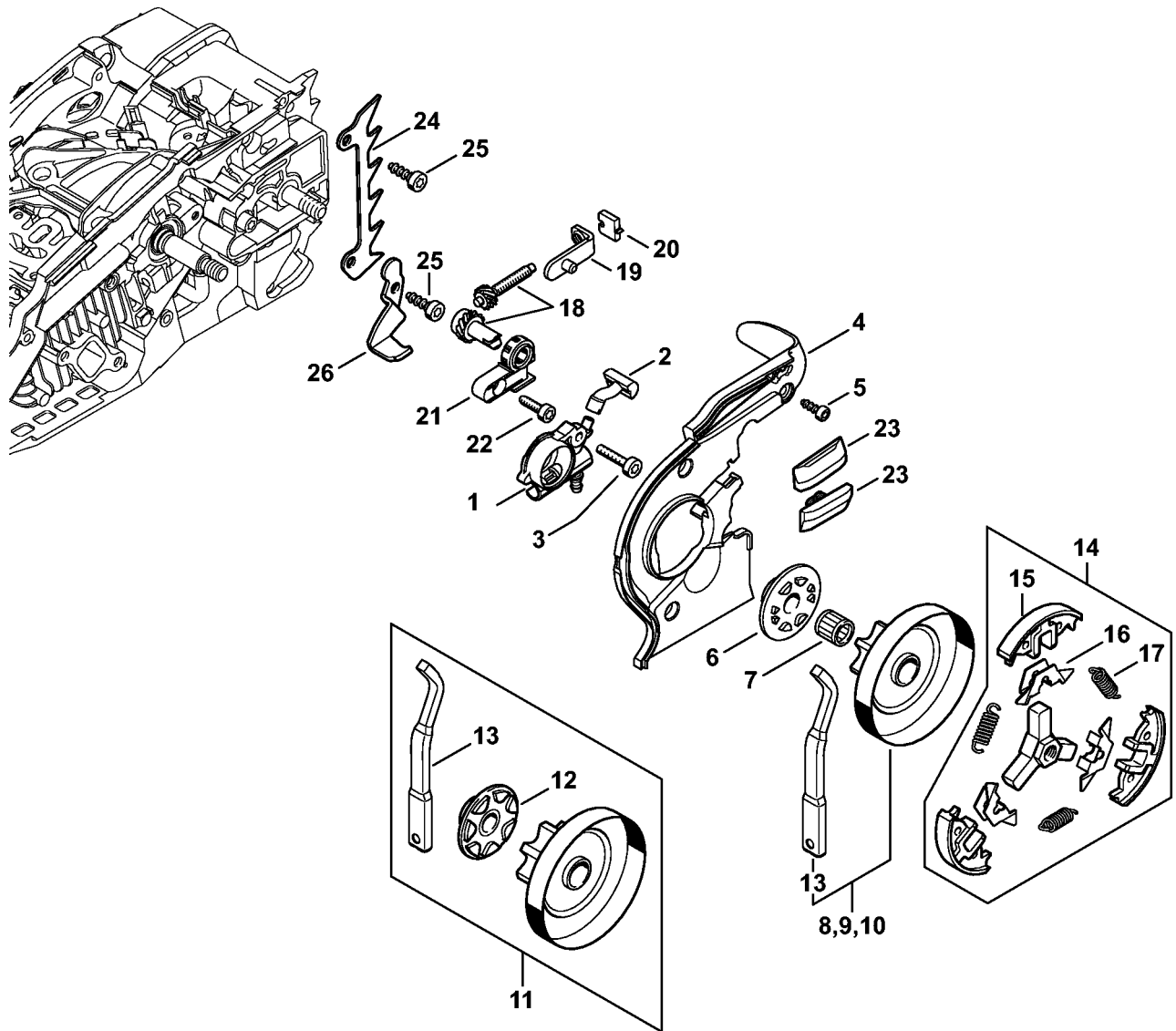
# Motor housing

#	Part Number	Description	Quantity	Contains Item(s)	Remarks
1	1137 020 3004	Engine housing	1	2, 3, 5 - 13	
2	0000 664 2402	Collar screw D8	1		
3	0000 664 2412	Collar screw D8	1		
4	0000 664 2415	Collar screw D9/M8	1		
5	1128 640 9100	Valve	1		
6	1137 352 5500	Clamp	2		
7	1129 647 9400	Hose	1		
8	1123 640 3800	Pickup body	1		
9	1137 358 7700	Hose	1		
10	0000 350 0537	Oil filler cap	1	11	
11	9645 948 2470	O-ring 23x3	1		
12	0000 350 0533	Filler cap	1	13	
13	9645 948 7734	O-ring 25x3.5	1		
14	0000 350 3502	Pickup body	1		
15	1137 351 4004	Insulating plate	1		
16	1137 028 1501	Support	1		
17	1137 350 5002	Tube	1		
18	1137 358 7703	Hose	1		
19	1137 358 7702	Hose	1		
20	1137 141 8600	Impulse hose	1		
21	1137 353 2600	Elbow connector	2		
22	4130 350 6200	Fuel pump	1		
23	0000 350 5802	Tank vent	1		
24	1137 790 9900	Annular buffer	1		
25	9074 477 2995	Pan head self-tapping screw IS-P4x12	2		
26	1129 791 6100	Screw	1		
27	1129 352 7700	Bracket	1		

# Motor housing

#	Part Number	Description	Quantity	Contains Item(s)	Remarks
28	1129 352 5000	Loop	1		
29	9074 478 4435	Pan head self-tapping screw IS-P6x19	1		
30	1137 020 1100	Cover	1	31	
31	0000 967 7257	Instruction label	1		

# Oil pump, Clutch



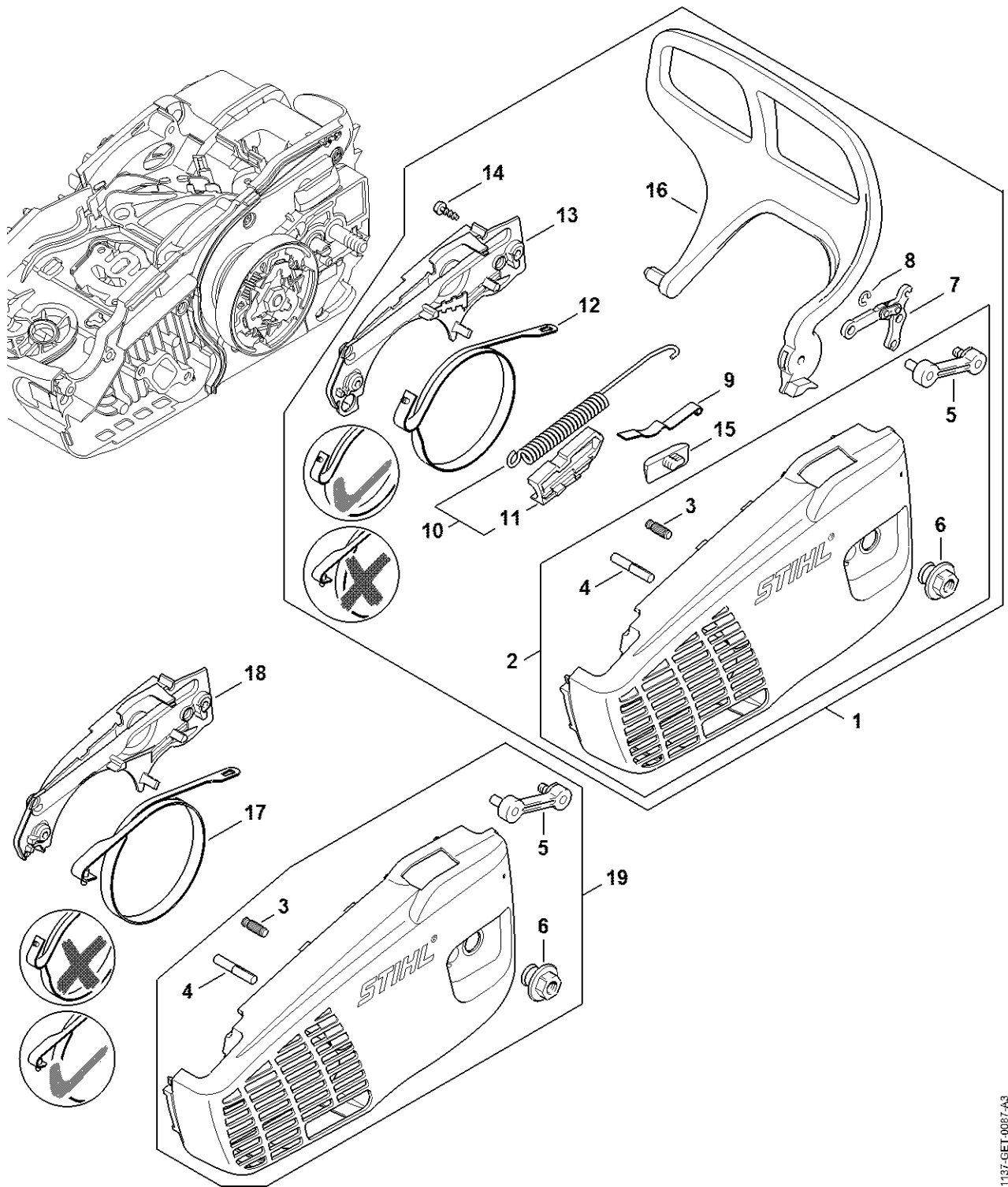
1137-GET-0046-A0



# Oil pump, Clutch

#	Part Number	Description	Quantity	Contains Item(s)	Remarks
1	1137 640 3203	Oil pump	1		
2	1137 647 5701	Connector	1		
3	9075 478 3022	Pan head self-tapping screw IS-D4x20	1		Binding thread
4	1137 021 1100	Cover	1		
5	9074 477 2995	Pan head self-tapping screw IS-P4x12	3		
6	1146 640 7102	Worm gear 1/4"Picco / 3/8"Picco	1		
7	9512 933 2270	Needle cage 10x13x13	1		
8	1137 640 2005	Chain sprocket 3/8" Picco 6T	1	13	
9	1137 640 2006	Chain sprocket 1/4" 8T	1	13	
11	1137 640 2007	Chain sprocket 3/8" Picco 7T	1	12, 13	
12	1129 640 7101	Worm gear 3/8" Picco 7T	1		
13	0000 893 5905	Locking strip	1		
14	1137 160 2001	Clutch	1	15 - 17	
15	1137 162 0800	Clutch shoe	3		
16	1121 162 3000	Retainer	3		
17	0000 997 5605	Tension spring	3		
18	1129 007 1000	Spur gear / chain adjusting screw kit	1		
19	1129 640 1900	Tensioner slide	1		
20	1123 664 1400	Thrust pad	1		
21	1123 664 2200	Cover	1		
22	9075 478 3015	Pan head self-tapping screw IS-D4x15	1		
23	1123 648 6600	Bumper strip	2		
24	1129 664 0500	Bumper spike	1		
25	9074 477 4130	Pan head self-tapping screw IS-P5x16	2		
26	1129 656 7701	Chain catcher	1		

# Chain sprocket cover

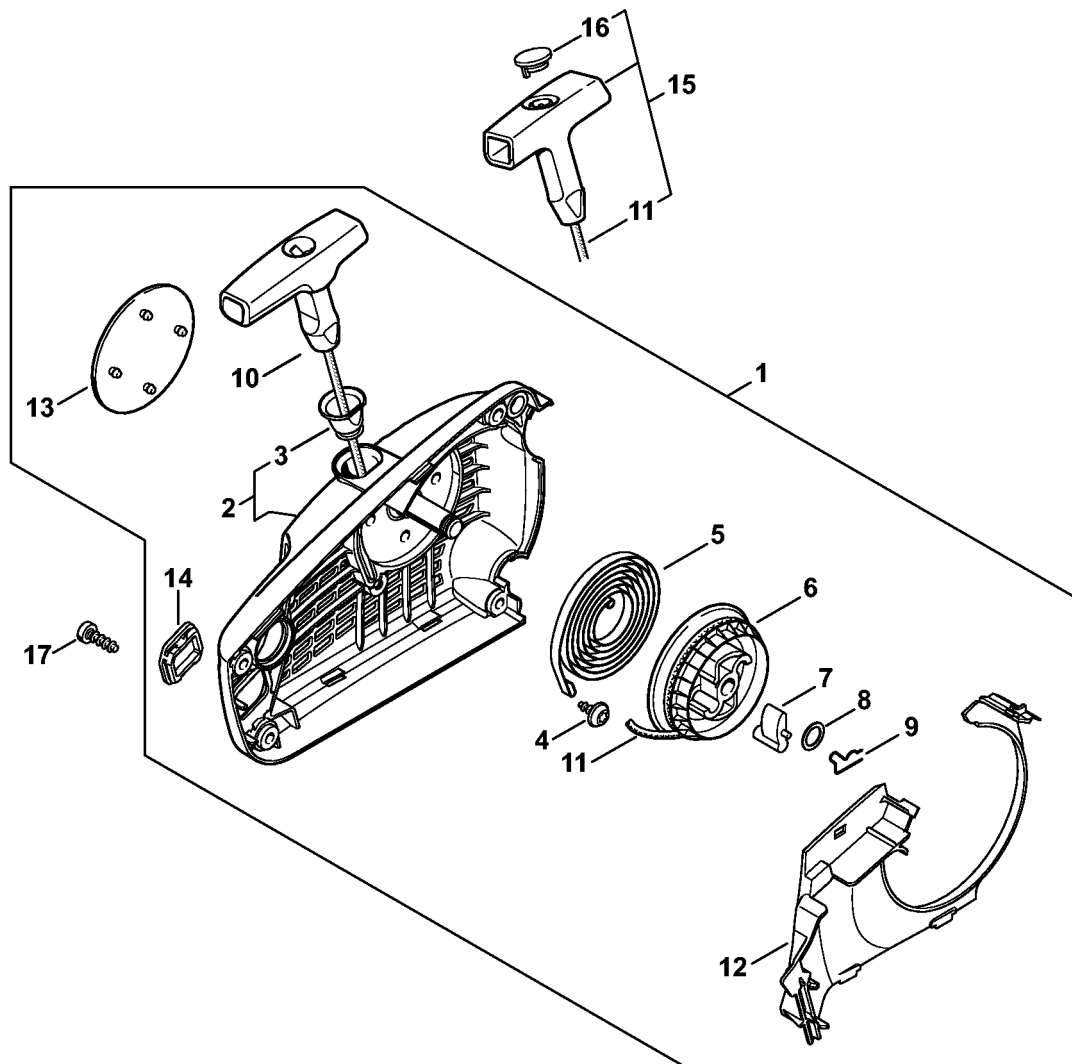


1137-GET-0087-43

# Chain sprocket cover

#	Part Number	Description	Quantity	Contains Item(s)	Remarks
1	1137 640 1740	Chain sprocket cover	1	2 - 16	
2	1137 640 1720	Chain sprocket cover	1	3 - 6	
3	1120 162 5200	Pin	1		
4	9378 543 2700	Notched pin 5x30	1		
5	1129 640 5000	Insert	1		
6	0000 995 0800	Collar nut M8	1		
7	1128 160 5000	Lever	1		
8	9460 624 0400	E-clip 4	1		
9	1129 162 7800	Flat spring	1		
10	1137 160 5502	Tension spring	1	11	
11	1137 162 6600	Limit stop	1		
12	1137 160 5400	Brake band	1		
13	1137 648 7702	Cover	1		
14	9074 477 2995	Pan head self-tapping screw IS-P4x12	2		
15	1123 648 6600	Bumper strip	1		
16	1137 792 9100	Hand guard	1		
17	1123 160 5400	Brake band	1		
18	1137 648 7700	Cover	1		
19	1137 640 1708	Chain sprocket cover	1	3 - 6	

# Rewind starter

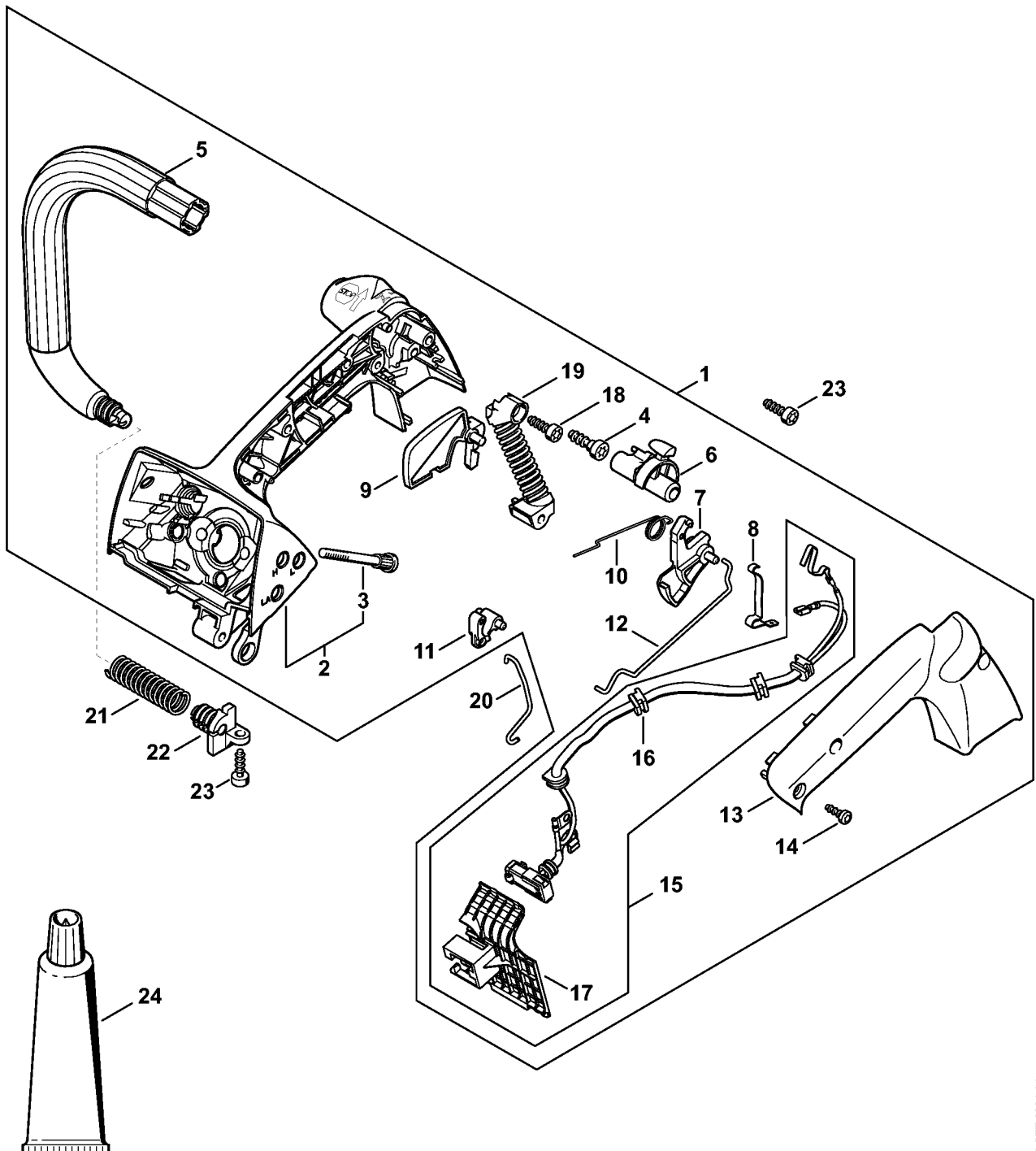


1137-GET-0022-A0

# Rewind starter

#	Part Number	Description	Quantity	Contains Item(s)	Remarks
1	1137 080 2115	Fan housing with rewind starter	1	2 - 14	
2	1137 080 1812	Fan housing	1	3	
3	1110 084 9102	Bushing	1		
4	9104 003 2960	Self-tapping screw P4x10	1		
5	1123 190 0600	Rewind spring	1		
6	1123 195 0400	Rope rotor	1		
7	1125 195 7200	Pawl	1		
8	0000 958 0923	Washer	1		
9	1118 195 3500	Spring	1		
10	1121 195 3400	Starter grip	1		
11	0000 195 8203	Starter rope Ø 3x850 mm	1		
12	1137 084 7802	Segment	1		
13	1137 967 1507	Model plate MS 194 T	1		
14	1137 647 9100	Grommet	1		
15	0000 190 3402	Starter grip ElastoStart Ø 3 mm	1	11, 16	
16	0000 195 7001	Cap	1		
17	9074 477 4130	Pan head self-tapping screw IS-P5x16	4		

# Handle housing

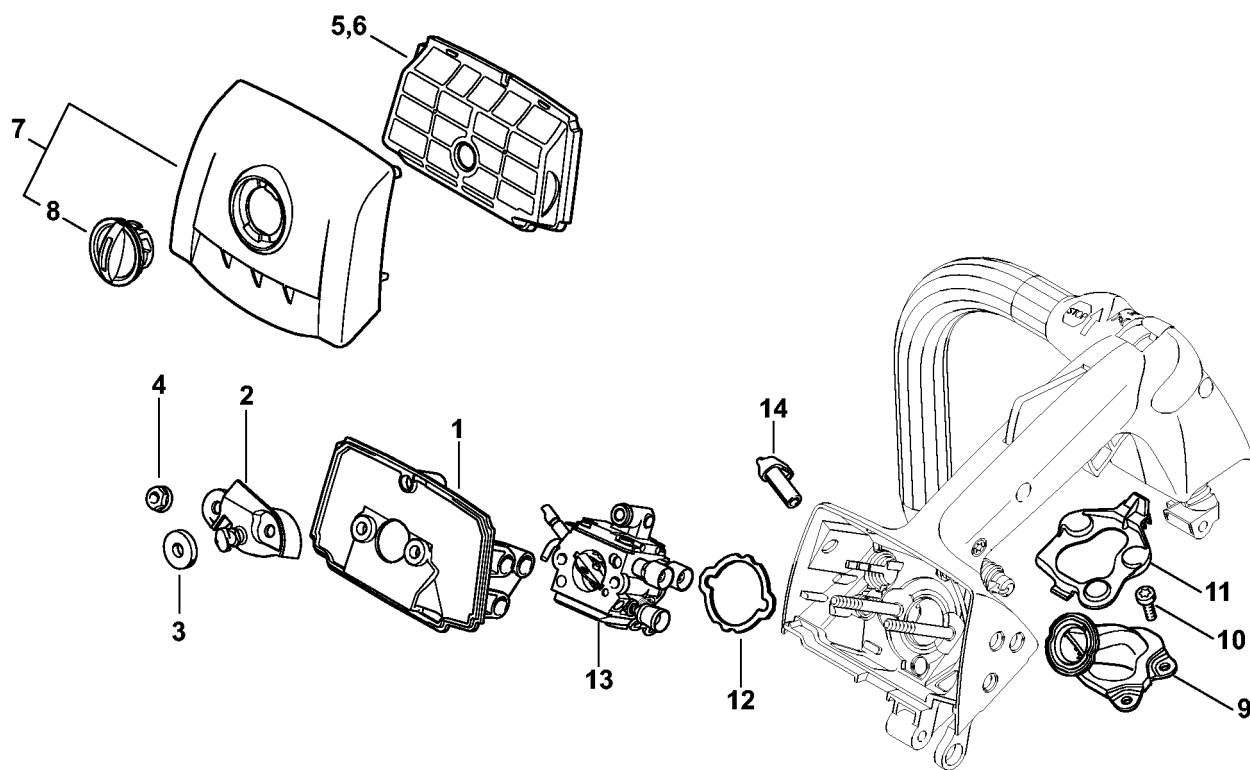


1137-GET-0024-A1

# Handle housing

#	Part Number	Description	Quantity	Contains Item(s)	Remarks
1	1137 790 1012	Handle housing	1	2 - 19	
2	1137 790 1005	Handle housing	1	3	
3	1121 122 6600	Collar screw	2		
4	9074 478 4435	Pan head self-tapping screw IS-P6x19	1		
5	1137 791 1700	Handlebar	1		
6	1137 180 0902	Switch shaft	1		
7	1137 180 1500	Throttle trigger	1		
8	1137 442 1600	Contact spring	1		
9	1137 182 0800	Lockout lever	1		
10	1129 182 4500	Torsion spring	1		
11	1129 180 4000	Double lever	1		
12	1129 182 1501	Throttle rod	1		
13	1137 791 0600	Handle molding	1		
14	9074 477 2995	Pan head self-tapping screw IS-P4x12	3		
15	1137 440 3008	Wiring harness	1	16, 17	
16	0000 989 0507	Grommet	5		
17	1137 351 4004	Insulating plate	1		
18	9074 477 4130	Pan head self-tapping screw IS-P5x16	1		
19	1137 790 8300	AV-Spring	1		
20	1137 182 1503	Throttle rod	1		
21	1137 791 3101	Spring	1		
22	1137 792 2902	AV mount	1		
23	9074 477 4130	Pan head self-tapping screw IS-P5x16	2		
24	0781 120 1109	Multipurpose grease 80 g	1		

# Air filter, Manifold



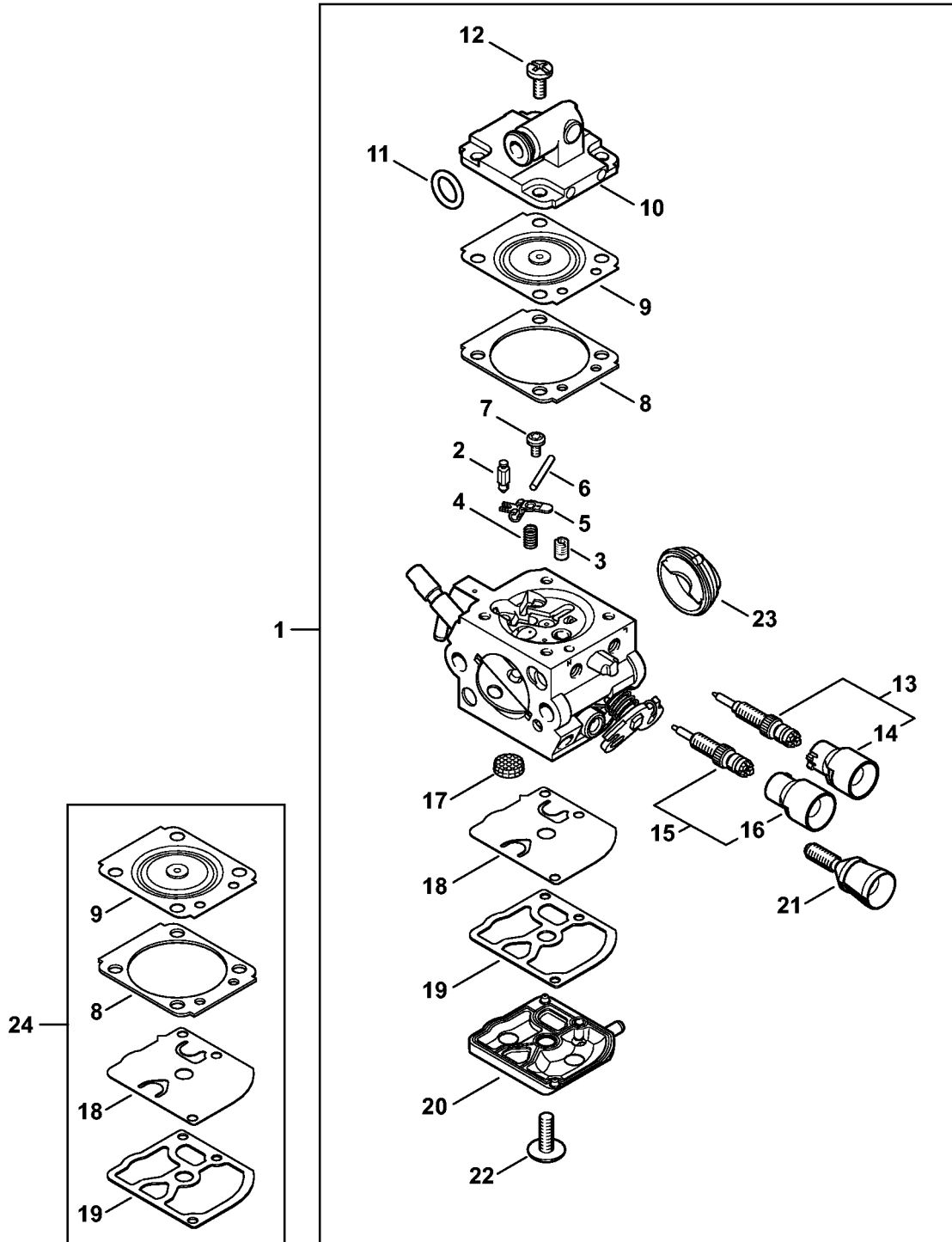
1137-GET-0025-A0



# Air filter, Manifold

#	Part Number	Description	Quantity	Contains Item(s)	Remarks
1	1137 141 0902	Filter base	1		
2	1137 121 6900	Baffle	1		
3	1144 129 0900	Gasket	1		
4	9216 261 0700	Hexagon nut M5	2		
5	1137 120 1604	Air filter, fleece	1		
6	1137 120 1605	Air filter	1		
7	1137 140 1902	Carburetor box cover	1	8	
8	1137 141 2301	Twist lock	1		
9	1137 140 2501	Manifold	1		
10	9075 478 3012	Pan head self-tapping screw IS-D4x12	3		
11	1137 141 3301	Supporting plate	1		
12	1137 121 8601	Washer	1		
13	1137 120 0621	Carburetor 1137/21	1		
14	1137 121 6101	Choke lever	1		

# Carburetor 1137/21

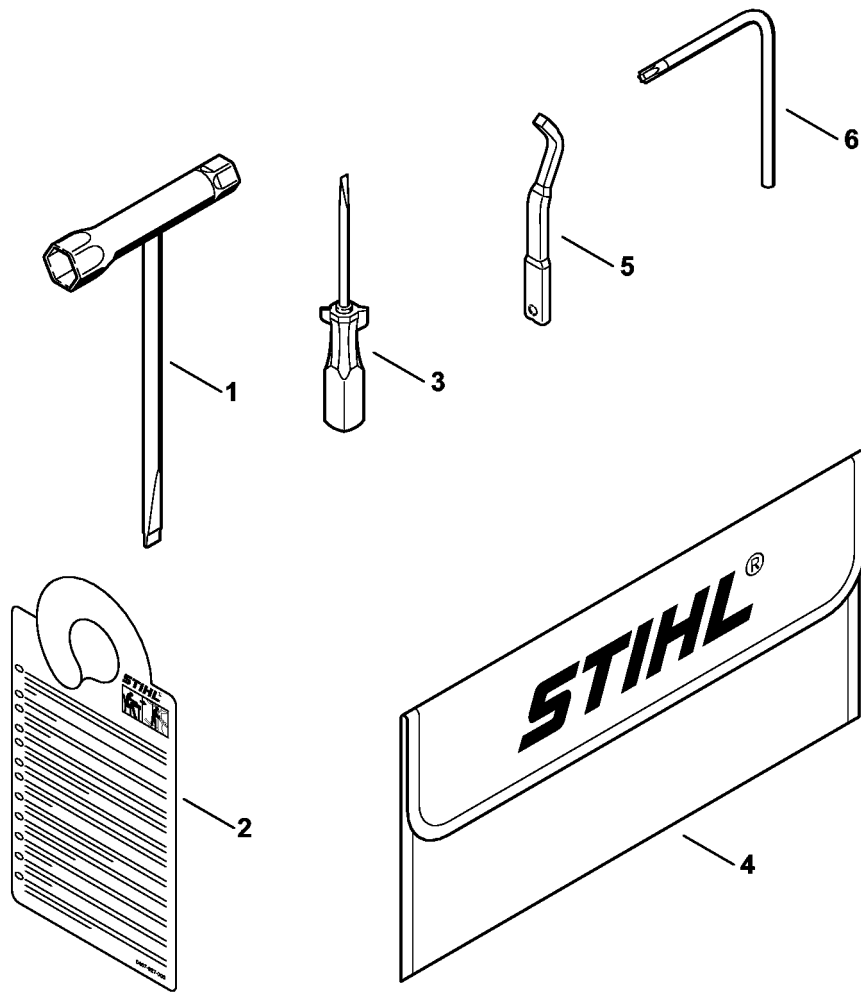


1137-GET-0074-A1

# Carburetor 1137/21

#	Part Number	Description	Quantity	Contains Item(s)	Remarks
1	1137 120 0621	Carburetor 1137/21	1	2 - 23	
2	Z000 018 Z000	Inlet needle	1		
3	4229 121 5603	Fixed jet 0.37	1		
4	1120 122 3004	Spring	1		
5	1125 121 5000	Inlet control lever	1		
6	1120 121 9200	Spindle	1		
7	0000 122 7101	Screw	1		
8	1145 129 0900	Metering gasket	1		
9	1137 121 4701	Metering diaphragm	1		
10	1130 121 0802	End cover	1		
11	9646 945 0490	O-ring 7x1.5	1		
12	1120 122 6601	Collar screw	4		
13	Z010 031 K000	Low speed screw kit	1	14	
14	0000 121 2708	Cap	1		
15	Z000 030 K000	High speed screw kit	1	16	
16	4229 121 2701	Cap	1		
17	1123 121 7800	Strainer	1		
18	1129 121 4800	Pump diaphragm	1		
19	1123 129 0905	Pump gasket	1		
20	1137 125 0200	Pump cover	1		
21	1137 122 6200	Idle speed screw	1		
22	1120 122 7800	Oval head screw	1		
23	1137 141 1801	Sleeve	1		
24	1137 007 1701	Set of carburetor parts	1	8, 9, 18, 19	

# Tools, Extras

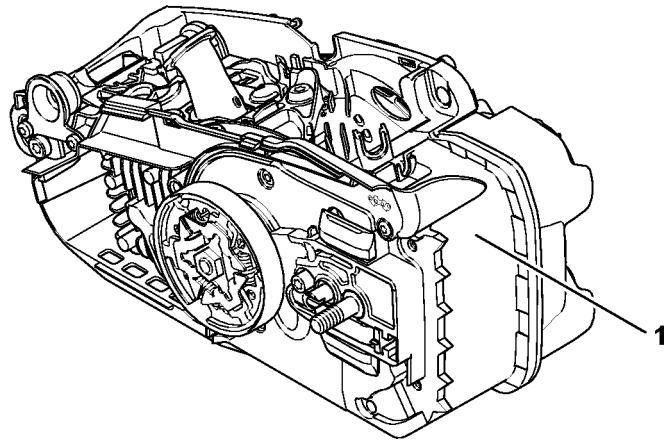


1137-GET-0015-A0

# Tools, Extras

#	Part Number	Description	Quantity	Contains Item(s)	Remarks
1	0000 890 3402	Combination wrench	1		
2	0457 927 0002	Hang tag	1		
3	0000 890 2300	Screwdriver	1		
4	0000 891 0810	Tool roll	1		
5	0000 893 5905	Locking strip	1		
6	0812 370 1000	Screwdriver T27x120x70	1		

# Serial number

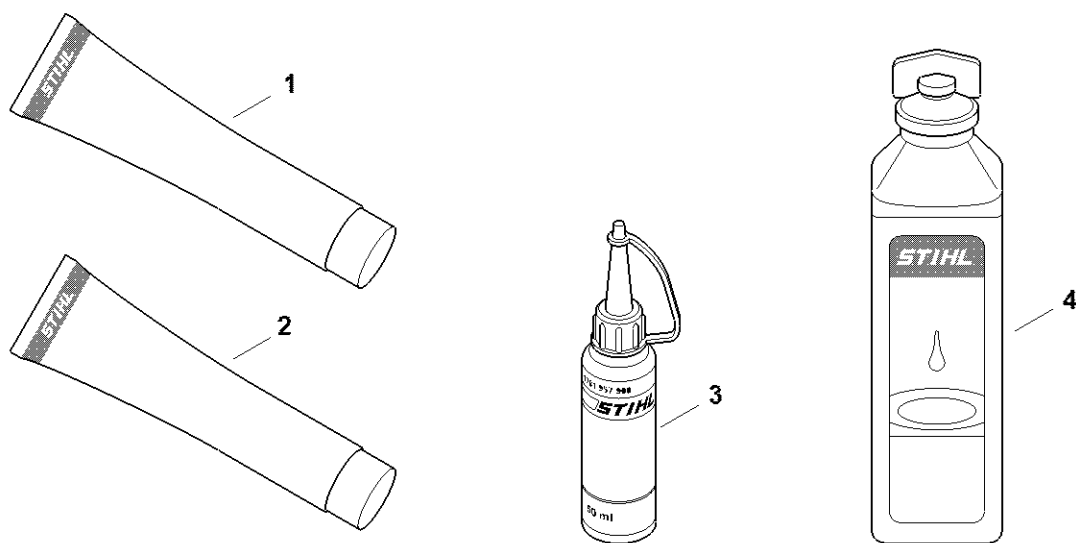


467ET010 SC

# Serial number

#	Part Number	Description	Quantity	Contains Item(s)	Remarks
1		Position of serial number	1		

# Miscellaneous lubricants and greases



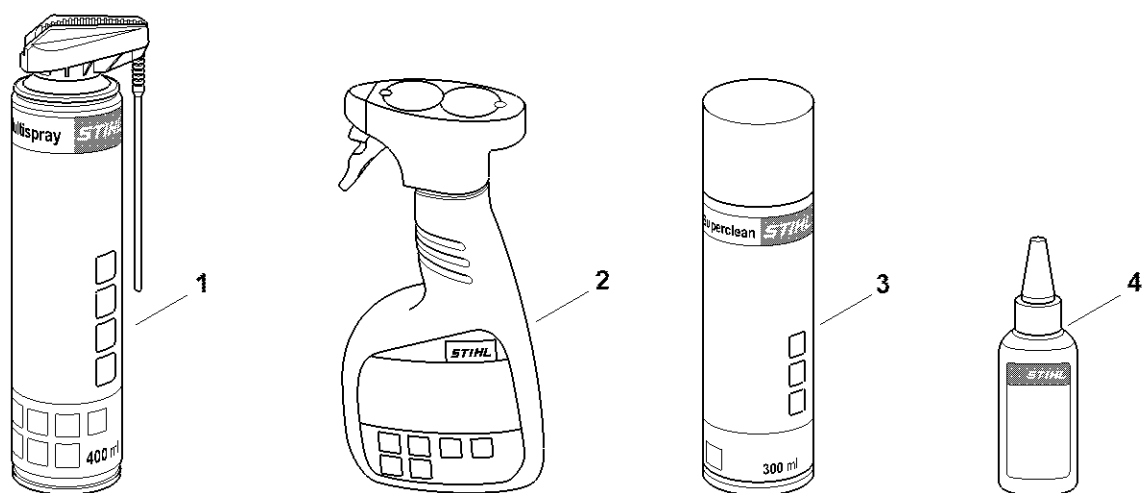
0000-GET-0189-A0



# Miscellaneous lubricants and greases

#	Part Number	Description	Quantity	Contains Item(s)	Remarks
1	0781 120 1021	STIHL Multilub 40g tube	1		
1	0781 120 1109	Multipurpose grease 80 g	1		
1	0781 120 1110	Multipurpose grease 225 g	1		
2	0783 830 2000	Tube of sealant HT red	1		
3	0781 957 9000	Press fluid OH 723	1		
4	0781 319 8401	HP 100ml	1		
4	0781 319 8052	HP Super 100ml	1		
4	0781 319 8060	HP Ultra 100ml	1		

# Cleaning products

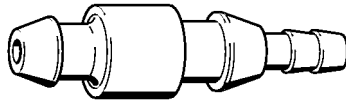


0000-GET-0171-A0

# Cleaning products

#	Part Number	Description	Quantity	Contains Item(s)	Remarks
1	0730 411 7002	Multispray 50 ml	1		
1	0730 411 7000	Multispray	1		
2	0000 881 9400	VarioClean 500 ml	1		
2	0000 881 9409	Special cleaner 5 l	1		
3	0782 420 1001	SuperClean 50 ml	1		
3	0782 420 1002	SuperClean 300 ml	1		
4	0782 516 8500	Multioil Bio 50 ml	1		

# Nipple

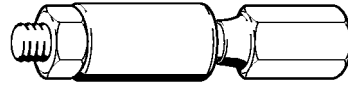


901SW008 GM

# Nipple

#	Part Number	Description	Quantity	Contains Item(s)	Remarks
	0000 855 9200	Nipple	1		

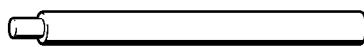
# Installing tool



901SW009 GM

# Installing tool

#	Part Number	Description	Quantity	Contains Item(s)	Remarks
	0000 890 2201	Installing tool	1		
	9210 319 0900	Hexagon nut M6	1		



901SW047 GM



# Assembly drift

#	Part Number	Description	Quantity	Contains Item(s)	Remarks
	1114 893 4700	Assembly drift	1		

# Sealing plate

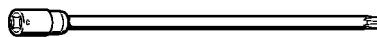


901 SW078 GM

# Sealing plate

#	Part Number	Description	Quantity	Contains Item(s)	Remarks
	0000 855 8106	Sealing plate	1		

# Socket, T20x125

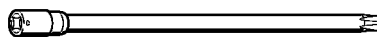


901SW090 GM

# Socket, T20x125

#	Part Number	Description	Quantity	Contains Item(s)	Remarks
	0812 542 2041	Driver bit, 1/4" square drive, T20x125	1		

# Socket, T27x125



901SW091 GM

# Socket, T27x125

#	Part Number	Description	Quantity	Contains Item(s)	Remarks
	0812 542 2104	Driver bit, 1/4" square drive, T27x125	1		

# Hose 135 mm / 5 5/16"



901SW100 GM



# Hose 135 mm / 5 5/16"

#	Part Number	Description	Quantity	Contains Item(s)	Remarks
	1110 141 8600	Hose 135 mm / 5 5/16"	1		

# Assembly tube

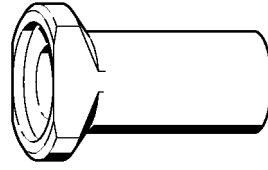


901SW112 GM

# Assembly tube

#	Part Number	Description	Quantity	Contains Item(s)	Remarks
	1117 890 0900	Assembly tube	1		

# Press sleeve

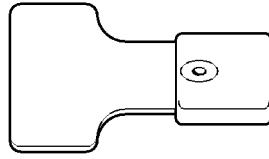


901SW152 GM

# Press sleeve

#	Part Number	Description	Quantity	Contains Item(s)	Remarks
	4112 893 2401	Press sleeve	1		

# Setting gauge

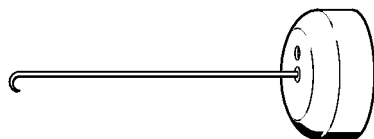


901SW163 GM

# Setting gauge

#	Part Number	Description	Quantity	Contains Item(s)	Remarks
	4118 890 6401	Setting gauge	1		

# Assembly hook



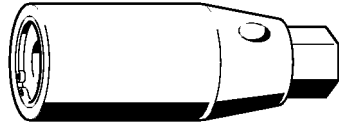
901SW205 GM



# Assembly hook

#	Part Number	Description	Quantity	Contains Item(s)	Remarks
	5910 890 2800	Assembly hook	1		

# Stud puller, M8

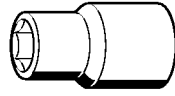


901SW209 GM

# Stud puller, M8

#	Part Number	Description	Quantity	Contains Item(s)	Remarks
	5910 893 0501	Stud puller, M8	1		

# Socket, 13 mm

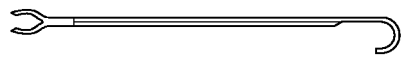


901SW217 GM

# Socket, 13 mm

#	Part Number	Description	Quantity	Contains Item(s)	Remarks
	5910 893 5608	Socket, 13 mm	1		

# Assembly hook

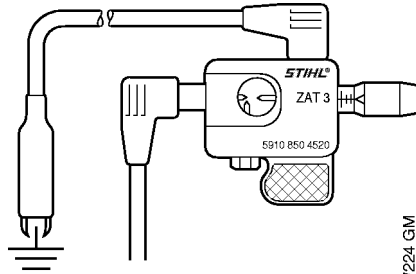


901SW221 GM

# Assembly hook

#	Part Number	Description	Quantity	Contains Item(s)	Remarks
	5910 893 8800	Assembly hook	1		

# Ignition system tester, ZAT 3



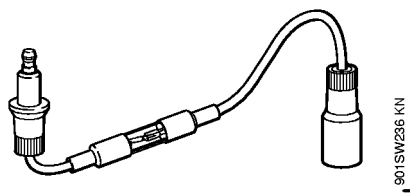
901 SW224 GM



# Ignition system tester, ZAT 3

#	Part Number	Description	Quantity	Contains Item(s)	Remarks
	5910 850 4520	Ignition system tester, ZAT 3	1		

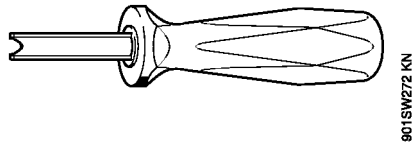
# Ignition system tester, ZAT 4



# Ignition system tester, ZAT 4

#	Part Number	Description	Quantity	Contains Item(s)	Remarks
	5910 850 4503	Ignition system tester, ZAT 4	1		

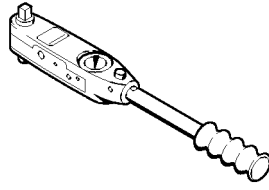
# Puller



# Puller

#	Part Number	Description	Quantity	Contains Item(s)	Remarks
	5910 890 4501	Puller	1		

# Torque wrench with optical/acoustic signal

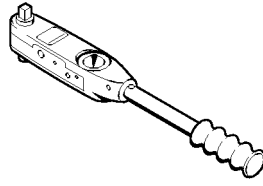


901SW290 KN

# Torque wrench with optical/acoustic signal

#	Part Number	Description	Quantity	Contains Item(s)	Remarks
	5910 890 0312	Torque wrench with optical/acoustic signal	1		

# Torque wrench



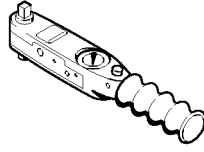
901SW291 KN



# Torque wrench

#	Part Number	Description	Quantity	Contains Item(s)	Remarks
	5910 890 0311	Torque wrench	1		

# Torque wrench with optical/acoustic signal

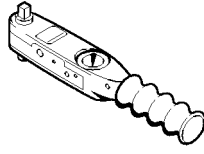


901SW292 KN

# Torque wrench with optical/acoustic signal

#	Part Number	Description	Quantity	Contains Item(s)	Remarks
		Torque wrench	1		

# Torque wrench

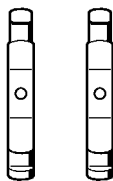


901SW293 KN

# Torque wrench

#	Part Number	Description	Quantity	Contains Item(s)	Remarks
	5910 890 0301	Torque wrench	1		

# Jaw (profile No. 3.1 and 4)

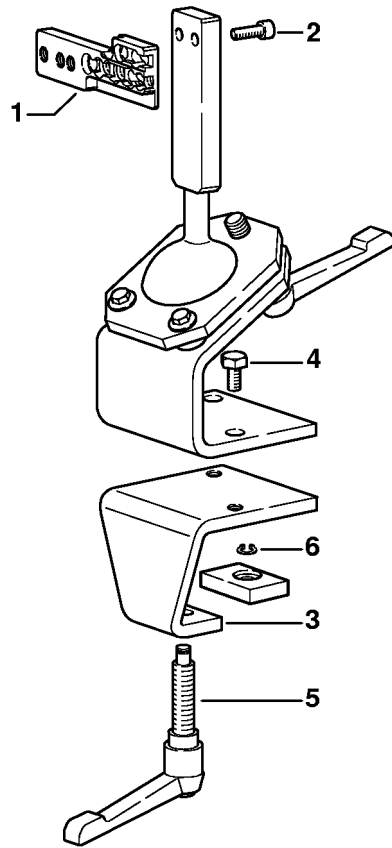


901 SW932 GIM

## Jaw (profile No. 3.1 and 4)

#	Part Number	Description	Quantity	Contains Item(s)	Remarks
	0000 893 3706	Jaw (profile No. 3.1 and 4)	1		

# Assembly stand



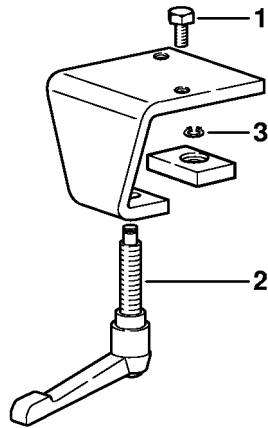
9015W363 SC



# Assembly stand

#	Part Number	Description	Quantity	Contains Item(s)	Remarks
	5910 890 3101	Assembly stand	1	1 - 6	
1	5910 850 1651	Support	1		
2	9045 319 2390	Socket head screw M10x25	2		
3	5910 850 2100	Clamping plate	1	4 - 6	
4	9008 319 2930	Hexagon head screw M12x20	2		
5	5910 890 1901	Clamp lever	1		
6	9455 621 0850	Circlip 10x1	1		

# Clamping plate

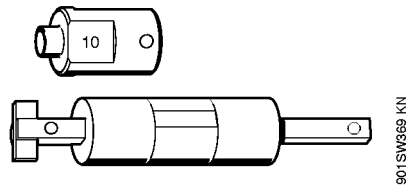


9015W664 SC

# Clamping plate

#	Part Number	Description	Quantity	Contains Item(s)	Remarks
	5910 850 2100	Clamping plate	1	1 - 3	
<b>1</b>	9008 319 2930	Hexagon head screw M12x20	2		
<b>2</b>	5910 890 1901	Clamp lever	1		
<b>3</b>	9455 621 0850	Circlip 10x1	1		

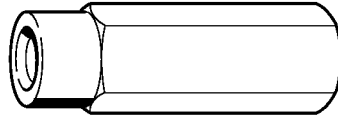
# Installing tool, 10



# Installing tool, 10

#	Part Number	Description	Quantity	Contains Item(s)	Remarks
	5910 890 2210	Installing tool, 10	1		
	5910 893 1707	Sleeve	1		

# Puller

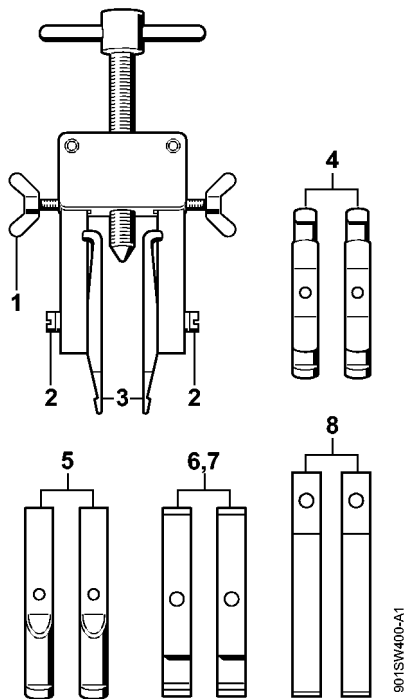


9015W385 KN

# Puller

#	Part Number	Description	Quantity	Contains Item(s)	Remarks
	5910 893 0801	Puller	1		

# Puller

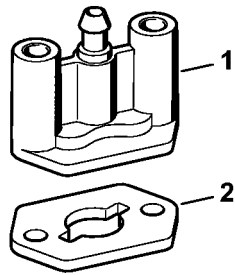




# Puller

#	Part Number	Description	Quantity	Contains Item(s)	Remarks
	5910 890 4400	Puller	1	1 - 8	
1	9157 691 0980	Wing screw M5x16	2		
2	9044 319 0980	Pan head screw M5x16	2		
3	0000 893 3700	Jaw (profile No. 1 and 2)	2		
4	0000 893 3706	Jaw (profile No. 3.1 and 4)	2		
5	0000 893 3711	Jaw (profile No. 6)	2		
6	0000 893 3703	Jaw (profile No. 7)	2		
7	0000 893 3704	Jaw (profile No. 8)	2		
8	0000 893 3707	Jaw (profile No. 9)	2		

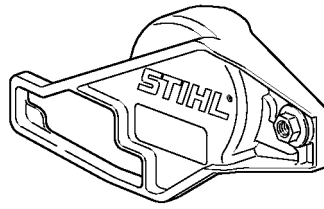
# Flange



5910-GSW-0006-A0

# Flange

#	Part Number	Description	Quantity	Contains Item(s)	Remarks
1	5910 850 4206	Flange	1	2	
2	5910 851 9900	Gasket	2		

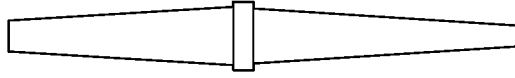


901SW485 GM

# Cover

#	Part Number	Description	Quantity	Contains Item(s)	Remarks
	5910 890 3201	Cover	1		

# Nipple

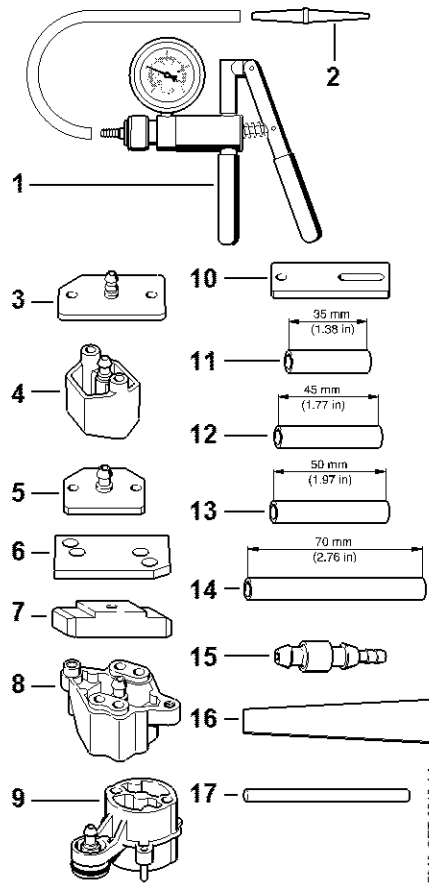


901SW496 GM

# Nipple

#	Part Number	Description	Quantity	Contains Item(s)	Remarks
	0000 855 9201	Nipple	1		

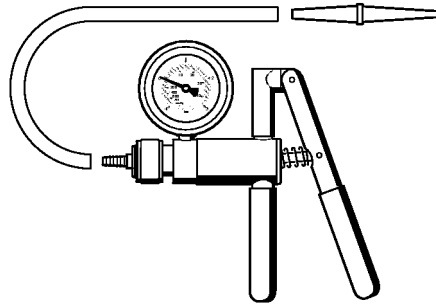
# Testing tool kit





# Testing tool kit

#	Part Number	Description	Quantity	Contains Item(s)	Remarks
	0000 890 1701	Testing tool kit	1	1 - 17	
<b>1</b>	0000 850 1300	Pump	1	2	
<b>2</b>	0000 855 9201	Nipple	1		
<b>3</b>	1106 850 4201	Flange	1		
<b>4</b>	1118 850 4200	Flange	1		
<b>5</b>	1119 850 4201	Test flange	1		
<b>6</b>	1123 855 4200	Flange	1		
<b>7</b>	1124 850 4205	Flange	1		
<b>8</b>	5910 850 4207	Flange	1		
<b>9</b>	4224 890 1200	Flange	1		
<b>10</b>	5910 855 4206	Flange	1		
<b>11</b>	5910 893 1702	Sleeve	2		
<b>12</b>	1123 851 8300	Sleeve	2		
<b>13</b>	1124 893 7100	Sleeve	2		
<b>14</b>	1127 851 8300	Sleeve	2		
<b>15</b>	0000 855 9200	Nipple	1		
<b>16</b>	0000 855 8106	Sealing plate	1		
<b>17</b>	1110 141 8600	Hose 135 mm / 5 5/16"	1		

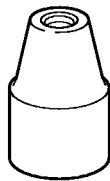


901SW486 GM

# Pump

#	Part Number	Description	Quantity	Contains Item(s)	Remarks
	0000 850 1300	Pump	1		
	0000 855 9201	Nipple	1		
	0000 855 0100	Hose	1		

# Stud puller, M8-7,5

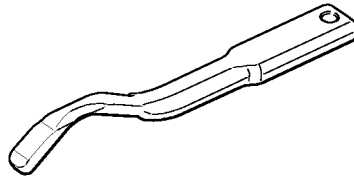


901SW502 GM

# Stud puller, M8-7,5

#	Part Number	Description	Quantity	Contains Item(s)	Remarks
	5910 890 3000	Stud driver M8-7.5	1		

# Locking strip

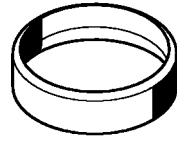


901SW577 KN

# Locking strip

#	Part Number	Description	Quantity	Contains Item(s)	Remarks
	0000 893 5905	Locking strip	1		

# Clamping strap



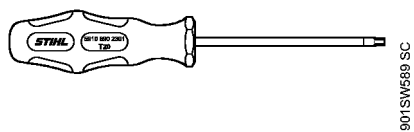
901SW685 SC



# Clamping strap

#	Part Number	Description	Quantity	Contains Item(s)	Remarks
	1130 893 2603	Clamping strap	1		

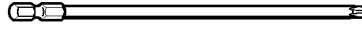
# Screwdriver, T20



# Screwdriver, T20

#	Part Number	Description	Quantity	Contains Item(s)	Remarks
	5910 890 2301	Screwdriver, T20	1		

# Socket, T20x140

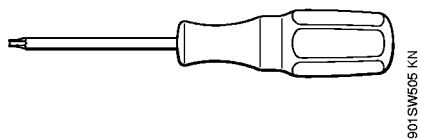


901SW696 SC

# Socket, T20x140

#	Part Number	Description	Quantity	Contains Item(s)	Remarks
	0812 540 1016	Driver bit, 1/4" hex drive, T20x140	1		

# Screwdriver, T8



# Screwdriver, T8

#	Part Number	Description	Quantity	Contains Item(s)	Remarks
	5910 890 2310	Screwdriver, T8	1		