

HSA 56

Spare Parts List

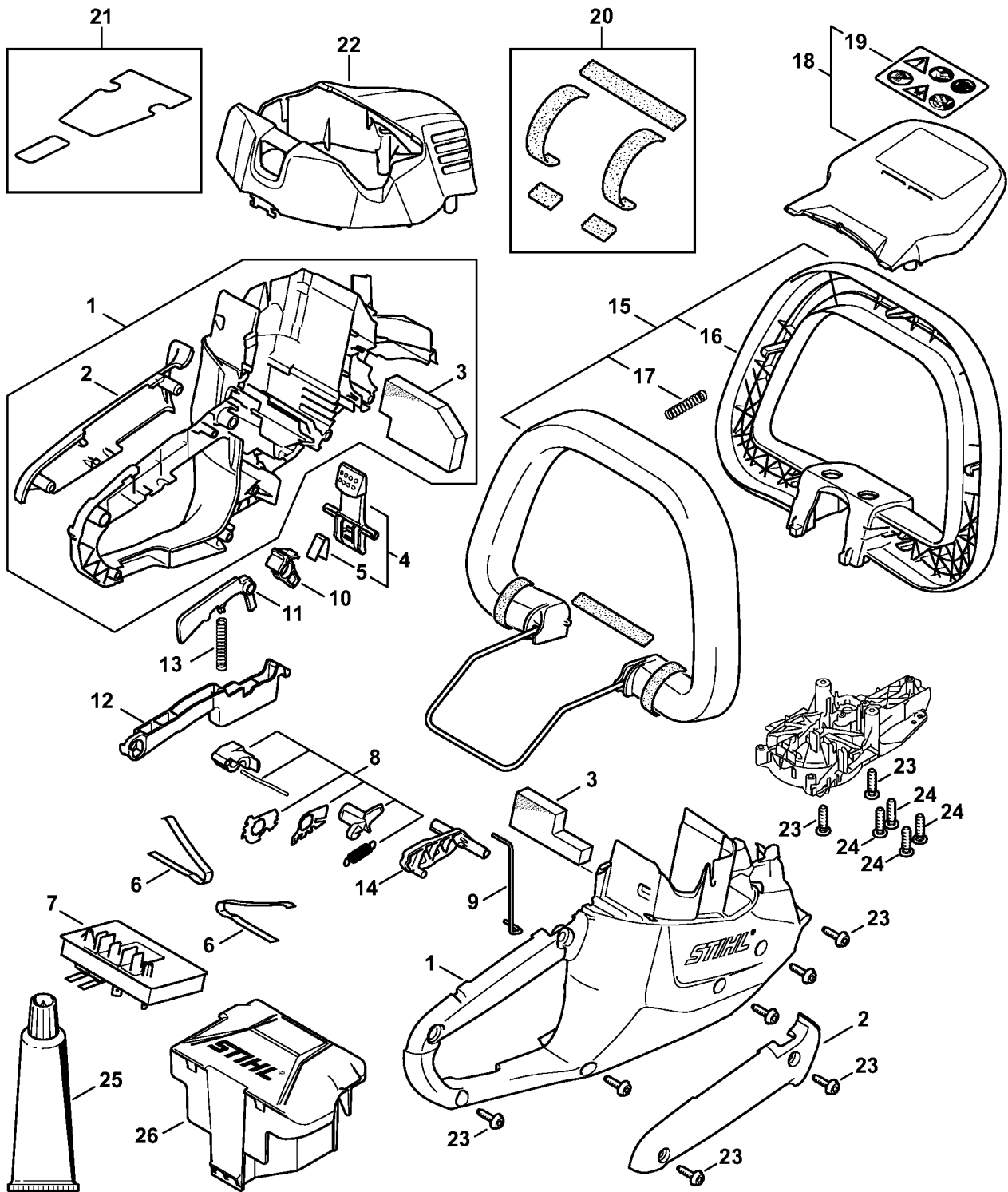
02/08/2023

Indonesia, English

Contents

Motor Housing, Electronic Module	2
Gear head, Electric motor, Cutter bar	4
Serial number	6
Smart Connector	8
Tightening torques	10
Torque wrench with optical/acoustic signal	12
Torque wrench	14
Socket, T27x125	16
Screwdriver, T27x150	18
Punchdown tool	20
Socket, T20x125	22
Screwdriver, T20	24
Pliers A10	26
Pliers A19	28

Motor Housing, Electronic Module

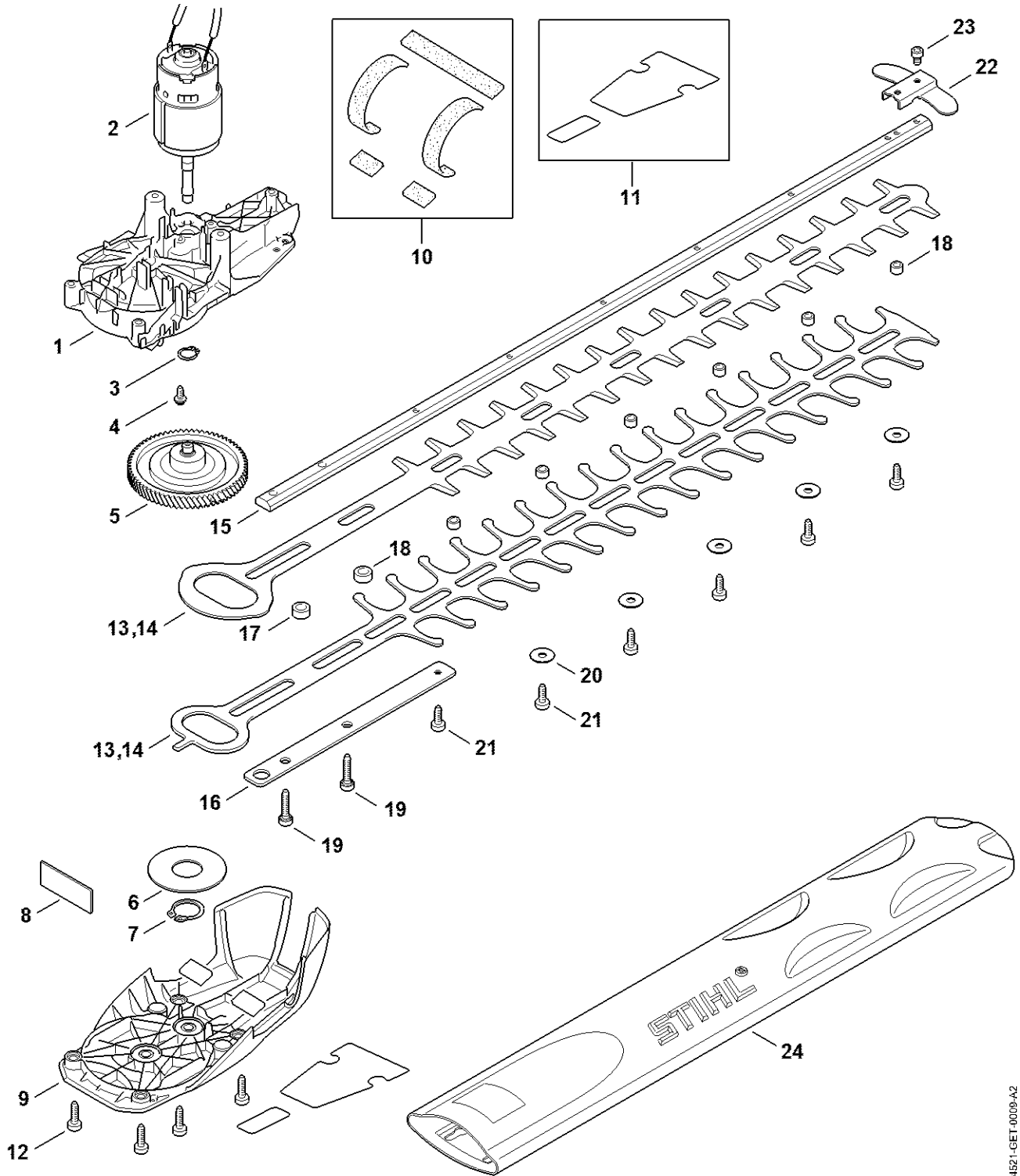


4521-GET-0013 -A0

Motor Housing, Electronic Module

#	Part Number	Description	Quantity	Contains Item(s)	Remarks
1	4521 600 0802	Motor housing	1	2, 3	
2	4521 790 0600	Handle molding	1		
3	4521 080 1900	Filter	1		
4	4522 430 9800	Battery latch	1	5	
5	0000 997 2201	Spring	1		
6	4522 791 3100	Spring	2		
7	4521 430 1401	Electronic module	1		
8	4521 007 3501	Shift cam kit	1		
9	4521 185 1900	Linkage	1		
10	4521 435 2800	Detent lever	1		
11	4521 435 6300	Trigger switch lockout	1		
12	4521 435 2400	Trigger switch	1		
13	0000 997 3103	Compression spring	1		
14	4521 435 7200	Rocker arm	1		
15	4521 790 1200	Loop handle	1	16, 17	
16	4851 791 2300	Loop handle	1		
17	6460 716 2400	Compression spring	1		
18	4521 790 9100	Hand guard	1	19	
19	4521 967 7204	Warning pictogram HSA 56	1		
20	4521 007 1600	Set of gaskets	1		
21	4521 007 1000	Set of adhesive films	1		
22	4521 602 0400	Cover	1		
23	9074 477 3025	Pan head self-tapping screw IS-P4x16	9		
24	9074 478 3005	Pan head self-tapping screw IS-P4x14	4		
25	0781 110 1011	Special grease (DC4)	1		
26	4520 602 0900	Battery compartment cover	1		

Gear head, Electric motor, Cutter bar

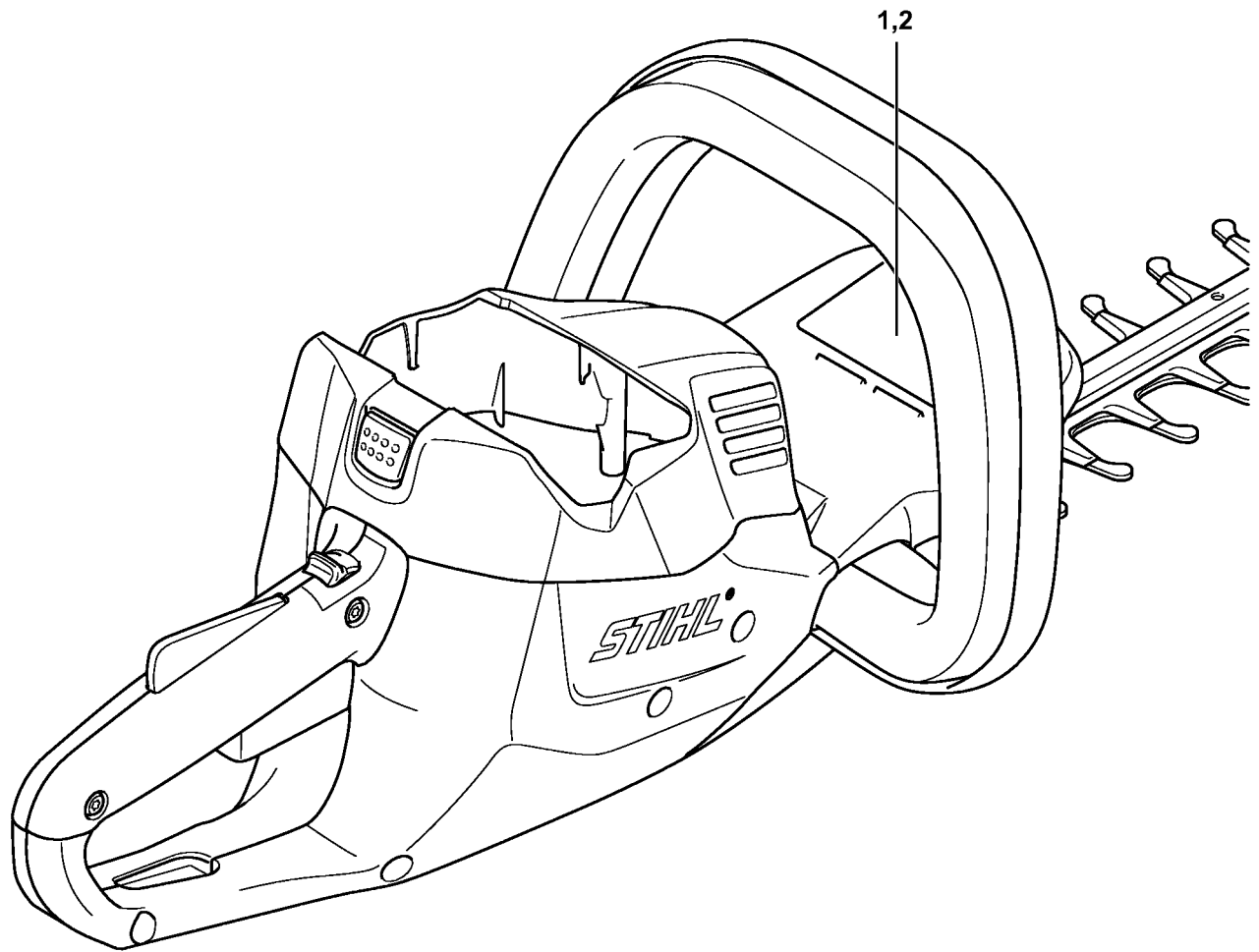


4521-GET-9009-A2

Gear head, Electric motor, Cutter bar

#	Part Number	Description	Quantity	Contains Item(s)	Remarks
1	4521 640 0500	Gear housing	1	4	
2	4521 600 0201	Electric motor	1		
3	9455 621 0750	Circlip 9x1	1		
4	9104 003 2960	Self-tapping screw P4x10	2		
5	4521 640 1600	Cam	1	6, 7	
6	4521 642 8700	Thrust washer	1		
7	9455 621 2150	Circlip 20x1.2	1		
8	4521 642 5100	Supporting plate	1		
9	4521 640 5800	Gearbox cover	1		
10	4521 007 1600	Set of gaskets	1		
11	4521 007 1000	Set of adhesive films	1		
12	9074 477 4132	Pan head self-tapping screw IS-P5x18	1		
13	4521 710 5900	Cutter bar assy. 450 mm / 18"	1	14 - 23	
14	4521 710 6000	Set of Blades	1		
15	4521 713 6700	Guide	1		
16	4521 711 4800	Reinforcement	1		
18	4521 648 6700	Slider	6		
17	4521 648 6701	Slider	2		
19	9075 478 4175	Pan head self-tapping screw IS-D5x28	2		
20	9298 003 3540	Washer	5		
21	9075 478 2995	Pan head self-tapping screw IS-D4x12	6		
22	4818 792 9000	Guide guard	1		
23	9075 478 0630	Pan head self-tapping screw IS-D4x8	2		
24	0000 792 9600	Blade guard 500 mm / 20"	1		

Serial number

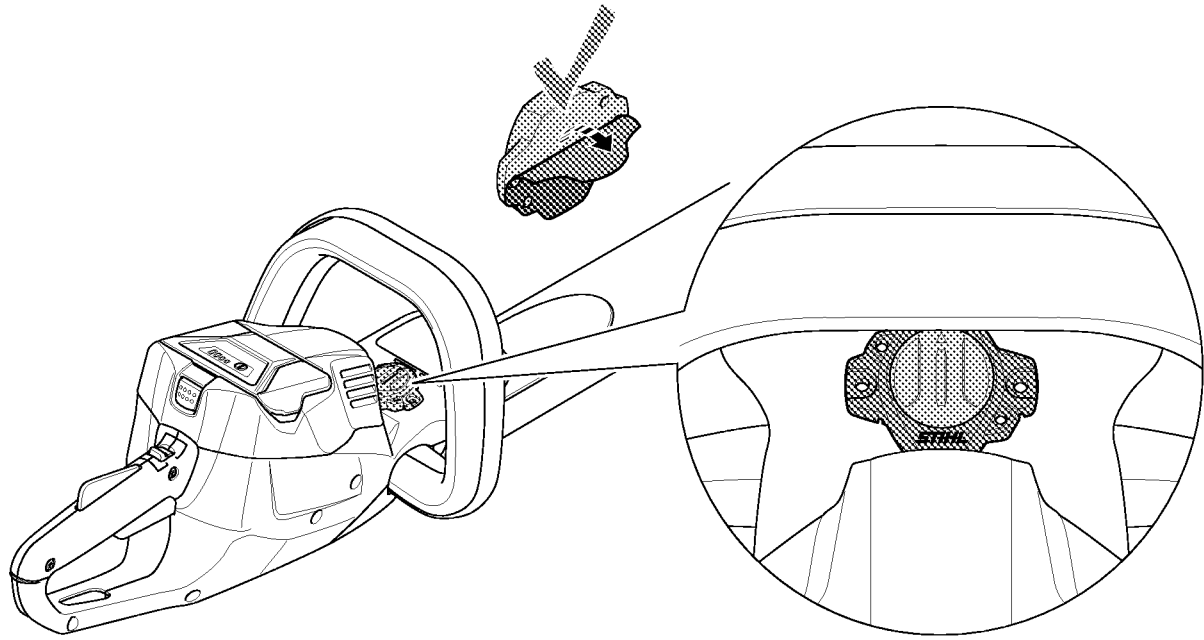


4521-GET-0006-A0

Serial number

#	Part Number	Description	Quantity	Contains Item(s)	Remarks
1		Position of serial number	1		
2	0000 967 3447	Instruction label Serial number	1		

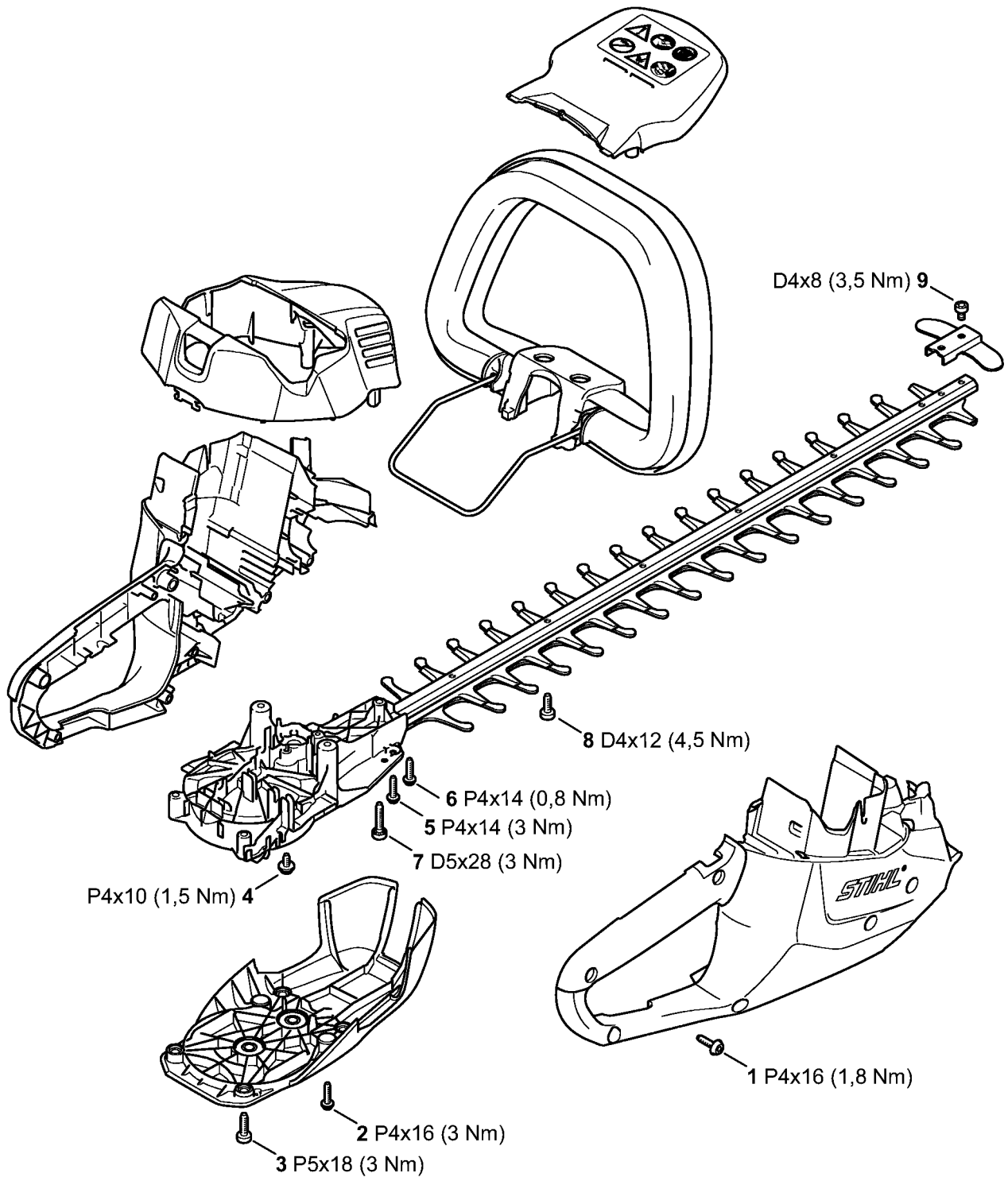
Smart Connector



Smart Connector

#	Part Number	Description	Quantity	Contains Item(s)	Remarks
		Position of Smart Connector	1		

Tightening torques

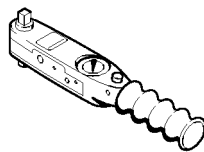


4521-GET-0005-A0

Tightening torques

#	Part Number	Description	Quantity	Contains Item(s)	Remarks
1	9074 477 3025	Pan head self-tapping screw IS-P4x16	7		
2	9074 477 3025	Pan head self-tapping screw IS-P4x16	2		
3	9074 477 4132	Pan head self-tapping screw IS-P5x18	4		
4	9104 003 2960	Self-tapping screw P4x10	2		
5	9074 478 3005	Pan head self-tapping screw IS-P4x14	2		
6	9074 478 3005	Pan head self-tapping screw IS-P4x14	2		
7	9075 478 4175	Pan head self-tapping screw IS-D5x28	2		Binding thread
8	9075 478 2995	Pan head self-tapping screw IS-D4x12	6		
9	9075 478 0630	Pan head self-tapping screw IS-D4x8	2		

Torque wrench with optical/acoustic signal

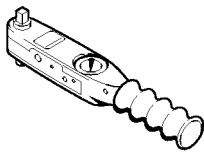


901SW292 KN

Torque wrench with optical/acoustic signal

#	Part Number	Description	Quantity	Contains Item(s)	Remarks
		Torque wrench	1		

Torque wrench

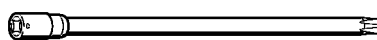


9015W293 KN

Torque wrench

#	Part Number	Description	Quantity	Contains Item(s)	Remarks
	5910 890 0301	Torque wrench	1		

Socket, T27x125

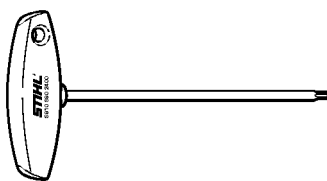


901SW091 GM

Socket, T27x125

#	Part Number	Description	Quantity	Contains Item(s)	Remarks
	0812 542 2104	Driver bit, 1/4" square drive, T27x125	1		

Screwdriver, T27x150

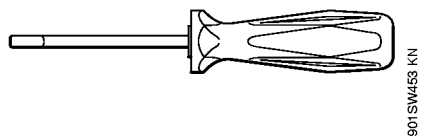


901SW575 KN

Screwdriver, T27x150

#	Part Number	Description	Quantity	Contains Item(s)	Remarks
	5910 890 2400	Screwdriver, T27x150	1		

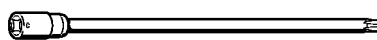
Punchdown tool



Punchdown tool

#	Part Number	Description	Quantity	Contains Item(s)	Remarks
	5910 890 4000	Punchdown tool	1		

Socket, T20x125

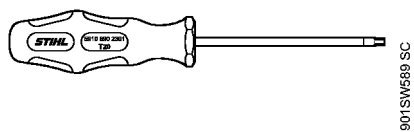


901SW090 GM

Socket, T20x125

#	Part Number	Description	Quantity	Contains Item(s)	Remarks
	0812 542 2041	Driver bit, 1/4" square drive, T20x125	1		

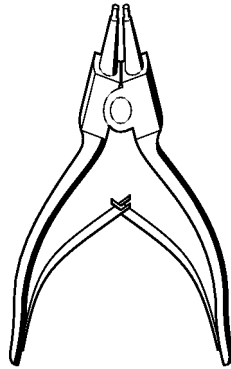
Screwdriver, T20



Screwdriver, T20

#	Part Number	Description	Quantity	Contains Item(s)	Remarks
	5910 890 2301	Screwdriver, T20	1		

Pliers A10

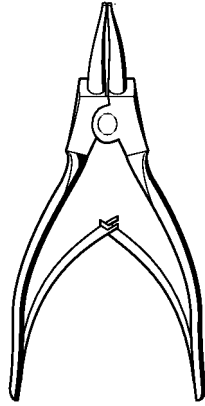


901 SW085 GM

Pliers A10

#	Part Number	Description	Quantity	Contains Item(s)	Remarks
	0811 611 8200	Pliers A10	1		

Pliers A19



901 SW086 GM

Pliers A19

#	Part Number	Description	Quantity	Contains Item(s)	Remarks
	0811 611 8380	Pliers A19	1		