

FSA 56

Spare Parts List

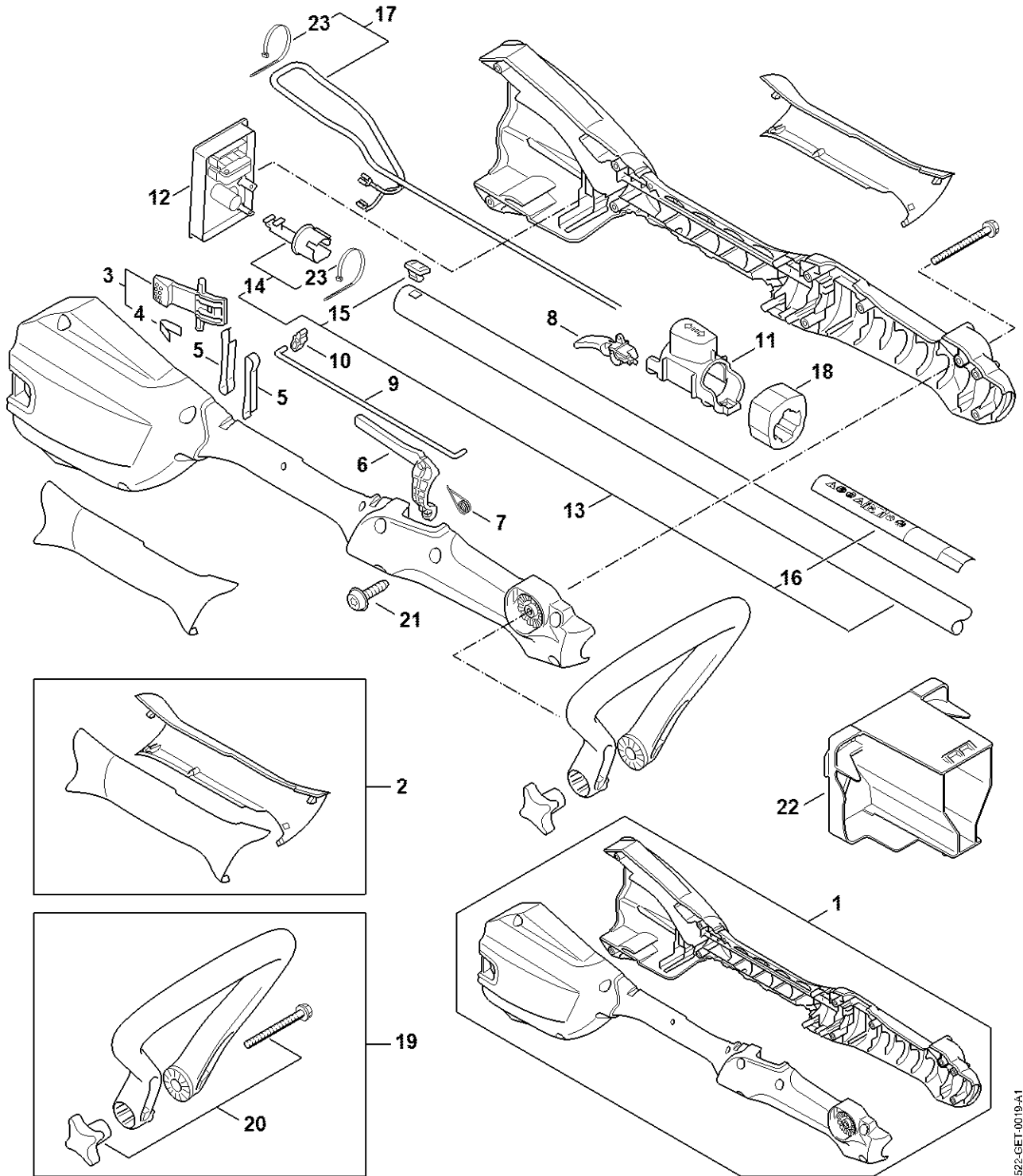
02/08/2023

Indonesia, English

Contents

Handle housing	2
Electric motor, Cutting head	4
Serial number	6
Smart Connector	8
Tightening torques	10
Torque wrench with optical/acoustic signal	12
Torque wrench	14
Punchdown tool	16
Socket, T20x125	18
Screwdriver, T20	20

Handle housing

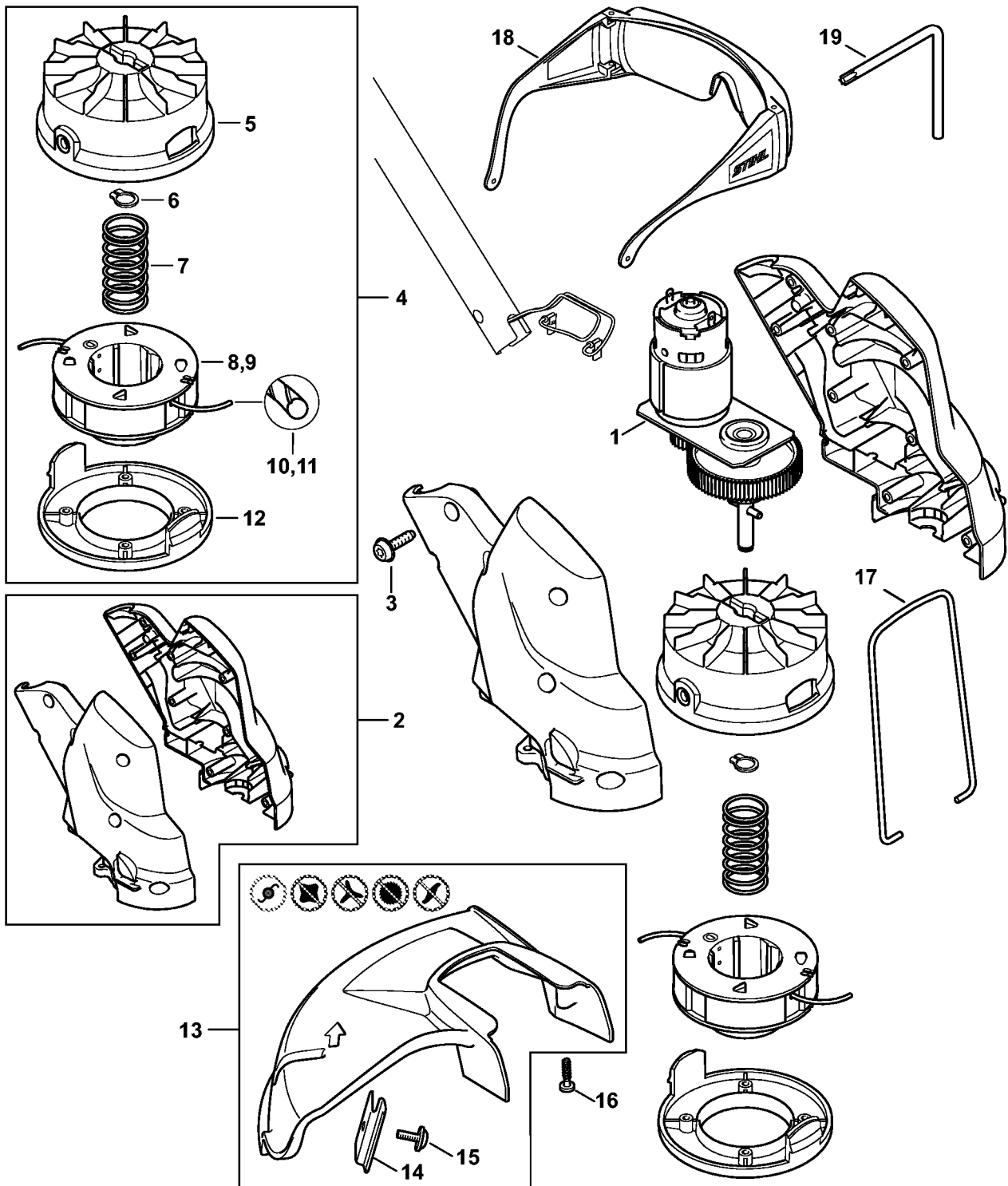


4522-GET-0019-A1

Handle housing

#	Part Number	Description	Quantity	Contains Item(s)	Remarks
1	4522 790 1000	Handle housing	1		
2	4522 790 0600	Handle molding	1		
3	4522 430 9800	Battery latch	1	4	
4	0000 997 2201	Spring	1		
5	4522 791 3100	Spring	2		
6	4522 435 6300	Trigger switch lockout	1		
7	0000 998 0409	Torsion spring	1		
8	4522 435 2400	Trigger switch	1		
9	4522 182 1500	Rod	1		
10	4522 182 2800	Lever	1		
11	4522 740 5500	Lock button	1		
12	4522 430 1400	Electronic module	1		
13	4522 710 7103	Drive tube assembly Ø	1	14 - 16, 23	
14	4522 716 3601	Bushing	1	23	
15	4522 716 7300	Guide piece	1		
16	0000 967 7341	Warning pictogram FSA	1		
17	4522 440 3001	Wiring harness	1	23	
18	4522 791 2800	Annular buffer	1		
19	4816 790 1200	Loop handle	1	20	
20	4522 007 1300	Set of mounting hardware	1		
21	9074 477 3025	Pan head self-tapping screw IS-P4x16	10		
22	4520 602 0900	Battery compartment cover	1		
23	0751 010 7385	Cable tie 2,3x79 mm	1		

Electric motor, Cutting head

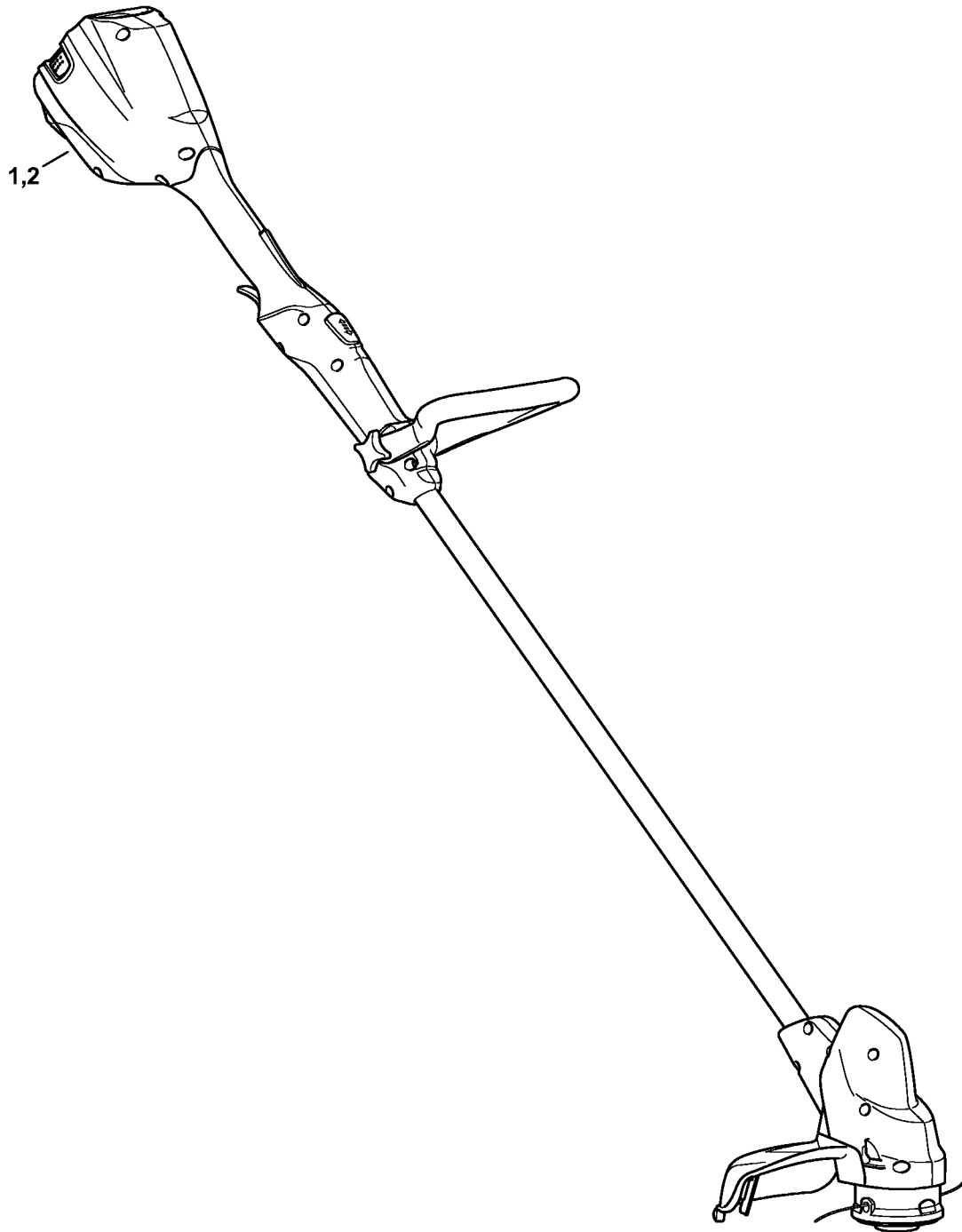


4522-GET-0012-A4

Electric motor, Cutting head

#	Part Number	Description	Quantity	Contains Item(s)	Remarks
1	4522 600 0201	Electric motor	1		
2	4522 600 0800	Motor housing	1		
3	9074 477 3025	Pan head self-tapping screw IS-P4x16	8		
4	4008 710 2100	Mowing head AutoCut 2-2	1	5 - 8, 12	
5	4008 710 3600	Spool housing	1		
6	9455 621 0570	Circlip 8x0.8	1		
7	6235 997 2200	Spring	1		
8	4008 710 4300	Spool with nylon line Ø 1,6 mm / 0.065"	1		
9	4008 710 4301	Spool with nylon line	1		
10	0000 930 2415	Line round quiet Ø 1.6 mm x 19 m blue	1		
11	0000 930 2416	Line round quiet Ø 2.0 mm x 14 m green	1		
12	4008 713 7000	Cover	1		
13	4522 710 8100	Deflector	1	14, 15	
14	4130 713 4100	Blade	1		
15	9074 478 4405	Pan head self-tapping screw IS-P6x14	1		
16	9074 477 3025	Pan head self-tapping screw IS-P4x16	2		
17	4816 713 3400	Bump Guard	1		
18	0000 884 0307	Safety glasses	1		
19	0812 370 1143	Screwdriver T20x100x50	1		

Serial number

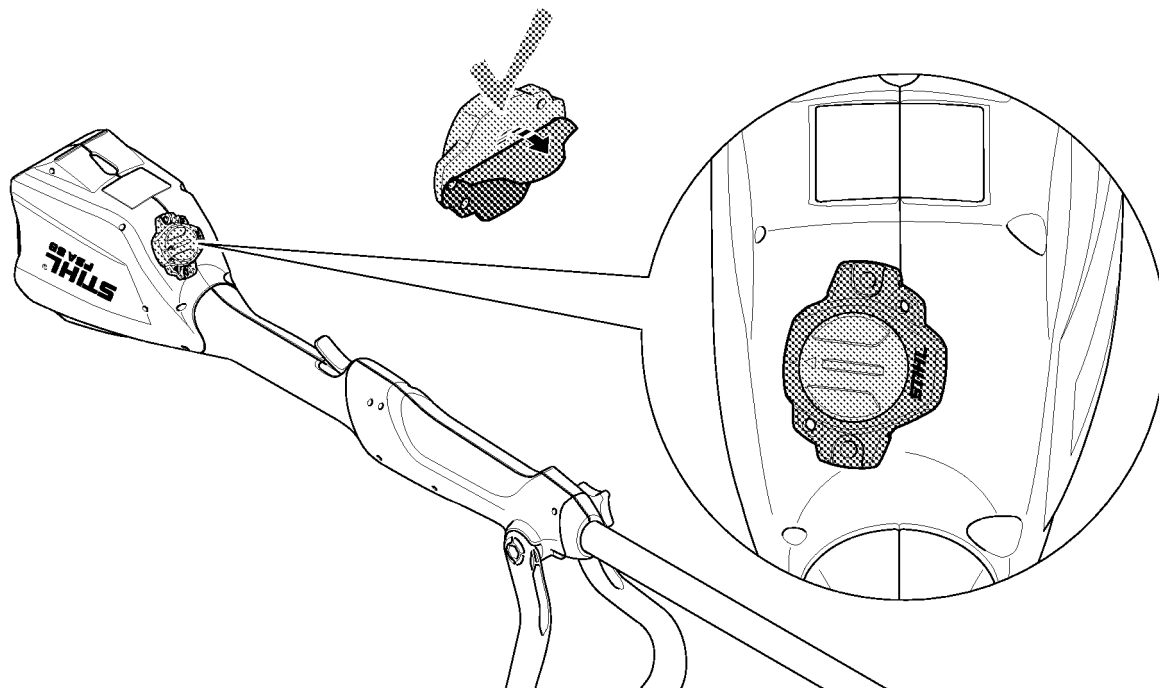


4522-GET-0002-A0

Serial number

#	Part Number	Description	Quantity	Contains Item(s)	Remarks
1		Position of serial number	1		
2	0000 967 3447	Instruction label Serial number	1		

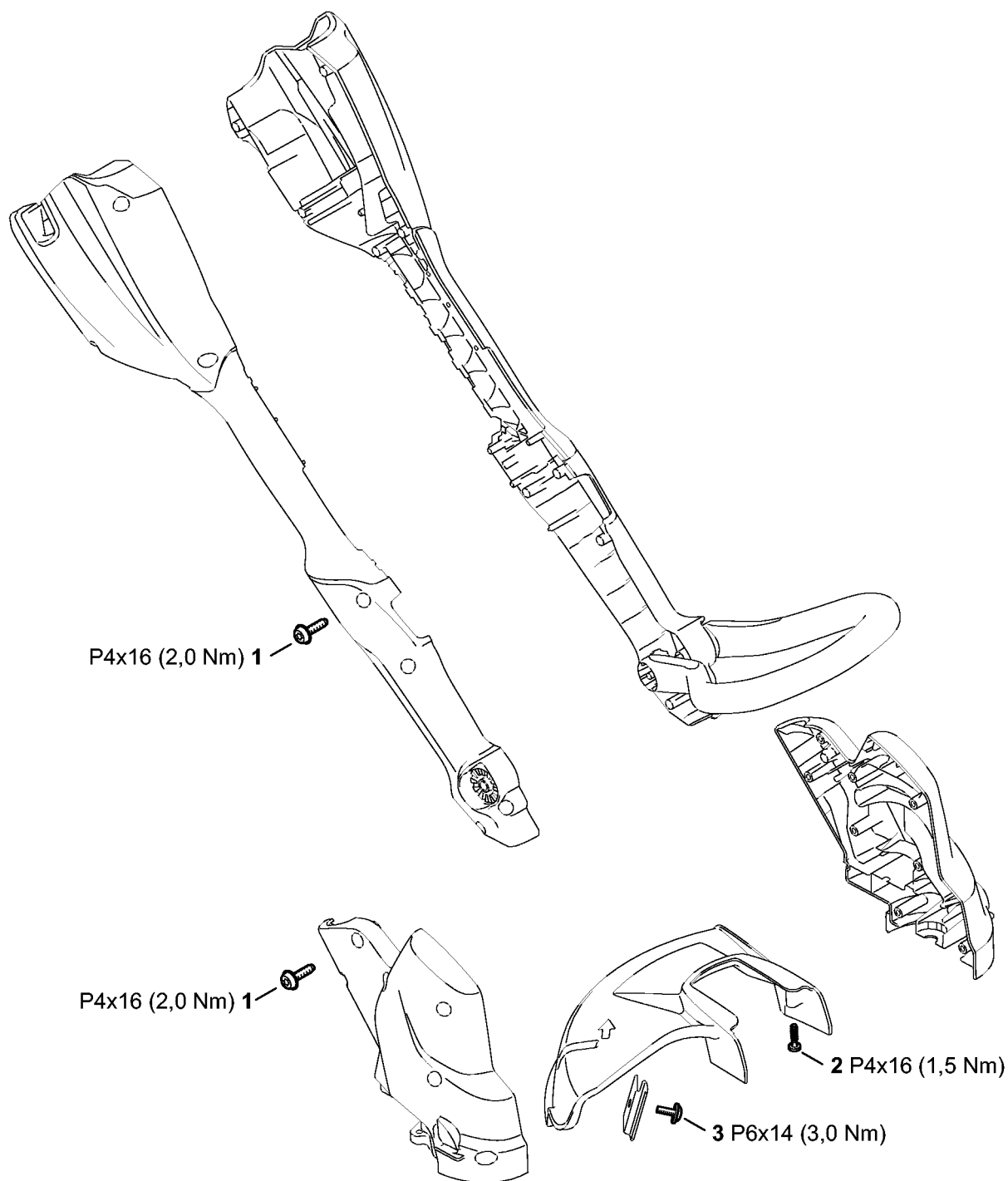
Smart Connector



Smart Connector

#	Part Number	Description	Quantity	Contains Item(s)	Remarks
		Position of Smart Connector	1		

Tightening torques

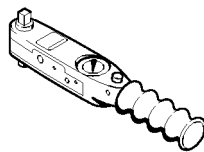


4522-GET-0006-A0

Tightening torques

#	Part Number	Description	Quantity	Contains Item(s)	Remarks
1	9074 477 3025	Pan head self-tapping screw IS-P4x16	18		
2	9074 477 3025	Pan head self-tapping screw IS-P4x16	2		
3	9074 478 4405	Pan head self-tapping screw IS-P6x14	1		

Torque wrench with optical/acoustic signal

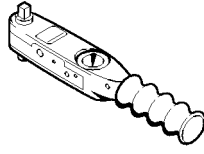


901SW292 KN

Torque wrench with optical/acoustic signal

#	Part Number	Description	Quantity	Contains Item(s)	Remarks
		Torque wrench	1		

Torque wrench

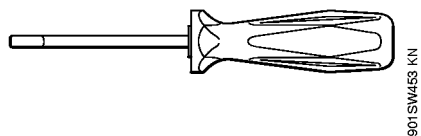


901SW293 KN

Torque wrench

#	Part Number	Description	Quantity	Contains Item(s)	Remarks
	5910 890 0301	Torque wrench	1		

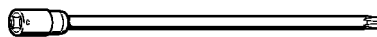
Punchdown tool



Punchdown tool

#	Part Number	Description	Quantity	Contains Item(s)	Remarks
	5910 890 4000	Punchdown tool	1		

Socket, T20x125

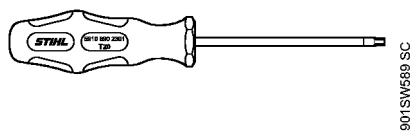


901SW090 GM

Socket, T20x125

#	Part Number	Description	Quantity	Contains Item(s)	Remarks
	0812 542 2041	Driver bit, 1/4" square drive, T20x125	1		

Screwdriver, T20



Screwdriver, T20

#	Part Number	Description	Quantity	Contains Item(s)	Remarks
	5910 890 2301	Screwdriver, T20	1		