

BR 200

Spare Parts List

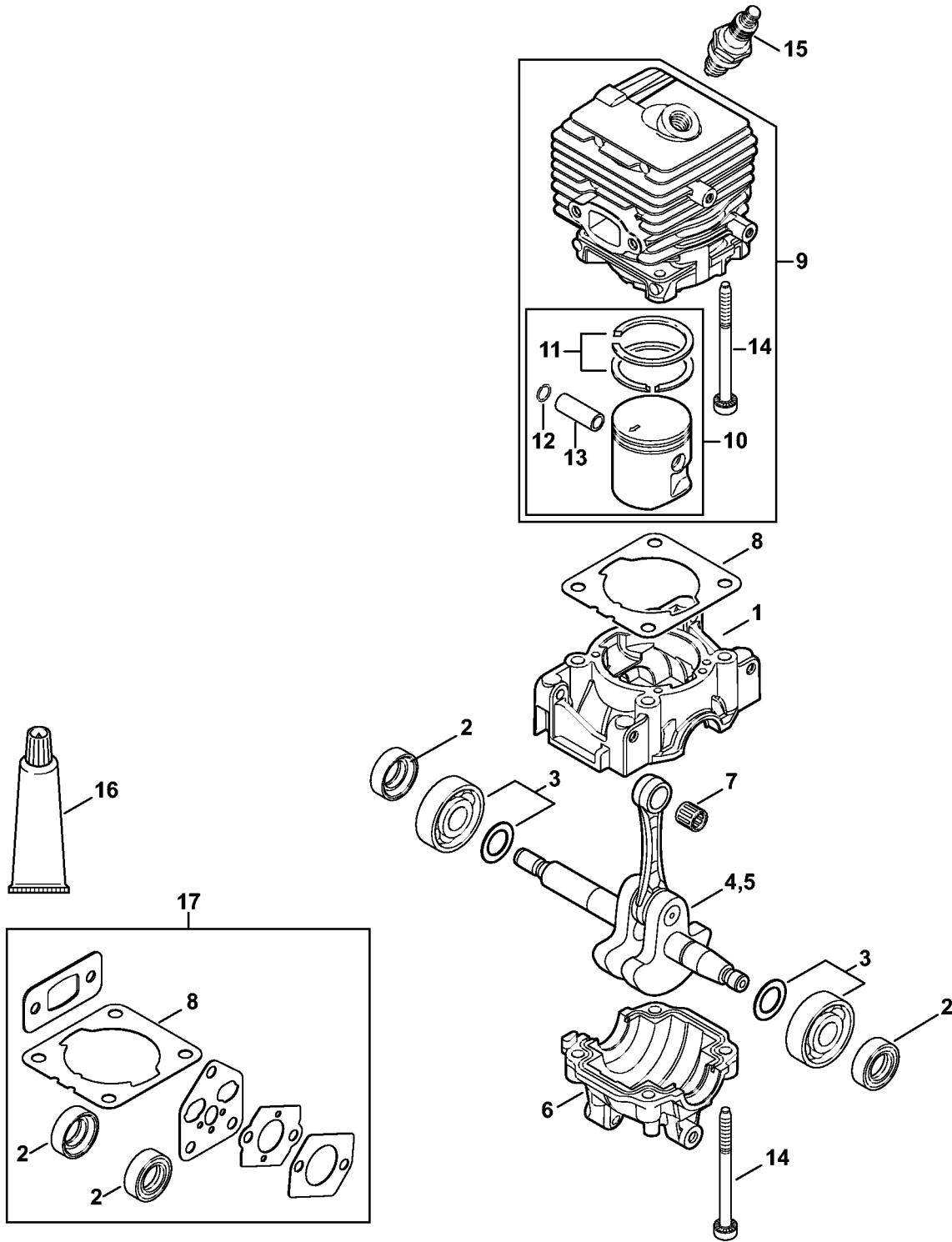
02/08/2023

Indonesia, English

Contents

Crankcase, Cylinder	2	Socket, 13 mm	62
Ignition system, Muffler	4	Ignition system tester, ZAT 3	64
Air filter, Spacer flange	6	Assembly hook	66
Carburetor 4241/25	8	Installing tool	68
Carburetor 4241/19 (037.2018)	11	Ignition system tester, ZAT 4	70
Rewind starter	14	Sleeve	72
Fan housing, Fan wheel	16	Puller	74
Fuel tank, Backplate	18	Setting disk	76
Pleated hose, Blower tube	20	Torque wrench with optical/acoustic signal	78
Control handle	22	Torque wrench with optical/acoustic signal	80
Control handle	24	Jaw (profile No. 1 and 2)	82
Control handle	26	Jaw (profile No. 3.1 and 4)	84
Tools, Extras	28	Assembly drift	86
Serial number	30	Puller	88
Miscellaneous lubricants and greases	32	Puller	90
Cleaning products	34	Locking strip	92
Nipple	36	Nipple	94
Screwdriver	38	Pump	96
Screwdriver	40	Screwdriver, T27x150	98
Threaded bushing	42	Screwdriver, T8	100
Socket, T27x125	44		
Sealing plate	46		
Hose 135 mm / 5 5/16"	48		
Press sleeve	50		
Setting gauge	52		
Installing tool	54		
Flange	56		
Installing sleeve	58		
Installing tool, 8	60		

Crankcase, Cylinder

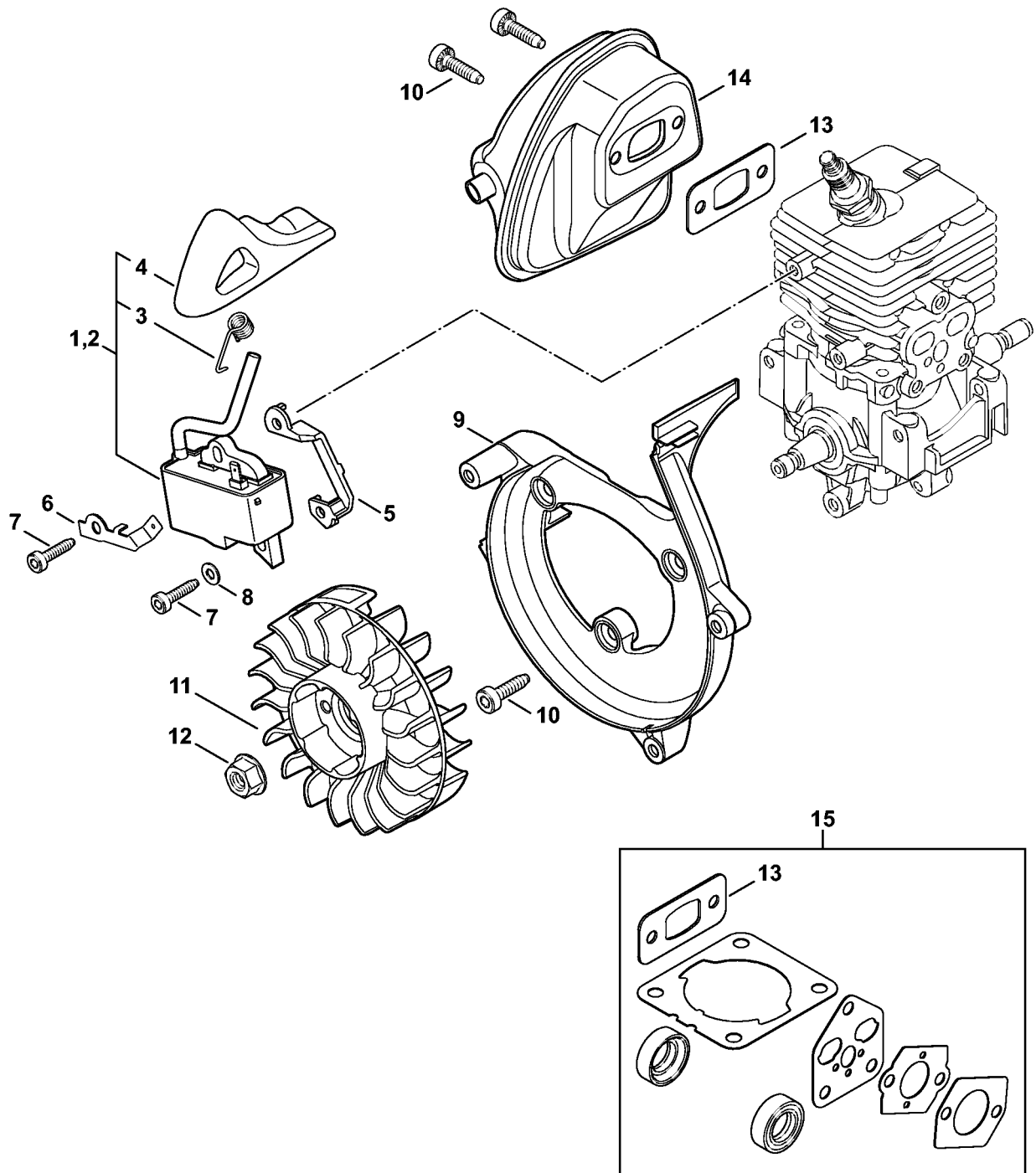


4241-GET-0111-A0

Crankcase, Cylinder

#	Part Number	Description	Quantity	Contains Item(s)	Remarks
1	4241 021 0302	Crankcase	1		
2	9639 003 1230	Oil seal 12x22x7	2		
3	4144 020 2050	Ball bearing (2 pieces)	1		
4	4241 030 0401	Crankshaft	2		
5	4241 030 0403	Crankshaft	1		
6	4144 021 2500	Engine pan	1		
7	9512 003 1834	Needle cage 8x11x10	1		
8	4144 029 2301	Cylinder gasket	1		
9	4241 020 1203	Cylinder with piston Ø 34 mm	1	10 - 14	
10	4241 030 2007	Piston Ø 34 mm	1	11 - 13	
11	4237 034 3001	Piston ring Ø 34x1.2 mm	2		
12	9463 650 0805	Snap ring 8x0.7	1		
13	4241 034 1500	Piston pin 8x5x22	1		
14	9075 478 4268	Pan head self-tapping screw IS-D5x60	4		
15	0000 400 7011	Spark plug NGK CMR6H	1		
16	0783 830 2000	Tube of sealant HT red	1		
17	4144 007 1012	Set of gaskets	1	2, 8	

Ignition system, Muffler

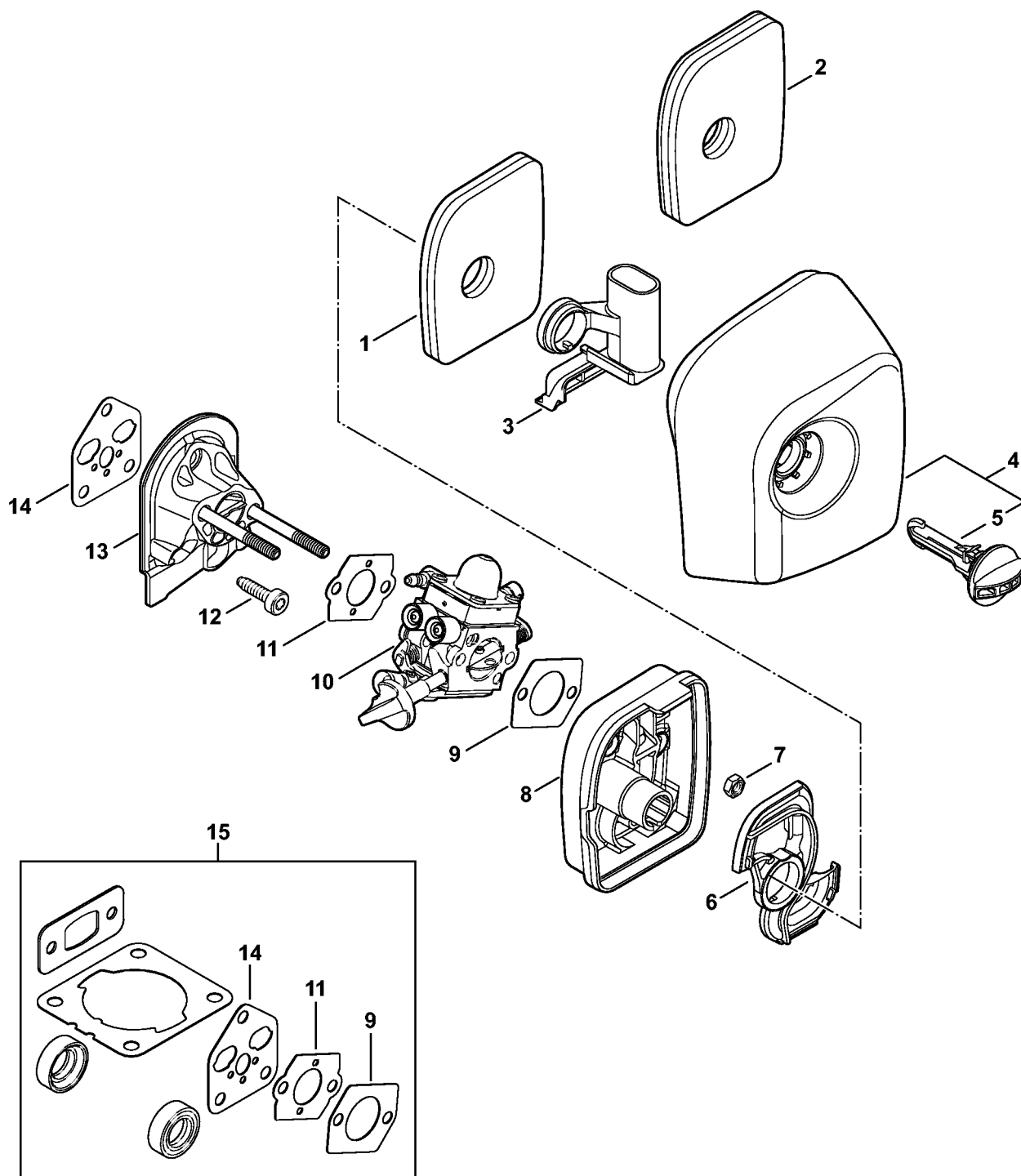


4241-GET-0119-A0

Ignition system, Muffler

#	Part Number	Description	Quantity	Contains Item(s)	Remarks
1	4241 400 1320	Ignition module	1	3, 4	
2	4241 400 1311	Ignition module	1	3, 4	
3	0000 998 0604	Spark plug contact spring	1		
4	4241 405 1000	Spark plug boot	1		
5	4241 405 8000	Insulator	1		
6	4241 431 2100	Connector tag	1		
7	9075 478 3018	Pan head self-tapping screw IS-D4x18	2		
8	9291 021 0100	Washer 4.3	1		
9	4241 084 1100	Spiral housing	1		
10	9075 478 4136	Pan head self-tapping screw IS-D5x20	5		
11	4241 400 1200	Flywheel	1		
12	0000 955 0802	Collar nut M8x1	1		
13	4144 149 0600	Muffler gasket	1		
14	4241 140 0615	Muffler	1		
15	4144 007 1012	Set of gaskets	1	13	

Air filter, Spacer flange

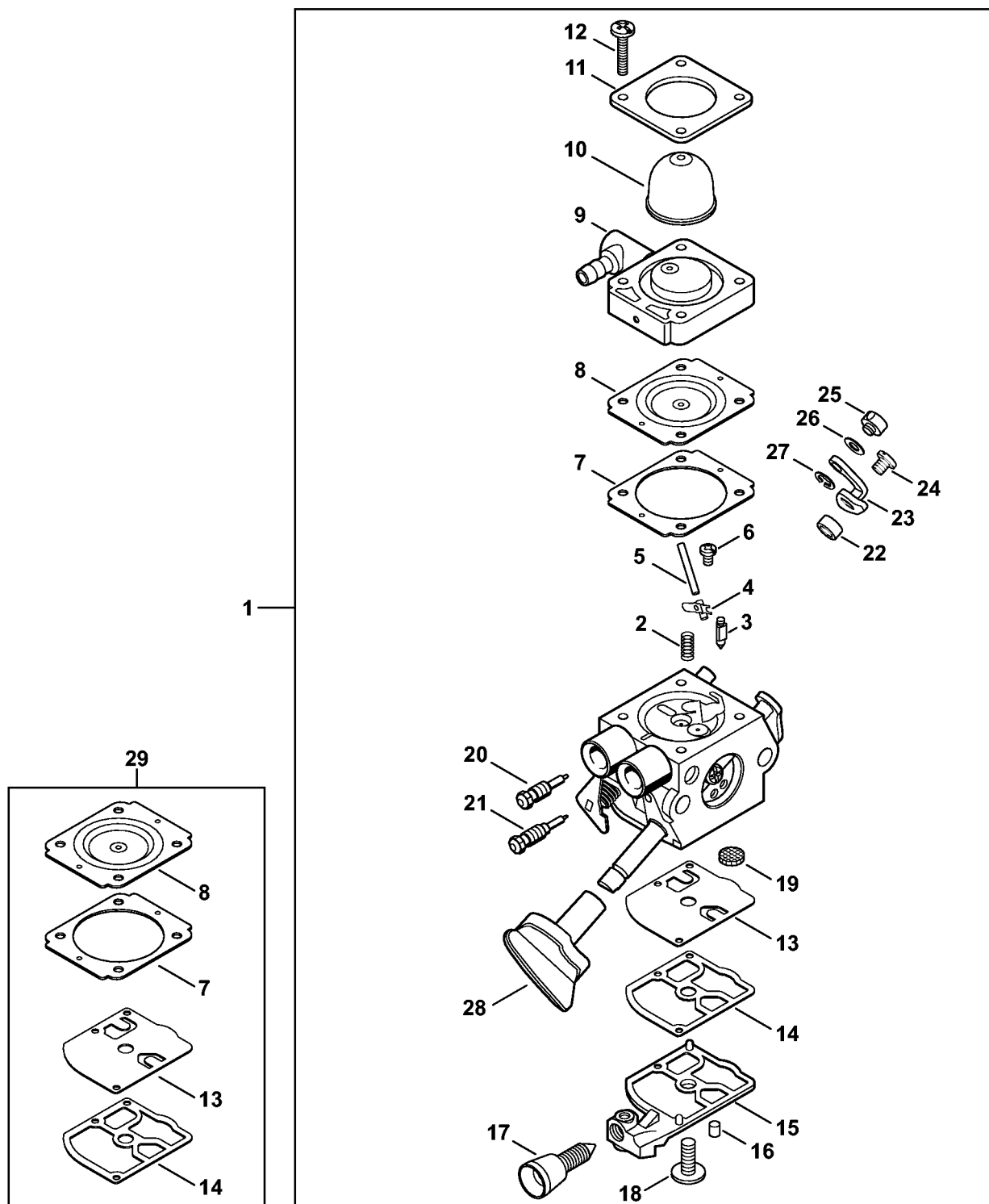


4241-GET-0025-A1

Air filter, Spacer flange

#	Part Number	Description	Quantity	Contains Item(s)	Remarks
1	4241 120 1800	Filter	1		
2	4241 140 4401	Air filter	1		
3	4241 141 1100	Insert	1		
4	4241 140 1001	Filter cover	1	5	
5		Twist lock	1		
6	4241 121 6900	Baffle	1		
7	9210 261 0700	Hexagon nut M5	2		
8	4241 140 2800	Filter housing	1		
9	4114 149 1205	Gasket	1		
10	4241 120 0625	Carburetor 4241/25	1		
11	4128 129 0900	Gasket	1		
12	9075 478 4136	Pan head self-tapping screw IS-D5x20	3		
13	4144 120 2301	Spacer flange	1		
14	4144 129 0900	Gasket	1		
15	4144 007 1012	Set of gaskets	1	9, 11, 14	

Carburetor 4241/25



4241-GET-0114-A0

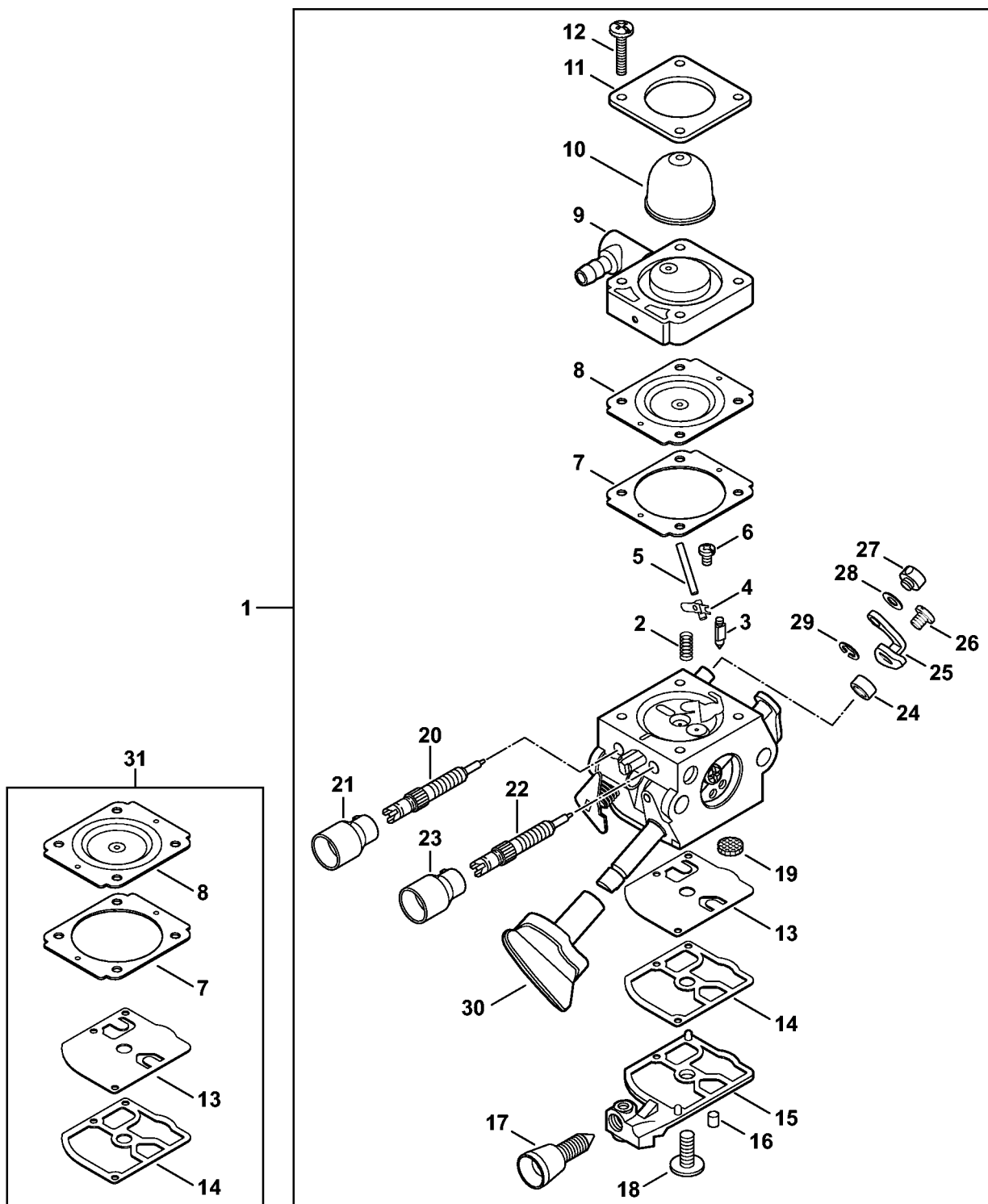
Carburetor 4241/25

#	Part Number	Description	Quantity	Contains Item(s)	Remarks
1	4241 120 0625	Carburetor 4241/25	1	2 - 28	
2	4128 122 3000	Spring	1		
3	Z000 018 Z000	Inlet needle	1		
4	1125 121 5000	Inlet control lever	1		
5	1120 121 9200	Spindle	1		
6	0000 122 7101	Screw	1		
7	4241 129 0901	Metering gasket	1		
8	4241 121 4702	Metering diaphragm	1		
9	Z010 056 A023	Base primer assy	1		
10	4226 121 2700	Cap	1		
11	4140 121 0800	End cover	1		
12	4241 122 7100	Screw	4		
13	4241 121 4800	Pump diaphragm	1		
14	1123 129 0905	Pump gasket	1		
15	4241 121 0800	End cover	1		
16	1125 122 4200	Clamp	1		
17	4140 122 6200	Idle speed screw	1		
18	1120 122 7800	Oval head screw	1		
19	1120 121 7800	Strainer	1		
20	Z000 031 Z010	Low speed screw	1		
21	Z000 030 Z007	High speed screw	1		
22	4241 122 5000	Spacer sleeve	1		
23	4241 121 3501	Throttle lever	1		
24	9079 319 0280	Flat head screw M3x3.5	1		
25	4128 121 8901	Pin	1		
26	4137 121 8600	Washer	1		
27	1120 122 9000	E-clip	1		

Carburetor 4241/25

#	Part Number	Description	Quantity	Contains Item(s)	Remarks
28	4241 182 9500	Choke knob	1		
29	4241 007 1700	Set of carburetor parts	1	7, 8, 13, 14	

Carburetor 4241/19 (037.2018)



4241-GET-0027-A0

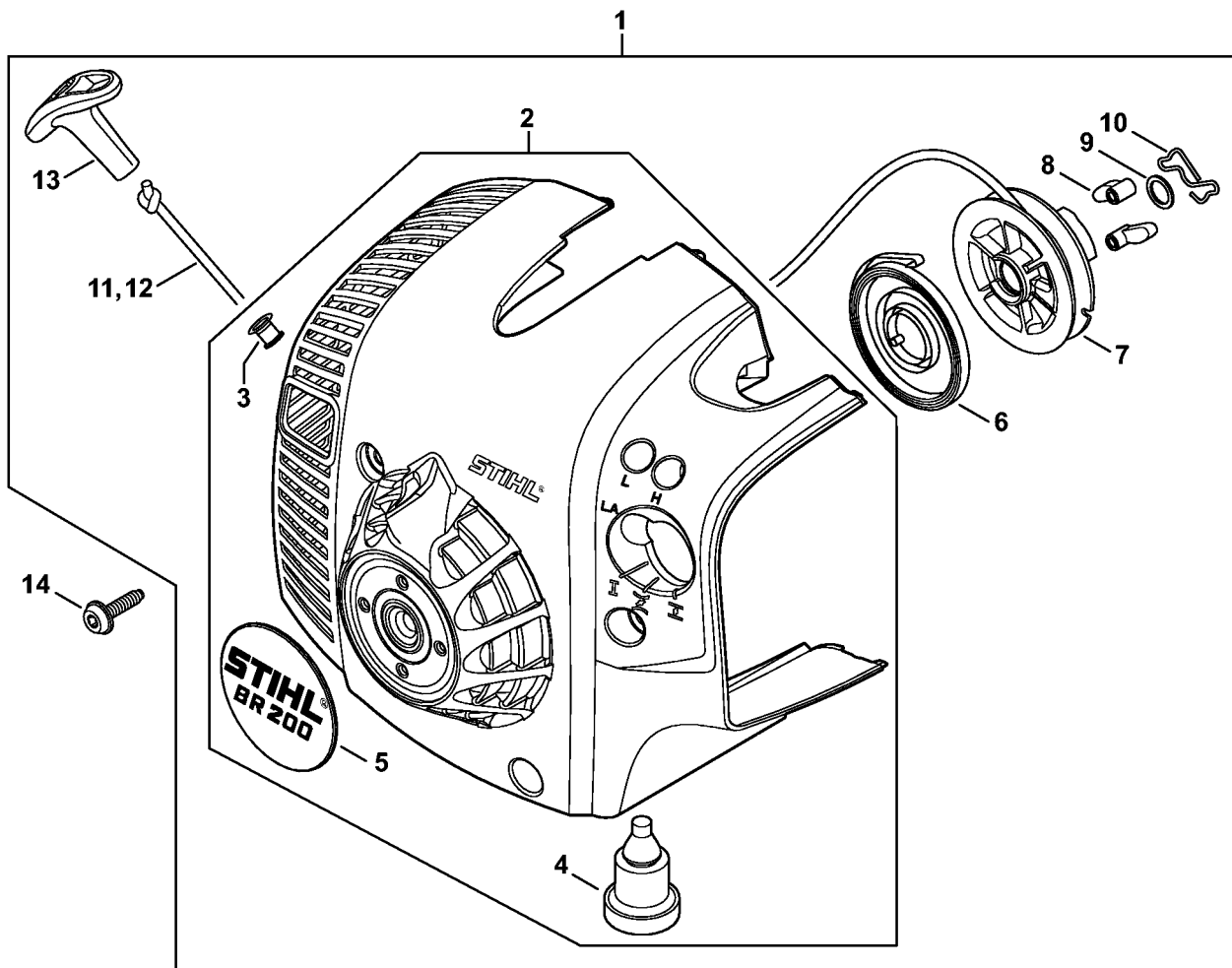
Carburetor 4241/19 (037.2018)

#	Part Number	Description	Quantity	Contains Item(s)	Remarks
1	4241 120 0619	Carburetor 4241/19	1	2 - 30	
2	4128 122 3000	Spring	1		
3	Z000 018 Z000	Inlet needle	1		
4	1125 121 5000	Inlet control lever	1		
5	1120 121 9200	Spindle	1		
6	0000 122 7101	Screw	1		
7	4241 129 0901	Metering gasket	1		
8	4241 121 4702	Metering diaphragm	1		
9	Z010 056 A023	Base primer assy	1		
10	4226 121 2700	Cap	1		
11	4140 121 0800	End cover	1		
12	4241 122 7100	Screw	4		
13	4241 121 4800	Pump diaphragm	1		
14	1123 129 0905	Pump gasket	1		
15	4241 121 0800	End cover	1		
16	1125 122 4200	Clamp	1		
17	4140 122 6200	Idle speed screw	1		
18	1120 122 7800	Oval head screw	1		
19	1120 121 7800	Strainer	1		
20	4241 120 6802	Low speed screw	1	21	
21	Z010 061 Z013	Limiter Cap	1		
22	4241 122 6702	High speed screw	1		
23	4229 121 2701	Cap	1		
24	4241 122 5000	Spacer sleeve	1		
25	4241 121 3501	Throttle lever	1		
26	9079 319 0280	Flat head screw M3x3.5	1		
27	4128 121 8901	Pin	1		

Carburetor 4241/19 (037.2018)

#	Part Number	Description	Quantity	Contains Item(s)	Remarks
28	4137 121 8600	Washer	1		
29	1120 122 9000	E-clip	1		
30	4241 182 9500	Choke knob	1		
31	4241 007 1700	Set of carburetor parts	1	7, 8, 13, 14	

Rewind starter

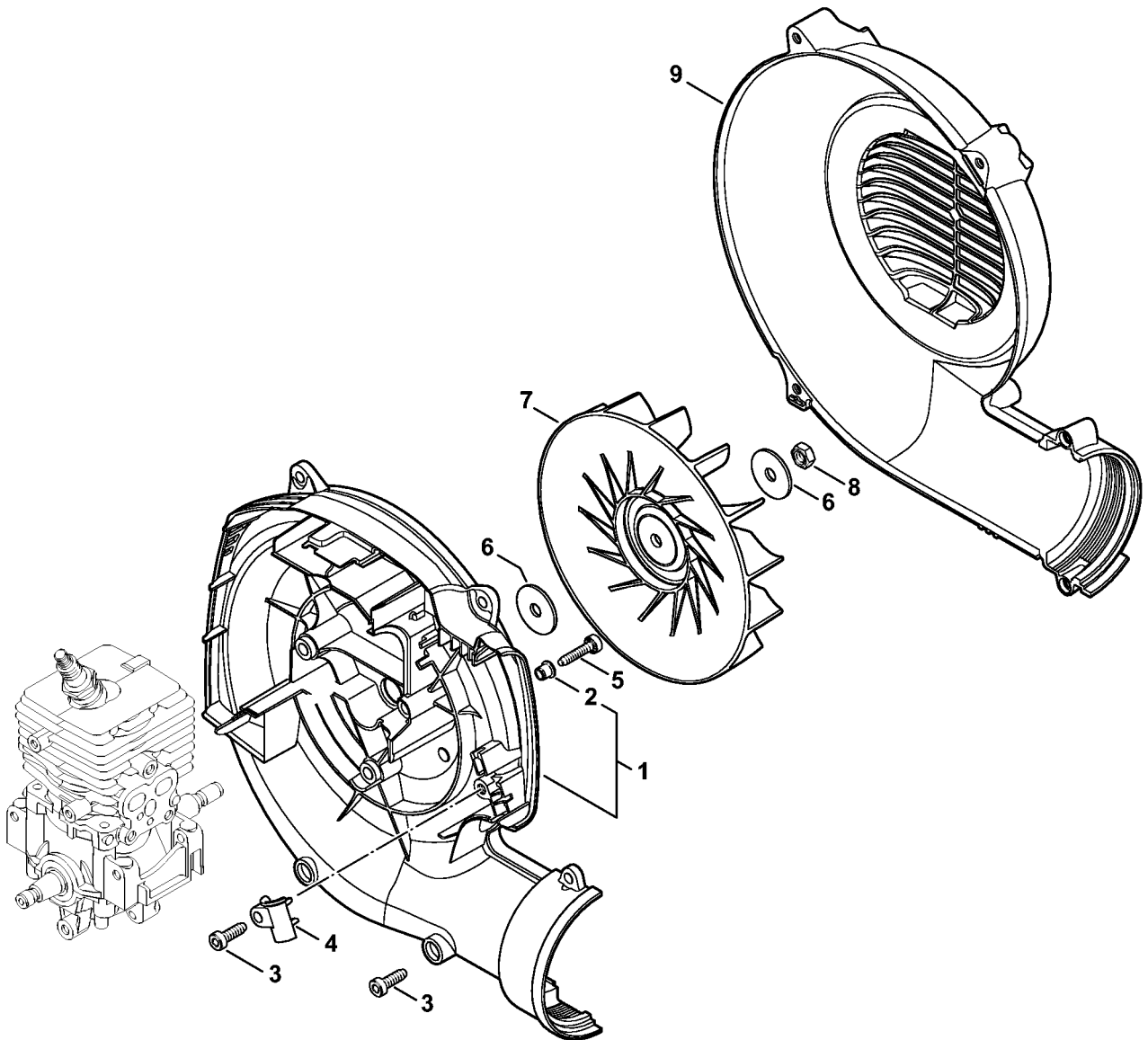


4241-GET-0039-A0

Rewind starter

#	Part Number	Description	Quantity	Contains Item(s)	Remarks
1	4241 080 2111	Fan housing with rewind starter	1	2 - 5, 7 - 11, 13	
2	4241 080 1803	Fan housing	1	3 - 5	
3	9416 868 6650	Rivet 6.5x0.5x8.8	1		
4	4282 791 5902	Stop buffer	2		
5	4241 967 1506	Model plate BR 200	1		
6	4237 190 0600	Rewind spring	1		
7	4241 195 0400	Rope rotor	1		
8	1123 195 7200	Pawl	2		
9	0000 958 0923	Washer	1		
10	1128 195 3500	Spring	1		
11	1120 195 8200	Starter rope Ø 3x1060 mm	1		
12	0000 930 2208	Starter rope Ø 3 mm x 30.5 m	1		
12	0000 930 2211	Starter rope Ø 3 mm x 60.8 m	1		
13	4140 195 3400	Starter grip	1		
14	0000 951 1100	Screw IS-D5x20	3		

Fan housing, Fan wheel

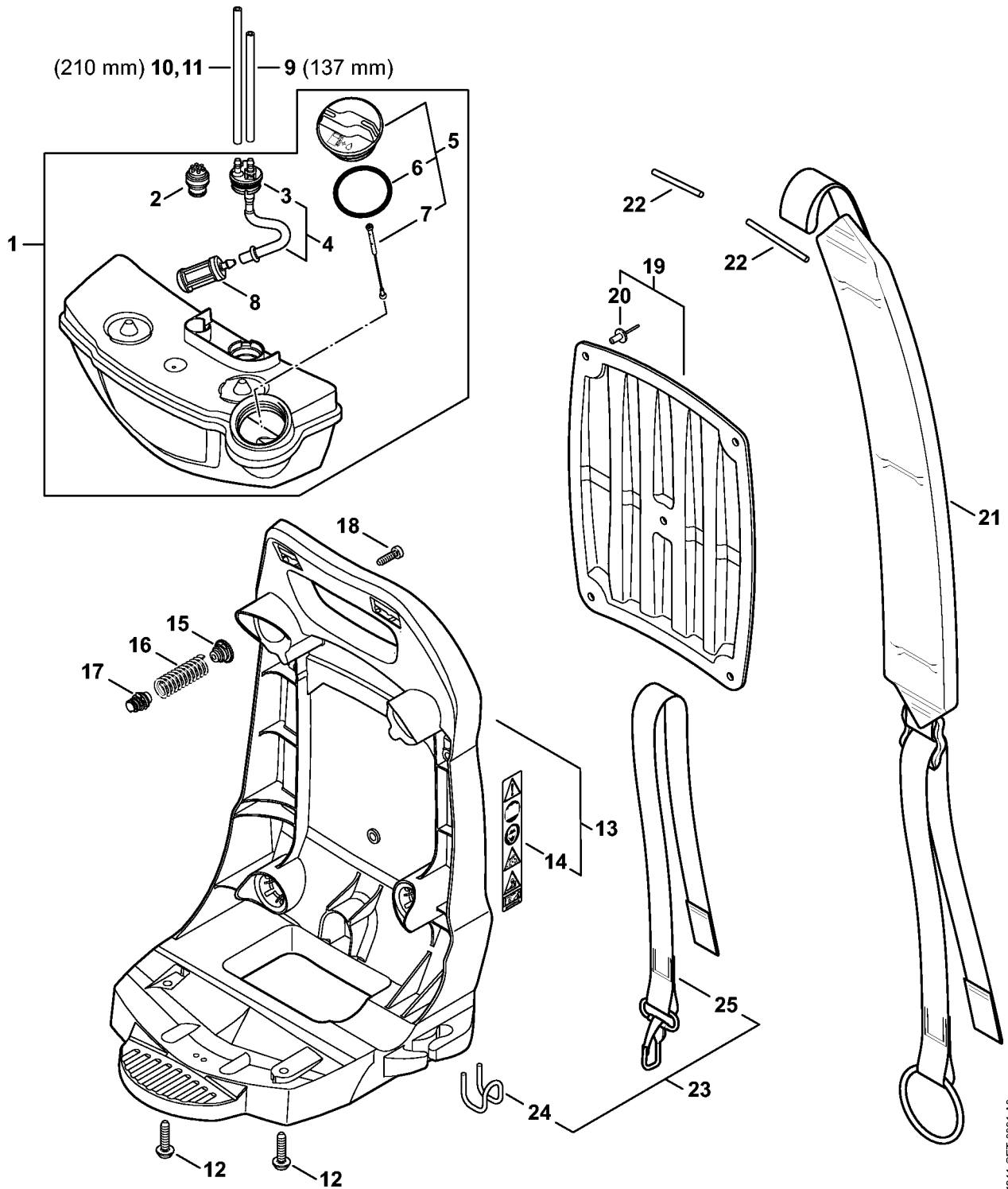


4241-GET-0025-A0

Fan housing, Fan wheel

#	Part Number	Description	Quantity	Contains Item(s)	Remarks
1	4241 700 4105	Fan housing	1	2	
2	9443 825 7130	Hollow rivet 7.5x1x6.8	3		
3	9074 478 4425	Pan head self-tapping screw IS-P6x19	6		
4	4203 182 2107	Support	1		
5	9075 478 4159	Pan head self-tapping screw IS-D5x24	3		
6	4229 704 7900	Washer	2		
7	4241 704 3405	Fanwheel	1		
8	9211 260 1150	Hexagon nut M8x1 l/h thread	1		
9	4241 701 0705	Fan housing, outer	1		

Fuel tank, Backplate

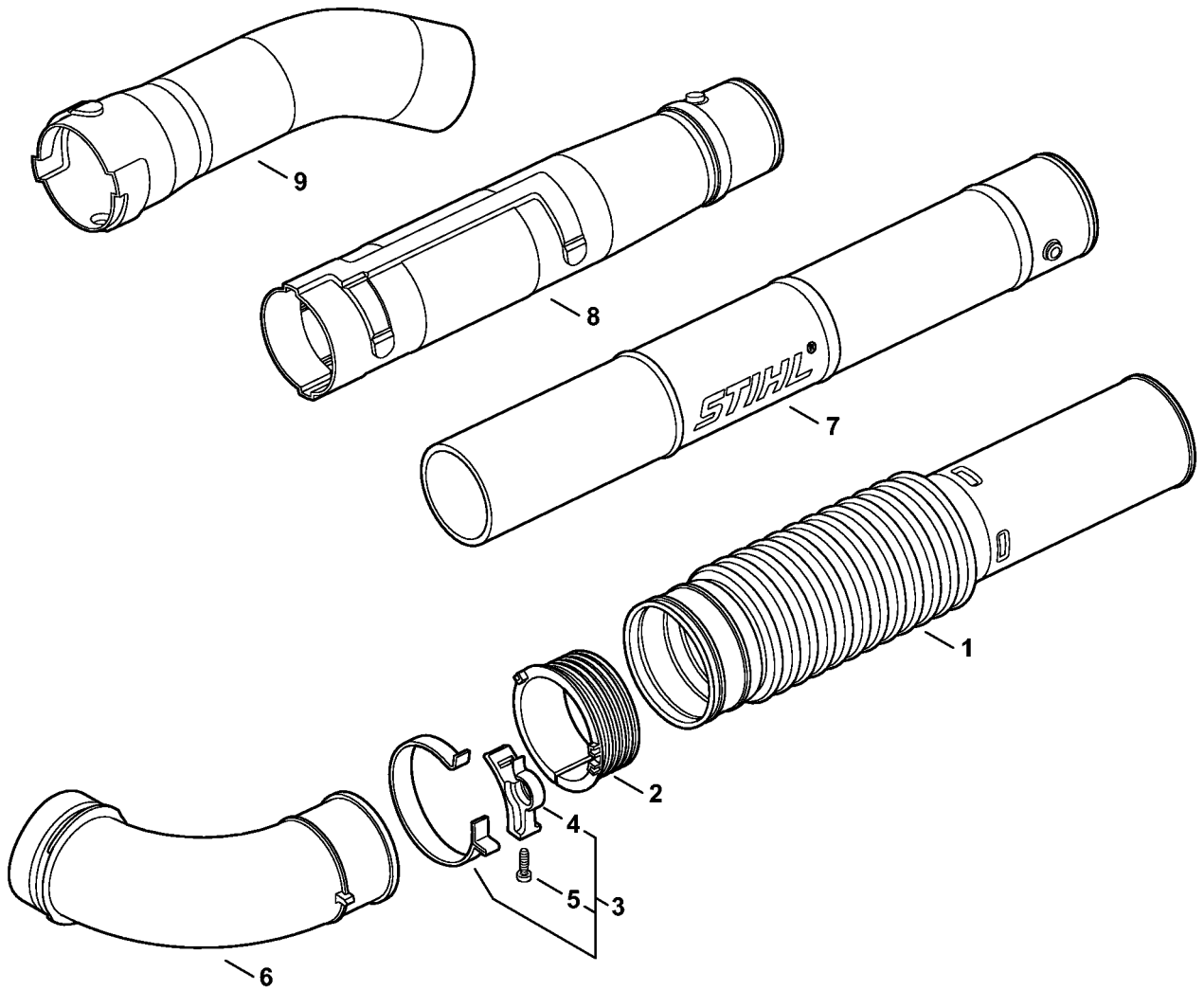


4241-GET-0031-A0

Fuel tank, Backplate

#	Part Number	Description	Quantity	Contains Item(s)	Remarks
1	4241 350 0400	Fuel tank	1	2 - 8	
2	0000 350 5800	Tank vent	1		
3	4180 350 1402	Connector	1	4	
4		Hose	1		
5	0000 350 0527	Filler cap	1	6, 7	
6	9645 951 3890	O-ring 35x3-FPM 80	1		
7	0000 350 0900	Rope	1		
8	0000 350 3502	Pickup body	1		
9	0000 937 5004	Hose 3.1x5.7 mm x 1 m, R5	1		
10	0000 930 2803	Hose 3.1x5.7 mm x 1 m, R3	1		
11	0712 923 8004	Hose 3.1x5.7 mm x 10 m, R3	1		
12	9074 478 4140	Pan head self-tapping screw IS-P6x25	2		
13	4241 700 3803	Back plate	1	14	
14	0000 967 7335	Warning pictogram BR	1		
15	4241 792 2900	AV mount	4		
16	4241 791 3100	Spring	4		
17	4241 792 2901	AV mount	4		
18	9074 477 4132	Pan head self-tapping screw IS-P5x18	4		
19	4241 790 8001	Back rest pad	1	20	
20	0751 030 7651	Rivet 5.9x17	5		
21	4241 710 9000	Harness	2		
22	4227 704 0900	Shaft	2		
23	4244 007 1008	Repair kit hook	1	24, 25	
24	4244 791 4600	Hook	1		
25	4244 710 6900	Snap hook with strap	1		

Pleated hose, Blower tube

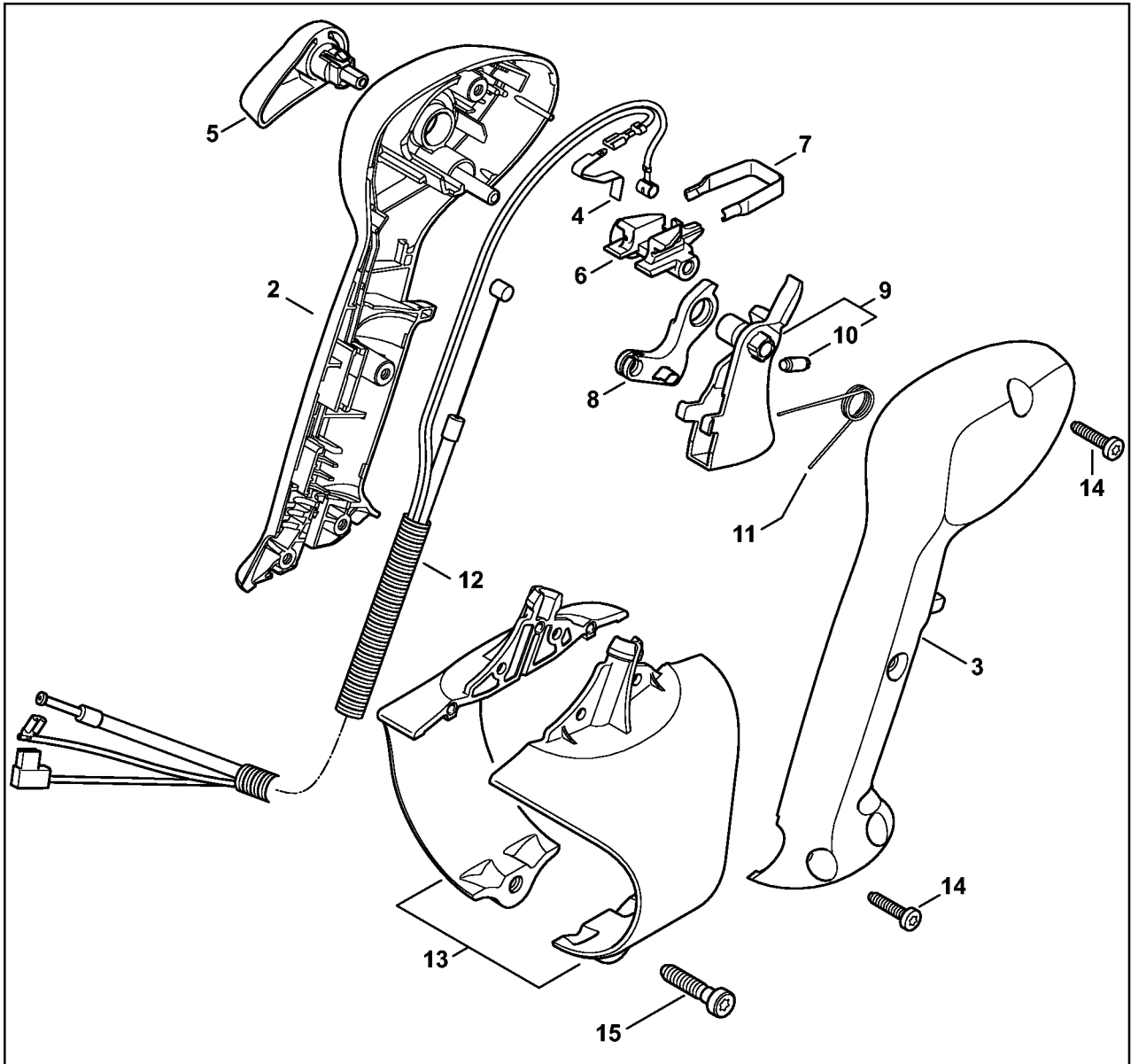


4241-GET-0033-A0

Pleated hose, Blower tube

#	Part Number	Description	Quantity	Contains Item(s)	Remarks
1	4241 701 6100	Pleated hose	1		
2	4203 701 6300	Slip ring	1		
3	4203 700 7100	Hose clip	1	4, 5	
4	4203 708 8201	Bracket	1		
5	9074 478 4425	Pan head self-tapping screw IS-P6x19	1		
6	4203 708 6901	Elbow	1		
7	4203 708 3404	Blower tube Ø 80 mm	1		
8	4241 708 3402	Tube	1		
9	4241 708 6340	Round nozzle curved	1		

Control handle

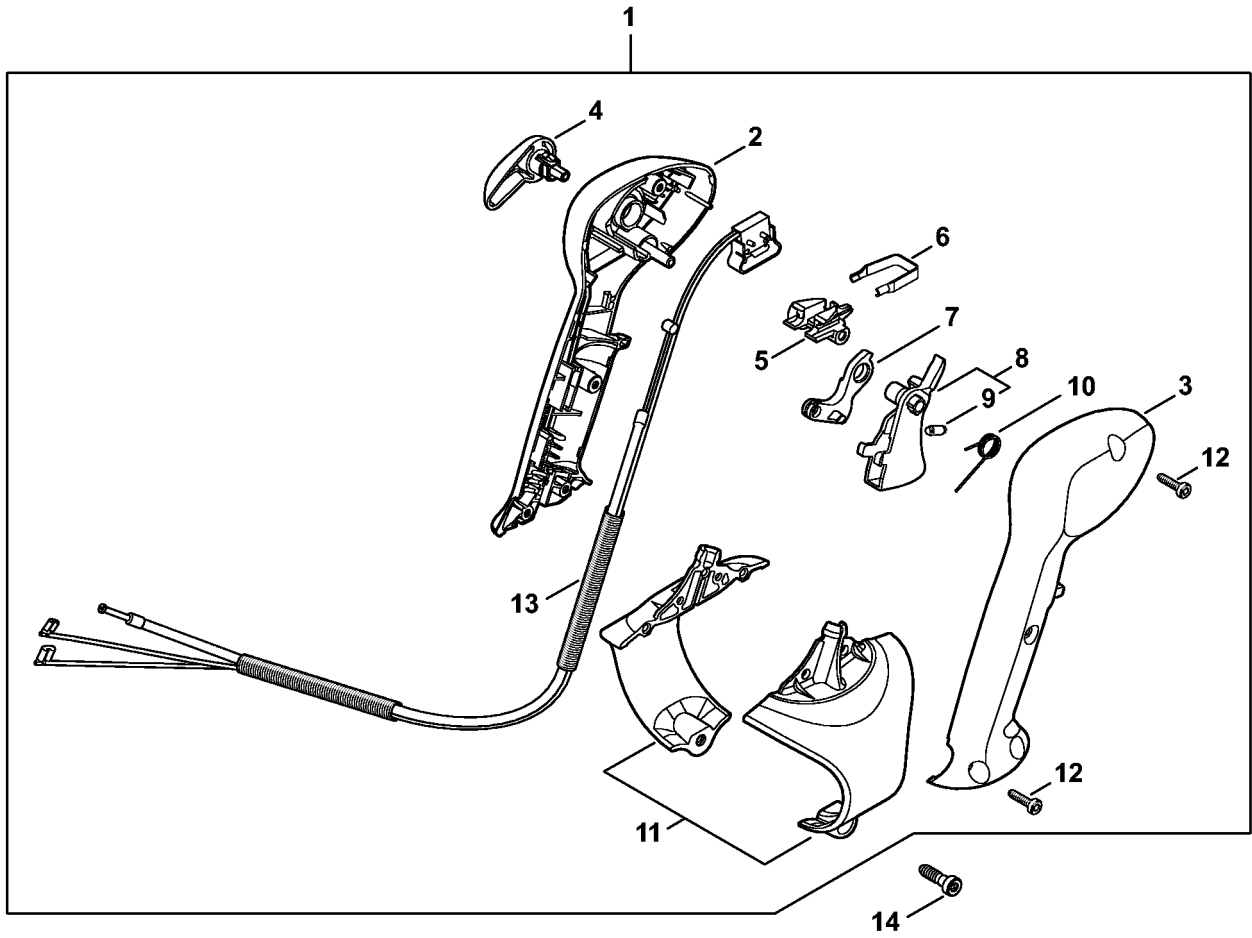


4241-GET-0122-A0

Control handle

#	Part Number	Description	Quantity	Contains Item(s)	Remarks
1	4241 790 4901	Control handle with throttle cable	1	2 - 15	
2	4241 791 0804	Handle molding, inner	1		
3	4241 791 0803	Handle molding, outer	1		
4	4282 442 1603	Contact spring	1		
5	4241 182 2901	Locking lever	1		
6	4241 182 4301	Cam	1		
7	4241 182 4201	Detent spring	1		
8	4244 182 2800	Lever	1		
9	4241 180 1500	Throttle trigger	1	10	
10	0000 953 0808	Stud	1		
11	4241 182 4502	Torsion spring	1		
12	4241 180 1105	Throttle cable	1		
13	4241 790 0701	Support	1		
14	9074 478 3075	Pan head self-tapping screw IS-P4x19	4		
15	9074 478 4547	Pan head self-tapping screw IS-P6x26	1		

Control handle

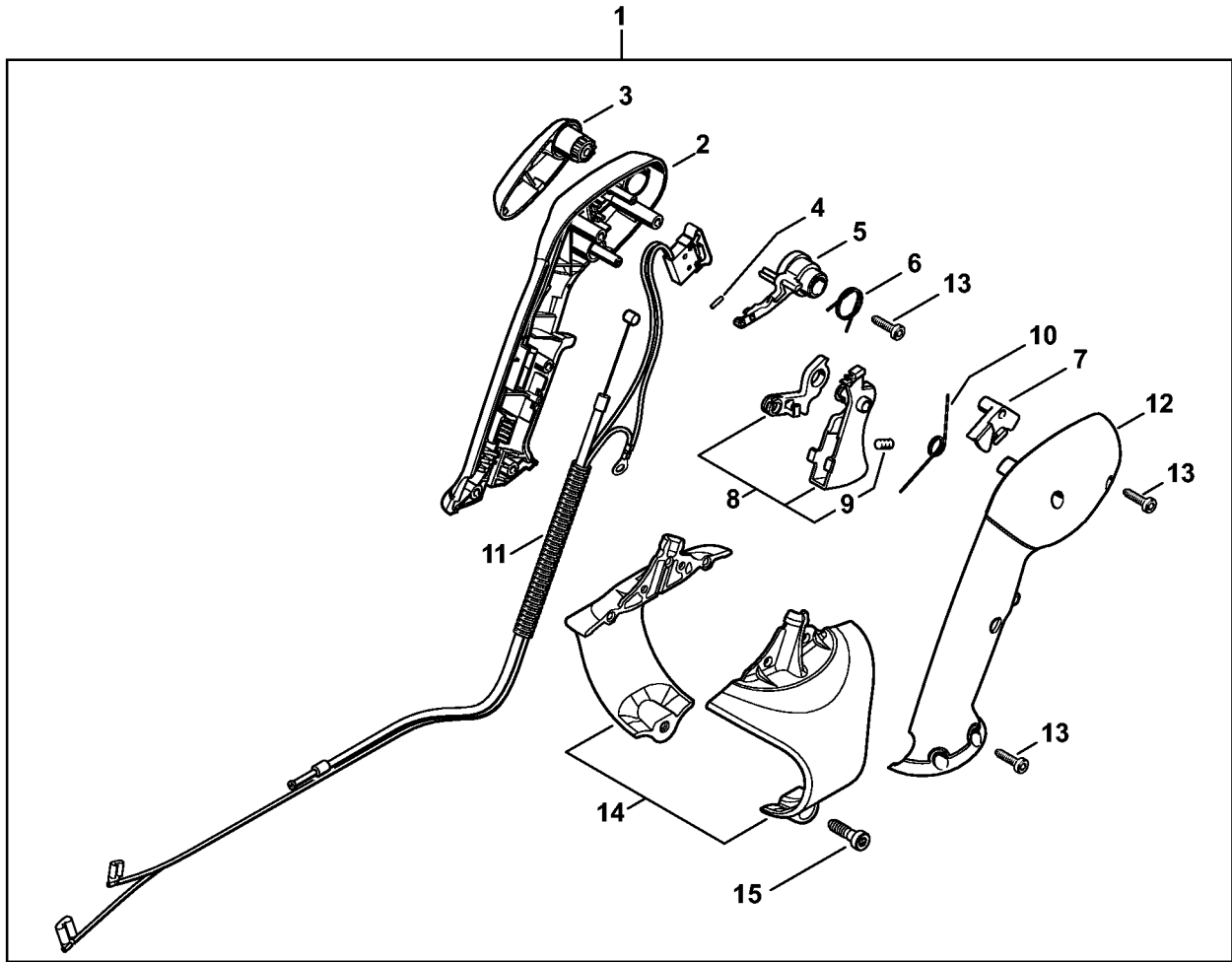


4241-GET-0123-A0

Control handle

#	Part Number	Description	Quantity	Contains Item(s)	Remarks
1	4241 790 4900	Control handle with throttle cable	1	2 - 13	
2	4241 791 0804	Handle molding, inner	1		
3	4241 791 0803	Handle molding, outer	1		
4	4241 182 2901	Locking lever	1		
5	4241 182 4301	Cam	1		
6	4241 182 4201	Detent spring	1		
7	4244 182 2800	Lever	1		
8	4241 180 1500	Throttle trigger	1	9	
9	0000 953 0808	Stud	1		
10	4241 182 4502	Torsion spring	1		
11	4241 790 0701	Support	1		
12	9074 478 3075	Pan head self-tapping screw IS-P4x19	4		
13	4241 180 1101	Throttle cable	1		
14	9074 478 4547	Pan head self-tapping screw IS-P6x26	1		

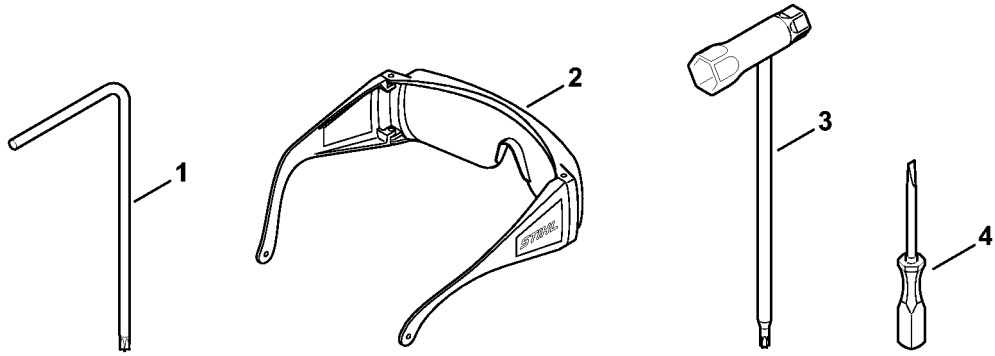
Control handle



4241-GET-0124-A0

Control handle

#	Part Number	Description	Quantity	Contains Item(s)	Remarks
1	4241 790 1300	Control handle	1	2 - 15	
2	4282 791 0810	Handle molding, inner	1		
3	4282 182 2900	Locking lever	1		
4	9371 470 1060	Cylindrical pin ISO2338-2m6x8	1		
5	4282 182 4300	Cam	1		
6	4282 182 4520	Torsion spring	1		
7	4282 182 0800	Lockout lever	1		
8	4282 180 1500	Throttle trigger	1	9	
9	0000 953 0808	Stud	1		
10	4282 182 4500	Torsion spring	1		
11	4241 180 1100	Throttle cable	1		
12	4282 791 0811	Handle molding, outer	1		
13	9074 478 3075	Pan head self-tapping screw IS-P4x19	6		
14	4241 790 0701	Support	1		
15	9074 478 4547	Pan head self-tapping screw IS-P6x26	1		

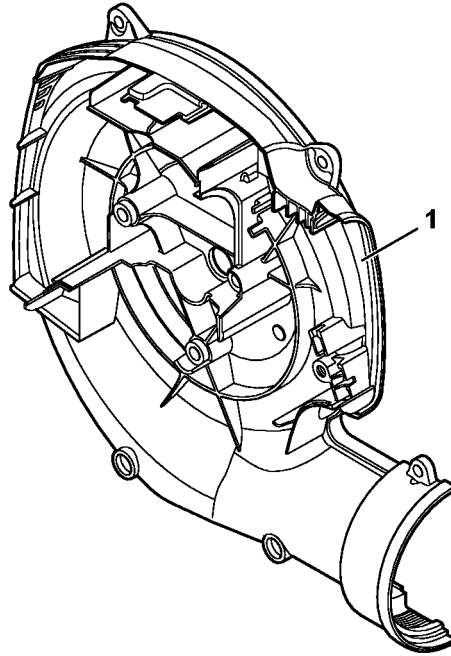


4241-GET-0037-A0

Tools, Extras

#	Part Number	Description	Quantity	Contains Item(s)	Remarks
1	0812 370 1000	Screwdriver T27x120x70	1		
2	0000 884 0307	Safety glasses	1		
3	4180 890 3400	Combination wrench	1		
4	0000 890 2300	Screwdriver	1		

Serial number

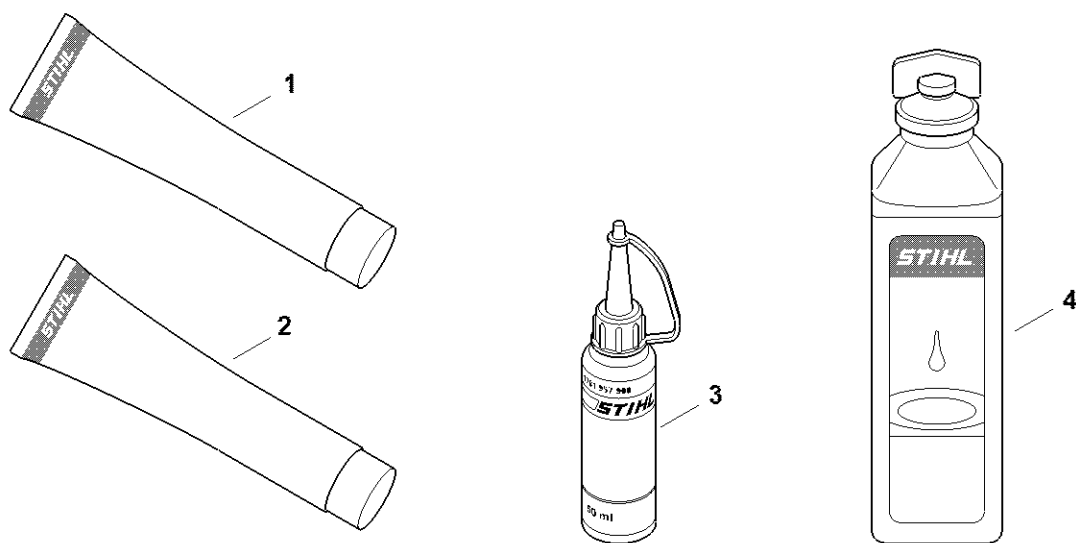


4241-GET-0038-A0

Serial number

#	Part Number	Description	Quantity	Contains Item(s)	Remarks
1		Position of serial number	1		

Miscellaneous lubricants and greases

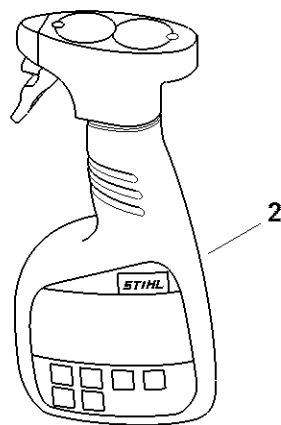
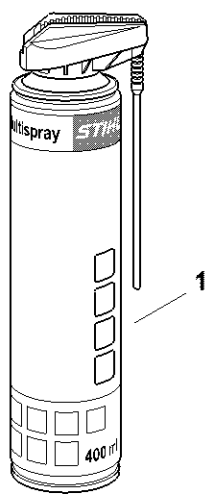


0000-GET-0189-A0

Miscellaneous lubricants and greases

#	Part Number	Description	Quantity	Contains Item(s)	Remarks
1	0781 120 1021	STIHL Multilub 40g tube	1		
1	0781 120 1109	Multipurpose grease 80 g	1		
1	0781 120 1110	Multipurpose grease 225 g	1		
2	0783 830 2000	Tube of sealant HT red	1		
3	0781 957 9000	Press fluid OH 723	1		
4	0781 319 8401	HP 100ml	1		
4	0781 319 8052	HP Super 100ml	1		
4	0781 319 8060	HP Ultra 100ml	1		

Cleaning products

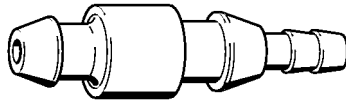


0000-GET-0172-A0

Cleaning products

#	Part Number	Description	Quantity	Contains Item(s)	Remarks
1	0730 411 7002	Multispray 50 ml	1		
1	0730 411 7000	Multispray	1		
2	0000 881 9400	VarioClean 500 ml	1		
2	0000 881 9409	Special cleaner 5 l	1		
3	0782 516 8500	Multioil Bio 50 ml	1		

Nipple

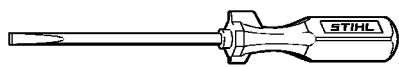


901SW008 GM

Nipple

#	Part Number	Description	Quantity	Contains Item(s)	Remarks
	0000 855 9200	Nipple	1		

Screwdriver

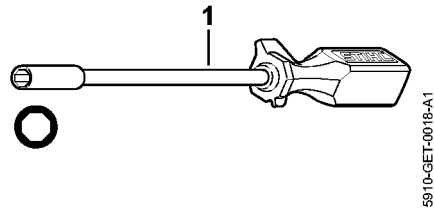


901SW072 GM

Screwdriver

#	Part Number	Description	Quantity	Contains Item(s)	Remarks
	5910 890 2305	Screwdriver	1		

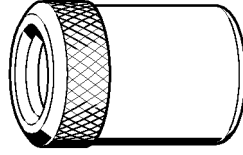
Screwdriver



Screwdriver

#	Part Number	Description	Quantity	Contains Item(s)	Remarks
1	5910 890 2314	Screwdriver	1		

Threaded bushing

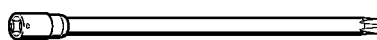


901SW024 GM

Threaded bushing

#	Part Number	Description	Quantity	Contains Item(s)	Remarks
	1108 893 4500	Threaded bushing	1		

Socket, T27x125



901SW091 GM

Socket, T27x125

#	Part Number	Description	Quantity	Contains Item(s)	Remarks
	0812 542 2104	Driver bit, 1/4" square drive, T27x125	1		

Sealing plate



901 SW078 GM

Sealing plate

#	Part Number	Description	Quantity	Contains Item(s)	Remarks
	0000 855 8106	Sealing plate	1		

Hose 135 mm / 5 5/16"



901SW100 GM

Hose 135 mm / 5 5/16"

#	Part Number	Description	Quantity	Contains Item(s)	Remarks
	1110 141 8600	Hose 135 mm / 5 5/16"	1		

Press sleeve

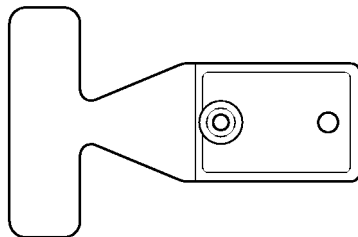


901SW124 GM

Press sleeve

#	Part Number	Description	Quantity	Contains Item(s)	Remarks
	1121 893 2400	Press sleeve	1		

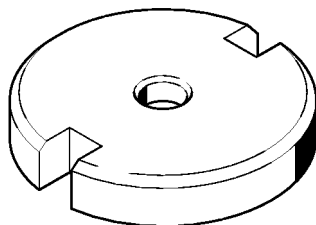
Setting gauge



901 SW138 GM

Setting gauge

#	Part Number	Description	Quantity	Contains Item(s)	Remarks
	1127 890 6400	Setting gauge	1		

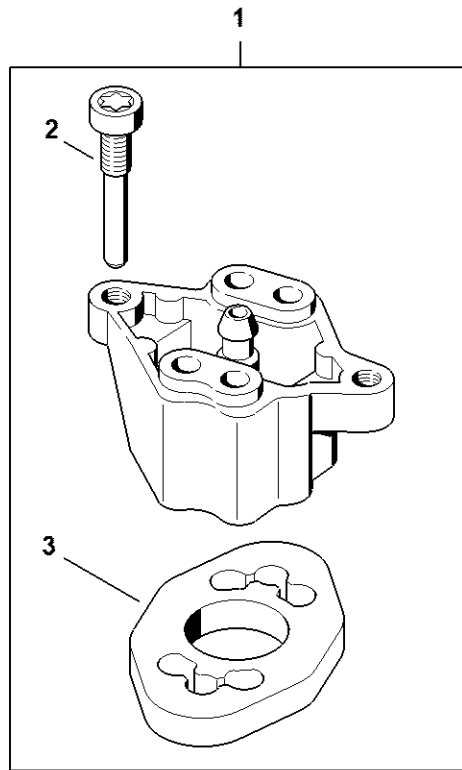


901SW11 GM

Installing tool

#	Part Number	Description	Quantity	Contains Item(s)	Remarks
	1116 893 4800	Installing tool	1		

Flange

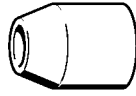


5910-GET-0183-A1

Flange

#	Part Number	Description	Quantity	Contains Item(s)	Remarks
1	5910 850 4207	Flange	1	2, 3	
2	1128 855 9000	Screw M5x30	1		
3	5910 851 9901	Gasket	1		

Installing sleeve

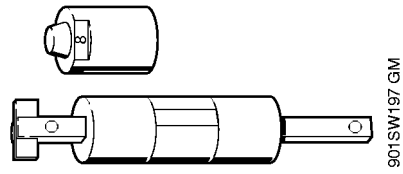


901SW167 GM

Installing sleeve

#	Part Number	Description	Quantity	Contains Item(s)	Remarks
	4119 893 4600	Installing sleeve	1		

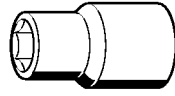
Installing tool, 8



Installing tool, 8

#	Part Number	Description	Quantity	Contains Item(s)	Remarks
	5910 890 2208	Installing tool, 8	1		
	5910 893 1708	Sleeve	1		

Socket, 13 mm

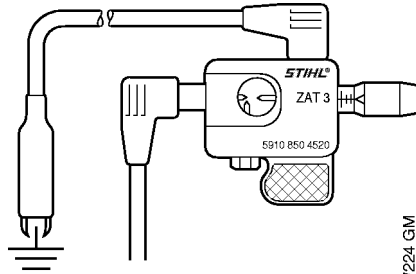


901SW217 GM

Socket, 13 mm

#	Part Number	Description	Quantity	Contains Item(s)	Remarks
	5910 893 5608	Socket, 13 mm	1		

Ignition system tester, ZAT 3



901 SW224 GM

Ignition system tester, ZAT 3

#	Part Number	Description	Quantity	Contains Item(s)	Remarks
	5910 850 4520	Ignition system tester, ZAT 3	1		

Assembly hook

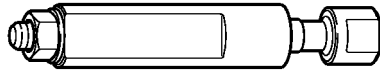


901SW221 GM

Assembly hook

#	Part Number	Description	Quantity	Contains Item(s)	Remarks
	5910 893 8800	Assembly hook	1		

Installing tool

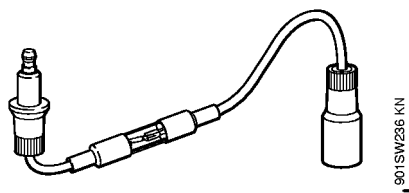


901SW234 KN

Installing tool

#	Part Number	Description	Quantity	Contains Item(s)	Remarks
	5910 890 2204	Installing tool	1		

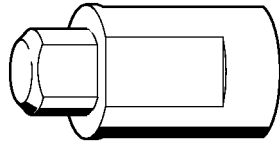
Ignition system tester, ZAT 4



Ignition system tester, ZAT 4

#	Part Number	Description	Quantity	Contains Item(s)	Remarks
	5910 850 4503	Ignition system tester, ZAT 4	1		

Sleeve

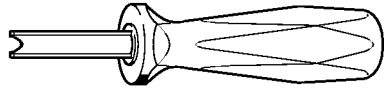


9015W268 KN

Sleeve

#	Part Number	Description	Quantity	Contains Item(s)	Remarks
	5910 893 1708	Sleeve	1		

Puller

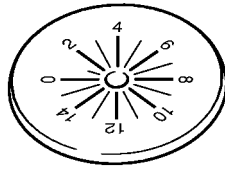


901SW272 KN

Puller

#	Part Number	Description	Quantity	Contains Item(s)	Remarks
	5910 890 4501	Puller	1		

Setting disk

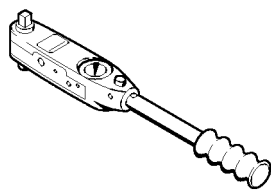


901SW287 KN

Setting disk

#	Part Number	Description	Quantity	Contains Item(s)	Remarks
	5910 893 6600	Setting disk	1		

Torque wrench with optical/acoustic signal

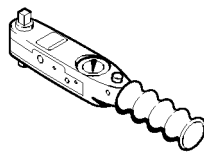


901SW290 KN

Torque wrench with optical/acoustic signal

#	Part Number	Description	Quantity	Contains Item(s)	Remarks
	5910 890 0312	Torque wrench with optical/acoustic signal	1		

Torque wrench with optical/acoustic signal

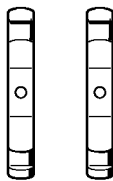


901SW292 KN

Torque wrench with optical/acoustic signal

#	Part Number	Description	Quantity	Contains Item(s)	Remarks
		Torque wrench	1		

Jaw (profile No. 1 and 2)

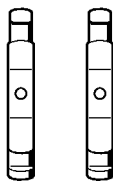


901 SW831 CIM

Jaw (profile No. 1 and 2)

#	Part Number	Description	Quantity	Contains Item(s)	Remarks
	0000 893 3700	Jaw (profile No. 1 and 2)	1		

Jaw (profile No. 3.1 and 4)

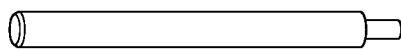


901 SW932 GIM

Jaw (profile No. 3.1 and 4)

#	Part Number	Description	Quantity	Contains Item(s)	Remarks
	0000 893 3706	Jaw (profile No. 3.1 and 4)	1		

Assembly drift

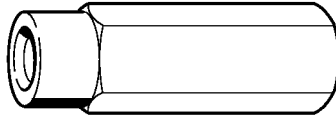


901SW355 GM

Assembly drift

#	Part Number	Description	Quantity	Contains Item(s)	Remarks
	1130 893 4700	Assembly drift	1		

Puller

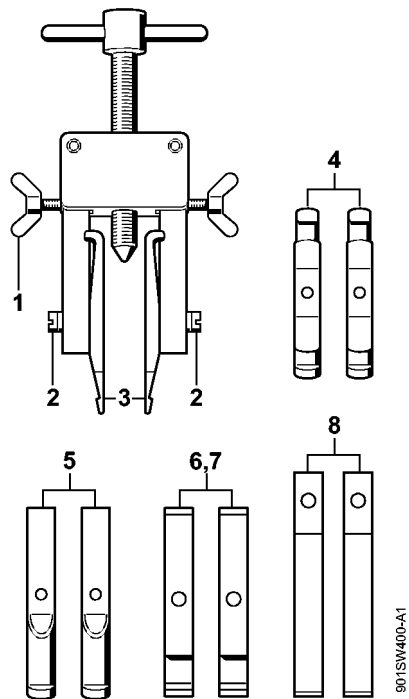


9015W385 KN

Puller

#	Part Number	Description	Quantity	Contains Item(s)	Remarks
	5910 893 0801	Puller	1		

Puller



Puller

#	Part Number	Description	Quantity	Contains Item(s)	Remarks
	5910 890 4400	Puller	1	1 - 8	
1	9157 691 0980	Wing screw M5x16	2		
2	9044 319 0980	Pan head screw M5x16	2		
3	0000 893 3700	Jaw (profile No. 1 and 2)	2		
4	0000 893 3706	Jaw (profile No. 3.1 and 4)	2		
5	0000 893 3711	Jaw (profile No. 6)	2		
6	0000 893 3703	Jaw (profile No. 7)	2		
7	0000 893 3704	Jaw (profile No. 8)	2		
8	0000 893 3707	Jaw (profile No. 9)	2		

Locking strip

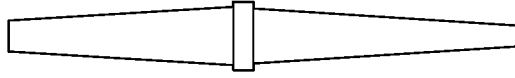


901SW474 SC

Locking strip

#	Part Number	Description	Quantity	Contains Item(s)	Remarks
	0000 893 5904	Locking strip	1		

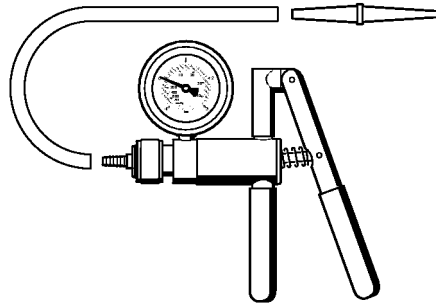
Nipple



9015W496 GM

Nipple

#	Part Number	Description	Quantity	Contains Item(s)	Remarks
	0000 855 9201	Nipple	1		

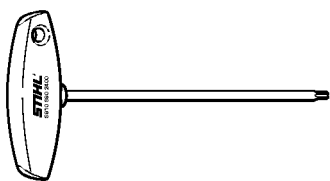


901SW486 GM

Pump

#	Part Number	Description	Quantity	Contains Item(s)	Remarks
	0000 850 1300	Pump	1		
	0000 855 9201	Nipple	1		
	0000 855 0100	Hose	1		

Screwdriver, T27x150

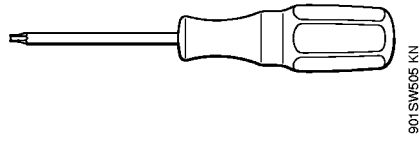


901SW575 KN

Screwdriver, T27x150

#	Part Number	Description	Quantity	Contains Item(s)	Remarks
	5910 890 2400	Screwdriver, T27x150	1		

Screwdriver, T8



Screwdriver, T8

#	Part Number	Description	Quantity	Contains Item(s)	Remarks
	5910 890 2310	Screwdriver, T8	1		