

BGA 56

Spare Parts List

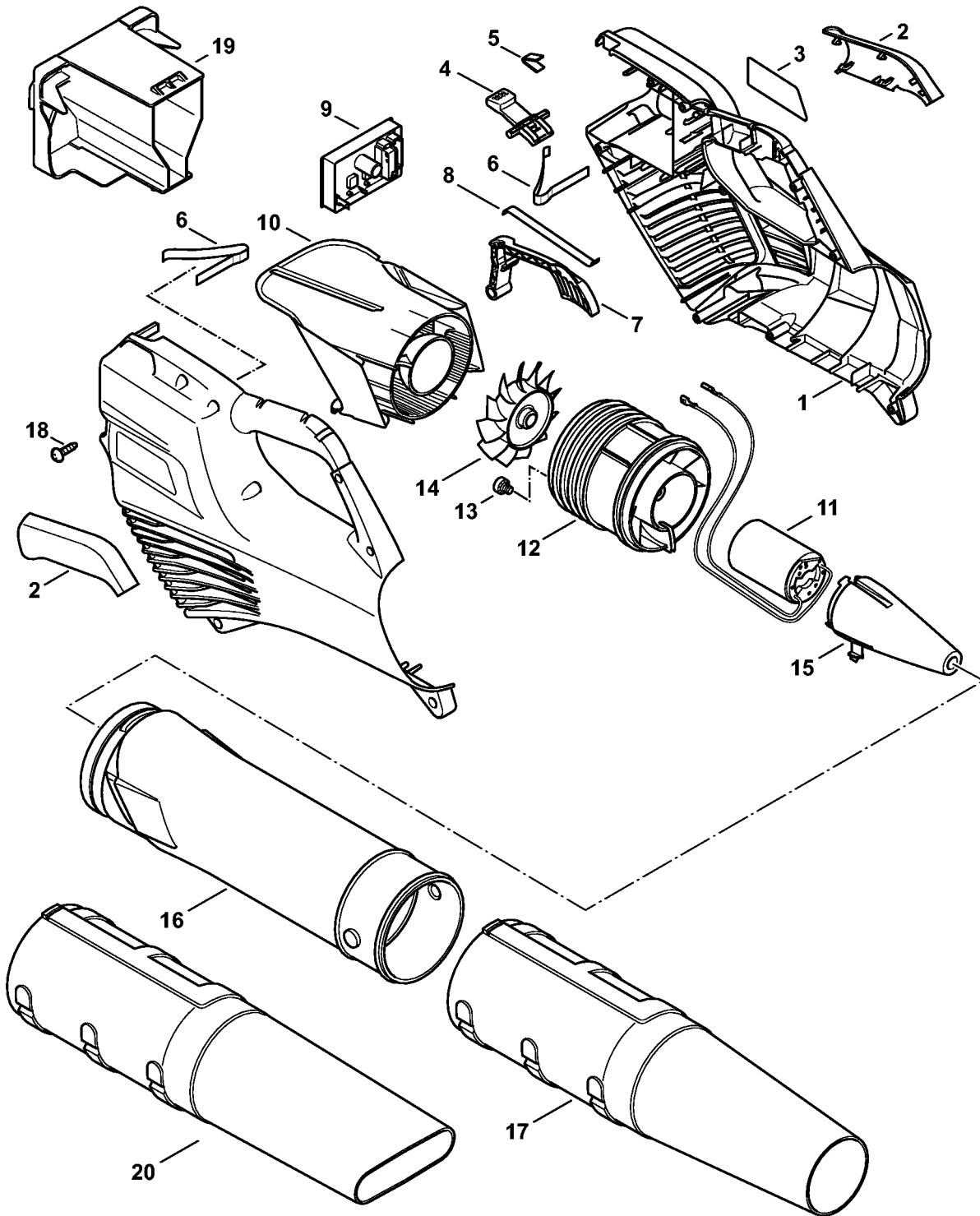
02/08/2023

Indonesia, English

Contents

Handle housing, Electric motor, Blower	2
Serial number	4
Smart Connector	6
Tightening torques	8
Torque wrench with optical/acoustic signal	10
Socket, T27x125	12
Torque wrench	14
Screwdriver, T27x150	16
Punchdown tool	18
Socket, T20x125	20
Socket, T20x140	22
Combination wrench	24

Handle housing, Electric motor, Blower

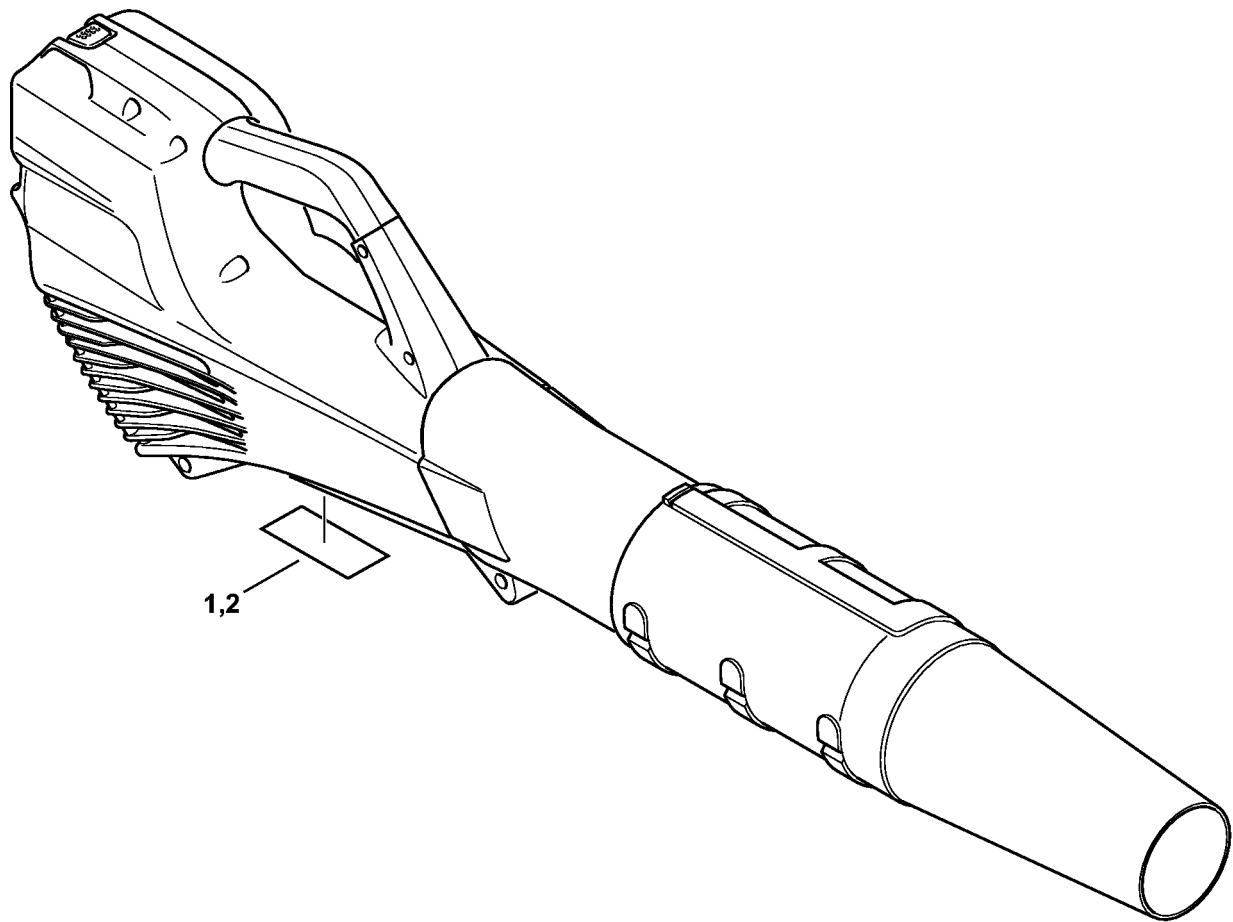


4523-GET-0016-A0

Handle housing, Electric motor, Blower

#	Part Number	Description	Quantity	Contains Item(s)	Remarks
1	4523 790 1004	Handle housing	1	2, 3	
2	4523 790 0600	Handle molding	1		
3	4523 967 4000	Warning pictogram BGA	1		
4	4522 430 9800	Battery latch	1	4	
5	0000 997 2201	Spring	1		
6	4522 791 3100	Spring	2		
7	4523 435 2400	Trigger switch	1		
8	4523 435 8900	Flat spring	1		
9	4523 430 1400	Electronic module	1		
10	4523 761 1100	Inlet cone	1		
11	4523 600 0204	Electric motor	1	12 - 14	
12	4523 770 0600	Stator	1	14	
13	9022 341 0911	Spline screw IS-M5x6	2		
14	4866 770 0401	Rotor	1		
15	4866 761 0300	Outlet cone	1		
16	4523 701 5400	Blower tube	1		
17	4866 701 8300	Round nozzle straight	1		
18	9074 477 3025	Pan head self-tapping screw IS-P4x16	9		
19	4520 602 0900	Battery compartment cover	1		
20	4866 701 8301	Flat nozzle straight	1		

Serial number

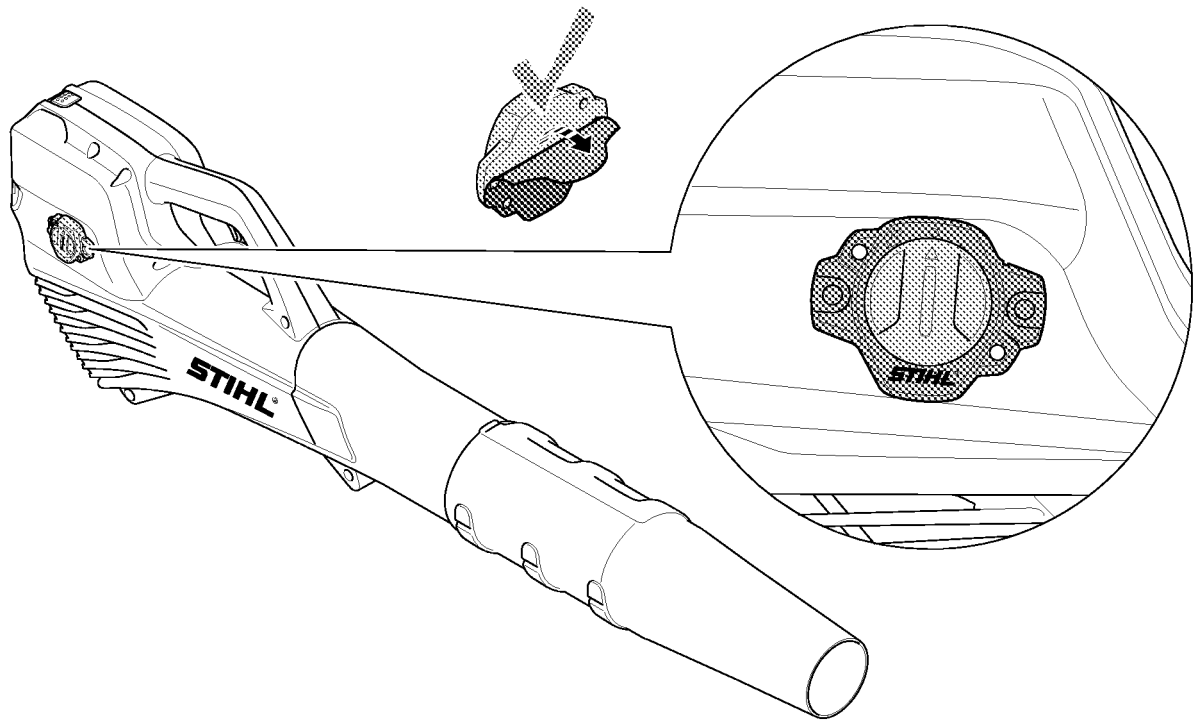


4523-GET-0005-A0

Serial number

#	Part Number	Description	Quantity	Contains Item(s)	Remarks
1		Position of serial number	1		
2	0000 967 3447	Instruction label Serial number	1		

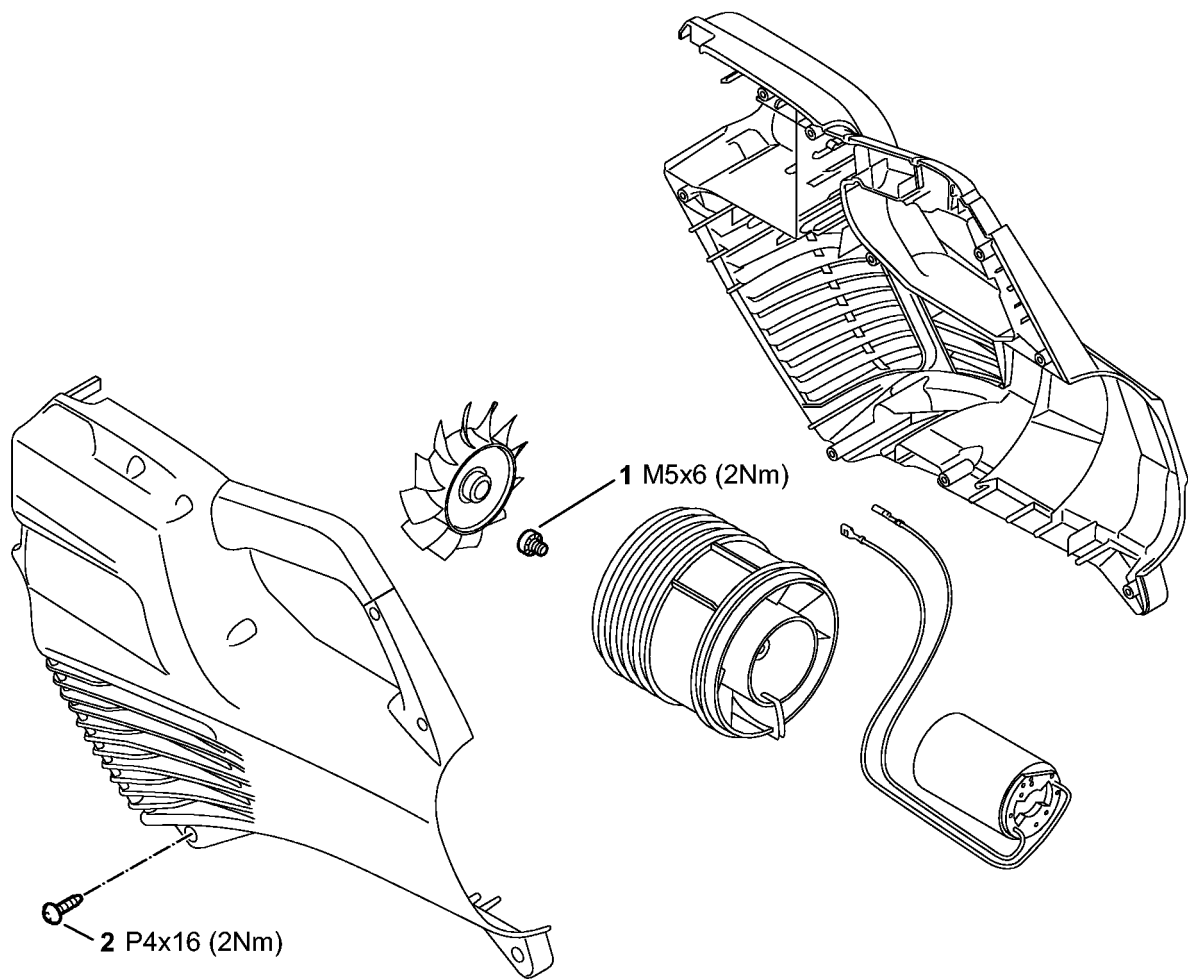
Smart Connector



Smart Connector

#	Part Number	Description	Quantity	Contains Item(s)	Remarks
		Position of Smart Connector	1		

Tightening torques

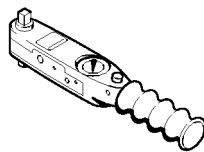


4523-GET-0002-A0

Tightening torques

#	Part Number	Description	Quantity	Contains Item(s)	Remarks
1	9022 341 0911	Spline screw IS-M5x6	2		Micro-encapsulated with binding thread
2	9074 477 3025	Pan head self-tapping screw IS-P4x16	9		

Torque wrench with optical/acoustic signal

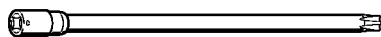


901SW292 KN

Torque wrench with optical/acoustic signal

#	Part Number	Description	Quantity	Contains Item(s)	Remarks
		Torque wrench	1		

Socket, T27x125

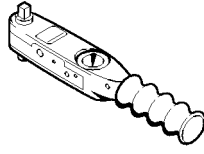


901SW091 GM

Socket, T27x125

#	Part Number	Description	Quantity	Contains Item(s)	Remarks
	0812 542 2104	Driver bit, 1/4" square drive, T27x125	1		

Torque wrench

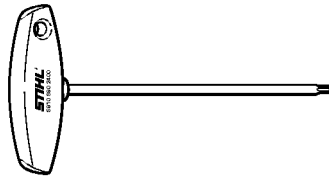


9015W293 KN

Torque wrench

#	Part Number	Description	Quantity	Contains Item(s)	Remarks
	5910 890 0301	Torque wrench	1		

Screwdriver, T27x150

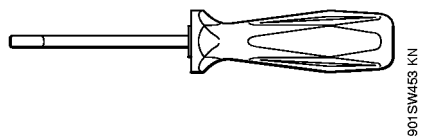


901SW575 KN

Screwdriver, T27x150

#	Part Number	Description	Quantity	Contains Item(s)	Remarks
	5910 890 2400	Screwdriver, T27x150	1		

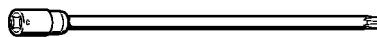
Punchdown tool



Punchdown tool

#	Part Number	Description	Quantity	Contains Item(s)	Remarks
	5910 890 4000	Punchdown tool	1		

Socket, T20x125

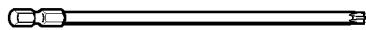


901SW090 GM

Socket, T20x125

#	Part Number	Description	Quantity	Contains Item(s)	Remarks
	0812 542 2041	Driver bit, 1/4" square drive, T20x125	1		

Socket, T20x140

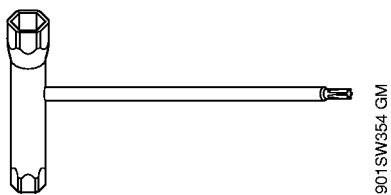


901SW696 SC

Socket, T20x140

#	Part Number	Description	Quantity	Contains Item(s)	Remarks
	0812 540 1016	Driver bit, 1/4" hex drive, T20x140	1		

Combination wrench



Combination wrench

#	Part Number	Description	Quantity	Contains Item(s)	Remarks
	4180 890 3400	Combination wrench	1		