

BG 86

Spare Parts List

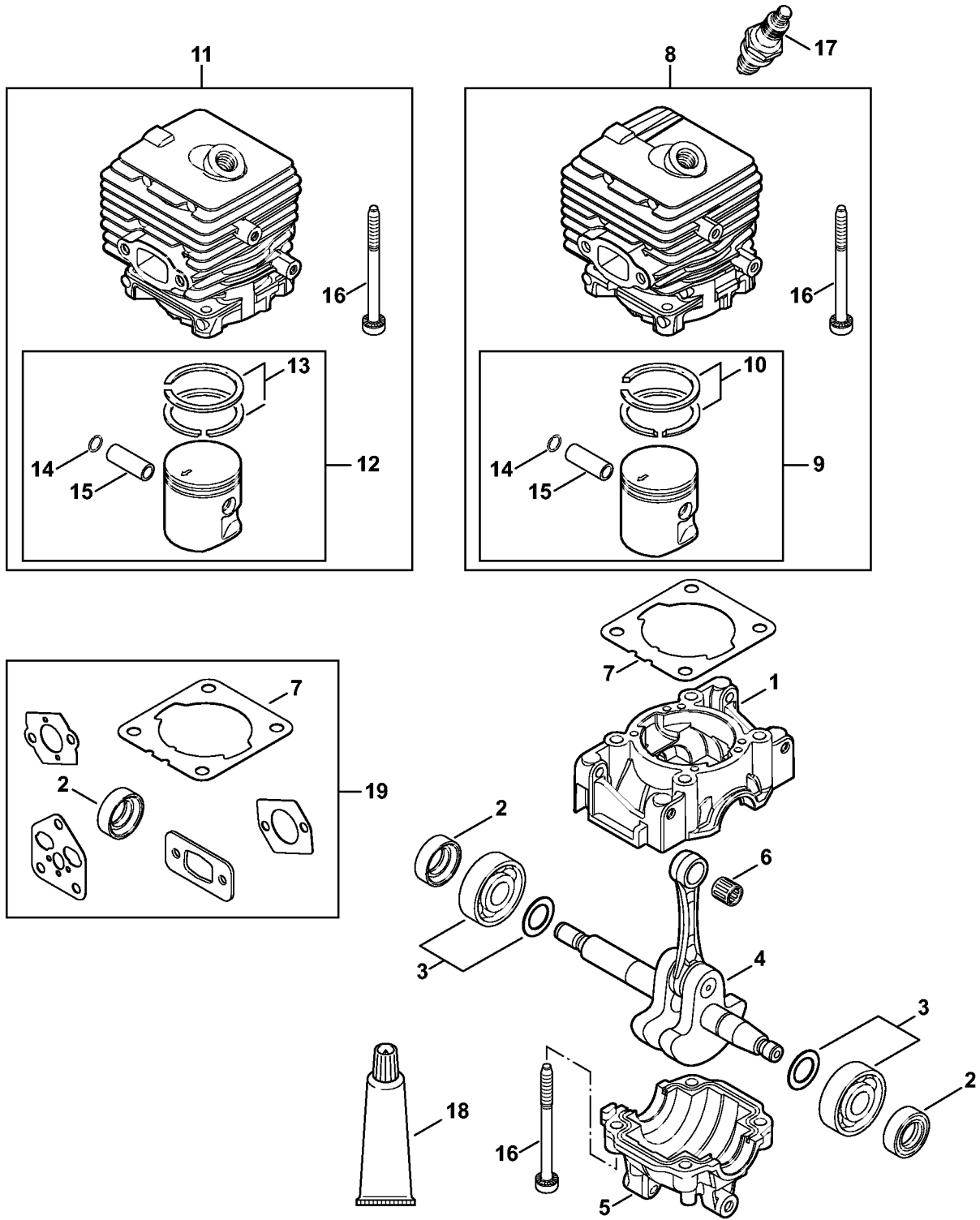
02/08/2023

Indonesia, English

Contents

Crankcase, Cylinder	2	Installing sleeve	58
Ignition system, Muffler BG 86, BG 86 C-E	4	Installing tool, 8	60
Air filter, Spacer flange BG 86, BG 86 C-E, BG 86 C-E Z, BG 86-Z	6	Socket, 13 mm	62
Air filter (12.2012) BG 86, BG 86 C-E, BG 86 C-E Z, BG 86-Z	8	Assembly hook	64
Rewind starter	10	Ignition system tester, ZAT 3	66
Carburetor 4241/23	12	Installing tool	68
Carburetor C1M-S261 (037.2018)	14	Ignition system tester, ZAT 4	70
Carburetor C1M-S228, C1M-S203, C1M-S141	17	Sleeve	72
Fan housing outer, Fan wheel	20	Puller	74
Fan housing, inside	22	Setting disk	76
Handle frame	24	Torque wrench with optical/acoustic signal	78
Nozzle, Vacuum attachment	26	Torque wrench with optical/acoustic signal	80
Gutter cleaning	28	Jaw (profile No. 1 and 2)	82
Serial number	30	Jaw (profile No. 3.1 and 4)	84
Miscellaneous lubricants and greases	32	Assembly drift	86
Cleaning products	34	Puller	88
Nipple	36	Puller	90
Threaded bushing	38	Locking strip	92
Screwdriver	40	Nipple	94
Screwdriver	42	Pump	96
Sealing plate	44	Screwdriver, T8	98
Socket, T27x125	46	Screwdriver, T27x150	100
Hose 135 mm / 5 5/16"	48		
Installing tool	50		
Press sleeve	52		
Setting gauge	54		
Flange	56		

Crankcase, Cylinder

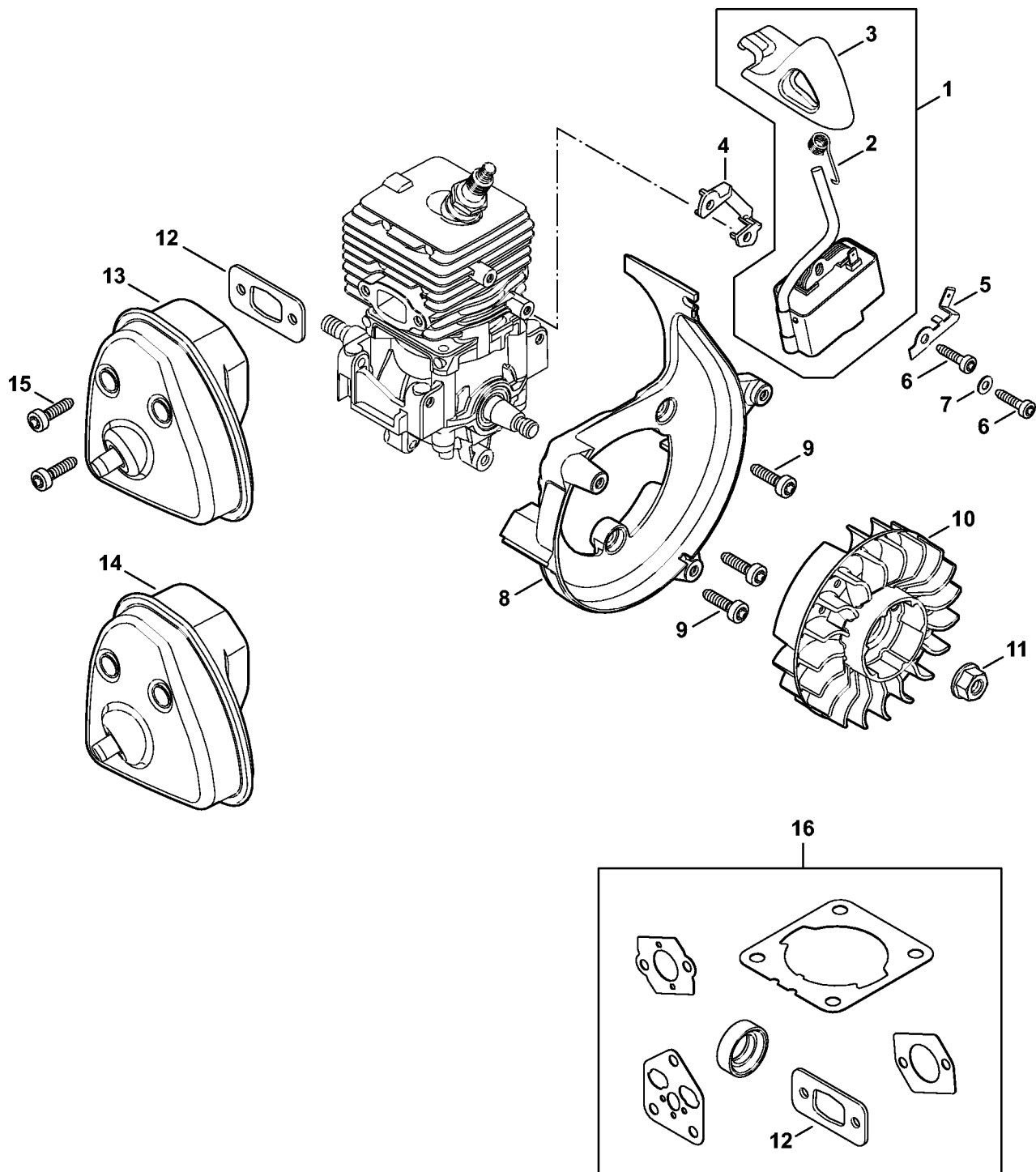


4241-GET-0116-A0

Crankcase, Cylinder

#	Part Number	Description	Quantity	Contains Item(s)	Remarks
1	4241 021 0302	Crankcase	1		
2	9639 003 1230	Oil seal 12x22x7	2		
3	4144 020 2050	Ball bearing (2 pieces)	1		
4	4241 030 0401	Crankshaft	1		
5	4144 021 2500	Engine pan	1		
6	9512 003 1834	Needle cage 8x11x10	1		
7	4144 029 2301	Cylinder gasket	1		
8	4241 020 1203	Cylinder with piston Ø 34 mm	1	9, 10, 14 - 16	
9	4241 030 2007	Piston Ø 34 mm	1	10, 14, 15	
10	4237 034 3001	Piston ring Ø 34x1.2 mm	2		
14	9463 650 0805	Snap ring 8x0.7	1		
15	4241 034 1500	Piston pin 8x5x22	1		
16	9075 478 4268	Pan head self-tapping screw IS-D5x60	4		
17	0000 400 7011	Spark plug NGK CMR6H	1		
18	0783 830 2000	Tube of sealant HT red	1		
19	4144 007 1012	Set of gaskets	1	2, 7	

Ignition system, Muffler BG 86, BG 86 C-E

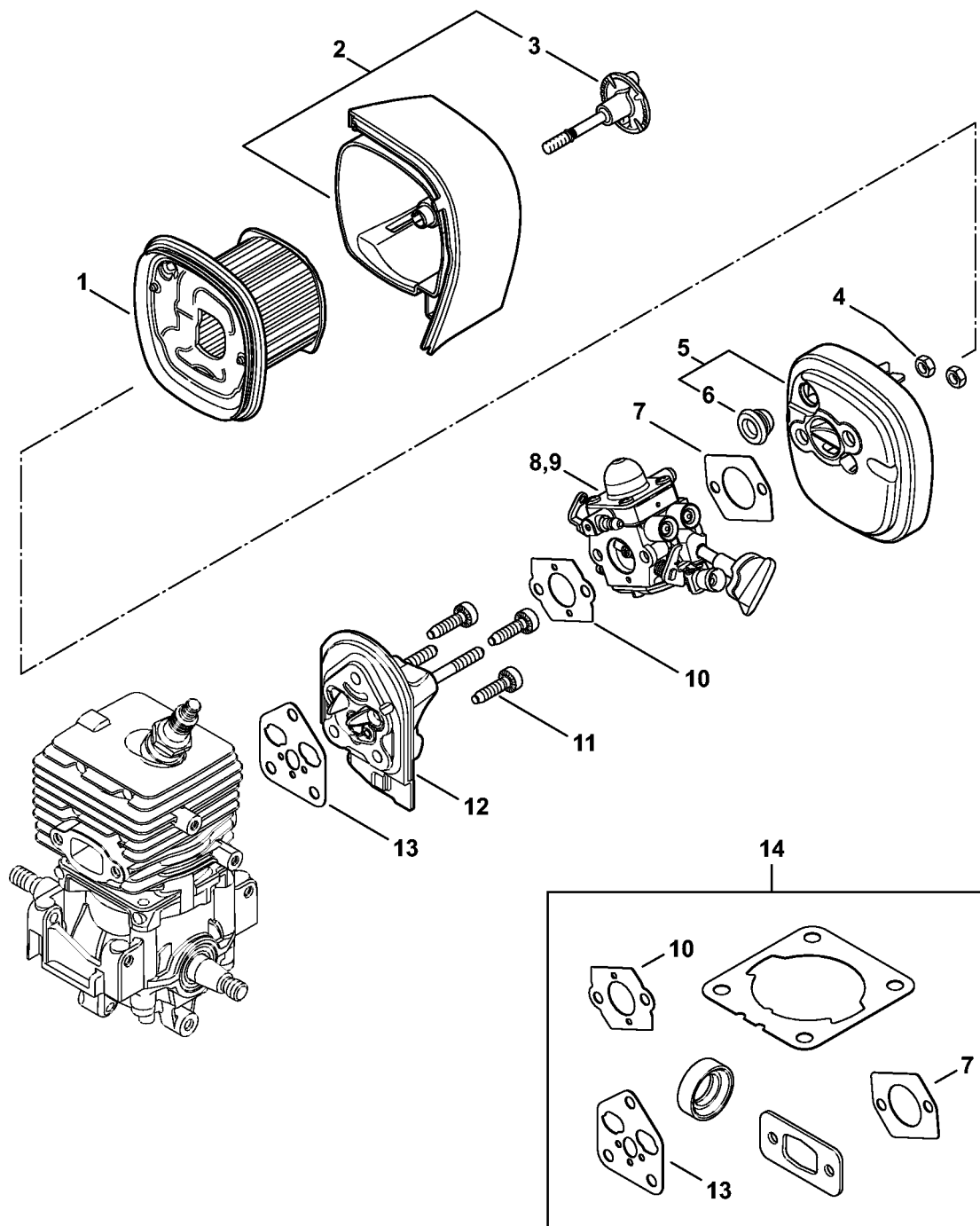


4241-GET-0063-A0

Ignition system, Muffler BG 86, BG 86 C-E

#	Part Number	Description	Quantity	Contains Item(s)	Remarks
1	4241 400 1320	Ignition module	1	2, 3	
2	0000 998 0604	Spark plug contact spring	1		
3	4241 405 1000	Spark plug boot	1		
4	4241 405 8000	Insulator	1		
5	4241 431 2100	Connector tag	1		
6	9075 478 3018	Pan head self-tapping screw IS-D4x18	2		
7	9291 021 0100	Washer 4.3	1		
8	4241 084 1100	Spiral housing	1		
9	9075 478 4136	Pan head self-tapping screw IS-D5x20	3		
10	4241 400 1200	Flywheel	1		
11	0000 955 0802	Collar nut M8x1	1		
12	4144 149 0600	Muffler gasket	1		
13	4241 140 0614	Muffler	1		
14	4241 140 0601	Muffler	1		Asia, BR, AR, Eastern Europe
15	9075 478 4136	Pan head self-tapping screw IS-D5x20	2		
16	4144 007 1012	Set of gaskets	1	12	

Air filter, Spacer flange BG 86, BG 86 C-E, BG 86 C-E Z, BG 86-Z

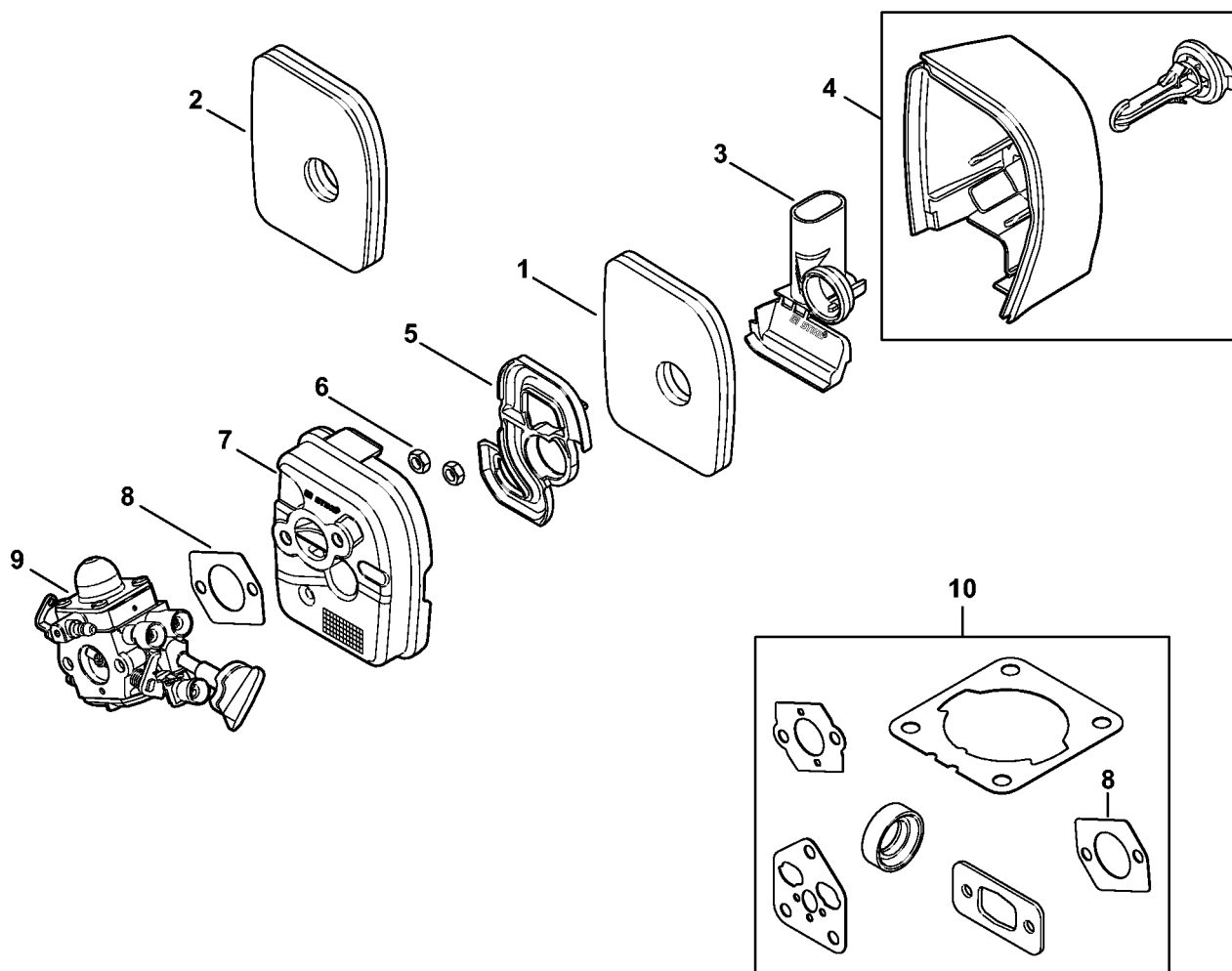


4241-GET-0086-A1

Air filter, Spacer flange BG 86, BG 86 C-E, BG 86 C-E Z, BG 86-Z

#	Part Number	Description	Quantity	Contains Item(s)	Remarks
1	4241 140 4404	Air filter	1		
2	4241 140 1002	Filter cover	1	3	
3	4241 140 9300	Twist lock	1		
4	9210 261 0700	Hexagon nut M5	2		
5	4241 140 2803	Filter housing	1	6	
6	4134 123 7500	Grommet	1		
7	4114 149 1205	Gasket	1		
8	4241 120 0623	Carburetor 4241/23	1		
9	4241 120 0606	Carburetor CIM-S228C	1		
10	4128 129 0900	Gasket	1		
11	9075 478 4136	Pan head self-tapping screw IS-D5x20	3		
12	4144 120 2301	Spacer flange	1		
13	4144 129 0900	Gasket	1		
14	4144 007 1012	Set of gaskets	1	7, 10, 13	

Air filter (12.2012) BG 86, BG 86 C-E, BG 86 C-E Z, BG 86-Z

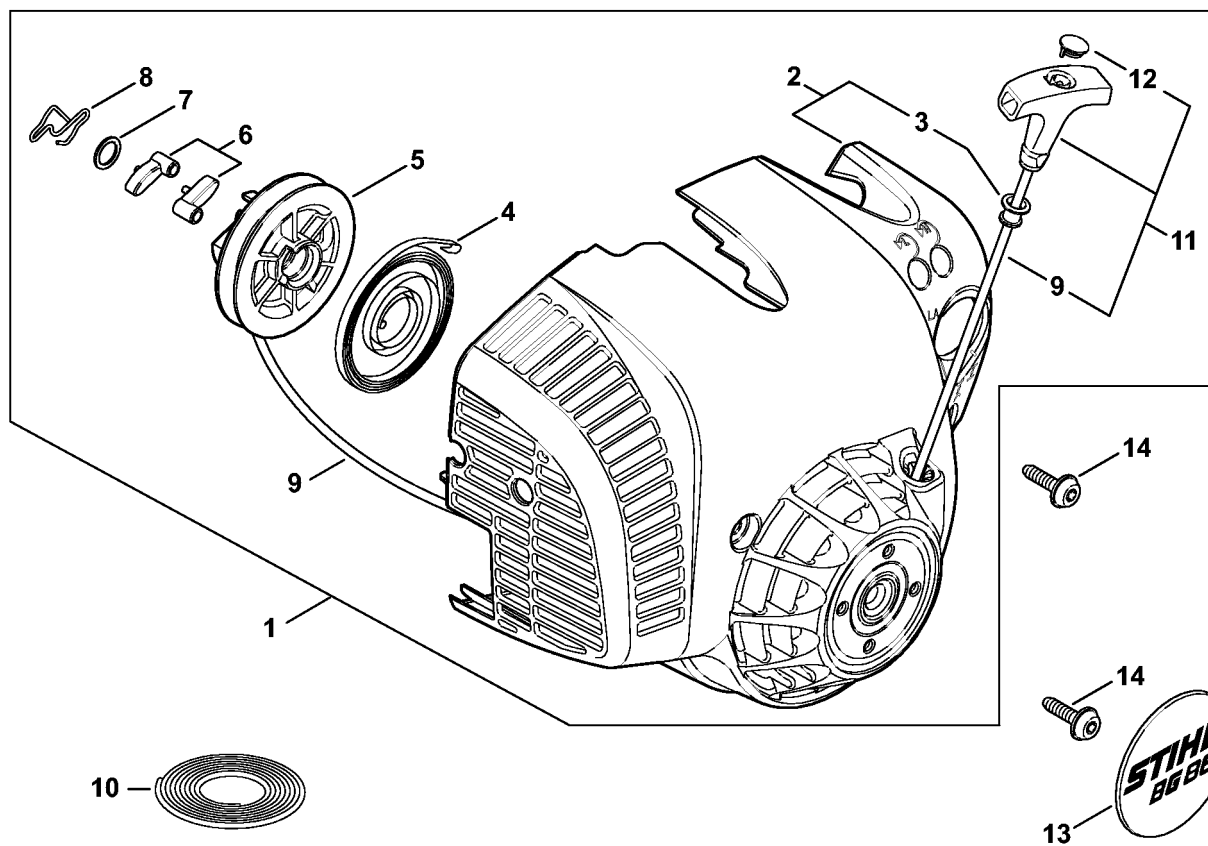


4241-GET-0101-A0

Air filter (12.2012) BG 86, BG 86 C-E, BG 86 C-E Z, BG 86-Z

#	Part Number	Description	Quantity	Contains Item(s)	Remarks
1	4241 120 1800	Filter	1		
2	4241 140 4401	Air filter	1		
3	4241 141 1100	Insert	1		
4	4241 140 1000	Filter cover	1		
5	4241 121 6900	Baffle	1		
6	9210 261 0700	Hexagon nut M5	2		
7	4241 140 2800	Filter housing	1		
8	4114 149 1205	Gasket	1		
9	4241 120 0607	Carburetor CIM-S203A	1		
10	4144 007 1012	Set of gaskets	1	8	

Rewind starter

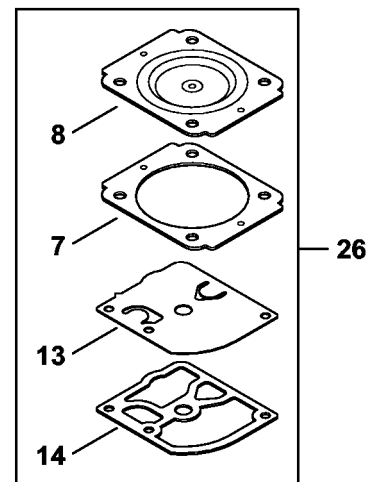
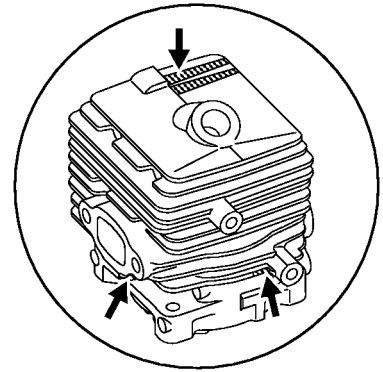
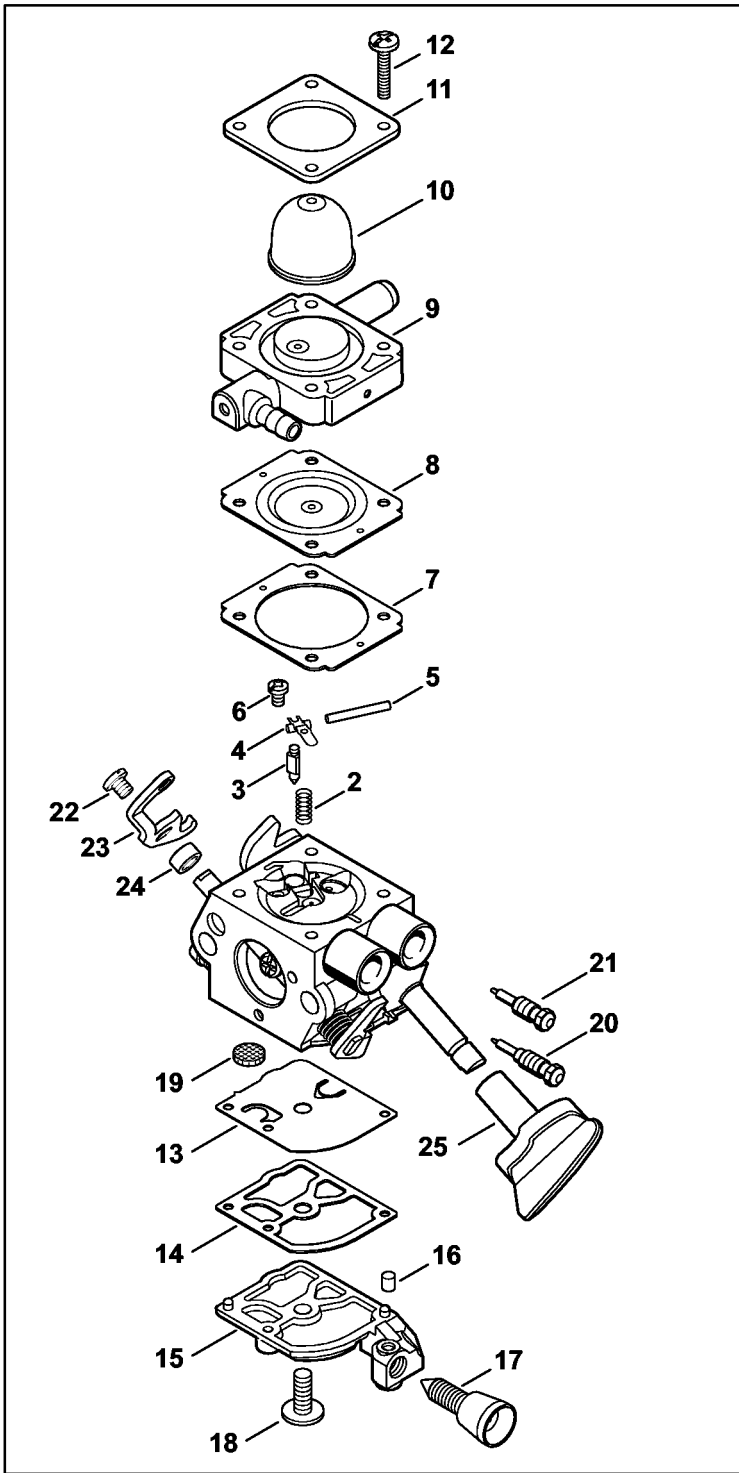


4241-GET-0069-A0

Rewind starter

#	Part Number	Description	Quantity	Contains Item(s)	Remarks
1	4241 080 2110	Fan housing with rewind starter	1	2 - 9, 11, 12	
2	4241 080 1804	Fan housing	1	3	
3	9416 868 6650	Rivet 6.5x0.5x8.8	1		
4	4237 190 0600	Rewind spring	1		
5	4241 195 0400	Rope rotor	1		
6	1123 195 7200	Pawl	2		
7	0000 958 0923	Washer	1		
8	1128 195 3500	Spring	1		
9	1120 195 8200	Starter rope Ø 3x1060 mm	1		
10	0000 930 2208	Starter rope Ø 3 mm x 30.5 m	1		
10	0000 930 2211	Starter rope Ø 3 mm x 60.8 m	1		
11	0000 190 3404	Starter grip ElastoStart Ø 3 mm	1	9, 12	
12	0000 195 7000	Cap	1		
13	4241 967 1504	Model plate BG 86	1		
14	0000 951 1100	Screw IS-D5x20	3		

Carburetor 4241/23

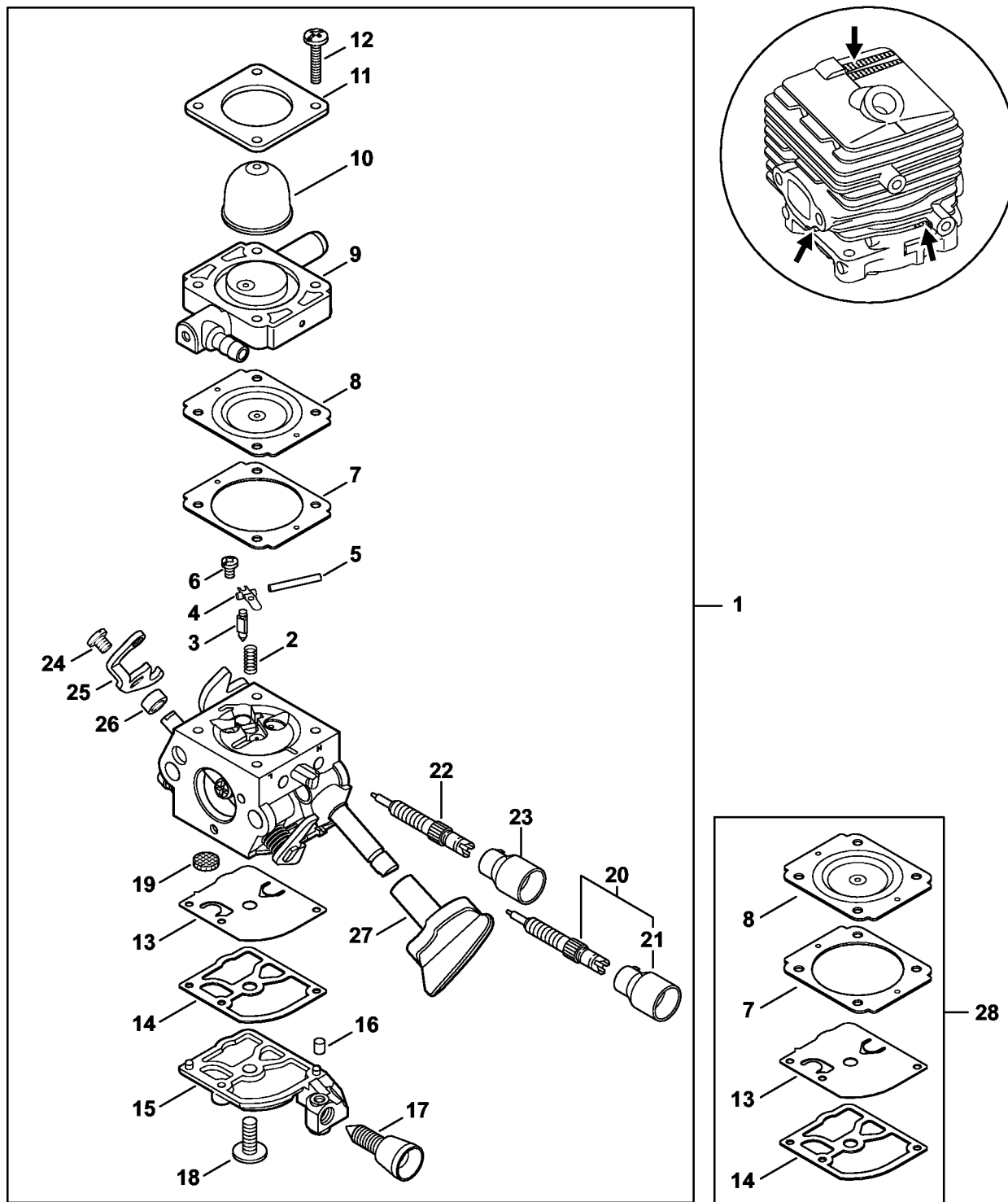


4241-GET-013-A0

Carburetor 4241/23

#	Part Number	Description	Quantity	Contains Item(s)	Remarks
1	4241 120 0623	Carburetor 4241/23	1	2 - 25	
2	1129 122 3001	Spring	1		
3	Z000 018 Z000	Inlet needle	1		
4	1125 121 5000	Inlet control lever	1		
5	1120 121 9200	Spindle	1		
6	0000 122 7101	Screw	1		
7	4241 129 0901	Metering gasket	1		
8	4241 121 4702	Metering diaphragm	1		
9	4241 120 2204	Flange	1		
10	4226 121 2700	Cap	1		
11	4140 121 0800	End cover	1		
12	4140 122 7100	Screw	4		
13	4241 121 4800	Pump diaphragm	1		
14	1123 129 0905	Pump gasket	1		
15	4241 121 0800	End cover	1		
16	1125 122 4200	Clamp	1		
17	4140 122 6200	Idle speed screw	1		
18	1120 122 7800	Oval head screw	1		
19	1120 121 7800	Strainer	1		
20	Z000 031 Z009	Low speed screw	1		
21	Z000 030 Z007	High speed screw	1		
22	9079 319 0280	Flat head screw M3x3.5	1		
23	4241 121 3500	Throttle lever	1		
24	4241 122 5000	Spacer sleeve	1		
25	4241 182 9500	Choke knob	1		
26	4241 007 1700	Set of carburetor parts	1	7, 8, 13, 14	

Carburetor C1M-S261 (037.2018)



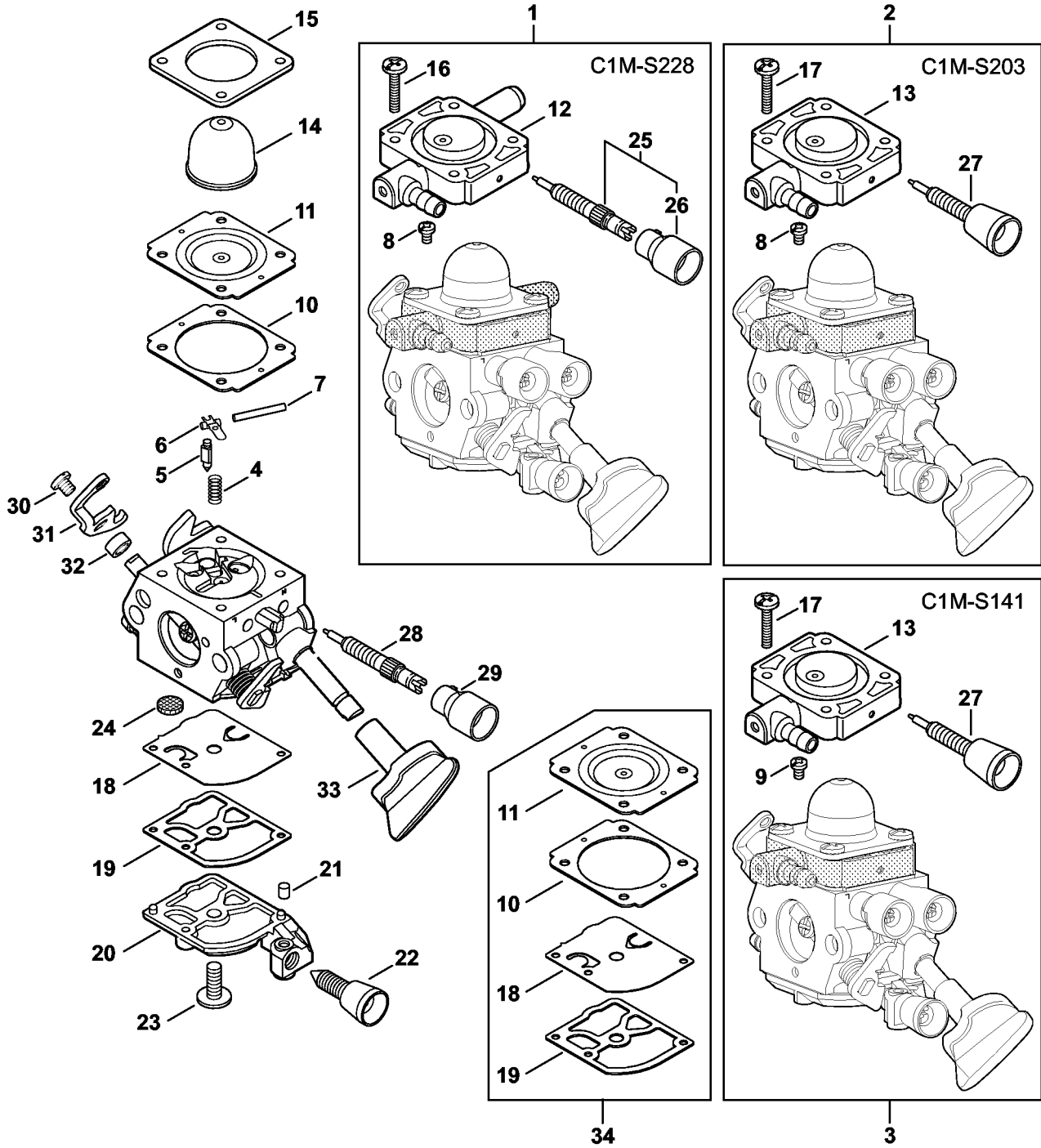
Carburetor C1M-S261 (037.2018)

#	Part Number	Description	Quantity	Contains Item(s)	Remarks
1	4241 120 0616	Carburetor C1M-S261E	1	2 - 27	
2	1129 122 3001	Spring	1		
3	Z000 018 Z000	Inlet needle	1		
4	1125 121 5000	Inlet control lever	1		
5	1120 121 9200	Spindle	1		
6	0000 122 7101	Screw	1		
7	4241 129 0901	Metering gasket	1		
8	4241 121 4702	Metering diaphragm	1		
9	4241 120 2204	Flange	1		
10	4226 121 2700	Cap	1		
11	4140 121 0800	End cover	1		
12	4140 122 7100	Screw	4		
13	4241 121 4800	Pump diaphragm	1		
14	1123 129 0905	Pump gasket	1		
15	4241 121 0800	End cover	1		
16	1125 122 4200	Clamp	1		
17	4140 122 6200	Idle speed screw	1		
18	1120 122 7800	Oval head screw	1		
19	1120 121 7800	Strainer	1		
20	4140 120 6800	Low speed screw	1	21	
21	Z010 061 Z013	Limiter Cap	1		
22	4241 122 6702	High speed screw	1		
23	4229 121 2701	Cap	1		
24	9079 319 0280	Flat head screw M3x3.5	1		
25	4241 121 3500	Throttle lever	1		
26	4241 122 5000	Spacer sleeve	1		
27	4241 182 9500	Choke knob	1		

Carburetor C1M-S261 (037.2018)

#	Part Number	Description	Quantity	Contains Item(s)	Remarks
28	4241 007 1700	Set of carburetor parts	1	7, 8, 13, 14	

Carburetor C1M-S228, C1M-S203, C1M-S141



4241-GET-0072-A0

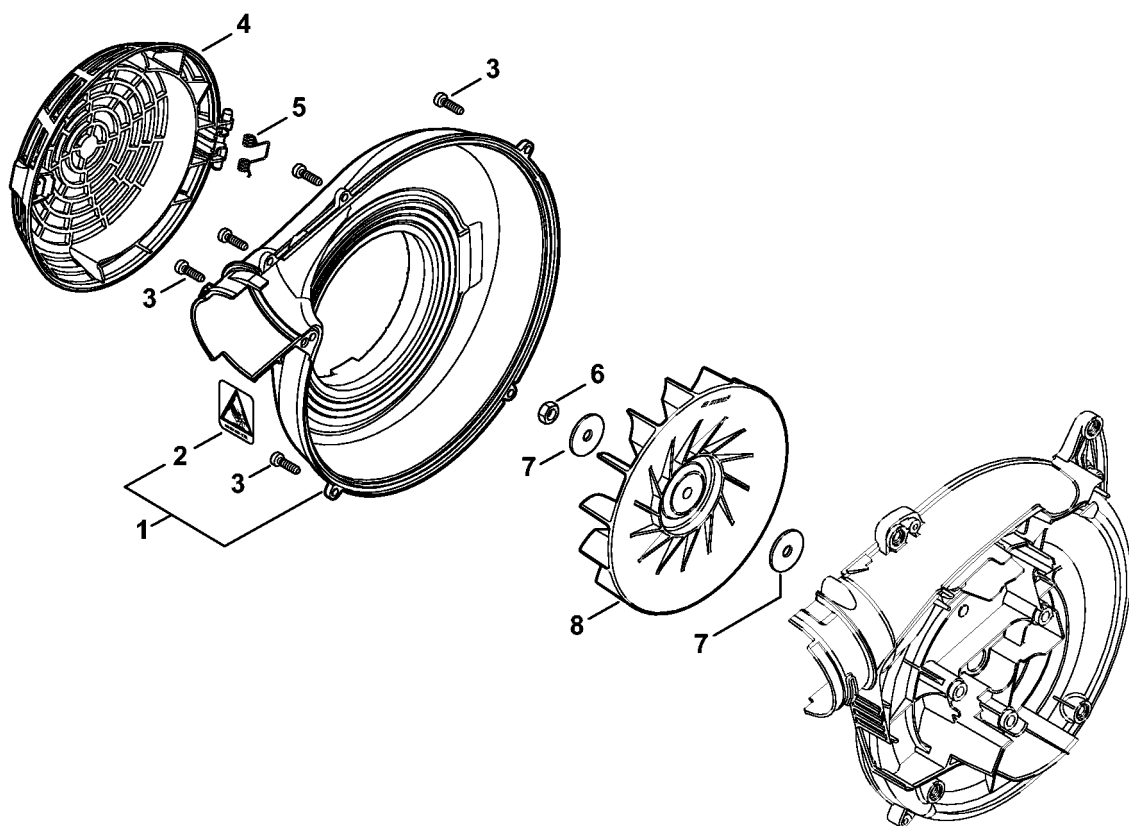
Carburetor C1M-S228, C1M-S203, C1M-S141

#	Part Number	Description	Quantity	Contains Item(s)	Remarks
1	4241 120 0606	Carburetor C1M-S228C	1	4 - 8, 10 - 12, 14 - 16, 18 - 26, 28 - 33	
2	4241 120 0607	Carburetor C1M-S203A	1	4 - 8, 10, 11, 13 - 15, 17 - 24, 27 - 33	
3	4241 120 0600	Carburetor C1M-S141G	1	4 - 7, 9 - 11, 13 - 15, 17 - 24, 27 - 33	
4	4128 122 3000	Spring	1		
5	Z000 018 Z000	Inlet needle	1		
6	1125 121 5000	Inlet control lever	1		
7	1120 121 9200	Spindle	1		
8	0000 122 7101	Screw	1		
9	4241 122 6600	Collar screw	1		
10	4241 129 0901	Metering gasket	1		
11	4241 121 4702	Metering diaphragm	1		
12	4241 120 2202	Flange	1		
13	Z010 056 A023	Base primer assy	1		
14	4226 121 2700	Cap	1		
15	4140 121 0800	End cover	1		
16	4140 122 7100	Screw	4		
17	4241 122 7100	Screw	4		
18	4241 121 4800	Pump diaphragm	1		
19	1123 129 0905	Pump gasket	1		
20	4241 121 0800	End cover	1		
21	1125 122 4200	Clamp	1		
22	4140 122 6200	Idle speed screw	1		
23	1120 122 7800	Oval head screw	1		
24	1123 121 7800	Strainer	1		
25	4140 120 6800	Low speed screw	1	26	

Carburetor C1M-S228, C1M-S203, C1M-S141

#	Part Number	Description	Quantity	Contains Item(s)	Remarks
26	Z010 061 Z013	Limiter Cap	1		
27	4140 122 6800	Low speed screw	1		
28	4241 122 6702	High speed screw	1		
29	4229 121 2701	Cap	1		
30	9079 319 0280	Flat head screw M3x3.5	1		
31	4241 121 3500	Throttle lever	1		
32	4241 122 5000	Spacer sleeve	1		
33	4241 182 9500	Choke knob	1		
34	4241 007 1700	Set of carburetor parts	1	10, 11, 18, 19	

Fan housing outer, Fan wheel

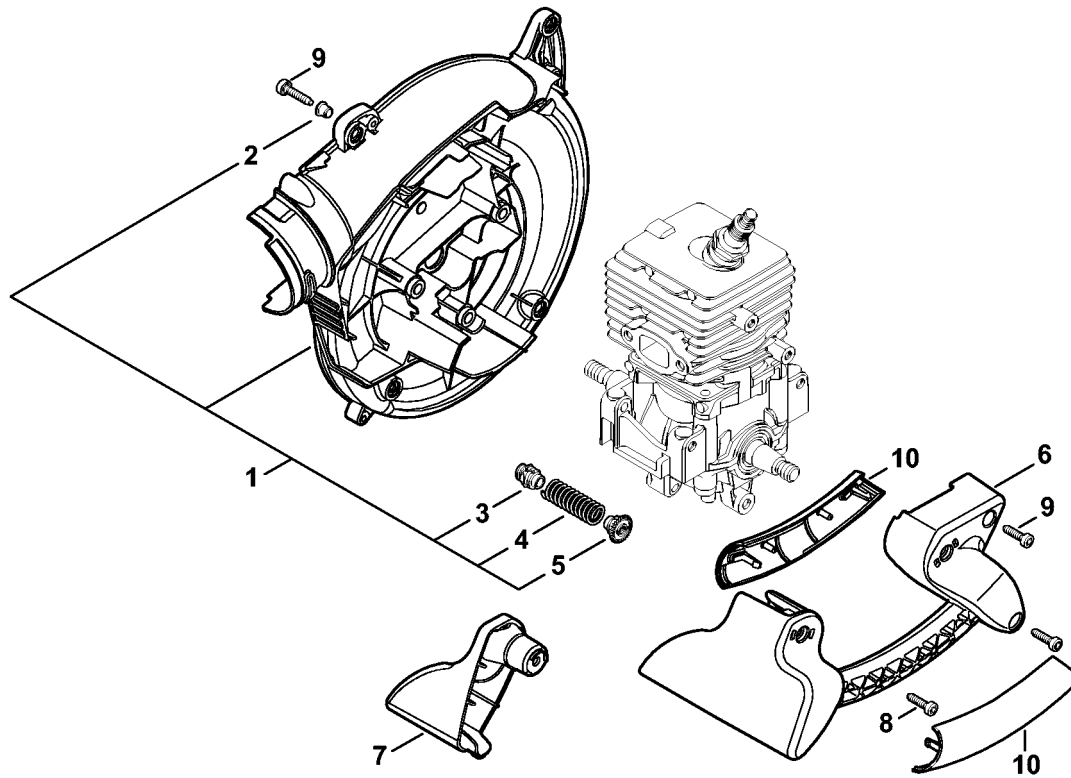


4241-GET-0075-A0

Fan housing outer, Fan wheel

#	Part Number	Description	Quantity	Contains Item(s)	Remarks
1	4241 701 0700	Fan housing, outer	1	2	
2	0000 967 7285	Warning pictogram: Fan grille	1		
3	9074 477 4132	Pan head self-tapping screw IS-P5x18	6		
4	4241 706 8000	Screen	1		
5	0000 998 0401	Torsion spring	1		
6	9211 260 1150	Hexagon nut M8x1 l/h thread	1		
7	4229 704 7900	Washer	2		
8	4241 704 3405	Fanwheel	1		

Fan housing, inside

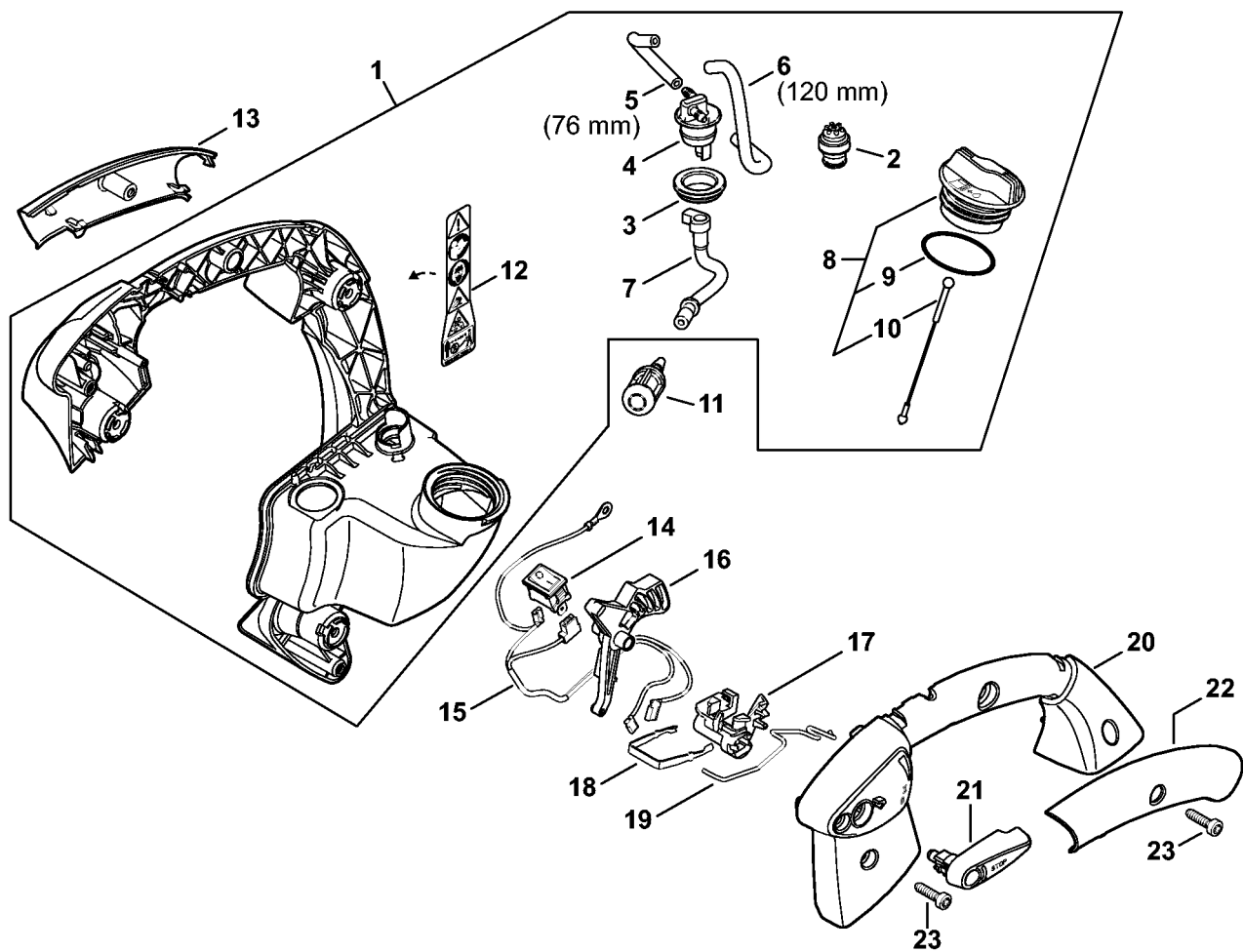


4241-GET-0077-A0

Fan housing, inside

#	Part Number	Description	Quantity	Contains Item(s)	Remarks
1	4241 700 4100	Fan housing	1	2 - 5	
2	9443 825 7130	Hollow rivet 7.5x1x6.8	3		
3	4241 792 2901	AV mount	4		
4	4241 791 3100	Spring	4		
5	4241 792 2900	AV mount	4		
6	4241 791 0201	Handle	1		
7	4241 791 7500	Cover	1		
8	9074 477 4132	Pan head self-tapping screw IS-P5x18	4		
9	9075 478 4159	Pan head self-tapping screw IS-D5x24	3		
10	4241 791 0802	Handle molding	2		

Handle frame

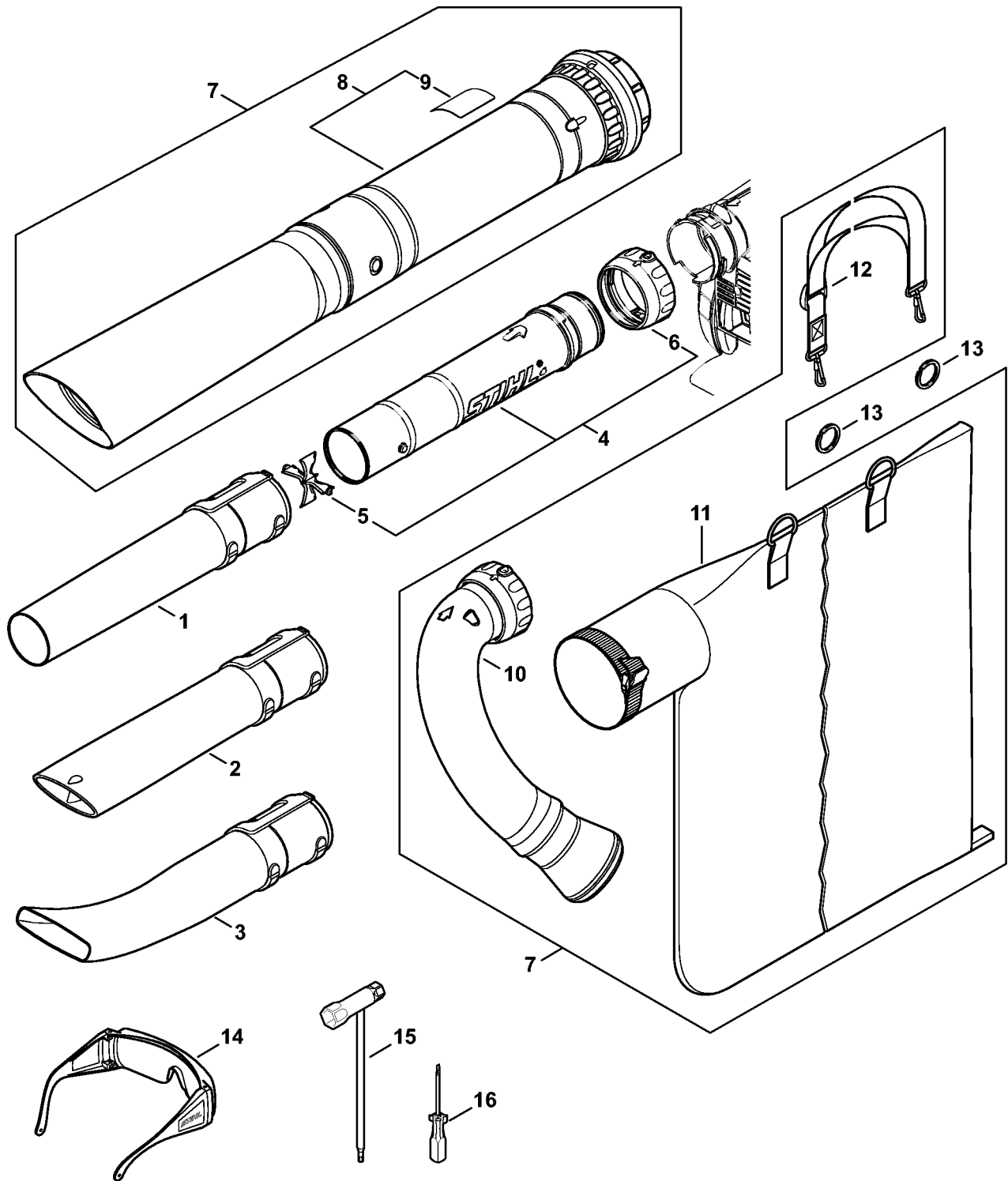


4241-GET-0079-A0

Handle frame

#	Part Number	Description	Quantity	Contains Item(s)	Remarks
1	4241 790 5605	Handle frame	1	2 - 10, 12	
2	0000 350 5800	Tank vent	1		
3	4238 353 9200	Grommet	1		
4	4241 353 2700	Connector	1		
5	0000 937 5004	Hose 3.1x5.7 mm x 1 m, R5	1		
6	0000 930 2803	Hose 3.1x5.7 mm x 1 m, R3	1		
6	0712 923 8004	Hose 3.1x5.7 mm x 10 m, R3	1		
7	4241 358 7700	Hose	1		
8	0000 350 0527	Filler cap	1	9, 10	
9	9645 951 3890	O-ring 35x3-FPM 80	1		
10	0000 350 0900	Rope	1		
11	0000 350 3502	Pickup body	1		
12	0000 967 7286	Warning pictogram BG/SH	1		
13	4241 791 0801	Handle molding, outer	1		
14	4241 430 8900	Stop button	1		
15	4241 440 3000	Wiring harness	1		
16	4241 182 1001	Throttle trigger	1		
17	4241 182 4300	Cam	1		
18	4241 182 4204	Detent spring	1		
19	4241 182 1501	Throttle rod	1		
20	4241 791 0605	Handle molding	1		
21	4241 182 2900	Locking lever	1		
22	4241 791 0800	Handle molding, inner	1		
23	9074 477 4132	Pan head self-tapping screw IS-P5x18	4		

Nozzle, Vacuum attachment

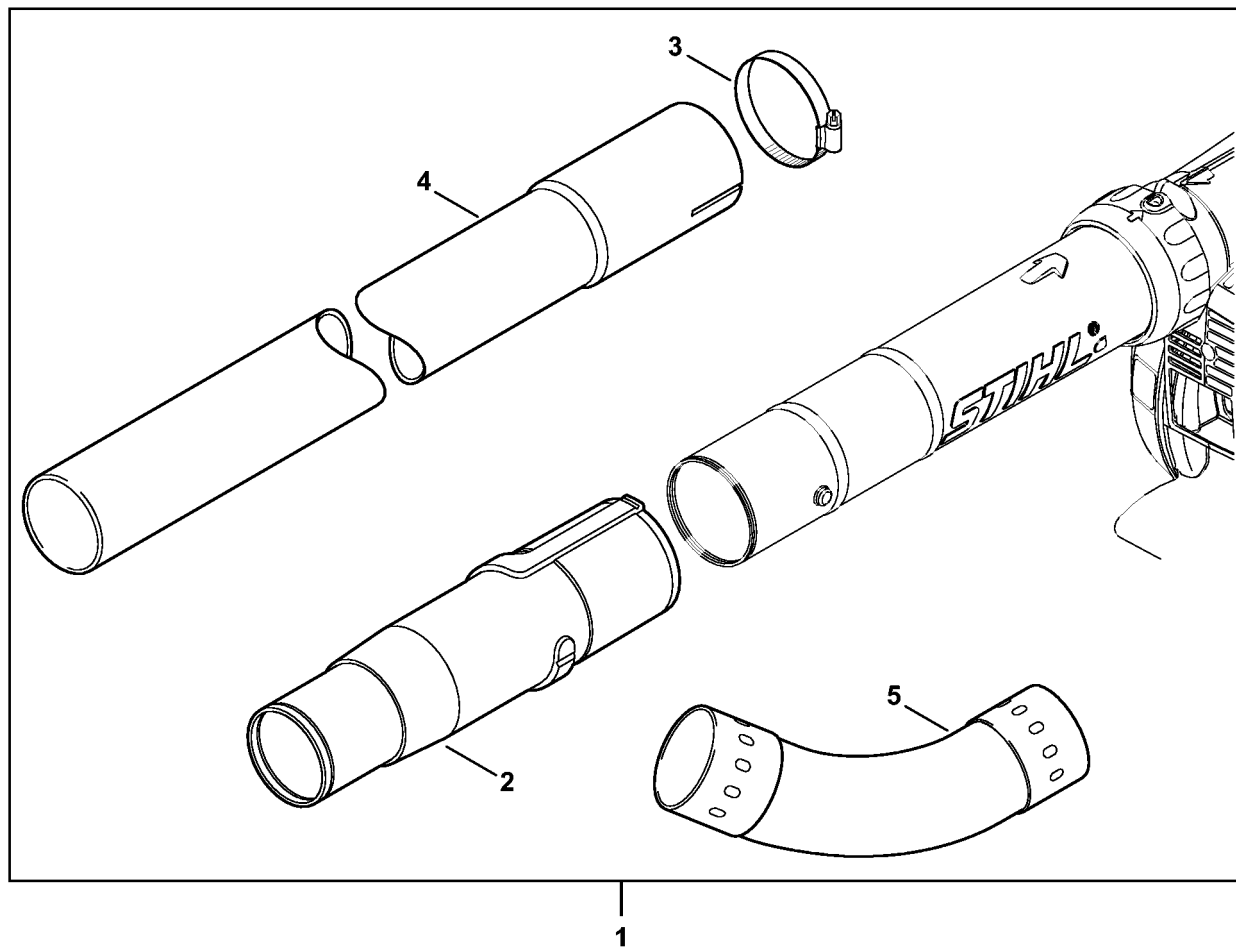


4241-GET-0080-A0

Nozzle, Vacuum attachment

#	Part Number	Description	Quantity	Contains Item(s)	Remarks
1	4229 708 6300	Round nozzle straight	1		
2	4229 708 6301	Flat nozzle straight	1		
3	4241 708 6302	Flat nozzle curved	1		
4	4241 760 8200	Tube	1	5, 6	
5	4241 703 5600	Screen	1		
6	4241 708 3100	Union nut	1		
7	4241 700 2200	Vacuum attachment	1	8 - 12	
8	4241 760 3501	Suction tube	1	9	
9	0000 967 7232	Warning pictogram BG	1		
10	4241 700 6900	Elbow	1		
11	4229 708 9702	Catcher bag	1		
12	4227 710 9003	Harness	1		
13	0000 791 8400	Ring	1		2 pieces
14	0000 884 0307	Safety glasses	1		not for AR
15	4180 890 3400	Combination wrench	1		
16	0000 890 2300	Screwdriver	1		

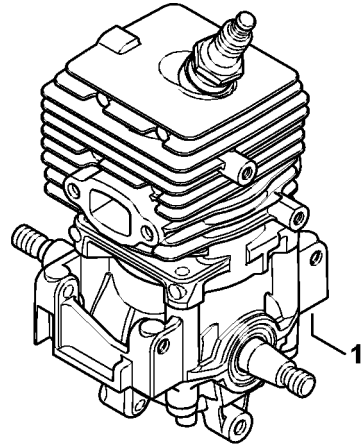
Gutter cleaning



4241-GET-0081-A0

Gutter cleaning

#	Part Number	Description	Quantity	Contains Item(s)	Remarks
1	4241 007 1003	Gutter cleaning kit	1	2 - 5	
2	4241 708 0100	Adapter	1		
3	4227 700 7105	Hose clip	3		
4	4227 708 3405	Tube	3		
5	4227 708 6905	Manifold	2		

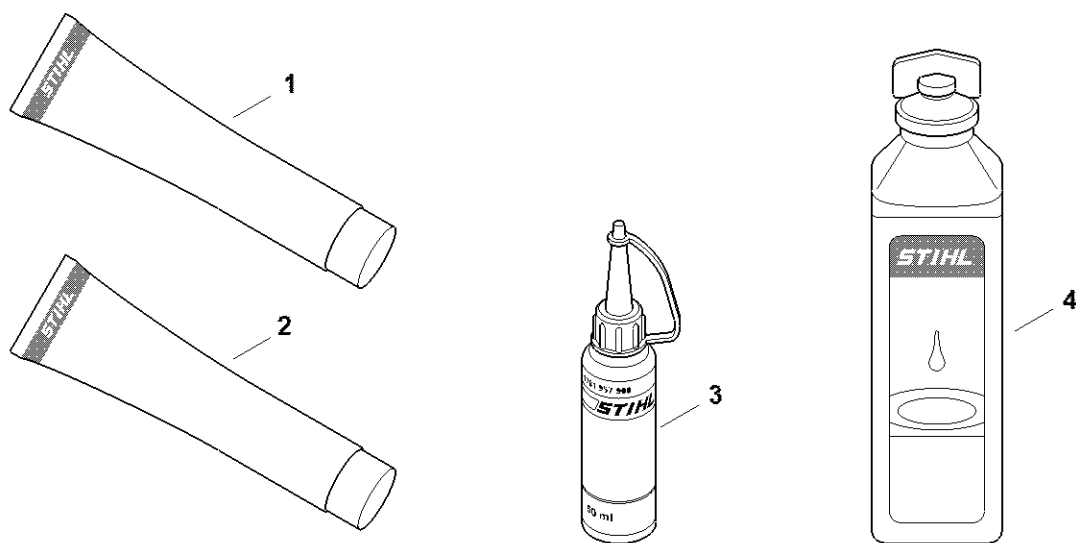


298ET017 SC

Serial number

#	Part Number	Description	Quantity	Contains Item(s)	Remarks
1		Position of serial number	1		

Miscellaneous lubricants and greases

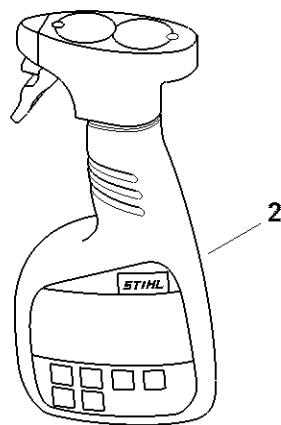
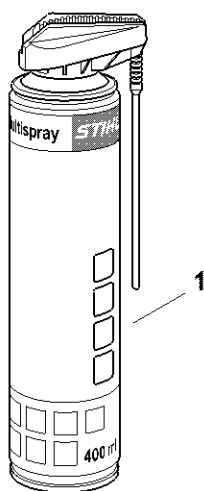


0000-GET-0189-A0

Miscellaneous lubricants and greases

#	Part Number	Description	Quantity	Contains Item(s)	Remarks
1	0781 120 1021	STIHL Multilub 40g tube	1		
1	0781 120 1109	Multipurpose grease 80 g	1		
1	0781 120 1110	Multipurpose grease 225 g	1		
2	0783 830 2000	Tube of sealant HT red	1		
3	0781 957 9000	Press fluid OH 723	1		
4	0781 319 8401	HP 100ml	1		
4	0781 319 8052	HP Super 100ml	1		
4	0781 319 8060	HP Ultra 100ml	1		

Cleaning products

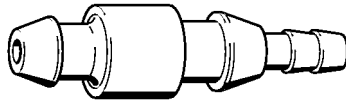


0000-GET-0172-A0

Cleaning products

#	Part Number	Description	Quantity	Contains Item(s)	Remarks
1	0730 411 7002	Multispray 50 ml	1		
1	0730 411 7000	Multispray	1		
2	0000 881 9400	VarioClean 500 ml	1		
2	0000 881 9409	Special cleaner 5 l	1		
3	0782 516 8500	Multioil Bio 50 ml	1		

Nipple

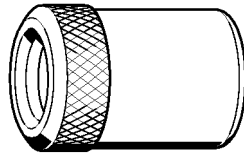


901SW008 GM

Nipple

#	Part Number	Description	Quantity	Contains Item(s)	Remarks
	0000 855 9200	Nipple	1		

Threaded bushing

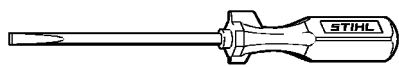


901SW024 GM

Threaded bushing

#	Part Number	Description	Quantity	Contains Item(s)	Remarks
	1108 893 4500	Threaded bushing	1		

Screwdriver

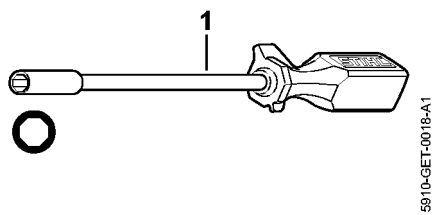


901SW072 GM

Screwdriver

#	Part Number	Description	Quantity	Contains Item(s)	Remarks
	5910 890 2305	Screwdriver	1		

Screwdriver



Screwdriver

#	Part Number	Description	Quantity	Contains Item(s)	Remarks
1	5910 890 2314	Screwdriver	1		

Sealing plate

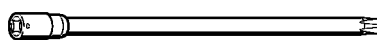


901 SW078 GM

Sealing plate

#	Part Number	Description	Quantity	Contains Item(s)	Remarks
	0000 855 8106	Sealing plate	1		

Socket, T27x125

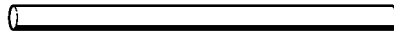


901SW091 GM

Socket, T27x125

#	Part Number	Description	Quantity	Contains Item(s)	Remarks
	0812 542 2104	Driver bit, 1/4" square drive, T27x125	1		

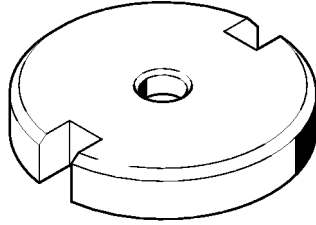
Hose 135 mm / 5 5/16"



901SW100 GM

Hose 135 mm / 5 5/16"

#	Part Number	Description	Quantity	Contains Item(s)	Remarks
	1110 141 8600	Hose 135 mm / 5 5/16"	1		



901SW111 GM

Installing tool

#	Part Number	Description	Quantity	Contains Item(s)	Remarks
	1116 893 4800	Installing tool	1		

Press sleeve

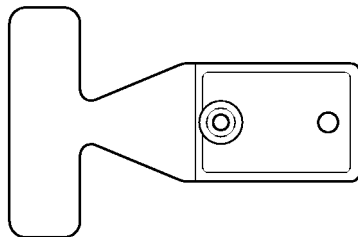


901SW124 GM

Press sleeve

#	Part Number	Description	Quantity	Contains Item(s)	Remarks
	1121 893 2400	Press sleeve	1		

Setting gauge

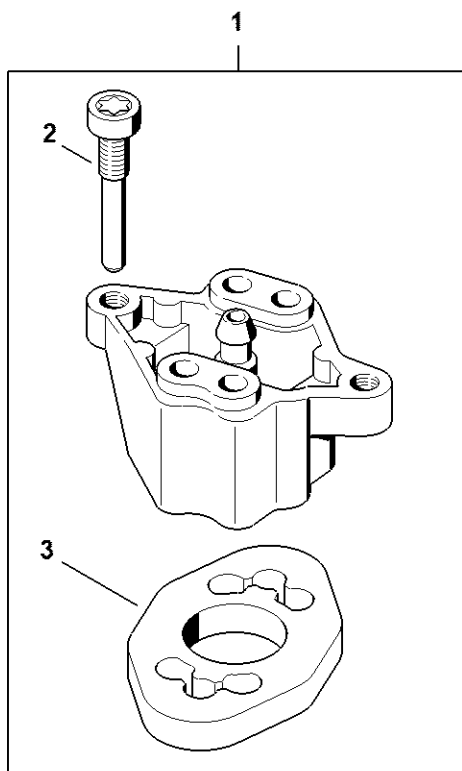


901 SW138 GM

Setting gauge

#	Part Number	Description	Quantity	Contains Item(s)	Remarks
	1127 890 6400	Setting gauge	1		

Flange

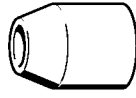


5910-GET-0183-A1

Flange

#	Part Number	Description	Quantity	Contains Item(s)	Remarks
1	5910 850 4207	Flange	1	2, 3	
2	1128 855 9000	Screw M5x30	1		
3	5910 851 9901	Gasket	1		

Installing sleeve

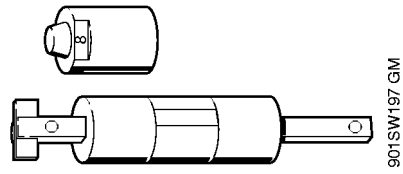


901SW167 GM

Installing sleeve

#	Part Number	Description	Quantity	Contains Item(s)	Remarks
	4119 893 4600	Installing sleeve	1		

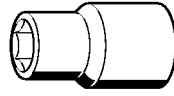
Installing tool, 8



Installing tool, 8

#	Part Number	Description	Quantity	Contains Item(s)	Remarks
	5910 890 2208	Installing tool, 8	1		
	5910 893 1708	Sleeve	1		

Socket, 13 mm

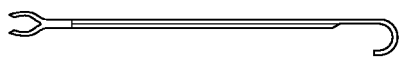


901SW217 GM

Socket, 13 mm

#	Part Number	Description	Quantity	Contains Item(s)	Remarks
	5910 893 5608	Socket, 13 mm	1		

Assembly hook

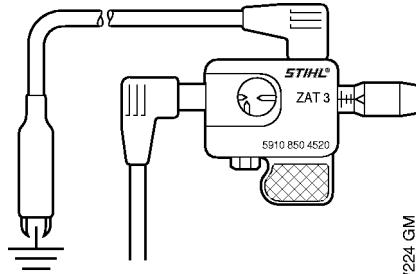


901SW221 GM

Assembly hook

#	Part Number	Description	Quantity	Contains Item(s)	Remarks
	5910 893 8800	Assembly hook	1		

Ignition system tester, ZAT 3

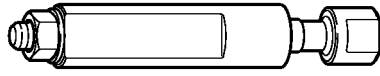


901 SW224 GM

Ignition system tester, ZAT 3

#	Part Number	Description	Quantity	Contains Item(s)	Remarks
	5910 850 4520	Ignition system tester, ZAT 3	1		

Installing tool

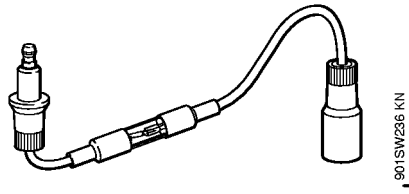


901SW234 KN

Installing tool

#	Part Number	Description	Quantity	Contains Item(s)	Remarks
	5910 890 2204	Installing tool	1		

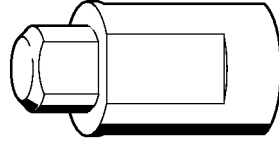
Ignition system tester, ZAT 4



Ignition system tester, ZAT 4

#	Part Number	Description	Quantity	Contains Item(s)	Remarks
	5910 850 4503	Ignition system tester, ZAT 4	1		

Sleeve

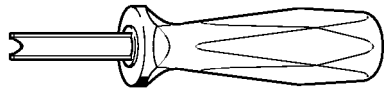


901SW268 KN

Sleeve

#	Part Number	Description	Quantity	Contains Item(s)	Remarks
	5910 893 1708	Sleeve	1		

Puller

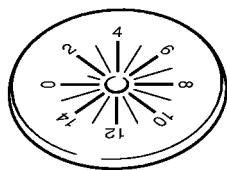


901SW272 KN

Puller

#	Part Number	Description	Quantity	Contains Item(s)	Remarks
	5910 890 4501	Puller	1		

Setting disk

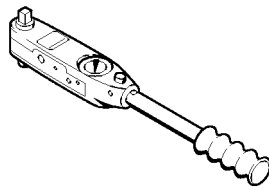


901SW287 KN

Setting disk

#	Part Number	Description	Quantity	Contains Item(s)	Remarks
	5910 893 6600	Setting disk	1		

Torque wrench with optical/acoustic signal

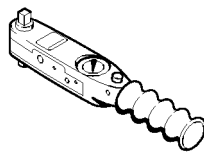


901SW290 KN

Torque wrench with optical/acoustic signal

#	Part Number	Description	Quantity	Contains Item(s)	Remarks
	5910 890 0312	Torque wrench with optical/acoustic signal	1		

Torque wrench with optical/acoustic signal

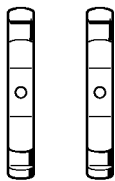


901SW292 KN

Torque wrench with optical/acoustic signal

#	Part Number	Description	Quantity	Contains Item(s)	Remarks
		Torque wrench	1		

Jaw (profile No. 1 and 2)

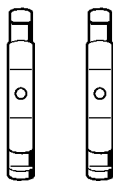


901 SW831 CIM

Jaw (profile No. 1 and 2)

#	Part Number	Description	Quantity	Contains Item(s)	Remarks
	0000 893 3700	Jaw (profile No.1 and 2)	1		

Jaw (profile No. 3.1 and 4)

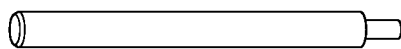


901 SW932 GIM

Jaw (profile No. 3.1 and 4)

#	Part Number	Description	Quantity	Contains Item(s)	Remarks
	0000 893 3706	Jaw (profile No. 3.1 and 4)	1		

Assembly drift

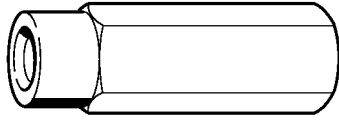


901SW355 GM

Assembly drift

#	Part Number	Description	Quantity	Contains Item(s)	Remarks
	1130 893 4700	Assembly drift	1		

Puller

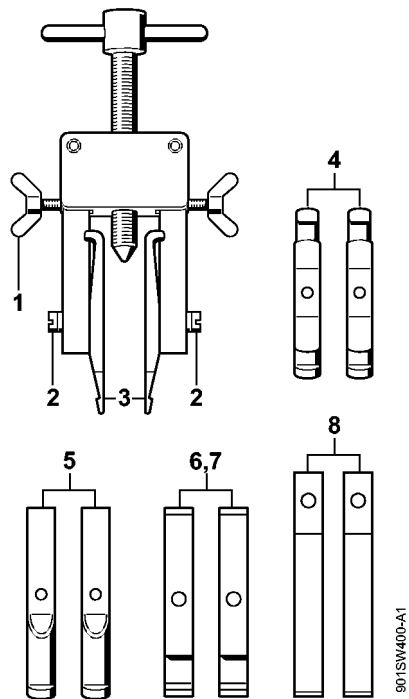


9015W385 KN

Puller

#	Part Number	Description	Quantity	Contains Item(s)	Remarks
	5910 893 0801	Puller	1		

Puller



Puller

#	Part Number	Description	Quantity	Contains Item(s)	Remarks
	5910 890 4400	Puller	1	1 - 8	
1	9157 691 0980	Wing screw M5x16	2		
2	9044 319 0980	Pan head screw M5x16	2		
3	0000 893 3700	Jaw (profile No. 1 and 2)	2		
4	0000 893 3706	Jaw (profile No. 3.1 and 4)	2		
5	0000 893 3711	Jaw (profile No. 6)	2		
6	0000 893 3703	Jaw (profile No. 7)	2		
7	0000 893 3704	Jaw (profile No. 8)	2		
8	0000 893 3707	Jaw (profile No. 9)	2		

Locking strip

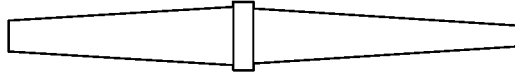


9015W474 SC

Locking strip

#	Part Number	Description	Quantity	Contains Item(s)	Remarks
	0000 893 5904	Locking strip	1		

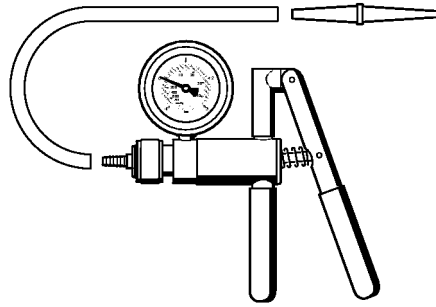
Nipple



9015W496 GM

Nipple

#	Part Number	Description	Quantity	Contains Item(s)	Remarks
	0000 855 9201	Nipple	1		

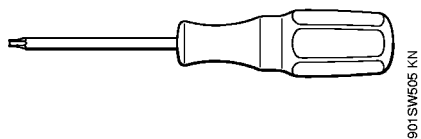


901SW486 GM

Pump

#	Part Number	Description	Quantity	Contains Item(s)	Remarks
	0000 850 1300	Pump	1		
	0000 855 9201	Nipple	1		
	0000 855 0100	Hose	1		

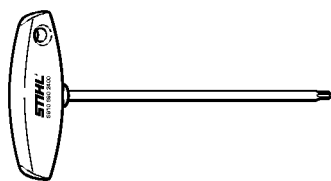
Screwdriver, T8



Screwdriver, T8

#	Part Number	Description	Quantity	Contains Item(s)	Remarks
	5910 890 2310	Screwdriver, T8	1		

Screwdriver, T27x150



901SW575 KN

Screwdriver, T27x150

#	Part Number	Description	Quantity	Contains Item(s)	Remarks
	5910 890 2400	Screwdriver, T27x150	1		